

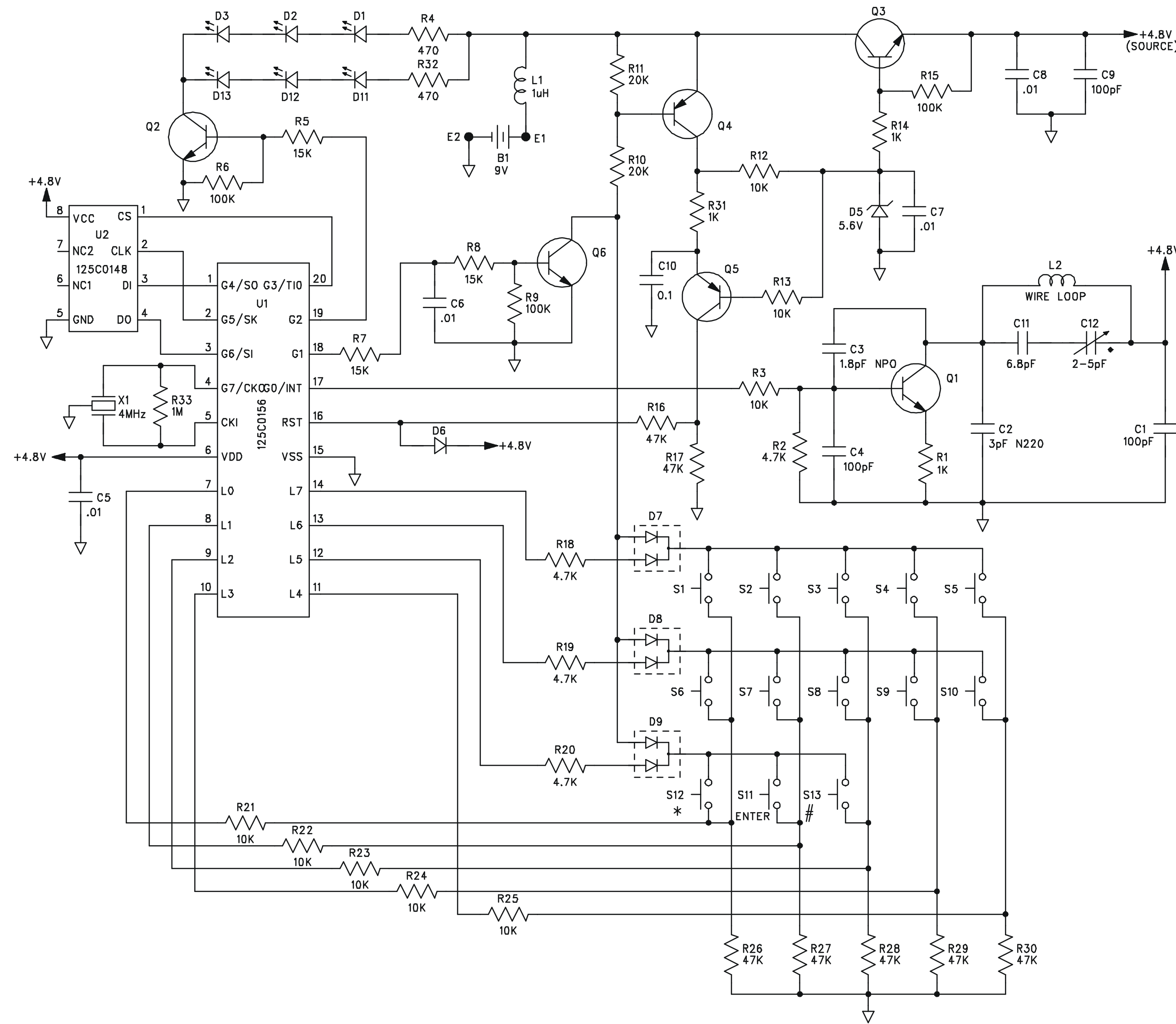
PART NUMBER				195D1396		B
EDM/DATE	BY	APP	REVISION			REV
N-172 21JULY99	BW	BW	RELEASE			A
N-258 18OCT99	BW	BW	C4 WAS 33PF, R1 WAS 750 OHM			B

REFERENCE	PART NUMBER	DESCRIPTION	QTY
C1,C4,C9	030D71020100	CAP SMD0805 100pF 5% NPO	3
C10	030D710522R0	CAP SMD0805 0.1uf 20% X7R	1
C11	030D76800000	CAP SMD0805 6.8pF 5% NPO	1
C12	30B0444	CAPACITOR, VARIABLE BOT ADJ	1
C2	030D73000020	CAP SMD0805 3.0pF 5% N220	1
C3	030D71803000	CAP SMD0805 1.8pF 5% NPO	1
C5-8	030D710422R0	CAP SMD0805 0.01uF 20% X7R	4
D1-3 D11-13	52B0074	DIODE, LED T1 YELLOW	6
D5	52B0107	DIODE, SMD ZENER 5.6V	1
D6	52B0065	DIODE, SMD SIGNAL	1
D7-9	52B0070	DIODE, SMD DUAL COMMON CATHODE	3
E1-2	23B0099	BATTERY CLIP	1
L1	40A0104	INDUCTOR, RF CHOKE 1uH SMD	1
L2	40A0117	WIRE LOOP	1
N1	14D0568	PC BOARD	1
Q1	207C0074	TRANSISTOR, SMD NPN RF	1
Q2-3 Q6	207C0073	TRANSISTOR, SMD NPN SWITCH	3
Q4-5	207C0069	TRANSISTOR, SMD PNP SWITCH	2
R1,R14,R31	311C1025	RES SMD0805 1.0K5%	3
R10-11	311C2035	RES SMD0805 20K 5%	2
R16-17 R26-30	311C4735	RES SMD0805 47K 5%	7
R2 R18-20	311C4725	RES SMD0805 4.7K 5%	4
R3 R12-13 R21-25	311C1035	RES SMD0805 10K 5%	8
R33	311C1055	RES SMD0805 1.0M 5%	1
R4 R32	311C4715	RES SMD0805 470 5%	2
R5 R7-8	311C1535	RES SMD0805 15K 5%	3
R6 R9 R15	311C1045	RES SMD0805 100K 5%	3
U1	125C0156	SOIC, ROLL CODE KEYLESS ENTRY	1
U2	125C0148	SOIC, ELECT. ERASABLE PROM 3V	1
X1	33B0039	RESONATOR, CERAMIC 4MHz	1

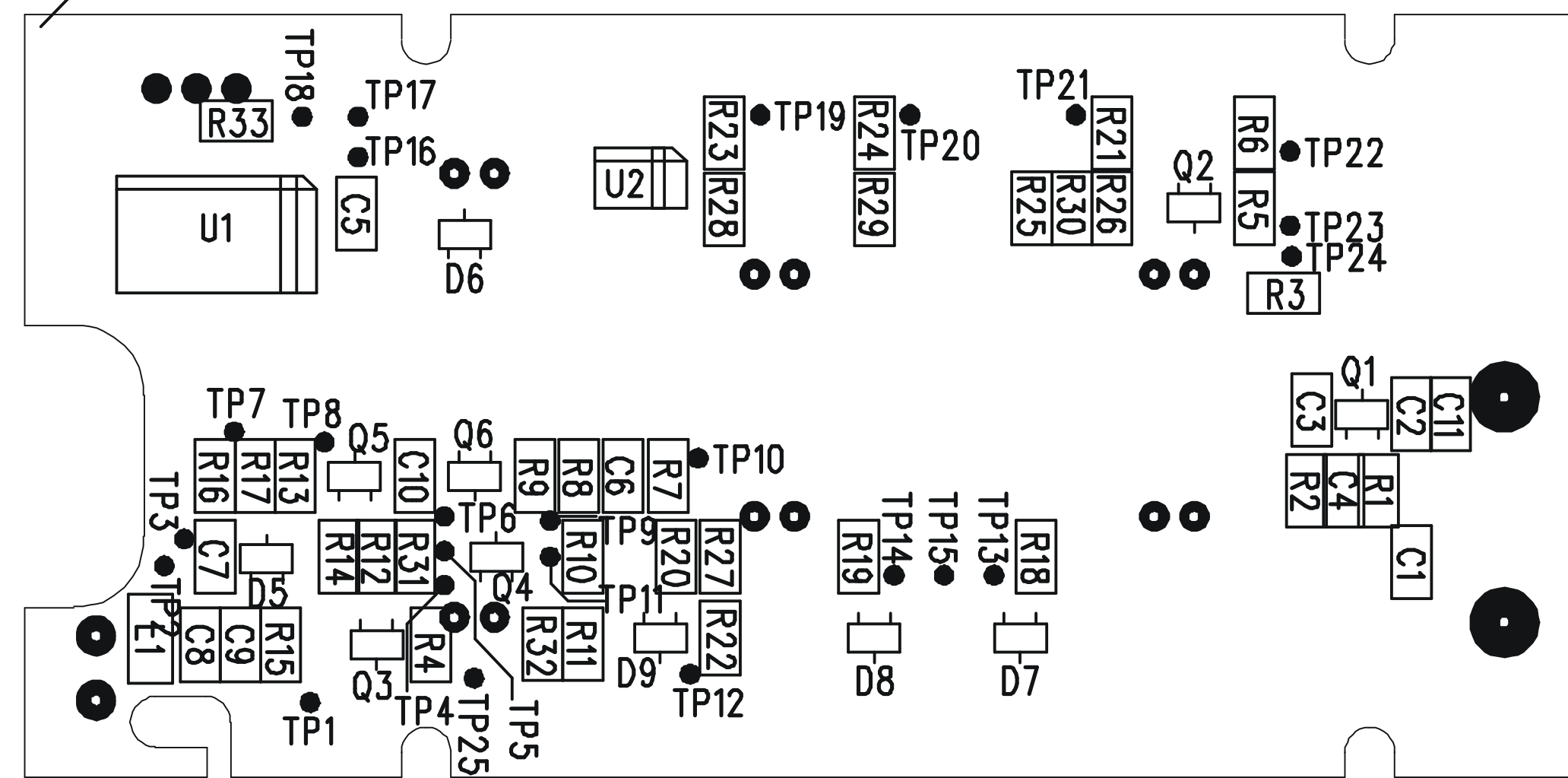
NOTES:

- ALL LEADED COMPONENTS TO BE INSERTED TO WITHIN 0.020" OF BODY OR PREFORM LIMITS.
- REFERENCE DOCUMENTS:  
TEST SPEC.: 190A0438
- PRECAUTIONS MUST BE TAKEN TO PREVENT FINGER OIL OR OTHER FILMS FROM BEING DEPOSITED ON THE CARBON ELECTRODES DURING HANDLING AND ASSEMBLY.
- ROUTE WIRES OF BATTERY CLIP E1/E2 THROUGH SLOT IN PCB AFTER WAVESOLDER.
- TO ENSURE PROPER TUNING RANGE "L2" MUST BE INSERTED WITHIN .010th AND PERPENDICULAR TO PCB BY 5 DEGREES.

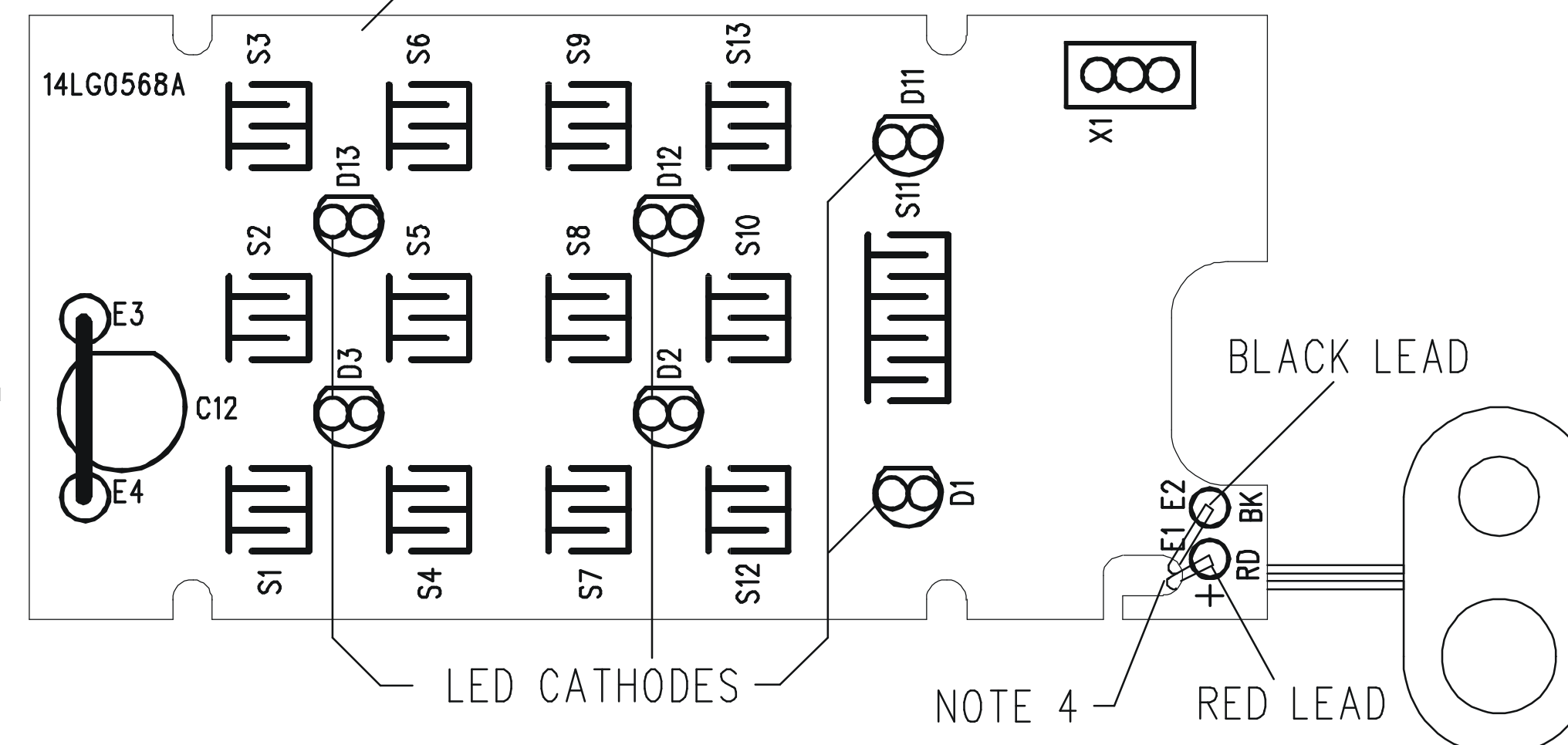
USAGE CHART ROLLING CODE	
LIFT MASTER	001A5332
SEARS	001A5332-1



① SOLDER SIDE



① COMPONENT SIDE



COMPONENT SIDE LEGEND

**CONFIDENTIAL**  
THIS DRAWING AND/OR THE INFORMATION CONTAINED HEREIN IS AND REMAINS THE SOLE PROPERTY OF, AND IS PROPRIETARY TO, THE CHAMBERLAIN GROUP, INC. (CHAMBERLAIN). THIS DRAWING AND/OR INFORMATION SHALL BE KEPT CONFIDENTIAL AND MAY NOT BE REPRODUCED, COPIED, MODIFIED, DISCLOSED, TRANSFERRED, OR MADE AVAILABLE TO OTHERS, EXCEPT WITH THE WRITTEN CONSENT OF CHAMBERLAIN. THIS DRAWING AND/OR ALL COPIES, IF ANY, ARE SUBJECT TO RETURN TO CHAMBERLAIN.

THIS IS A COMPUTER GENERATED DRAWING  
DO NOT CHANGE THIS DOCUMENT WITHOUT  
UPDATING THE COMPUTER DATA BASE.

DO NOT SCALE DRAWING	
TOLERANCE UNLESS OTHERWISE SPECIFIED	FINISH
+ .010 .000 DECIMAL	
+ .005 .000 DECIMAL	
+ .164 ON FRACTIONS	
+ .30" ON ANGLES	
+ .003 ON HOLES	
THIS COPY ISSUED:	
DRAWN BY MF	DATE 26SEP96
CHECKED JC	DATE 10/23/96
APPROVED JPJ	DATE 9/26/96

<b>CHAMBERLAIN</b> CONSUMER PRODUCTS GROUP A UNIT OF DUCHOSSAIS INDUSTRIES, INC.	
NAME	ASSY PCB, CHANGE PLUS KEYLESS ENTRY ROLLING CODE
MATERIAL	
SCALE	
PART NUMBER	195D1396
REV	B