

Adjustments

Introduction

WARNING

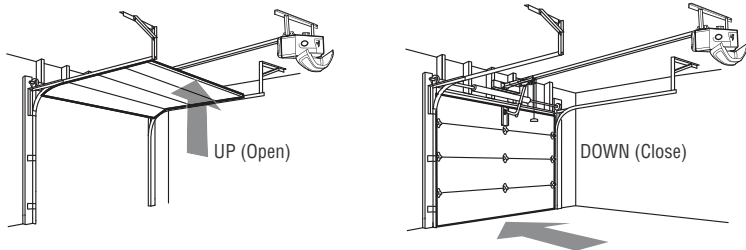
Without a properly installed safety reversal system, persons (particularly small children) could be **SERIOUSLY INJURED** or **KILLED** by a closing garage door.

- Incorrect adjustment of garage door travel limits will interfere with proper operation of safety reversal system.
- After ANY adjustments are made, the safety reversal system **MUST** be tested. Door **MUST** reverse on contact with 1-1/2" (3.8 cm) high object (or 2x4 laid flat) on floor.

CAUTION

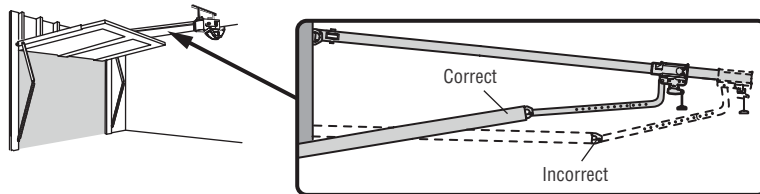
To prevent damage to vehicles, be sure fully open door provides adequate clearance.

Your garage door opener is designed with electronic controls to make setup and adjustments easy.



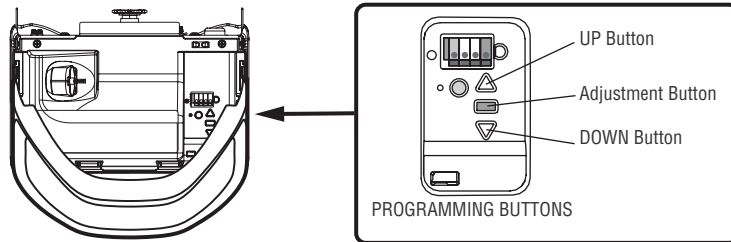
ONE-PIECE DOORS ONLY

When setting the UP travel for a one-piece door ensure that the door does not slant backwards when fully open (UP). If the door is slanted backwards this will cause unnecessary bucking and/or jerking when the door is opening or closing.



PROGRAMMING BUTTONS

The programming buttons are located on the left side panel of the garage door opener and are used to program the travel. While programming, the UP and DOWN buttons can be used to move the door as needed.



Adjustments

1 Program the Travel

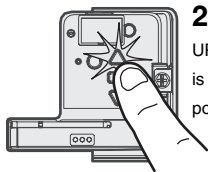
WARNING

Without a properly installed safety reversal system, persons (particularly small children) could be SERIOUSLY INJURED or KILLED by a closing garage door.

- Incorrect adjustment of garage door travel limits will interfere with proper operation of safety reversal system.
- After ANY adjustments are made, the safety reversal system **MUST** be tested. Door **MUST** reverse on contact with 1-1/2" (3.8 cm) high object (or 2x4 laid flat) on floor.

Note: While programming, the UP and DOWN buttons can be used to move the door as needed.

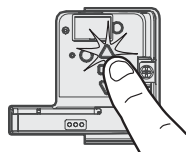
1 Press and hold the Adjustment Button until the UP Button begins to flash and/or a beep is heard. The Safety Reversing Sensors will be disconnected during the Program the Travel process.



2 Press and hold the UP Button until the door is in the desired UP position.



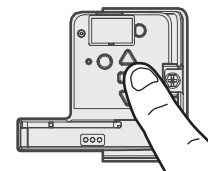
3 Once the door is in the desired UP position press and release the Adjustment Button. The garage door opener lights will flash twice and the DOWN Button will begin to flash.



4 Press and hold the DOWN Button until the door is in the desired DOWN position.



5 Once the door is in the desired DOWN position press and release the Adjustment Button. The garage door opener lights will flash twice. Program the Travel is now complete. If the garage door opener lights flash 5 times, then programming has timed out and the Travel Limits have not been set. Please restart the Program the Travel process.



2 Automatic Force Set Up

Once both the up and down positions have been manually set, the Safety Reversing Sensors will reconnect and become operational. Then, the opener will enter a force-sensing operation by automatically moving the door to open and close. The garage door opener will sound an audible and visual alert before automatically opening and closing the door. The garage door opener will beep three times, confirming that the Automatic Force Setup completed successfully. Adjustment is complete.

If you hear one long beep after the door attempts to move, then the Automatic Force Set Up has not completed successfully. Please start over at step 1 of Program the Travel.



Adjustments

3 Test the Safety Reversal System

WARNING

Without a properly installed safety reversal system, persons (particularly small children) could be SERIOUSLY INJURED or KILLED by a closing garage door.

- Safety reversal system MUST be tested every month.
- After ANY adjustments are made, the safety reversal system MUST be tested. Door MUST reverse on contact with 1-1/2" (3.8 cm) high object (or 2x4 laid flat) on the floor.

- 1 With the door fully open, place a 1-1/2 inch (3.8 cm) board (or a 2x4 laid flat) on the floor, centered under the garage door.



- 2 With the door fully open, place a 1-1/2 inch (3.8 cm) board (or a 2x4 laid flat) on the floor, centered under the garage door.



If the door stops but does not reverse:

1. Repeat Program the Travel (see Adjustment Step 1);
2. Repeat the Safety Reversal test.

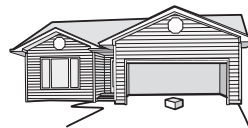
If the test continues to fail, call a trained door systems technician.

4 Test the Protector System®

WARNING

Without a properly installed safety reversing sensor, persons (particularly small children) could be SERIOUSLY INJURED or KILLED by a closing garage door.

- 1 Open the door. Place an obstruction in the path of the door.



- 2 Press the remote control push button to close the door. The door will not move more than an inch (2.5 cm).



The garage door opener will not close from a remote control if the LED in either safety reversing sensor is off (alerting you to the fact that the sensor is misaligned or obstructed).

If the garage door opener closes the door when the safety reversing sensor is obstructed (and the sensors are no more than 6 inches [15 cm] above the floor), call for a trained door systems technician.

myQ® App Control

Connect With Your Smartphone*

YOU WILL NEED:

- Wi-Fi® enabled smartphone, tablet or laptop
- Broadband Internet connection
- Wi-Fi® signal in the garage (2.4 GHz, 802.11b/g/n required), see page 5
- Password for your home network (router's main account, not guest network)
- myQ® serial number located on the garage door opener

DOWNLOAD THE myQ® APP TO SET UP AN ACCOUNT AND CONNECT

Open and close your door, get alerts and set schedules from anywhere. Connected smart garage door openers also receive software updates to ensure the opener has the latest operational features.

The garage door opener must run through a complete cycle before it will activate Wi-Fi® programming.

1. Download the myQ® App.
2. Set up an account and connect.

If you already have the myQ® App installed:

1. Check that your mobile device has the latest software.
2. Download the latest version of the myQ® App.



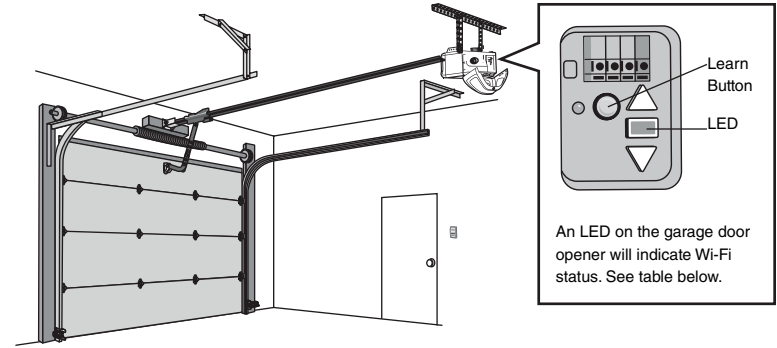
For more information on connecting your garage door opener, visit support.chamberlaingroup.com.

NOTES:

To erase the Wi-Fi® settings from the opener, see page 39.

Google Play and the Google Play logo are trademarks of Google LLC.
App Store and the Apple and App Store logos are trademarks of Apple Inc.

*Smartphone control is not available on models C2102C and D2101C.



Wi-Fi Status	
LED	Definition
Blue	Off - Wi-Fi® is not turned on. Blinking - Garage door opener is in Wi-Fi® learn mode. Solid - Mobile device connected to the garage door opener.
Blue and Green	Blinking - Attempting to connect to router.
Green	Blinking - Attempting to connect to the Internet server. Solid - Wi-Fi® has been set up and garage door opener is connected to the Internet.

IMPORTANT SAFETY INSTRUCTIONS



To reduce the risk of SEVERE INJURY or DEATH:

1. READ AND FOLLOW ALL WARNINGS AND INSTRUCTIONS.
2. ALWAYS keep remote controls out of reach of children. NEVER permit children to operate or play with garage door control push buttons or remote controls.
3. ONLY activate garage door when it can be seen clearly, it is properly adjusted, and there are no obstructions to door travel.
4. ALWAYS keep garage door in sight and away from people and objects until completely closed. NO ONE SHOULD CROSS THE PATH OF THE MOVING DOOR.
5. NO ONE SHOULD GO UNDER A STOPPED, PARTIALLY OPENED DOOR.
6. If possible, use emergency release handle to disengage trolley ONLY when garage door is CLOSED. Use caution when using this release with the door open. Weak or broken springs or unbalanced door could result in an open door falling rapidly and/or unexpectedly and increasing the risk of SEVERE INJURY or DEATH.
7. NEVER use emergency release handle unless garage doorway is clear of persons and obstructions.
8. NEVER use handle to pull garage door open or closed. If rope knot becomes untied, you could fall.
9. After ANY adjustments are made, the safety reversal system MUST be tested.
10. Safety reversal system MUST be tested every month. Garage door MUST reverse on contact with 1-1/2" (3.8 cm) high object (or a 2x4 laid flat) on the floor. Failure to adjust the garage door opener properly increases the risk of SEVERE INJURY or DEATH.
11. ALWAYS KEEP GARAGE DOOR PROPERLY BALANCED (see page 3). An improperly balanced door may NOT reverse when required and could result in SEVERE INJURY or DEATH.
12. ALL repairs to cables, spring assemblies and other hardware, ALL of which are under EXTREME tension, MUST be made by a trained door systems technician.
13. ALWAYS disconnect electric power to garage door opener BEFORE making ANY repairs or removing covers.
14. This operator system is equipped with an unattended operation feature. The door could move unexpectedly. NO ONE SHOULD CROSS THE PATH OF THE MOVING DOOR.
15. DO NOT install on a one-piece door if using devices or features providing unattended close. Unattended devices and features are to be used ONLY with sectional doors.

16. SAVE THESE INSTRUCTIONS.

Using your Garage Door Opener

The garage door opener can be activated through a wall-mounted door control, remote control, wireless keyless entry or myQ® App.

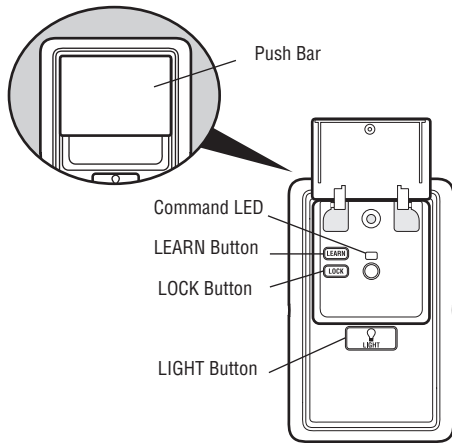
When the door is closed and the garage door opener is activated the door will open. If the door makes contact with an obstruction while opening, the door will stop, opener beeps and lights flash 5 times. When the door is in any position other than closed and the garage door opener is activated, the door will close. If the garage door makes contact with an obstruction while closing, the door will reverse, opener beeps and lights flash 5 times. However, you can close the door if you hold the button on the door control or keyless entry until the door is fully closed.

The safety reversing sensors do not affect the opening cycle. The safety reversing sensor must be connected and aligned correctly before the garage door opener will move in the down direction.

The garage door opener lights will turn on when the opener is initially plugged in, the opener is activated, or power is restored after interruption. The garage door opener lights automatically turn off after a set length of time. To adjust the light settings, see *Using your Door Control*.

Operation

Using your Door Control MULTI-FUNCTION CONTROL PANEL



SYNCHRONIZE THE DOOR CONTROL: To synchronize the door control to the garage door opener, press the push bar until the garage door opener activates (it may take up to 3 presses). Test the door control by pressing the push bar; each press of the push bar will activate the garage door opener.
PUSH BAR: Press the push bar to open or close the door.
LEARN BUTTON: Use to program compatible remote controls, wireless keyless entries and myQ® devices to the garage door opener.

LOCK: Prevents remote controls from working, while still allowing activation from the door control and keyless entry. (Factory setting is OFF.)

Turn ON:

Press and hold the LOCK button for 2 seconds. The command LED will flash as long as the lock feature is on.

Turn OFF:

Press and hold the LOCK button for 2 seconds. The command LED will stop flashing and normal operation will resume.

LIGHT BUTTON: Turns the garage door opener lights on or off when pressed. Lights stay on for 4-1/2 minutes (factory setting). The LIGHT button will not control the lights when the door is in motion.

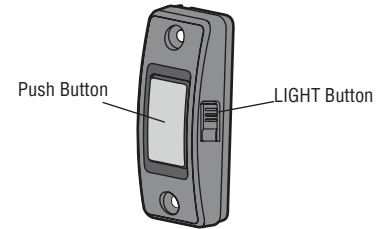
To change the amount of time the lights stay on:

Press and hold the LOCK button (approximately 10 seconds) until the garage door opener lights flash. The time interval is indicated by the number of times the garage door opener lights flash:

- 1 flash is 1-1/2 minutes
- 2 flashes is 2-1/2 minutes
- 3 flashes is 3-1/2 minutes
- 4 flashes is 4-1/2 minutes

To cycle through the time intervals repeat the step above. If the push bar LED is continuously blinking, the LOCK feature needs to be turned off.

PUSH BUTTON DOOR CONTROL



SYNCHRONIZE THE DOOR CONTROL: To synchronize the door control to the garage door opener, press the push button until the garage door opener activates (it may take up to 3 presses).

PUSH BUTTON: Press the LIGHT button to turn the garage door opener lights on or off. When the lights are turned on they will stay on until the LIGHT button is pressed again, or until the garage door opener is activated. Once the garage door opener is activated the lights will turn off after the specified period of time (the factory setting is 4-1/2 minutes). The LIGHT button will not control the lights when the door is in motion.

Operation

Remote Control and Keyless Entry

PRE-PROGRAMMED REMOTE CONTROL INCLUDED, NO NEED TO PROGRAM THE REMOTE.

To add or reprogram a remote control, follow the instructions below. Older Chamberlain remote controls are NOT compatible.

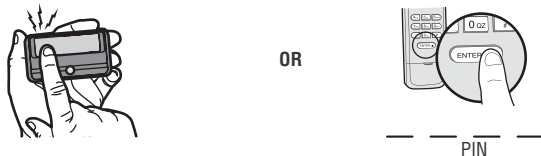
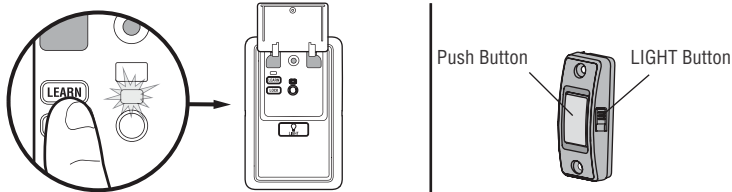
PROGRAM USING THE MULTI-FUNCTION CONTROL PANEL

1. Press the LEARN button on the door control to enter programming mode. The command LED will flash once.
2. Press the LEARN button again, the command LED will flash once again.
3. **Remote Control:** Press the button on the remote control that you wish to operate your garage door.
Keyless Entry: Enter a 4-digit personal identification number (PIN) of your choice on the keyless entry keypad. Then press the ENTER button.

PROGRAM USING THE PUSH BUTTON DOOR CONTROL

1. Press and hold the light button and the push button until the push button LED begins to blink.
2. **Remote control:** Press the button on the remote control that you wish to operate your garage door.

Keyless entry: Enter a 4-digit personal identification number (PIN) of your choice on the keyless entry keypad. Then press the ENTER button.

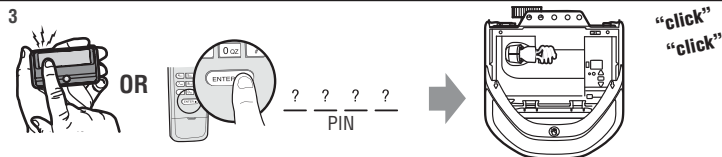
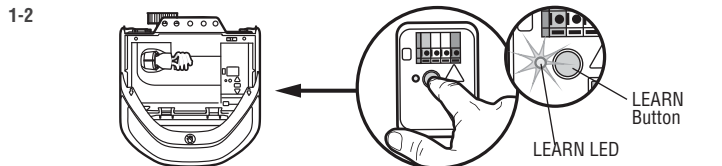


The garage door opener lights will flash (or two clicks will be heard) when the code has been programmed. Repeat the steps for programming additional remote controls or keyless entry devices. If programming is unsuccessful, follow the steps to program using the garage door opener LEARN button.

PROGRAM USING THE GARAGE DOOR OPENER LEARN BUTTON

1. Locate the LEARN Button.
2. Press and immediately release the LEARN button. The LEARN LED will glow steady for 30 seconds. Within 30 seconds...
3. **Remote Control:** Press and hold the button on the remote control that you wish to use. **Keyless Entry:** Enter a 4-digit personal identification number (PIN) of your choice on the keyless entry keypad. Then press and hold the ENTER button.

Release the button when the garage door opener lights blink or two clicks are heard.



HomeLink®

If your vehicle is equipped with HomeLink®, a Compatibility Bridge™ (not included) may be necessary for certain vehicles. Visit bridge.chamberlain.com to find out if a Bridge is needed.

Operation

Erase the Memory

ERASE ALL REMOTE CONTROLS AND KEYLESS ENTRIES

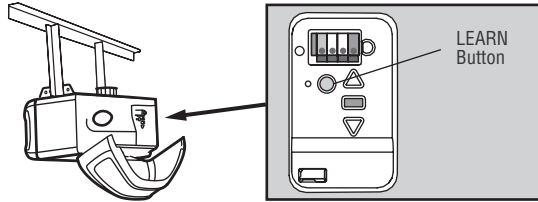
1. Press and hold the LEARN button on garage door opener until the learn LED goes out (approximately 6 seconds). All remote control and keyless entry codes are now erased. Reprogram any accessory you wish to use.

ERASE ALL DEVICES INCLUDING myQ® ENABLED ACCESSORIES

1. Press and hold the LEARN button on garage door opener until the learn LED goes out (approximately 6 seconds).
2. Immediately press and hold the LEARN button again until the learn LED goes out. All codes are now erased. Reprogram any accessory you wish to use.

ERASE THE CONNECTION FROM GARAGE DOOR OPENER TO HOME WI-FI® NETWORK

1. Press and hold the black adjustment button on the garage door opener until 3 beeps are heard (Approximately 6 seconds).



To Open the Door Manually

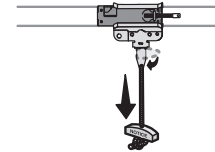
WARNING

To prevent possible **SERIOUS INJURY** or **DEATH** from a falling garage door:

- If possible, use emergency release handle to disengage trolley **ONLY** when garage door is **CLOSED**. Weak or broken springs or unbalanced door could result in an open door falling rapidly and/or unexpectedly.
- **NEVER** use emergency release handle unless garage doorway is clear of persons and obstructions.
- **NEVER** use handle to pull door open or closed. If rope knot becomes untied, you could fall.

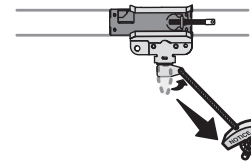
DISCONNECT THE TROLLEY

1. The door should be fully closed if possible.
2. Pull down on the emergency release handle so the trolley release arm snaps to the vertical position. The door can now be raised and lowered as often as necessary.



TO RE-CONNECT THE TROLLEY

1. Pull the emergency release handle toward the garage door opener so the trolley release arm snaps to the horizontal position. The trolley will reconnect on the next UP or DOWN operation, either manually or by using the door control or remote control.



Maintenance

Maintenance Schedule

EVERY MONTH

- Manually operate door. If it is unbalanced or binding, call a trained door systems technician.
- Check to be sure door opens and closes fully. Adjust if necessary, see page 33.
- Test the safety reversal system. Adjust if necessary, see page 35.

EVERY YEAR

- Oil door rollers, bearings and hinges. The garage door opener does not require additional lubrication. Do not grease the door tracks.
- Test the battery backup and consider replacing the battery to ensure the garage door opener will operate during an electrical power outage, see page 36 to test the battery backup.

The Remote Control Battery



To prevent possible **SERIOUS INJURY** or **DEATH**:

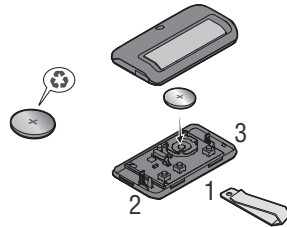
- NEVER allow small children near batteries.
- If battery is swallowed, immediately notify doctor.

To reduce risk of fire, explosion or chemical burn:

- Replace **ONLY** with 3V CR2032 coin batteries.
- **DO NOT** recharge, disassemble, heat above 212°F (100°C) or incinerate.

The 3V CR2032 Lithium battery should produce power for up to 3 years. If the battery is low, the remote control's LED will not flash when the button is pressed.

To replace battery, pry open the case first in the middle (1), then at each side (2 and 3) with the visor clip. Replace the batteries with only 3V CR2032 coin cell batteries. Insert battery positive side up. Dispose of old batteries properly.



NOTICE: This device complies with part 15 of the FCC rules and Innovation, Science and Economic Development Canada license-exempt RSSs. Operation is subject to the following two conditions: (1) this device may not cause harmful interference, and (2) this device must accept any interference received, including interference that may cause undesired operation.

Any changes or modifications not expressly approved by the party responsible for compliance could void the user's authority to operate the equipment.

This device must be installed to ensure a minimum 20 cm (8 in.) distance is maintained between users/ bystanders and device.

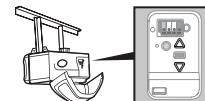
This device has been tested and found to comply with the limits for a Class B digital device, pursuant to part 15 of the FCC rules and Industry Canada ICES standard. These limits are designed to provide reasonable protection against harmful interference in a residential installation. This equipment generates, uses and can radiate radio frequency energy and, if not installed and used in accordance with the instructions, may cause harmful interference to radio communications. However, there is no guarantee that interference will not occur in a particular installation. If this equipment does cause harmful interference to radio or television reception, which can be determined by turning the equipment off and on, the user is encouraged to try to correct the interference by one or more of the following measures:



- Reorient or relocate the receiving antenna.
- Increase the separation between the equipment and receiver.
- Connect the equipment into an outlet on a circuit different from that to which the receiver is connected.
- Consult the dealer or an experienced radio/TV technician for help.

Troubleshooting

Diagnostic Chart

Your garage door opener is programmed with self-diagnostic capabilities. The UP and DOWN arrows on the garage door opener flash the diagnostic codes.



DIAGNOSTIC CODE SYMPTOM		SOLUTION
 Flashes	 Flashes	
1	1	The garage door opener will not close. Safety reversing sensors are not installed, connected, or wires may be cut. Inspect sensor wires for a disconnected or cut wire.
1	2	The garage door opener will not close. There is a short or reversed wire for the safety reversing sensors. Inspect safety sensor wire at all staple and connection points, replace wire or correct as needed.
1	3	The door control will not function. The wires for the door control are shorted or the door control is faulty. Inspect door control wires at all staple and connection points, replace wire or correct as needed.
1	4	The garage door opener will not close. Safety reversing sensors are misaligned or were momentarily obstructed. Realign both sensors until both LEDs are glowing steady. Make sure nothing is hanging or mounted on the door that would interrupt the sensor's path while closing.
1	5	Door moves 6-8" (15-20 cm) stops or reverses. Manually open and close the door. Check for binding or obstructions, such as a broken spring or door lock, correct as needed. Check wiring connections at travel module and at the logic board. Replace travel module if necessary.
		No movement, only a single click. Manually open and close the door. Check for binding or obstructions, such as a broken spring or door lock, correct as needed. Replace logic board if necessary.
		Opener hums for 1-2 seconds no movement. Manually open and close the door. Check for binding or obstructions, such as a broken spring or door lock, correct as needed. Replace motor if necessary.
1	6	Door coasts after it has come to a complete stop. Program travel to coasting position or have door balanced by a trained door systems technician.
2	1-5	No movement, or sound. Replace logic board.
3	2	Unable to set the travel or retain position. Check travel module for proper assembly, replace if necessary.
3	3	The battery status LED is constantly flashing green. Battery backup charging circuit error, replace the logic board.
4	1-4	Door is moving, stops or reverses. Opener beeps and lights flash. Manually open and close the door. Check for binding or obstructions, such as a broken spring or door lock, correct as needed. If the door is binding or sticking contact a trained door systems technician. If door is not binding or sticking attempt to reprogram travel, see Program the Travel page 31.
4	5	Opener runs approximately 6-8" (15-20 cm), stops and reverses. Communication error to travel module. Check travel module connections, replace travel module if necessary.
4	6	The garage door opener will not close. Safety reversing sensors are misaligned or were momentarily obstructed. Realign both sensors to ensure both LEDs are steady and not flickering. Make sure nothing is hanging or mounted on the door that would interrupt the sensor's path while closing.

Troubleshooting

Additional Troubleshooting

My garage door opener beeps and flashes its lights before door closes:

- Garage door opener has been activated through a device or feature such as Timer-to-Close or garage door monitor.

My garage door opener stops, reverses, beeps and flashes its lights:

- Check for binding or obstructions anywhere along the track to garage floor.

My remote control will not activate the garage door:

- Verify the lock feature is not activated on the door control.
- Reprogram the remote control.
- If the remote control will still not activate the door check the diagnostic codes to ensure the garage door opener is working properly.

My door will not close

The safety reversing sensor must be connected and aligned correctly before the garage door opener will move in the down direction.

- Check for binding or obstructions anywhere along the track to garage floor.
- The safety reversing sensor must be connected and aligned correctly before the garage door opener will move in the down direction.
 - Verify the safety reversing sensors are properly installed, aligned and free of any obstructions.
 - If the receiving sensor (green LED) faces direct sunlight, switch the receiving sensor with the sending sensor so the receiving sensor is not in direct sunlight.

Wi-Fi® troubleshooting

The garage door opener will NOT enter Wi-Fi® learn mode:

- After the initial installation of the garage door opener, the garage door opener must complete a full cycle (open and closed) before the Wi-Fi® learn mode can be activated.
- If there has been a recent power outage, the garage door opener must complete a full cycle before the Wi-Fi® learn mode can be activated.

See page 37 to activate Wi-Fi LEARN mode.

If your black adjustment button is not solid green go to support.chamberlaingroup.com.

My vehicle's Homelink® is not programming to my garage door opener:

Compatibility Bridge (not included) may be necessary for certain vehicles. Visit bridge.chamberlain.com to find out if a Bridge is needed.

My neighbor's remote control opens my garage door:

Erase the memory from your garage door opener and reprogram the remote control(s).

Safety sensor LED lights are not lit:

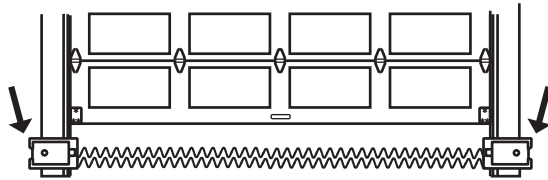
If the sensor LEDs do not glow steadily when the opener is activated, see SAFETY SENSOR TROUBLESHOOTING page 32.

Warranty

Contact Information

STOP!

This garage door opener **WILL NOT work** until the safety reversing sensors are properly installed and aligned.



Visit us online at:

support.chamberlaingroup.com

CHAMBERLAIN® LIMITED WARRANTY

The Chamberlain Group LLC® (“Seller”) warrants to the first retail purchaser of this product, for the residence in which this product is originally installed, that it is free from defects in materials and/or workmanship for a specific period of time as defined below (the “Warranty Period”). The warranty period commences from the date of purchase.

WARRANTY PERIOD			
Motor	Parts	Motor	Accessories
C2405C	1 year	10 years	1 year
D2405C	1 year	6 years	1 year
C2202C	1 year	6 years	1 year
D2101C	1 year	6 years	1 year
C2102C	1 year	6 years	1 year

The proper operation of this product is dependent on your compliance with the instructions regarding installation, operation, and maintenance and testing. Failure to comply strictly with those instructions will void this limited warranty in its entirety. If, during the limited warranty period, this product appears to contain a defect covered by this limited warranty, visit chamberlain.com, before dismantling this product. You will be advised of disassembly and shipping. Then send the product or component, pre-paid and insured, as directed to our service center for warranty repair. Please include a brief description of the problem and a dated proof-of-purchase receipt with any product returned for warranty repair. Products returned to Seller for warranty repair, which upon receipt by Seller are confirmed to be defective and covered by this limited warranty, will be repaired or replaced (at Seller's sole option) at no cost to you and returned pre-paid. Defective parts will be repaired or replaced with new or factory-rebuilt parts at Seller's sole option. [You are responsible for any costs incurred in removing and/or reinstalling the product or any component].

ALL IMPLIED WARRANTIES FOR THE PRODUCT, INCLUDING BUT NOT LIMITED TO ANY IMPLIED WARRANTIES OF MERCHANTABILITY AND FITNESS FOR A PARTICULAR PURPOSE, ARE LIMITED IN DURATION TO THE APPLICABLE LIMITED WARRANTY PERIOD SET FORTH ABOVE FOR THE RELATED COMPONENT(S), AND NO IMPLIED WARRANTIES WILL EXIST OR APPLY AFTER SUCH PERIOD. Some States and Provinces do not allow limitations on how long an implied warranty lasts, so the above limitation may not apply to you. THIS LIMITED WARRANTY DOES NOT COVER NON-DEFECT DAMAGE, DAMAGE CAUSED BY IMPROPER INSTALLATION, OPERATION OR CARE (INCLUDING, BUT NOT LIMITED TO ABUSE, MISUSE, FAILURE TO PROVIDE REASONABLE AND NECESSARY MAINTENANCE, UNAUTHORIZED REPAIRS OR ANY ALTERATIONS TO THIS PRODUCT), LABOR CHARGES FOR REINSTALLING A REPAIRED OR REPLACED UNIT, REPLACEMENT OF CONSUMABLE ITEMS (E.G., BATTERIES IN REMOTE CONTROL TRANSMITTERS AND LIGHT BULBS), OR UNITS INSTALLED FOR NON-RESIDENTIAL USE. THIS LIMITED WARRANTY DOES NOT COVER ANY PROBLEMS WITH, OR RELATING TO, THE GARAGE DOOR OR GARAGE DOOR HARDWARE, INCLUDING BUT NOT LIMITED TO THE DOOR SPRINGS, DOOR ROLLERS, DOOR ALIGNMENT OR HINGES. THIS LIMITED WARRANTY ALSO DOES NOT COVER ANY PROBLEMS CAUSED BY INTERFERENCE. UNDER NO CIRCUMSTANCES SHALL SELLER BE LIABLE FOR CONSEQUENTIAL, INCIDENTAL OR SPECIAL DAMAGES ARISING IN CONNECTION WITH USE, OR INABILITY TO USE, THIS PRODUCT. IN NO EVENT SHALL SELLER'S LIABILITY FOR BREACH OF WARRANTY, BREACH OF CONTRACT, NEGLIGENCE OR STRICT LIABILITY EXCEED THE COST OF THE PRODUCT COVERED HEREBY. NO PERSON IS AUTHORIZED TO ASSUME FOR US ANY OTHER LIABILITY IN CONNECTION WITH THE SALE OF THIS PRODUCT.

Some states and provinces do not allow the exclusion or limitation of consequential, incidental or special damages, so the above limitation or exclusion may not apply to you. This limited warranty gives you specific legal rights, and you may also have other rights, which vary from state to state and province to province.

Automatic Garage Door Opener Safety & Maintenance Guide

Garage Door Opener Safety – An Automatic Decision

A garage door is the largest moving object in the home. An improperly adjusted garage door and opener can exert deadly force when the door closes – which could lead to entrapment of children or adults and subsequent injury or death.

Proper installation, operation, maintenance, and testing of the garage door and automatic opener are necessary to provide a safe, trouble-free system. Careless operation or allowing children to play with or use garage door opener controls are also dangerous situations that can lead to tragic results. A few simple precautions can protect your family and friends from potential harm. Please review the safety and maintenance tips in this guide carefully and keep it for reference. Check the operation of your garage door and opener to ensure they function in a safe and trouble-free manner. Be sure to read all Important Safety Information found in your garage door opener's manual as it provides more details and safety considerations than can be supplied with this guide.

Garage Door Openers are Not Toys

Discuss garage door and opener safety with your children. Explain the danger of being trapped under the door.



Stay away from a moving door.



Keep transmitters and remote controls out of reach of children.

Do not let children play with or use transmitters or other remote control devices.



The wall-mounted push button should be out of reach of children, at least 5 feet from the nearest standing surface and away from all moving parts. Mount and use the button where you can clearly see the closing garage door.



Keep the door in sight until it completely closes when using the wall-mounted push button or transmitter.

Routine Maintenance Can Prevent Tragedies

Make monthly inspection and testing of your garage door and opener system a part of your regular routine. Review your owner's manual for both the door and door opener. If you don't have the owner's manuals, contact the manufacturer(s) and request a copy for your specific model(s). Look for the opener model number on the back of the power unit.

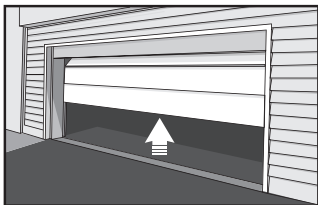


WARNING – SPRINGS ARE UNDER HIGH TENSION. ONLY QUALIFIED INDIVIDUALS SHOULD ADJUST THEM.



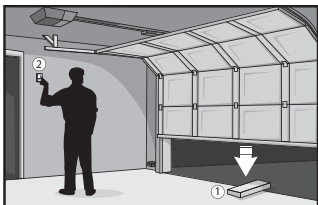
Visually check the door and installation:

- Starting with the door in the closed position, use the manual disconnect on the opener to disconnect the door.
- Look for signs of wear or damage on hinges, rollers, springs, and door panels.
- These parts may require periodic lubrication. Check the owner's manual for suggested maintenance.
- If any signs of damage are evident, contact a trained door systems technician for assistance.
- Verify the photo eye height is no higher than 6" from the garage floor.



Test the door for proper operation:

- Open and close the door manually using handles or suitable gripping points.
- The door should move freely and without difficulty.
- **The door should balance and stay partially open 3–4 feet above the floor.**
- If you detect any signs of improper operation, contact a trained door systems technician for assistance.



Test the opener safety features:

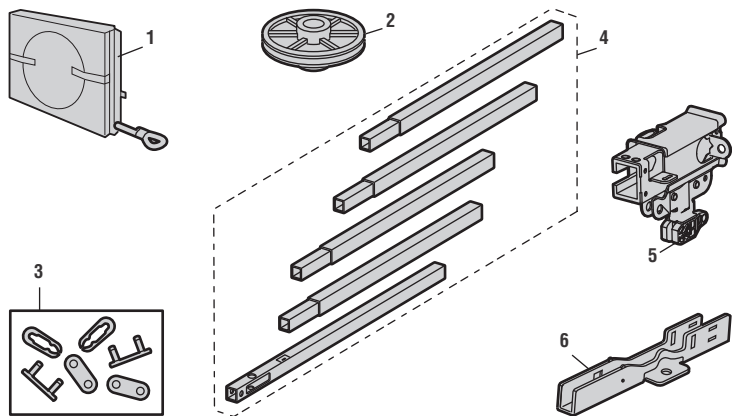
- Reconnect the opener to the door using the manual disconnect and open the door.
- Place a 2x4 board flat in the path of the door (1) and try to close it (2). The door should stop when it comes in contact with the 2x4 and then reverse direction.
- Block the photoelectric sensor by waving an object in front of the sensor and attempt to close the door. The door should not close unless the wall-mounted push button is manually held during operation.
- If the opener does not perform as described, contact a trained door systems technician for assistance.



Repair Parts

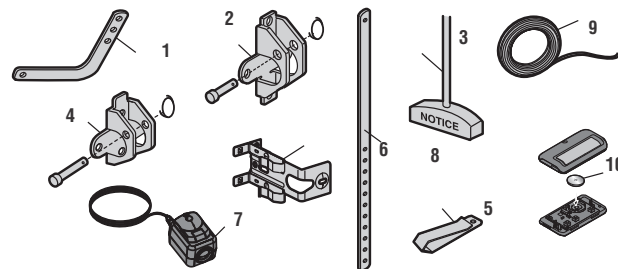
Rail Assembly Parts

Description	Part Number
1 Chain and cable	041A5807
2 Pulley	K144C0056
3 Master link	004A1008
4 Rail	041A5665
5 Trolley assembly: clevis pin (1) and ring (1)	041C5141-1
6 "U" bracket	041D0598-1
Not shown	
Wear pads	041A7276
Hardware bag	041A7920-1



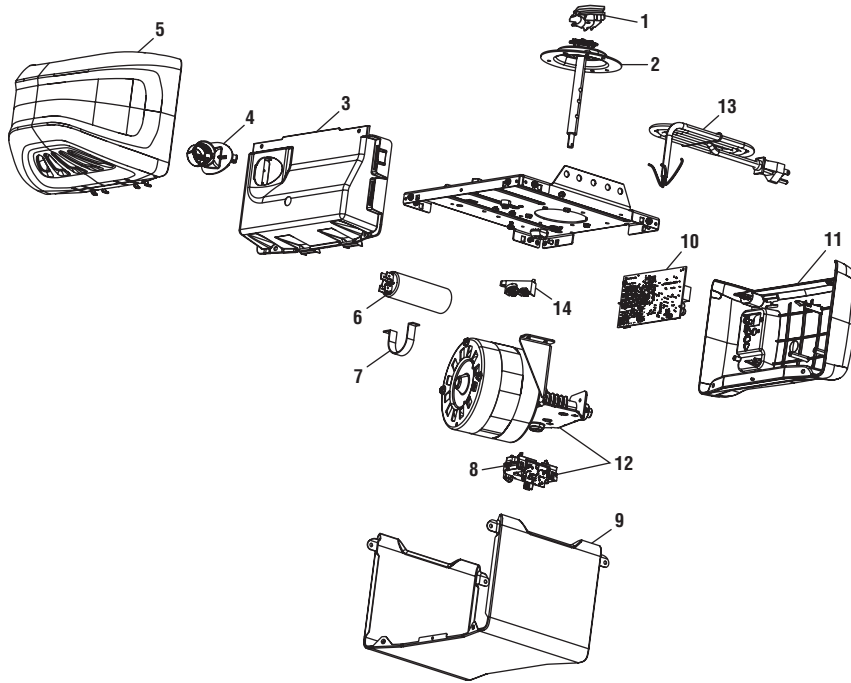
Installation Parts

Description	Part Number
1 Curved door arm	041B0035B
2 Door bracket with clevis pin and fastener	041A5047
3 Emergency release rope and handle	041A2828
4 Header bracket with clevis pin and fastener	041A5047-2
5 Remote control visor clip	K029B0137
6 Safety sensor bracket	041-0155-000
7 Safety sensor kit: receiving and sending sensors with 2-conductor wire	041-0136
8 Straight door arm	4178B0034B
9 White and red/white wire	041B4494-1
10 3V CR2032 lithium battery	K010A0020
Not shown	
Installation Manual	114-5748-010



Repair Parts

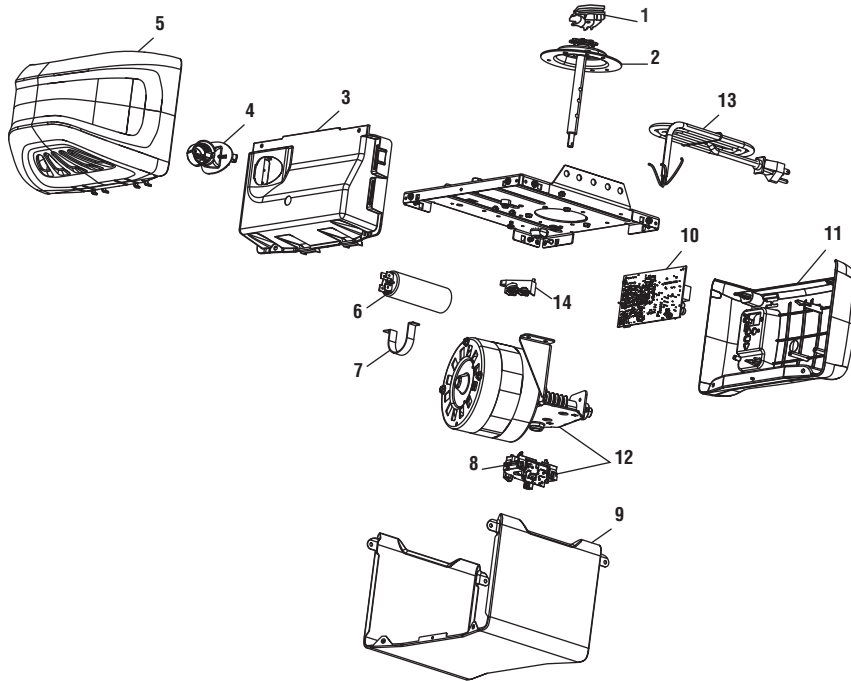
Garage Door Opener Parts - C2102C



Description	Part Number
1 Chain spreader	041A5615
2 Gear and sprocket	041C4220A
3 End panel with light socket	041A7760
4 Light socket	041C0279
5 Light lens	041-0144
6 Capacitor	030B0532-1
7 Capacitor bracket	K012A0373
8 Travel module	041D7742-7
9 Cover	041-0228-000
10 Receiver logic board	045ACTMC
11 Logic board end panel	041DB374
12 Motor with travel module	041D7440
13 Line cord	041B4245-1
14 Terminal block	041A3150
Not shown	
Wire harness	041A7945

Repair Parts

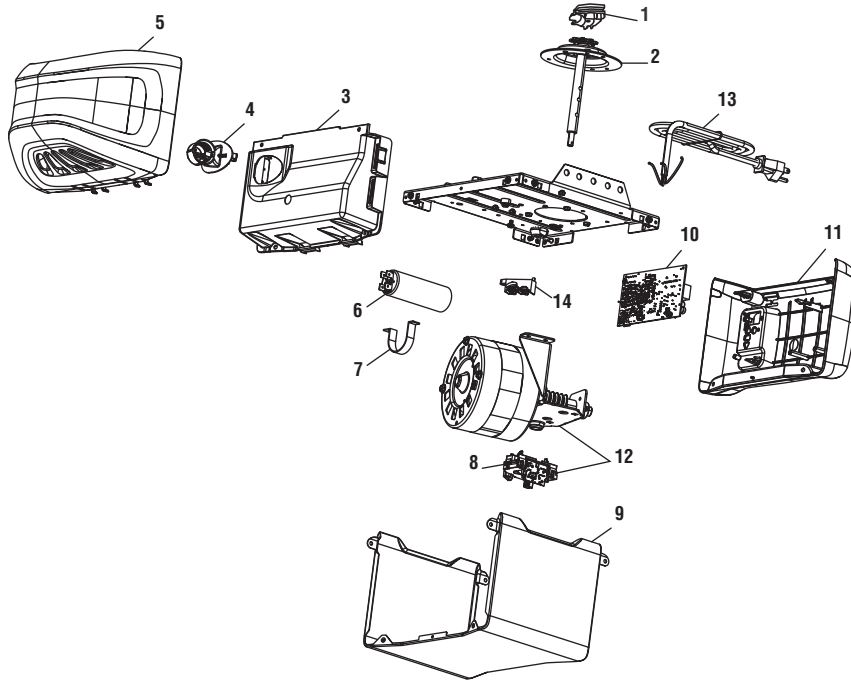
Garage Door Opener Parts C2405C and D2405C



	Description	Part Number
1	Chain spreader	041A5615
2	Gear and sprocket	041C4220A
3	End panel with light socket	041-0037-000
4	Light socket	041C0279
5	Light lens	041-0144
6	Capacitor	030B0532-1
7	Capacitor bracket	K012A0373
8	Travel module	041D7742-7
9	Cover	041-0028-000
10	Logic Board	050ACTBMC
11	End panel for receiver logic board	041-0025-000
12	Motor with travel module	041D7440
13	Line cord	041B4245-1
14	Terminal block	041A3150
	Not shown	
	Wire harness	041A7946

Repair Parts

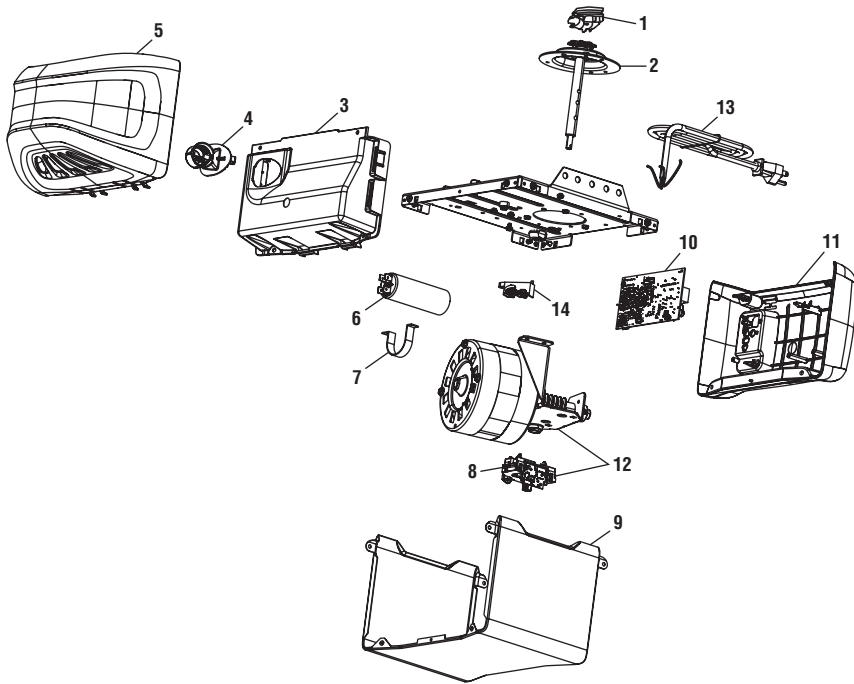
Garage Door Opener Parts - Model C2202C



Description	Part Number
1 Chain spreader	041A5615
2 Gear and sprocket	041C4220A
3 End panel with light socket	041-0037-000
4 Light socket	041C0279
5 Light lens	041-0144
6 Capacitor	030B0532-1
7 Capacitor bracket	K012A0373
8 Travel module	041D7742-7
9 Cover	041-0028-000
10 Logic Board	050ACTBMC
11 End panel for receiver logic board	041-0025-000
12 Motor with travel module	041D7440
13 Line cord	041B4245-1
14 Terminal block	041A3150
Not shown	
Wire harness	041A7946

Repair Parts

Garage Door Opener Parts - Model D2101C



Description	Part Number
1 Chain spreader	041A5615
2 Gear and sprocket	041C4220A
3 End panel with light socket	041D8129
4 Light socket	041C0279
5 Light lens	041-0144
6 Capacitor	030B0532-1
7 Capacitor bracket	K012A0373
8 Travel module	041D7742-7
9 Cover	041-0228-000
10 Logic Board	045ACTMC
11 End panel for receiver logic board	041D8374
12 Motor with travel module	041D7440
13 Line cord	041B4245-1
14 Terminal block	041A3150
Not shown	
Wire harness	041A7945

Manuel d'installation

Ouvre-porte de garage à entraînement par chaîne

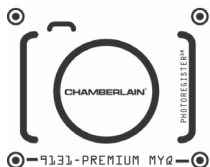
Modèles C2405C • D2405C • C2102C • C2202C • D2101C

USAGE RÉSIDENTIEL UNIQUEMENT

TÉLÉCOMMANDE PRÉPROGRAMMÉE
COMMANDE INCLUSE

Pour enregistrer votre ouvre-porte de garage afin de recevoir des mises à jour et des offres de Chamberlain, visitez Chamberlain.registria.com ou utilisez l'icône ci-dessous :

1. Prenez une photo de l'icône d'appareil photo incluant les points (●).
2. Envoyez-la par SMS au 71403 (États-Unis).



- Veuillez lire attentivement ce manuel et les documents relatifs à la sécurité ci-joints!
- Fixez le manuel près de la porte de garage après l'installation.
- La porte NE SE FERMERA PAS si le Protector System® n'est pas connecté et correctement aligné.
- Des vérifications périodiques de l'ouvre-porte de garage sont nécessaires pour assurer un fonctionnement sûr.
- L'étiquette du numéro de modèle est située sur le panneau arrière de votre ouvre-porte de garage.
- Cet ouvre-porte de garage est compatible avec les accessoires myQ® et Security+ 2.0®.
- N'INSTALLEZ PAS cet appareil sur une porte monobloc si vous utilisez des dispositifs ou des fonctionnalités permettant une fermeture sans surveillance. Les dispositifs et fonctionnalités sans surveillance doivent être utilisés UNIQUEMENT avec des portes sectionnelles.



Téléchargez
l'application myQ®



Available on most iOS and Android Devices

Sommaire

Préparation	3
Assemblage	7
Installation	11
Installation de la commande de la porte	22
Installer le Protector System®	26
Connecter l'alimentation	29
Ajustements	31
Commande de l'application myQ®	34
Connectez-vous avec votre téléphone intelligent	34
Fonctionnement	38
Utilisation de votre ouvre-porte de garage	35
Utilisation de la commande de porte	36
Télécommande et entrée sans clé	37
Home Link®	37
Effacer la mémoire	38
Pour ouvrir la porte manuellement	38
Entretien	39
Dépannage	40
Garantie	42
Guide de sécurité et d'entretien de l'ouvre-porte de garage automatique	43
Pièces détachés	45
Pièces d'assemblage des rails	45
Pièces d'installation	45
Modèle C2102C	46
Modèle C2405C	47
Modèle D2405C	47
Modèle C2202C	48
Modèle D2101C	49

Examen des symboles de sécurité et des notes d'avertissement.

Cet ouvre-porte de garage a été conçu et testé pour offrir un service sûr à condition qu'il soit installé, utilisé, entretenu et testé en stricte conformité avec les instructions et les avertissements de ce manuel.

 **AVERTISSEMENT**

Mécanique

 **AVERTISSEMENT**

Électrique

Lorsque vous voyez ces symboles de sécurité et notes d'avertissement aux pages suivantes, ils vous avertissent du risque de **blessures graves voire mortelles** si vous ne respectez pas les avertissements qu'ils accompagnent. Le danger peut provenir de quelque chose de mécanique ou d'un choc électrique. Lisez attentivement les avertissements.

 **ATTENTION**

Lorsque vous voyez ce mot d'avertissement aux pages suivantes, il vous avertit du risque que votre porte de garage et/ou l'ouvre-porte soit endommagé(e) si vous ne respectez pas les mises en garde qui l'accompagnent. Lisez-les attentivement.



AVERTISSEMENT : Ce produit peut vous exposer à des produits chimiques, dont le plomb, qui sont reconnus par l'État de Californie comme provoquant le cancer, des malformations congénitales ou d'autres problèmes de reproduction. Pour en savoir plus, visitez www.P65Warnings.ca.gov

Fonctionnement sans surveillance

La fonction de minuterie de fermeture (TTC), l'application myQ® et le moniteur de porte de garage et de portail myQ® sont des exemples de fermeture sans surveillance et doivent être utilisés UNIQUEMENT avec des portes sectionnelles. Tout dispositif ou fonction permettant à la porte de se fermer sans être dans le champ de vision de cette dernière est considéré comme une fermeture sans surveillance. La fonction de minuterie de fermeture (TTC), l'application myQ® et tout autre appareil myQ® doivent être utilisés UNIQUEMENT avec des portes sectionnelles.

Les images de ce manuel sont fournies à titre indicatif uniquement et il est possible que votre produit soit différent.

Préparation

Vérifiez la porte

AVERTISSEMENT

Pour éviter d'éventuelles BLESSURES GRAVES voire MORTELLES :

- Appelez TOUJOURS un technicien qualifié en systèmes de porte si la porte de garage se coince, colle ou est déséquilibrée. Une porte de garage déséquilibrée risque de ne PAS s'inverser lorsque cela est nécessaire.
- N'essayez JAMAIS de desserrer, déplacer ou ajuster la porte de garage, les ressorts de porte, les câbles, les poulies, les supports ou leur matériel, qui sont TOUS sous une tension EXTRÊME.
- Désactivez TOUS les verrous et retirez TOUTES les cordes connectées à la porte de garage AVANT d'installer et d'utiliser l'ouvre-porte pour éviter tout enchevêtrement.
- Ne l'installez PAS sur une porte monobloc si vous utilisez des dispositifs ou des fonctionnalités permettant une fermeture sans surveillance. Les dispositifs et fonctionnalités sans surveillance doivent être utilisés UNIQUEMENT avec des portes sectionnelles.

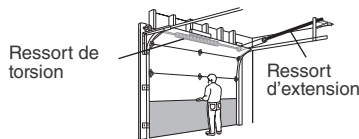
ATTENTION

Pour éviter d'endommager la porte de garage et l'ouvre-porte :

- Désactivez TOUJOURS les verrous AVANT d'installer et d'utiliser l'ouvre-porte.
- Utilisez UNIQUEMENT l'ouvre-porte de garage sur 120 V, 60 Hz pour éviter les dysfonctionnements et les dommages.

Avant de commencer :

1. Désactivez les verrous et retirez toutes les cordes connectées à la porte de garage.
2. Soulevez la porte à mi-hauteur. Relâchez la porte. Si elle est équilibrée, elle doit rester en place, entièrement soutenue par ses ressorts.
3. Soulevez et abaissez la porte pour vérifier qu'elle ne se coince pas ou ne colle pas. Si votre porte se coince, colle ou est déséquilibrée, appelez un technicien qualifié en systèmes de porte.
4. Vérifiez le joint d'étanchéité au bas de la porte. Tout écart entre le sol et le bas de la porte ne doit pas dépasser 6 mm (1/4 po). Sinon, le système d'inversion de sécurité risque de ne pas fonctionner correctement.
5. L'ouvre-porte doit être installé au-dessus du centre de la porte. S'il y a un ressort de torsion ou une plaque d'appui centrale sur le chemin du support de linteau, il peut être installé à moins de 4 pieds (1,2 m) à gauche ou à droite du centre de la porte. Voir page 13.



Avant de vous connecter avec votre téléphone intelligent*

Surveillez et contrôlez votre porte de garage de n'importe où à l'aide de l'application myQ[®]. Vous aurez besoin d'un routeur avec Wi-Fi[®] et d'un téléphone intelligent ou d'un autre appareil mobile. Assurez-vous que votre appareil mobile est connecté à votre réseau Wi-Fi[®]. Tenez votre appareil mobile à l'endroit où votre ouvre-porte de garage sera installé et vérifiez la force du signal Wi-Fi[®].



Vérifiez la force du signal. Si vous voyez que :



Le signal Wi-Fi est fort. Vous êtes prêt!
Installez votre nouvel ouvre-porte de garage.

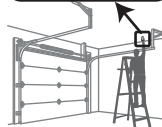


Le signal Wi-Fi est faible.
L'ouvre-porte de garage se connectera probablement à votre réseau Wi-Fi. Sinon, essayez l'une des options ci-dessous.



Aucun signal Wi-Fi. Essayez l'une des solutions suivantes :

- Rapprochez votre routeur de l'ouvre-porte de garage pour minimiser les interférences avec les murs et autres objets
- Achetez un prolongateur de portée Wi-Fi



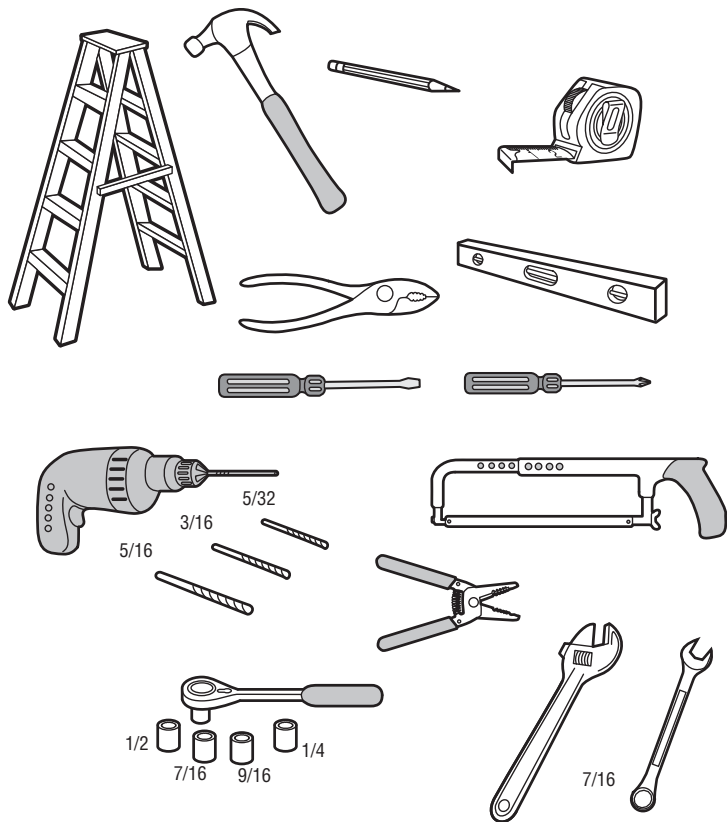
Visitez support.chamberlaingroup.com pour plus de détails.

Voir Commande de l'application myQ[®], page 37 pour connecter votre ouvre-porte de garage à votre réseau Wi-Fi[®].

*Le contrôle par téléphone intelligent n'est pas disponible avec les modèles C2102 et D2101.

Préparation

Outils nécessaires

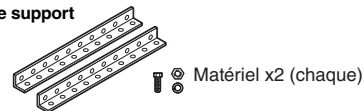


Articles supplémentaires dont vous pourriez avoir besoin :

Examinez votre garage pour voir si vous aurez besoin de l'un des éléments suivants :

- **(2) morceaux de bois 2X4** : Peut être utilisé pour fixer le support de linteau aux supports structurels. Également utilisé pour positionner l'ouvre-porte de garage lors de l'installation et pour tester les capteurs d'inversion de sécurité.
- **Support et matériel de fixation** : Doit être utilisé si vous avez un plafond fini dans votre garage.

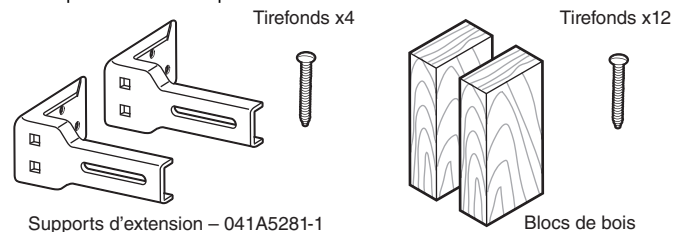
- **Supports de support**



- **Morceaux du support de suspension**



- **Supports d'extension (Model 041A5281-1) ou blocs de bois**: Selon la construction du garage, des supports d'extension ou des blocs de bois peuvent être nécessaires pour installer le capteur d'inversion de sécurité.



- **Matériel de fixation** : Le montage au sol (autre option) du capteur d'inversion sécuritaire nécessitera du matériel non fourni.
- **Renfort de porte** : Obligatoire si vous avez une porte en acier léger, en aluminium, en fibre de verre ou à panneaux de verre.
- **Kit d'extension de rail** : Obligatoire si la hauteur de votre porte de garage est supérieure à 2,13 m (7 pieds).

Préparation

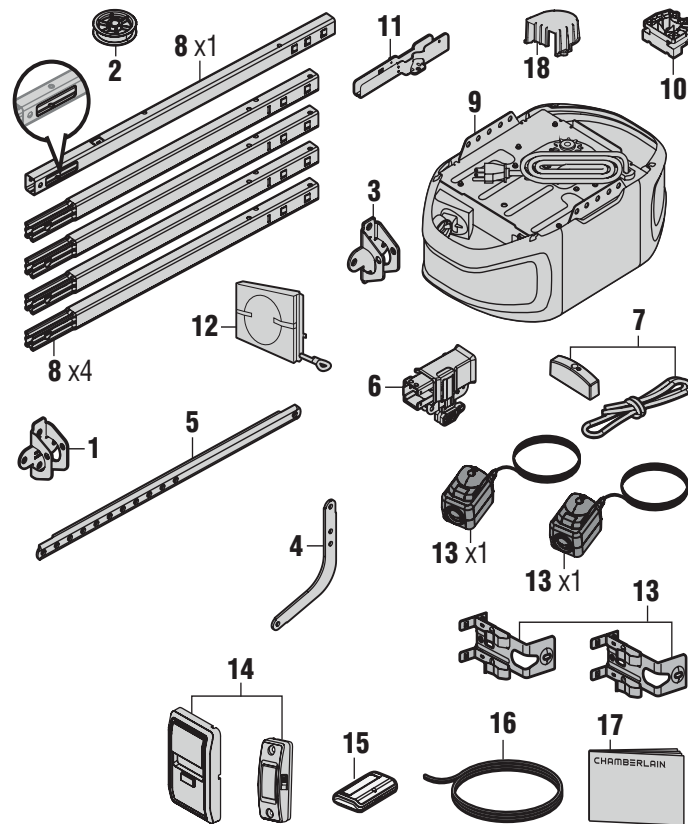
Inventaire du carton

Conservez le carton et le matériel d'emballage jusqu'à ce que l'installation et l'ajustement soient terminés. Les instructions relatives aux accessoires ne sont pas incluses dans ce manuel car elles sont à ces derniers. Les images de ce manuel sont fournies à titre indicatif uniquement et il est possible que votre produit soit différent.

1. Support de linteau
2. Poulie
3. Support de porte
4. Bras de porte incurvé
5. Bras de porte droit (emballé à l'intérieur de la section de rail avant)
6. Chariot
7. Corde et poignée de déclenchement d'urgence
8. Rail (1 section avant et 4 sections centrales)
9. Ouvre-porte de garage (bloc moteur)
10. Écarteur de chaîne avec vis - Modèle C2405
11. Support en « U »
12. Chaîne et câble ou chaîne (D2405C et D21202C uniquement)
13. **Protector System®**
Capteurs d'inversion de sécurité avec 2 fils conducteurs blanc et blanc/noir attachés : capteur d'envoi (1), capteur de réception (1) et supports de capteur de sécurité (2)
14. Télécommande
15. Commande de porte à bouton-poussoir - Modèles C2202C, D2101C, C2102C Panneau de commande multifonction - Modèles C2405C, D2405C
16. Fil blanc et rouge/blanc
17. Manuel d'installation et toutes les étiquettes d'avertissement
18. Couvercle de pignon - Modèles C2405C, D2405C

Voir Matériel, page 6.

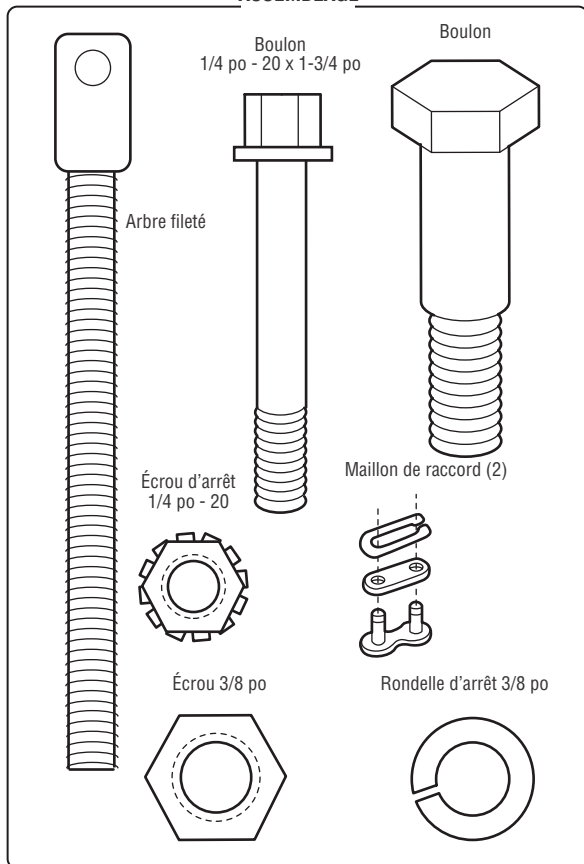
Allez à Chamberlain.com pour tout remplacement ou accessoire supplémentaire :
Télécommande à 3 boutons modèle 953EV-P2
Clavier sans fil modèle 940EV-P2



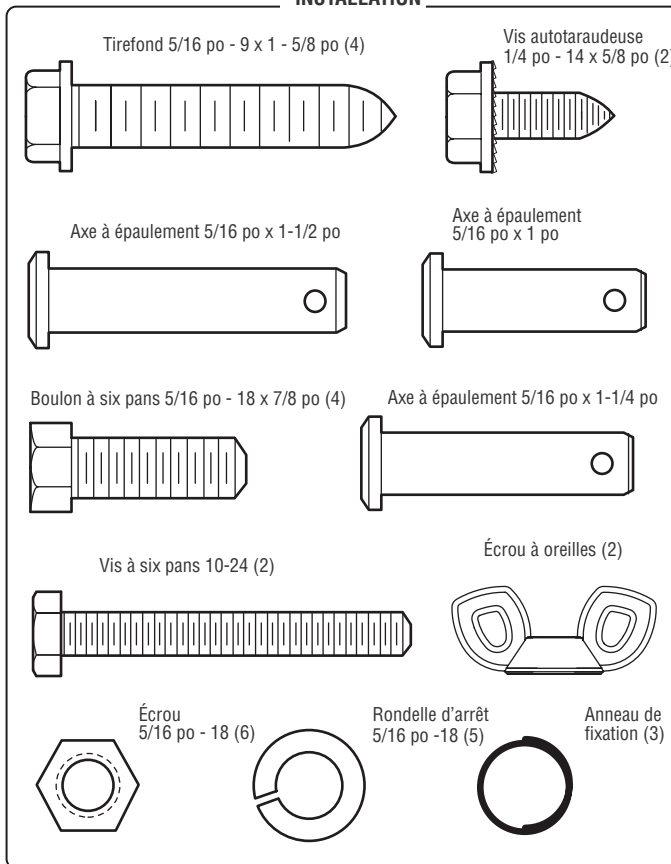
Préparation

Matériel

ASSEMBLAGE



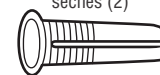
INSTALLATION



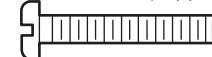
COMMANDE DE PORTE

MODÈLE C2405

Ancrages pour cloisons sèches (2)



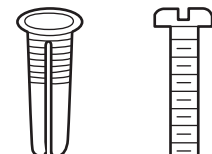
Vis 6 - 32 x 1 po (2)



Vis 6 AB x 1 po (2)



Modèle C2212T



Ancrages pour cloisons sèches (2)

Vis 6 AB x 1-1/2 po (2)

Agrafes isolées (non illustré)

Assemblage

ÉTAPE 1 Assembler le rail et installer le chariot

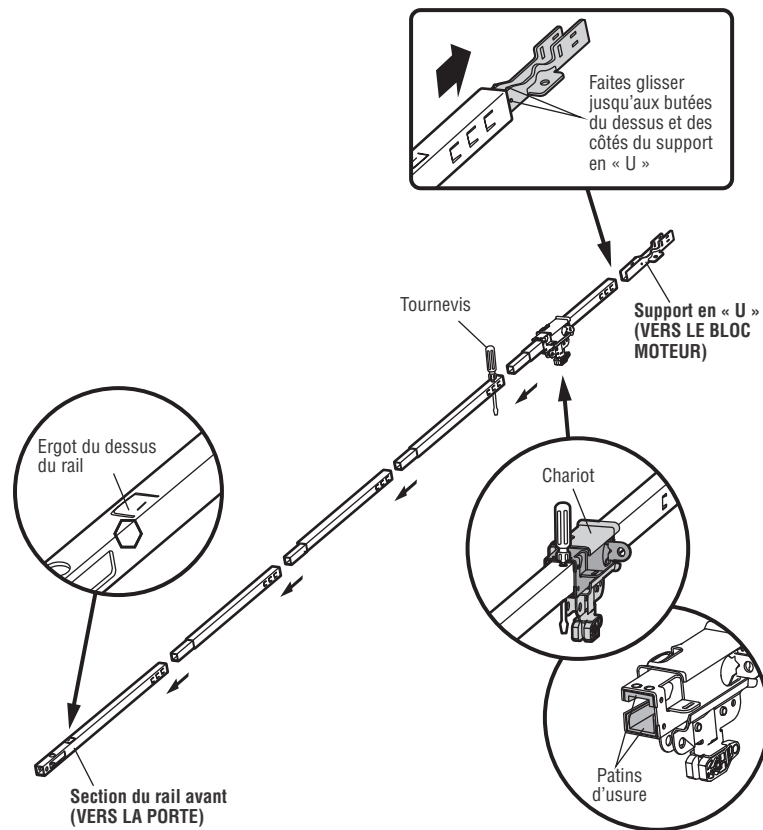
ATTENTION

Pour éviter les BLESSURES par pincement, gardez les mains et les doigts éloignés des joints lorsque vous assemblez le rail.

Pour éviter les difficultés d'installation, ne faites pas fonctionner l'ouvre-porte de garage avant d'y être invité.

Le rail avant a une « fenêtre » découpée à l'extrémité de la porte. L'ergot du rail DOIT être au-dessus du rail lorsqu'il est assemblé.

1. Retirez le bras de porte droit et le support de suspension emballés à l'intérieur du rail avant et mettez-les de côté pour les étapes d'installation 5 et 9. **REMARQUE : Pour éviter toute BLESSURE lors du déballage du rail, retirez soigneusement le bras de porte droit rangé dans la section du rail.**
2. Alignez les sections de rail sur une surface plane tel qu'indiqué et faites glisser les extrémités coniques dans les plus grandes. Les ergots du côté se verrouillent en place.
3. Placez le bloc moteur sur du matériel d'emballage pour protéger son couvercle et posez l'extrémité arrière du rail au dessus.
Pour plus de commodité, placez un support sous l'extrémité avant du rail.
4. En tant que butée d'arrêt temporaire, insérez un tournevis dans le trou de la deuxième section de rail du bloc moteur, tel qu'illustré.
5. Vérifiez qu'il y a 4 patins d'usure en plastique à l'intérieur du chariot intérieur. S'ils se sont détachés pendant le transport, vérifiez tout le matériel d'emballage. Remettez-les en place tel qu'indiqué.
6. Faites glisser l'assemblage du chariot vers le tournevis tel qu'illustré.
7. Faites glisser le rail sur le support en « U », jusqu'à ce qu'il atteigne toutes les butées du dessus et les côtés du support en « U ».



Assemblage

ÉTAPE 2 Fixer le rail au bloc moteur

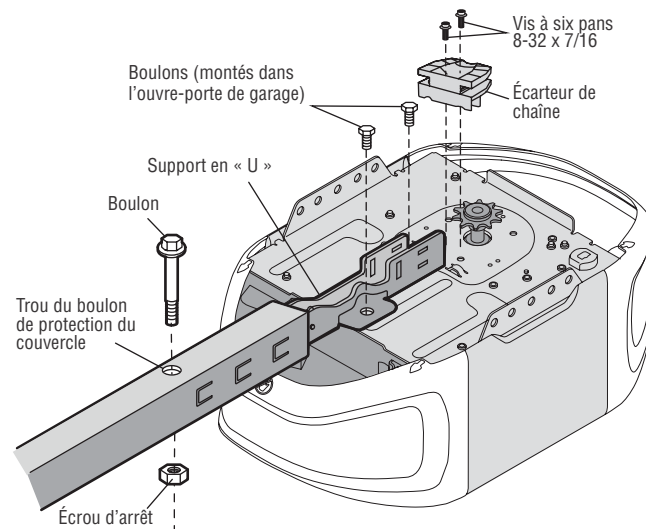
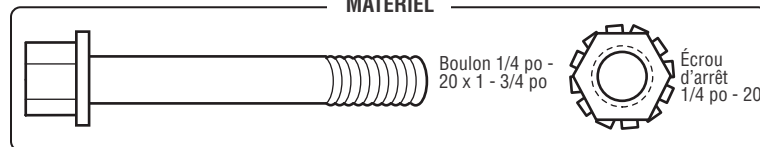
MODÈLE C2405

AVERTISSEMENT

Pour éviter de GRAVES dommages à l'ouvre-porte de garage, utilisez **UNIQUEMENT** les boulons/attaches montés sur le dessus de l'ouvre-porte.

1. Insérez un boulon 1/4 po - 20 x 1-3/4 po dans le trou du boulon de protection du couvercle à l'arrière du rail, tel qu'illustré. Serrez fermement avec un contre-écrou 1/4 po - 20. **NE PAS** trop serrer.
2. Retirez les boulons du haut du bloc moteur.
3. Utilisez le carton pour soutenir l'extrémité avant du rail.
4. Placez le support en « U », côté plat vers le bas, sur le bloc moteur et alignez les trous du support avec les trous des boulons.
5. Fixez le support en « U » avec les boulons retirés précédemment; N'utilisez **PAS** d'outils électriques. L'utilisation d'outils électriques risque d'endommager irrémédiablement l'ouvre-porte de garage.
6. Fixez l'écarteur de chaîne sur le bloc moteur avec deux vis.

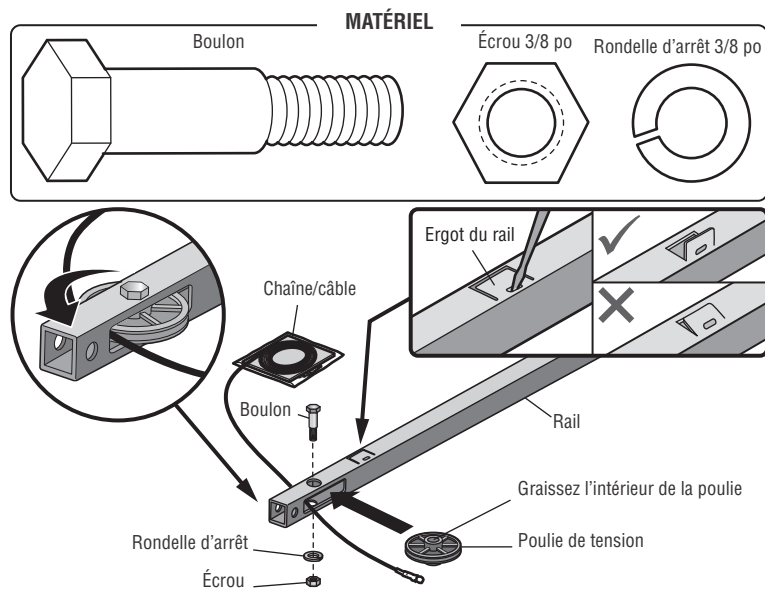
MATÉRIEL



Assemblage

ÉTAPE 3 Installer la poulie de tension

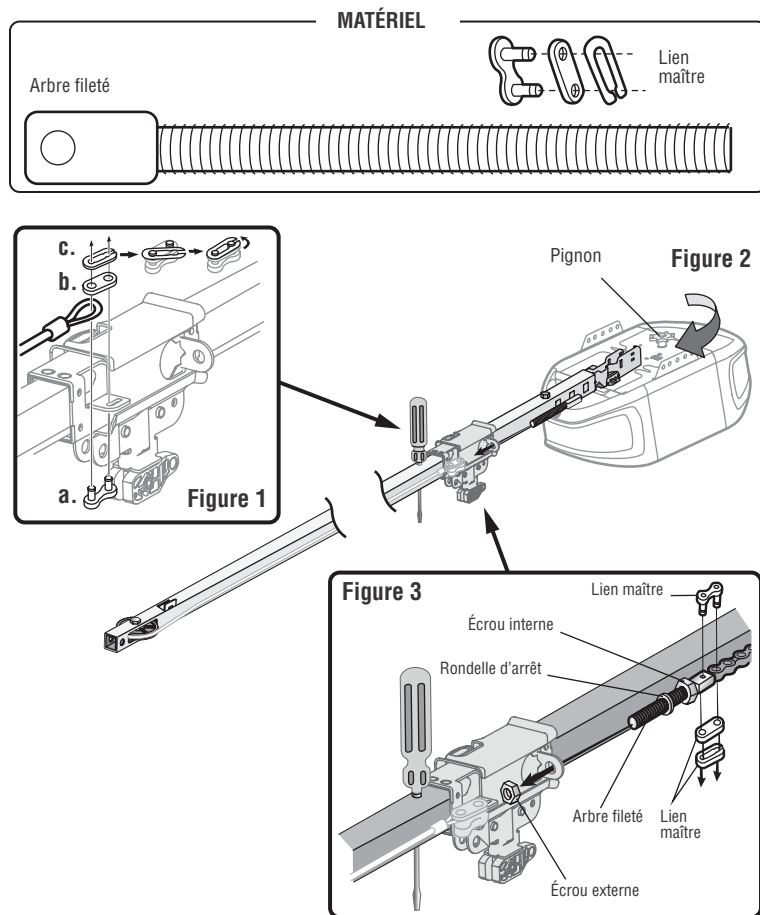
1. Posez la chaîne/câble à côté du rail, comme illustré. Attrapez l'extrémité du câble et faites passer environ 30 cm (12 po) de câble par la fenêtre. Laissez-le pendre jusqu'à l'étape 4 de l'assemblage.
2. Retirez le ruban de la poulie de tension. Le centre intérieur doit être pré-graissé. S'il est sec, regraissez-le pour vous assurer de son bon fonctionnement.
3. Placez la poulie de tension dans la fenêtre tel qu'indiqué.
4. Insérez le boulon de tension par le haut, à travers le rail et la poulie. Serrez avec une rondelle d'arrêt de 3/8 po et un écrou sous le rail jusqu'à ce que la rondelle d'arrêt soit comprimée.
5. Faites tourner la poulie pour vous assurer qu'elle tourne librement.
6. Localisez l'onglet du rail. L'onglet du rail se trouve à proximité de la poulie de tension, dans la section du rail avant. Utilisez un tournevis à tête plate pour soulever la languette du rail jusqu'à ce que celle-ci soit verticale (90°).



Assemblage

ÉTAPE 4 Installer la chaîne

1. Tirez le câble pour entourer la poulie de tension, en allant vers le chariot.
2. Raccordez le câble à la fente de retenue sur le chariot, comme illustré. (Figure 1)
 - a. Poussez les goupilles de la barre du maillon de raccord à travers le maillon du câble et la fente du chariot.
 - b. Poussez le capuchon du maillon de raccord sur les goupilles, et au-delà des encoches de goupille.
 - c. Faites glisser l'extrémité fermée du ressort à clipser sur l'une des broches. Poussez l'extrémité ouverte du ressort à clipser sur l'autre goupille.
3. Avec le chariot contre le tournevis, faites passer le reste du câble/de la chaîne le long du rail vers le bloc moteur, autour du pignon, puis jusqu'à l'assemblage du chariot. Les dents du pignon doivent engager la chaîne. (Figure 2)
4. Vérifiez que la chaîne n'est pas tordue, puis connectez-la à l'arbre fileté à l'aide du maillon de raccord restant.
5. Vissez l'écrou interne et la rondelle d'arrêt sur l'arbre fileté du chariot.
6. Insérez la tige filetée du chariot dans le trou du chariot. **Vérifiez que la chaîne n'est pas tordue.** (Figure 3)
7. Vissez l'écrou externe sans serrer sur l'arbre fileté du chariot.
8. Retirez le tournevis.



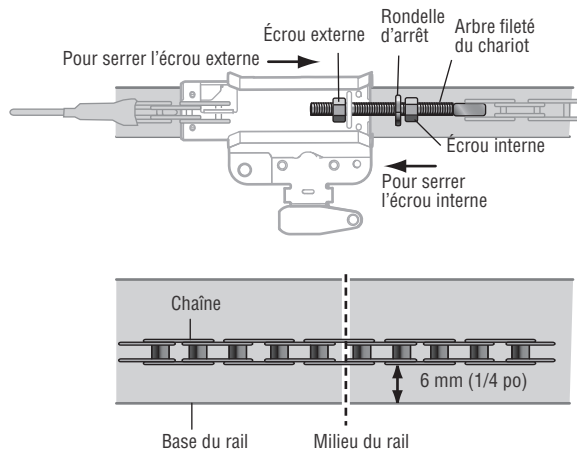
Assemblage

ÉTAPE 5 Serrer la chaîne

1. Vissez l'écrou interne et la rondelle d'arrêt vers le bas sur l'arbre fileté du chariot, dans le sens opposé par rapport au chariot.
2. Pour serrer la chaîne, tournez l'écrou externe dans le sens indiqué.
3. Lorsque la chaîne se trouve à environ 6 mm (1/4 po) au-dessus du milieu de la base du rail, resserrez l'écrou interne pour le fixer.

Le pignon peut faire du bruit si la chaîne n'est pas suffisamment tendue. Lorsque l'installation est terminée, il est possible que la chaîne pende un peu quand la porte est fermée. Ceci est normal. Si la chaîne revient dans la position illustrée lorsque la porte est ouverte, ne réajustez pas la chaîne.

REMARQUE : À l'avenir, lorsque vous effectuez un entretien, tirez TOUJOURS sur la poignée de déclenchement d'urgence pour déconnecter le chariot avant d'ajuster la chaîne.



INSTRUCTIONS D'INSTALLATION IMPORTANTES

AVERTISSEMENT

Pour réduire le risque de BLESSURES GRAVES voire MORTELLES :

1. LISEZ ET SUIVEZ TOUS LES AVERTISSEMENTS ET TOUTES LES INSTRUCTIONS D'INSTALLATION.
2. Ils pourraient être happés dans les mécanismes de porte de garage ou d'ouvre-porte. Une porte mal équilibrée risque de ne PAS s'inverser lorsque cela est nécessaire et pourrait entraîner des BLESSURES GRAVES voire MORTELLES.
3. TOUTES les réparations de câbles, ressorts et autre matériel DOIVENT être effectuées par un technicien en systèmes de portes qualifié AVANT d'installer l'ouvre-porte.
4. Désactivez TOUS les verrous et retirez TOUTES les cordes connectées à la porte de garage AVANT d'installer l'ouvre-porte pour éviter qu'elles s'enchevêtrent.
5. Dans la mesure du possible, installez l'ouvre-porte à une hauteur minimum de 2,13 m (7 pi) du sol.
6. Installez le déclencheur d'urgence à portée de main, mais à une distance minimum de moins 1,83 m (6 pieds) du sol et en évitant tout contact avec les véhicules, afin d'éviter tout déclenchement accidentel.
7. Ne branchez JAMAIS l'ouvre-porte de garage à une source d'alimentation avant d'y être invité.
8. NE portez JAMAIS de montres, bagues ou vêtements amples en installant ou entretenant l'ouvre-porte. Ils pourraient être happés dans les mécanismes de porte de garage ou d'ouvre-porte.
9. Installez la commande de porte de garage murale :
 - en vue de la porte de garage.
 - hors de portée des jeunes enfants, à une hauteur minimale de 1,5 m (5 pieds) au-dessus du sol, des paliers, des marches ou de toute autre surface de marche adjacente.
 - loin de TOUTES les pièces mobiles de la porte.
10. Placez une étiquette d'avertissement de piégeage sur le mur, à côté de la commande de porte de garage, dans un endroit bien en vue.
11. Placez l'étiquette de test d'inversion de sécurité/déclenchement d'urgence bien en vue à l'intérieur de la porte de garage.
12. Une fois l'installation terminée, testez le système d'inversion de sécurité. La porte DOIT s'inverser au contact d'un objet de 3,8 cm (1-1/2 po) de haut (ou un 2x4 posé à plat) sur le sol.
13. N'INSTALLEZ PAS cet appareil sur une porte d'une seule pièce si vous utilisez des dispositifs ou des fonctionnalités permettant une fermeture sans surveillance. Les dispositifs et fonctionnalités sans surveillance doivent être utilisés UNIQUEMENT avec des portes sectionnelles.

14. CONSERVER CES INSTRUCTIONS.

Installation

ÉTAPE 1 Déterminer l'emplacement du support de linteau

AVERTISSEMENT

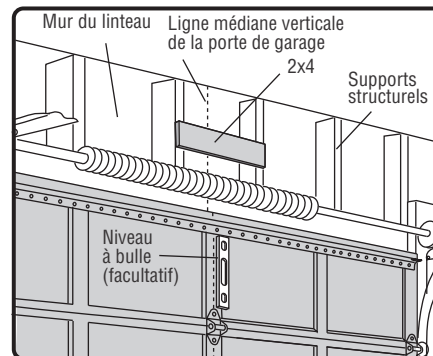
Pour éviter d'éventuelles BLESSURES GRAVES voire MORTELLES :

- Le support de linteau DOIT être fixé RIGIDEMENT au support structurel du mur du linteau ou du plafond car sinon la porte de garage risquerait de NE PAS s'inverser si nécessaire. N'installez PAS le support de linteau sur une cloison sèche.
- Des ancrages à béton DOIVENT être utilisées si le support de linteau est monté ou de 2x4 dans la maçonnerie.
- N'essayez JAMAIS de desserrer, déplacer ou ajuster la porte de garage, les ressorts de porte, les câbles, les poulies, les supports ou leur matériel, qui sont TOUS sous une tension EXTRÊME.
- Appelez TOUJOURS un technicien qualifié en systèmes de porte si la porte de garage se coince, colle ou est déséquilibrée. Une porte de garage déséquilibrée risque de NE PAS s'inverser lorsque cela est nécessaire.

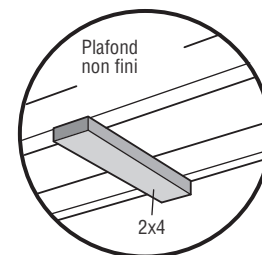
Les procédures d'installation varient selon les types de portes de garage. Suivez les instructions qui s'appliquent à votre porte.

1. Fermez la porte et marquez la ligne médiane verticale intérieure de la porte de garage.
2. Prolongez la ligne sur le mur du linteau au-dessus de la porte. Vous pouvez fixer le support de linteau à moins de 4 pieds (1,22 m) de la gauche ou de la droite du centre de la porte uniquement si un ressort de torsion ou une plaque d'appui centrale gêne, ou vous pouvez le fixer au plafond (voir page 16) lorsque le dégagement est minimal. (Il peut être monté au mur à l'envers si nécessaire, pour gagner environ 1 cm (1/2 po). Si vous devez installer le support de linteau sur un 2x4 (au mur ou au plafond), utilisez des tirefonds (non fournis) pour fixer solidement le 2x4 aux supports structurels, tel qu'illustré ici et à la page 16.
3. Ouvrez votre porte au point le plus élevé du déplacement tel qu'indiqué. Tracez une ligne horizontale sécante sur le mur du linteau à 5 cm (2 po) au-dessus du point le plus haut.
 - 5 cm (2 po) au-dessus du point haut pour porte sectionnelle et une porte monobloc avec rail.
 - 20 cm (8 po) au-dessus du point haut pour une porte monobloc sans rail.

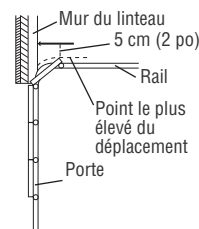
Cette hauteur fournira un espace de déplacement pour le bord supérieur de la porte.
REMARQUE : Si le nombre total de pouces dépasse la hauteur disponible dans votre garage, utilisez la hauteur maximale possible ou reportez-vous à la page 16 pour l'installation au plafond.



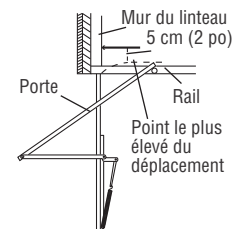
FIXATION AU PLAFOND EN OPTION
POUR SUPPORT DE LINTEAU



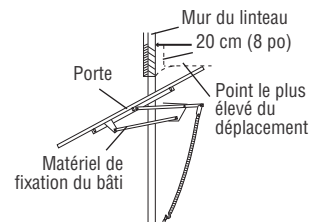
Porte sectionnelle avec rail incurvé



Porte monobloc avec rail horizontal



Porte monobloc sans rail :
matériel de fixation du bâti



Porte monobloc sans rail :
matériel de fixation pivotant

