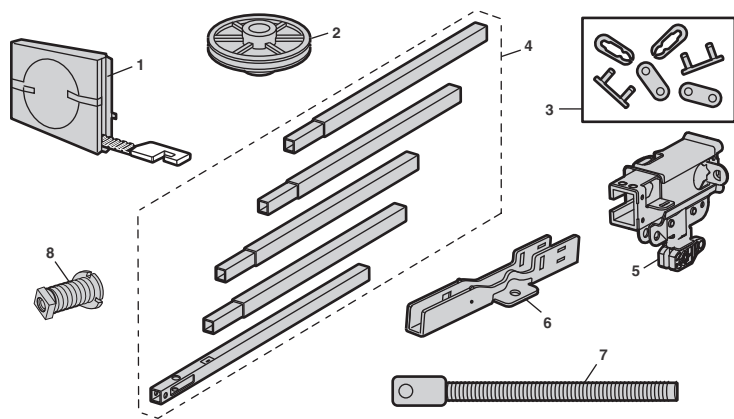


# Repair Parts

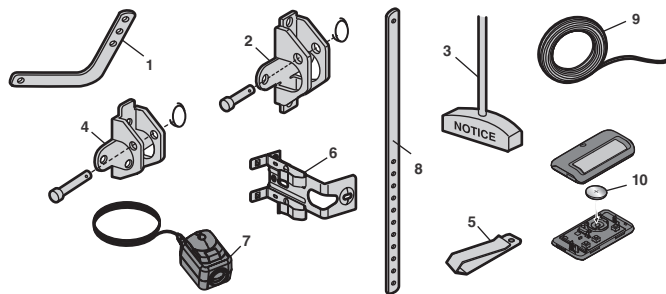
## Rail Assembly Parts

Description	Part Number
1 Belt	041A5250
2 Pulley	144C0054M
3 Master link	004A1008
4 Rail	041A5665
5 Trolley assembly: threaded shaft (1), clevis pin (1), and ring (1)	041C5141-2
6 "U" bracket	041D0598-1
7 D-shape threaded shaft	041A6689
8 Spring trolley nut	041B4103
<b>Not shown</b>	
Wear pads	041A7276
Hardware bag	041A7920-2



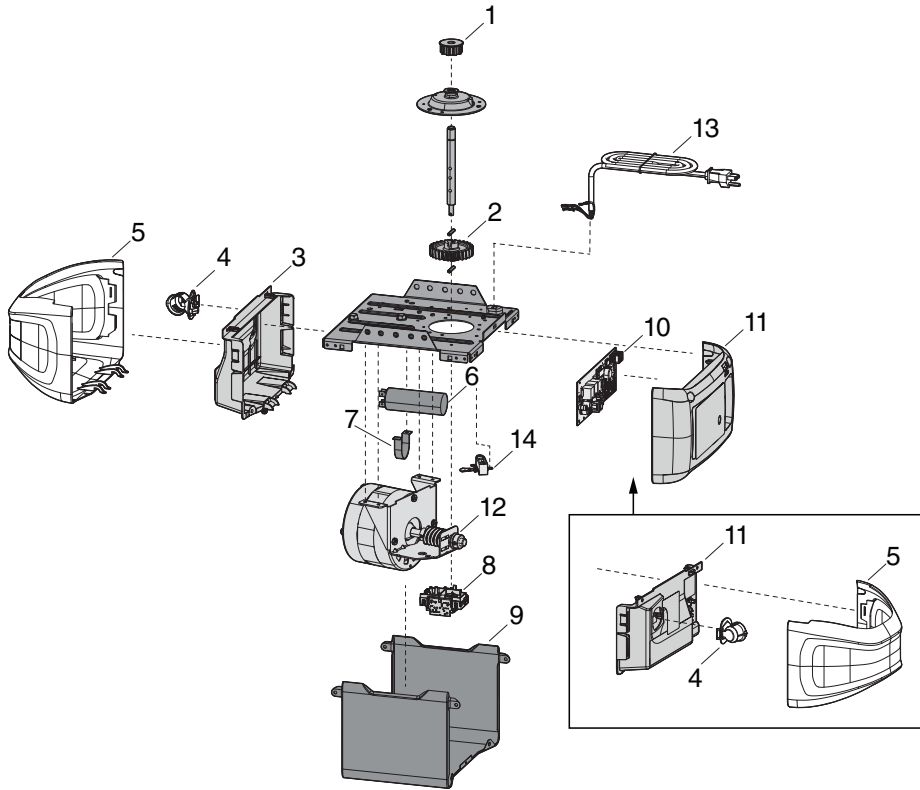
## Installation Parts

Description	Part Number
1 Curved door arm	041B0035B
2 Door bracket with clevis pin and fastener	041A5047-1
3 Emergency release rope and handle	041A2828
4 Header bracket with clevis pin and fastener	041A5047-2
5 Remote control visor clip	K029B0137
6 Safety sensor bracket	041-0155-000
78 Safety sensor kit: receiving and sending sensors with 2-conductor wire	041-0136-000
8 Straight door arm	4178B0034B
9 White and red/white wire	041B4494-1
10 3V CR2032 lithium battery	K010A0020
<b>Not shown</b>	
Installation Manual	114-5556-000



# Repair Parts

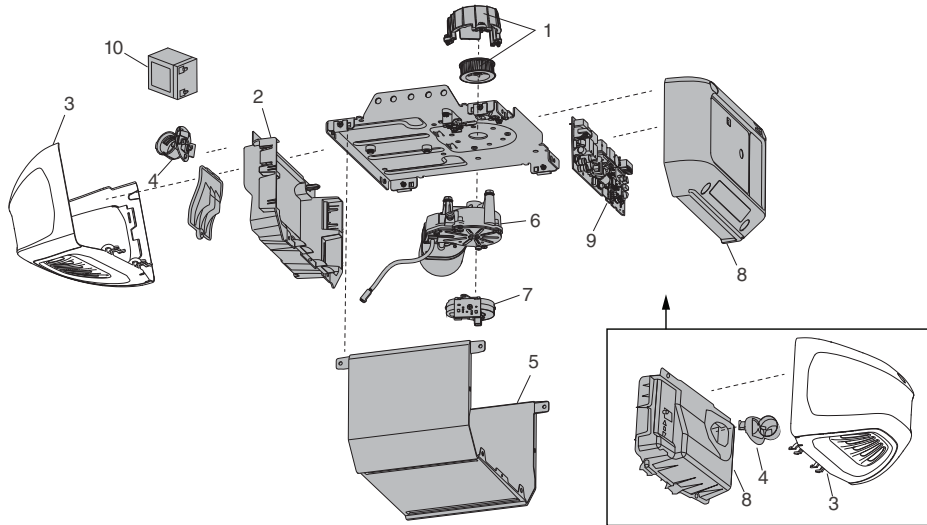
## Garage Door Opener Parts - Models B2202, B2401, B2405, and B353



Description	Part Number
1 Sprocket cover	041A4371
2 Gear	041A5885-4
3 End Panel with Light Cover	041-0037-000
4 Light socket	041C0279
5 Light Lens	K108D0079M
6 Capacitor	030B0532-1
7 Capacitor Bracket	K012A0373
8 Travel Module	041D7742-7
9 Cover	041-0024-000
10 Receiver Logic Board	050ACTB
11 Logic Board End Panel	041-0025-000
12 Motor with Travel Module	041D7440
13 Line Cord	041B4245-1
14 Terminal Block	041A3150
<b>Not Shown</b>	
Wire Harness	041A7946

# Repair Parts

## Garage Door Opener Parts - Models B2210T, B2211T, B2212T, B2215T, and B4505T



Description	Part Number
1 Sprocket cover	041B5348-2
2 Front End Panel	041A7618
3 Light Lens	041-0144
4 Light Socket	041C0279
5 Cover	041-0229-000
6 Motor with Travel Module	041D8006-1
7 Travel Module	041D8071-4
8 Logic Board End Panel	041D0233-3
9 Logic Board	050DCTBMC
10 12V Battery	G4228
<b>Not Shown</b>	
Wire Harness	041D9069
Transformer	041D0277-1
Line Cord	041B4245
Terminal Block	041A3150

© 2022, The Chamberlain Group LLC  
All Rights Reserved  
Wi-Fi® is a registered trademark of Wi-Fi Alliance  
Home Link® is a registered trademark of Gentex Corporation

114-5745-010

The Chamberlain Group LLC  
300 Windsor Drive  
Oak Brook, IL 60523