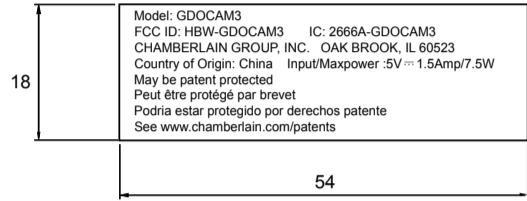


REV. SYMBOL	DATE	DESCRIPTION	SIGN	APPROVED
A				
B				



**100%**



Factory printing

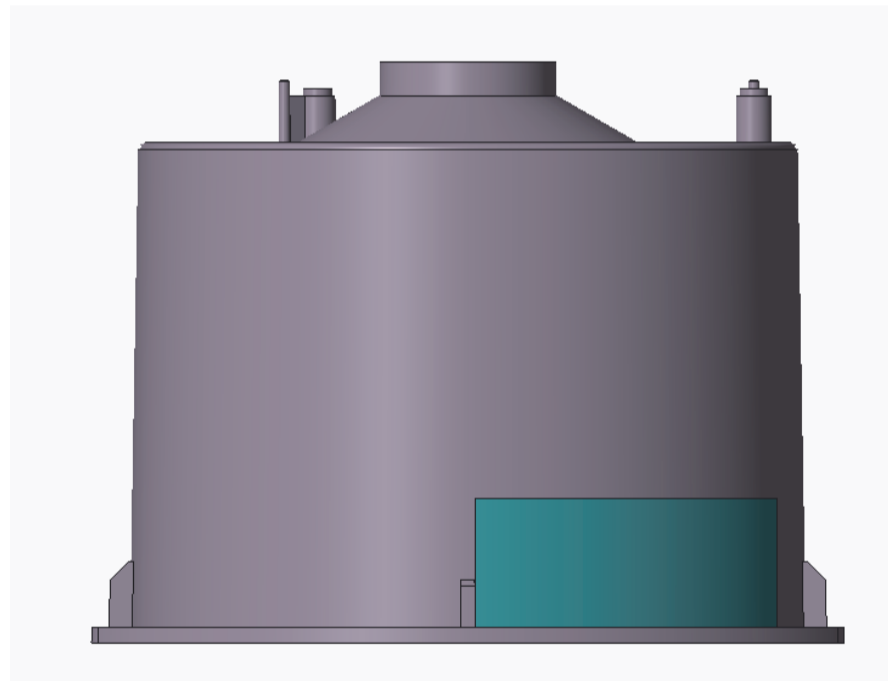
Font: Arial, 5pt

DVT : ESL2 Proto

PVT : MSL Proto

MP: MM/YEAR

### Label Position



#### Notes:

1. Material: 50 ounce White PET Label
2. Color: Black
3. Size:54(L) x 18(W) mm
4. Finish: Glossy
5. Glue: Permanent glue
6. Tolerance: +0.05/-0.05mm
7. Unit:mm

MODEL NO. DC-2007		PART NO. 2530A2007L-A05FX		REMARK:	
CHICONY ELECTRONICS Co., LTD			MATERIAL: see notes		MODEL NAME:
APPROVED	CHECKED	DESIGNED	TOLERANCE: see notes		DC-2007 (CHAMBERLAIN HAWKEYE 3.0)
		Teresa	Q'TY:		PART NAME:
		2022/02/10	SCALE: 1/1	UNIT: mm	PRODUCT LABEL, HAWKEYE 3.0
				DWG NO.:	REV.