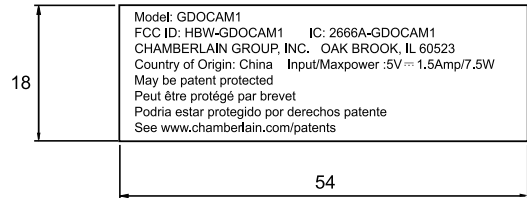


REV. SYMBOL	DATE	DESCRIPTION	SIGN	APPROVED
A				
B				



100%



Factory printing

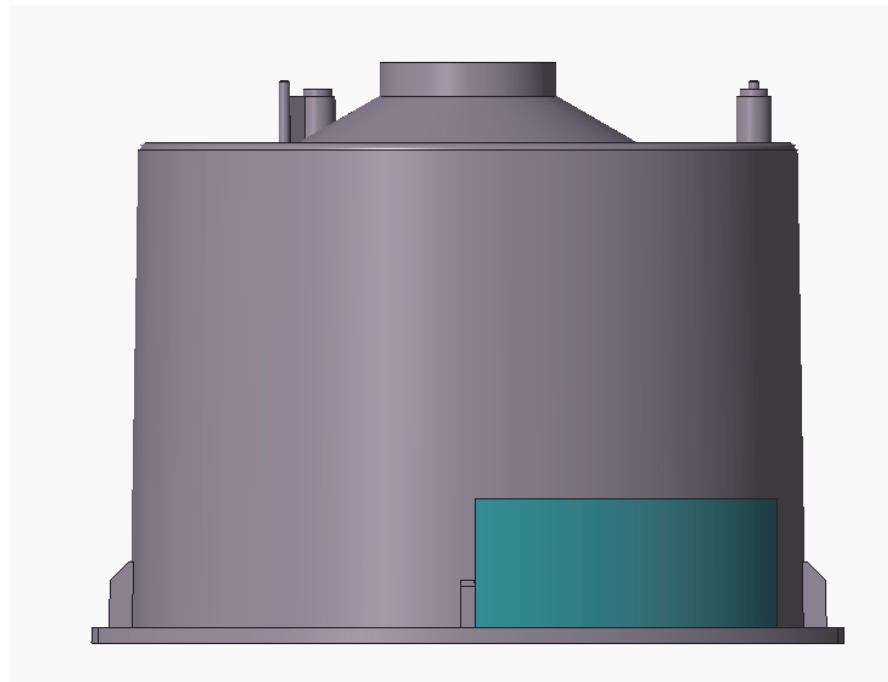
Font: Arial, 5pt

DVT : ESL2 Proto

PVT : MSL Proto

MP: MM/YEAR

Label Position



Notes:

1. Material: 50 ounce White PET Label
2. Color: Black
3. Size:54(L) x 18(W) mm
4. Finish: Glossy
5. Glue: Permanent glue
6. Tolerance: +0.05/-0.05mm
7. Unit:mm

MODEL NO. DC-1902		PART NO. 2530A1902L-C01FX		REMARK:	
CHICONY ELECTRONICS Co., LTD			MATERIAL: see notes		MODEL NAME:
APPROVED	CHECKED	DESIGNED	TOLERANCE: see notes		DC-1902 (CHAMBERLAIN_HAWKEYE)
		Teresa	Q'TY:		PART NAME:
		2019/10/30	SCALE: 1/1	UNIT: mm	PRODUCT LABEL, HAWKEYE
				DWG NO.:	REV.