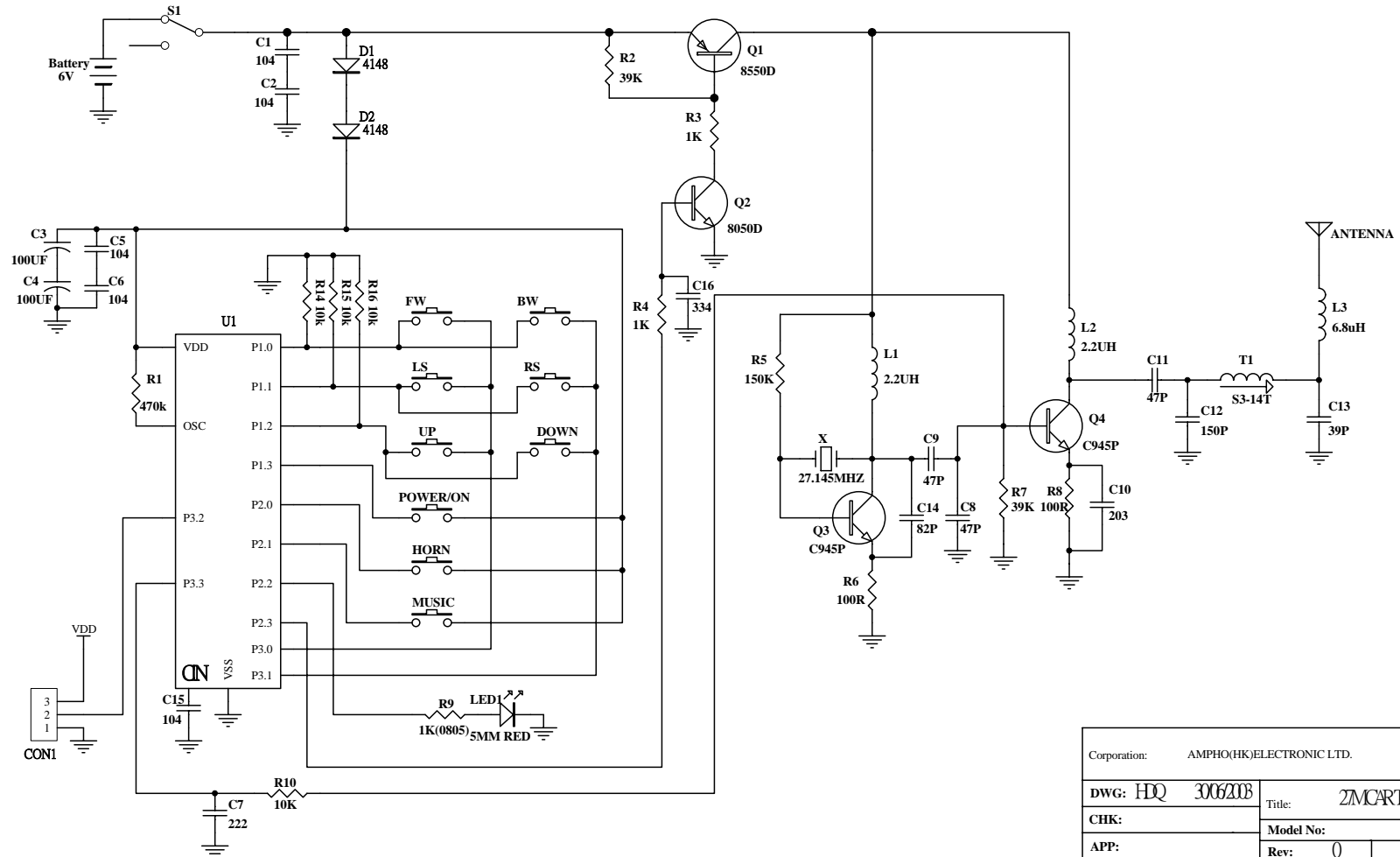


27MTX SCH



| | |
|---------------------------------------|------------------|
| Corporation: AMPHO(HK)ELECTRONIC LTD. | |
| DWG: HQ 306208 | Title: 27MCTX.FC |
| CHK: | Model No: |
| APP: | Rev: 0 |
| File: | Size: |