



16" 2.0-CHANNEL SOUNDBAR

Model: ONA19SB002

PRODUCT GUIDE

Ver. 01 Rev.02/08/18

USER MANUAL INSERTS FOR FCC ID

1. Warning: Changes or modifications to this unit not expressly approved by the party responsible for compliance could void the user's authority to operate the equipment.

2. NOTE: This equipment has been tested and found to comply with the limits for a Class B digital device, pursuant to Part 15 of the FCC Rules. These limits are designed to provide reasonable protection against harmful interference in a residential installation. This equipment generates, uses and can radiate radio frequency energy and, if not installed and used in accordance with the instructions, may cause harmful interference to radio communications.

However, there is no guarantee that interference will not occur in a particular installation. If this equipment does cause harmful interference to radio or television reception, which can be determined by turning the equipment off and on, the user is encouraged to try to correct the interference by one or more of the following measures:

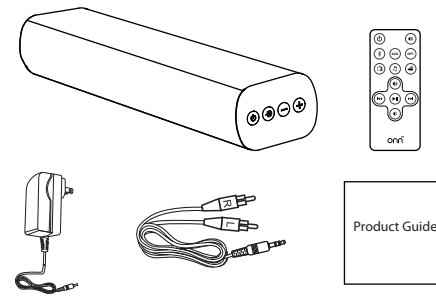
- Reorient or relocate the receiving antenna.
- Increase the separation between the equipment and receiver.
- Connect the equipment into an outlet on a circuit different from that to which the receiver is connected.
- Consult the dealer or an experienced radio/TV technician for help.

3. This device complies with Part 15 of the FCC Rules. Operation is subject to the following two conditions:
 (1) this device may not cause harmful interference, and
 (2) this device must accept any interference received, including interference that may cause undesired operation.

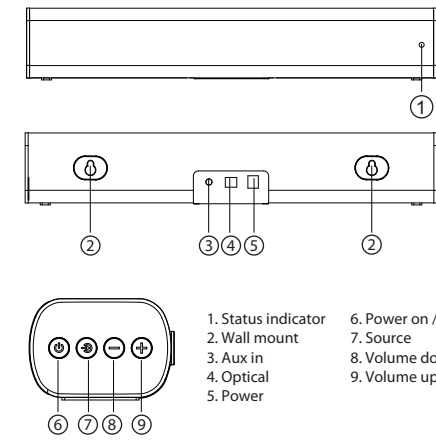
4. RF Exposure Statement
 To maintain compliance with FCC's RF Exposure guidelines, This equipment should be installed and operated with minimum distance between 20cm the radiator your body; Use only the supplied antenna.

Package contents

- 1. Soundbar 1pc
- 2. 3.5mm audio to RCA audio cable (Length: 1.5m) 1pc
- 3. Remote control 1pc
- 4. Product Guide 1pc
- 5. External adaptor 1pc



Speaker Overview



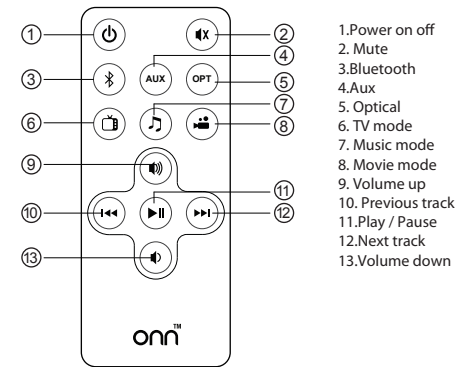
Status indicator

Standby	Solid Red
Optical	Solid Green
Aux in	Solid White
Bluetooth pairing mode	Flashing blue
Bluetooth device connected	Solid blue
Volume up and down	Corresponding to the sound source indicator light flash 1 time
Maximum and minimum volume	Corresponding to the sound source indicator light flash 3 times
Mute	Slow flash
TV mode	Corresponding to the sound source indicator light flash 2 times
Music mode	Corresponding to the sound source indicator light flash 2 times
Movie mode	Corresponding to the sound source indicator light flash 2 times

Specifications

Output Power: 12.5W x 2(RMS)
 Frequency Response: 50Hz~20 KHz
 S/N Ratio: ≥65dB
 Separation: ≥45dB

Remote control



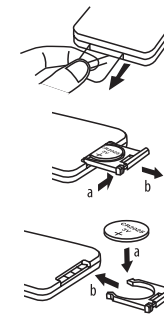
Remote control Batteries

Before first use
 To prepare the remote control for first use, pull out the safety strip to activate the battery.

Replacing the battery
 When replacing the battery in the remote control, refer to the diagram below.

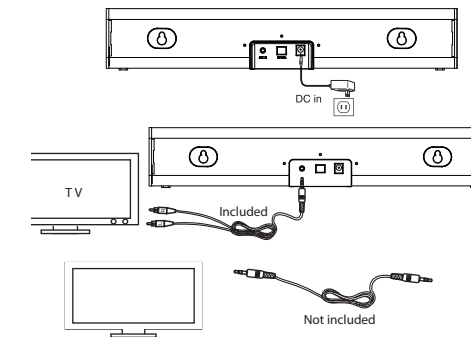
1. Pre the catch across.
2. While holding the catch, open the battery door.
3. Fit the battery observing polarity as shown.

When replacing the battery, use only the same CR2025 type specified.

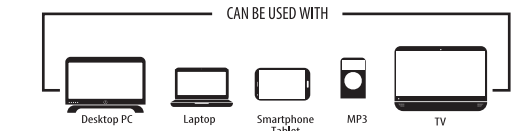


Power and connection

1. Plug the DC cable from the AC adaptor into the Power jack on the back panel, and plug the AC adaptor into the wall socket.
2. Press \mathcal{O} to power on/power off.
3. Connect the audio cable to the audio output of any device (such Desktop PC, Laptop, Smartphone Tablet, MP3, TV etc.) with a 3.5 mm headphone output jack or RCA output jack.



Power and connection



- Bluetooth® Connection**
1. Turn on the sound bar and select the Bluetooth® mode.
 2. Activate the Bluetooth® function on your device and search for devices nearby.
 3. Find "Onn 16" Soundbar" in the search results and tap to connect.
 4. The Bluetooth® indicator will turn solid blue on upon a successful connection.

Note:

- The Bluetooth indicator will keep flashing when the sound bar is pairing.
- Please make sure no other active Bluetooth® devices are within range, and that the sound bar is within 3ft / 1m away from your device.
- Before starting to play via Bluetooth, please lower the volume to a moderate level.