

**PORTABLE 40-WATT BLUETOOTH® PARTY SPEAKER**

Model: BWD19AAS10

**PRODUCT GUIDE**

Ver.01 Rev.01/22/18

**IMPORTANT SAFETY INSTRUCTIONS**

- Read these instructions.
- Keep these instructions.
- Heed all warnings.
- Follow all instructions.
- Do not use this apparatus near water.
- Clean only with dry cloth.
- Do not block any ventilation openings. Install in accordance with the manufacturer's instructions.
- Do not install near any heat sources such as radiators, heat registers, stoves, or other apparatus (including amplifiers) that produce heat.
- Do not defeat the safety purpose of the polarized or grounding-type plug. A polarized plug has two blades with one wider than the other. A grounding type plug has two blades and a third grounding prong. The wide blade or the third prong is provided for your safety. If the provided plug does not fit into your outlet, consult an electrician for replacement of the obsolete outlet.
- Do not install near any heat sources such as radiators, heat registers, stoves, or other apparatus (including amplifiers) that produce heat.
- Do not defeat the safety purpose of the polarized or grounding-type plug. A polarized plug has two blades with one wider than the other. A grounding type plug has two blades and a third grounding prong. The wide blade or the third prong is provided for your safety. If the provided plug does not fit into your outlet, consult an electrician for replacement of the obsolete outlet.
- Protect the power cord from being walked on or pinched particularly at plugs, convenience receptacles, and the point where they exit from the apparatus.
- Only use attachments/accessories specified by the manufacturer.
- Use only the cart, stand, tripod, bracket or table specified by the manufacturer, or sold with the apparatus. When a cart is used, use caution when moving the cart/apparatus combination to avoid injury from tip-over.
- Unplug this apparatus during lightning storms or when unused for long periods of time.
- Refer all servicing to qualified service personnel. Servicing is required when the apparatus has been damaged in any way, such as power-supply cord or plug is damaged, liquid has been spilled or objects have fallen into the apparatus, the apparatus has been exposed to rain or moisture, does not operate normally, or has been dropped.
- Power Sources - This product should be connected to a power supply only of the type described in these operating instructions, or as marked on the unit.

16. Water and Moisture - This product should be kept away from direct contact with liquids. The apparatus shall not be exposed to dripping or splashing and that no objects filled with liquids, such as vases, shall be placed on the apparatus.

17. CAUTION - Danger of explosion if battery is incorrectly replaced. Replace only with the same or equivalent type Batteries (a battery pack or an installed battery) shall not be exposed to excessive heat such as sunshine, fire, etc. .

18. Where the mains plug or an appliance coupler is used as the disconnect device, the disconnect device shall remain readily operable.

19. This symbol means the equipment is a Class II or double-insulated electrical appliance. It has been designed in such a way that it does not require a safety connection to electrical earth.

20. Do not install this equipment in a confined or "boxed-in" space such as a bookcase or similar unit, and maintain good ventilation conditions. The ventilation should not be impeded by covering the ventilation openings with items such as newspaper, tablecloths, curtains, etc.

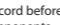
21. This apparatus is for professional use only.

22. When moving or not using the appliance, secure the power cord (e.g., wrap it with a cable tie). Be careful not to damage the power cord. Before using it again, make sure the power cord has not been damaged. If the power cord has been damaged at all, bring the unit and cord to a qualified service technician for repair or replacement as specified by the manufacturer.

23. WARNING: Please refer to any important information (e.g., electrical, safety, etc.) printed on the exterior side enclosure before installing or operating the product.

WARNING: To reduce the risk of fire or electric shock, do not expose this apparatus to rain or moisture. The use of apparatus in moderate climates/no naked flame sources, such as lighted candles, should be placed on the apparatus; Minimum distances 5cm around the apparatus for sufficient ventilation; To preserve our environment, dispose of used batteries according to your local laws or regulations.

**SERVICE INSTRUCTIONS**

- Disconnect power cord before servicing.
- Replace critical components  only with factory parts or recommended equivalents
- For AC line powered units - Before returning repaired unit to user, use an ohmmeter to measure from both AC plug blades to all exposed metal parts. The resistance should be more than 2,000,000 ohms.

**SAFETY NOTICES**

**CAUTION: TO REDUCE THE RISK OF ELECTRIC SHOCK, DO NOT REMOVE ANY COVER. NO USER-SERVICEABLE PARTS INSIDE. REFER SERVICING TO QUALIFIED SERVICE PERSONNEL ONLY.**

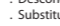
**CAUTION**  
**RISK OF ELECTRIC SHOCK**  
**DO NOT OPEN**

**DANGEROUS VOLTAGE:** A triangle is intended to alert the user to the presence of an "insulated" "dangerous voltage" within the product's enclosure that may be of sufficient magnitude to constitute a risk of electric shock.

**INSTRUCCIONES IMPORTANTES DE SEGURIDAD**

- Lee estas instrucciones.
- Conservar estas instrucciones.
- Preste atención a las advertencias.
- Siga todas las instrucciones.
- No use este equipo cerca de agua.
- Limpio sólo con un paño seco.
- No bloquee las aberturas de ventilación. Instale el equipo de acuerdo con las instrucciones del fabricante.
- No instale el equipo cerca de fuentes de calor tales como radiadores, aberturas de entrada de calefacción, calefactores u otros aparatos (incluidos amplificadores) que generen calor.
- No anule la función de seguridad del enchufe tipo polarizado o con conexión a tierra. Un enchufe polarizado tiene dos patillas, una más ancha que la otra. Un enchufe de tipo de conexión a tierra tiene dos patillas y una clavija de puesta a tierra. La patilla ancha o la tercera clavija son para su seguridad. Si el enchufe provisto no entra en su tomacorriente, consulte a un electricista y solicítele el reemplazo del tomacorriente obsoleto.
- Proteja el cable de alimentación de modo que no lo pisen ni quede estrangulado, particularmente en los enchufes, tomacorrientes y el punto donde sale del equipo.
- Use sólo el carrito, soportes, trípode, mesa u otros accesorios especificados por el fabricante. Debe conectarse a un tomacorriente del suministro eléctrico con una conexión a tierra de protección.
- Use sólo el carrito, soportes, trípode, mesa u otros accesorios especificados por el fabricante o vendidos con el equipo. Si usa un carrito, tenga cuidado al mover la combinación de carrito/equipo para evitar que se vuelque y produzca lesiones.
- Desenchufe este equipo durante las tormentas eléctricas o cuando no lo use por periodos prolongados.
- Solicite todo servicio a personal de servicio calificado. Se requiere servicio cuando el equipo se dañó de cualquier manera, por ejemplo si se dañaron el cable o el enchufe de alimentación, si se deramó líquido o cayeron objetos dentro del equipo, si el mismo estuvo expuesto a la lluvia o a la humedad, si no funciona normalmente o se dejó caer.

**LAS INSTRUCCIONES DE SERVICIO**

- Desconecte el cable eléctrico antes de empezar el servicio.
- Substituya los componentes críticos  solamente por las piezas de la fábrica o las piezas equivalentes recomendadas.
- Para las unidades accionadas por CA - Antes de devolver la unidad reparada al usuario, utilice un ohmímetro para medir entre las dos láminas del enchufe de CA y todas las partes expuestas. La resistencia tiene que ser más de 2,000,000 ohms.

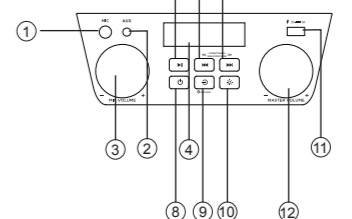
**SEÑALES DE ADVERTENCIA**

**PRECAUCIÓN:** PARA REDUCIR EL RIESGO DE DESCARGA ELÉCTRICA NO quite NINGUN TAPADERO. DENTRO DE LA UNIDAD NO HAY COMPONENTES ÚTILES PARA EL UTILIZADOR. PARA EL SERVICIO SE DEBE DIRIGIRSE SOLAMENTE AL PERSONAL DE SERVICIO CUALIFICADO.

**PRECAUCIÓN**  
**RIESGO DE DESCARGA ELÉCTRICA**  
**NO SE ABRA**

**VOLTAGE PELIGROSO NO AISLADO:** La señal de relámpago con la punta de la flecha dentro del triángulo equilátero está puesta para alertar al usuario de la presencia del "voltaje peligroso no aislado" dentro del recinto de producto que puede tener la magnitud suficiente de correr un riesgo de descarga eléctrica.


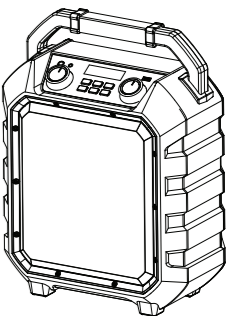
**Speaker Overview**



- Microphone/Guitar input
- Aux input
- Microphone/Guitar volume control
- LED Display
- Play/Pause
- Previous (hold to seek FM station)
- Next (hold to seek FM station)
- Power ON/OFF
- Source(BT/AUX/FM)
- Light mode
- USB charging output
- Master volume control

**Package Contents**

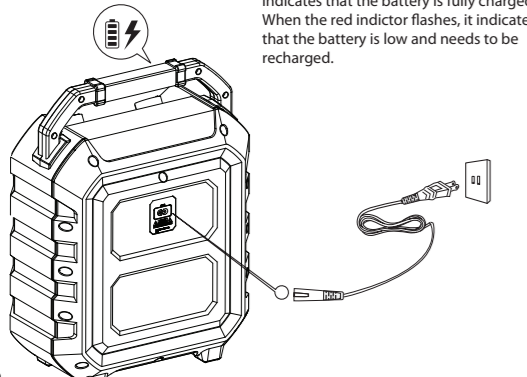
Main unit x 1  
Power cable x 1  
Product Guide x 1

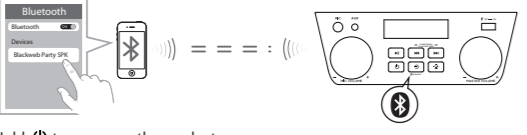
**Charging**

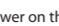
Insert the included power cable to charge the unit. The charging icon will be on in the display when charging.


Notes: The unit can be used with the power cable while it simultaneously charges the battery. When four charging indicators light up, indicates that the battery is fully charged. When the red indicator flashes, it indicates that the battery is low and needs to be recharged.




**Bluetooth pairing**





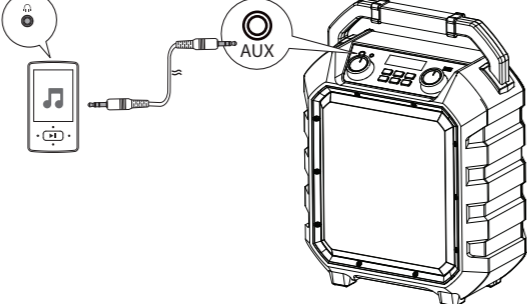
- Hold  to power on the product.
- The Bluetooth icon in the display will start blinking rapidly.
- Active the Bluetooth function on your device and search Bluetooth devices, and select "Blackweb Party SPK" to start connecting.
- Once paired, the Bluetooth icon in the display will turn on steadily, and you will hear "Bluetooth Connected".
- Play music on your device paired and connected with the speaker.

Notes: This speaker supports automatic connection with a previously paired device after power-off and power-on again. To pair with a new Bluetooth device or connect a previously paired device, first hold  to disconnect the current Bluetooth device, and then repeat the above step 3.

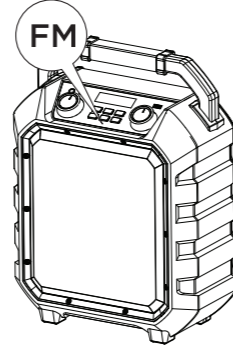
**AUX**

Press  to the AUX mode, then use a 3.5mm cable (not included) to connect the speaker to another audio source. Play and control music on your audio device, and use the volume knob on the speaker to adjust volume if necessary.

Notes: In AUX mode,   can't be controlled.

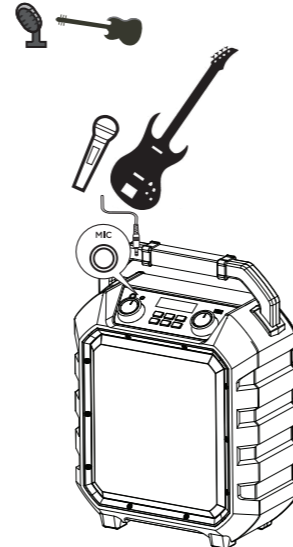


**FM**



Notes: The speaker will remember the last station it was on and start at that station when powered off and on again.

**Microphone/Guitar**

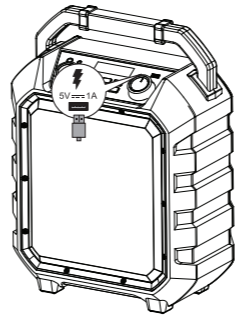


- Connect your Microphone(not included) or Guitar(not included) to the MIC/Guitar socket.
- Play Guitar through the speaker.
- Sing along with the Microphone when music played on Bluetooth/Aux/FM mode.
- Turn the MIC/GUITAR knob to adjust the Microphone or Guitar volume.

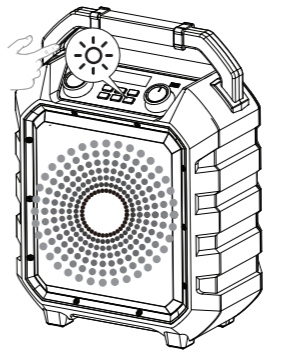
**Charging Cable**



Connect your device's charging cable through the 5V 1A charging socket to charge it. USB charging only functions when the unit's power is turned on.

Notes: To charge smartphones and tablets faster, put the device's screen to sleep.



**Light Mode**



- Hold  to turn on / turn off the light mode.
- Short press  repeatedly to select 5 available display modes.

**USER MANUAL INSERTS FOR FCC ID**

1. Warning: Changes or modifications to this unit not expressly approved by the party responsible for compliance could void the user's authority to operate the equipment.

2. NOTE: This equipment has been tested and found to comply with the limits for a Class B digital device, pursuant to Part 15 of the FCC Rules. These limits are designed to provide reasonable protection against harmful interference in a residential installation. This equipment generates, uses, and can radiate radio frequency energy and, if not installed and used in accordance with the instructions, may cause harmful interference to radio communications.

However, there is no guarantee that interference will not occur in a particular installation. If this equipment does cause harmful interference to radio or television reception, which can be determined by turning the equipment off and on, the user is encouraged to try to correct the interference by one or more of the following measures:

- Reorient or relocate the receiving antenna.
- Increase the separation between the equipment and receiver.
- Connect the equipment into an outlet on a circuit different from that to which the receiver is connected.
- Consult the dealer or an experienced radio/TV technician for help.

3. This device complies with Part 15 of the FCC Rules. Operation is subject to the following two conditions:  
(1) this device may not cause harmful interference, and  
(2) this device must accept any interference received, including interference that may cause undesired operation.

4. RF Exposure Statement  
To maintain compliance with FCC's RF Exposure guidelines, this equipment should be installed and operated with minimum distance between 20cm the radiator your body. Use only the supplied antenna.  
Product for Wal-Mart Stores, Inc. Bentonville, AR 72716/Hotline 1-800-925-6278