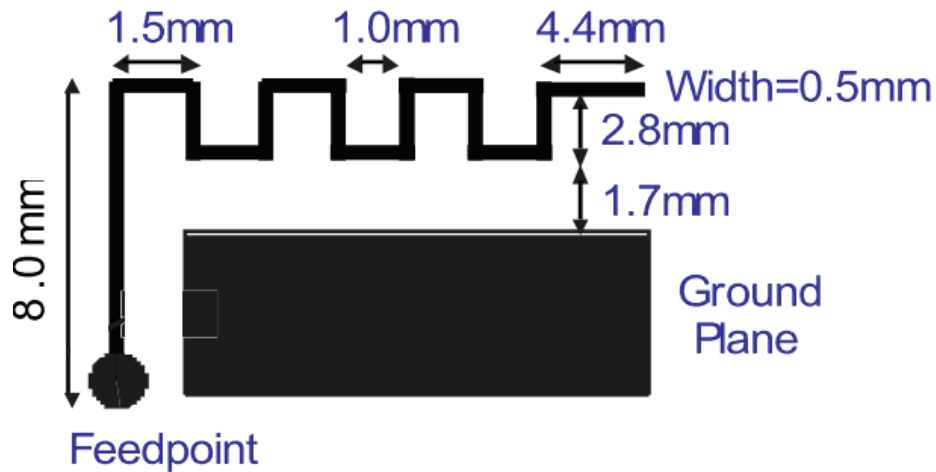


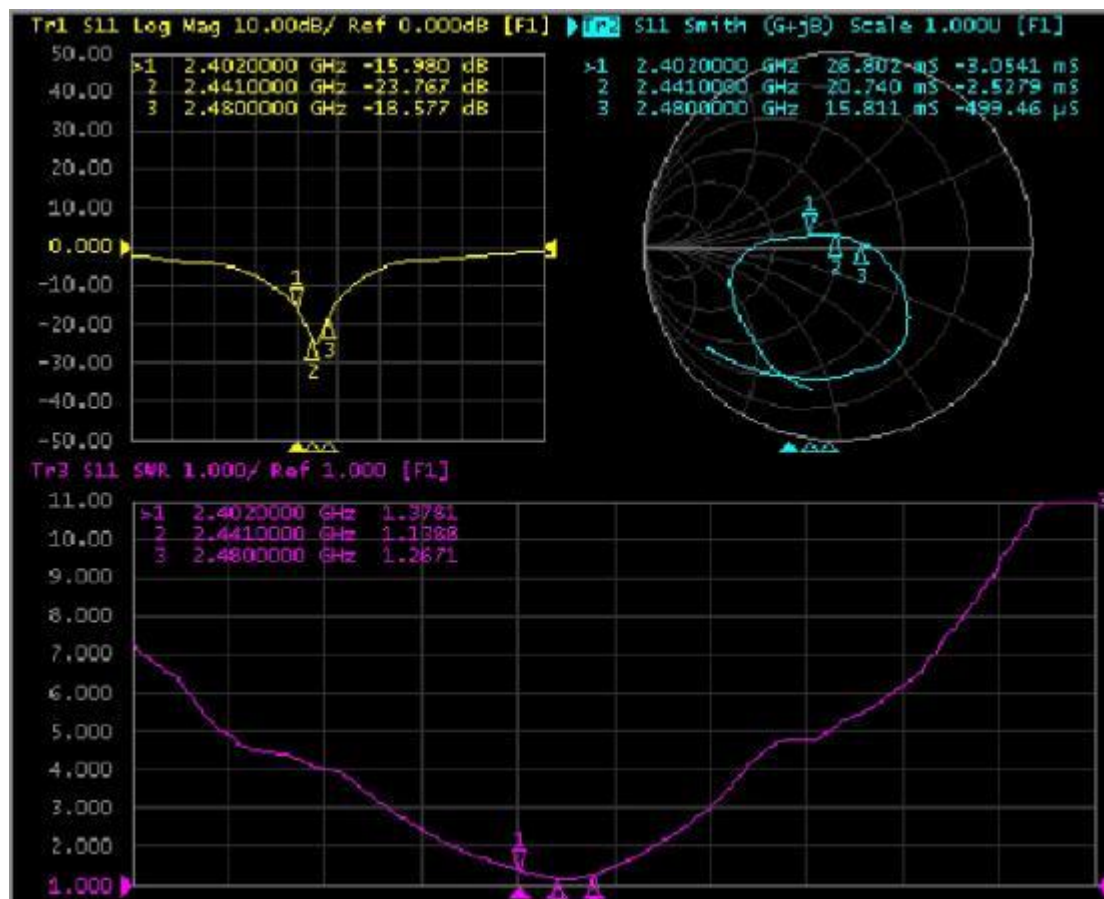
Meander line antenna Specification

Item	Antenna Specification		
Model Name	2.4G ANT		
Gain	2400MHz	2465MHz	2500MHz
	1.33dBi	1.54dBi	1.18dBi
Efficiency	70.24%	72.27%	63.66%
Impedance	50 ohm		
Antenna Length	11.9mm		
Manufacture	Shenzhen Qinyida Electronics Co., Ltd. 302, Building D, Third Industrial Zone, Huaide Community, Fuyong Street, Baoan District, Shenzhen		

Antenna Dimensions



S11

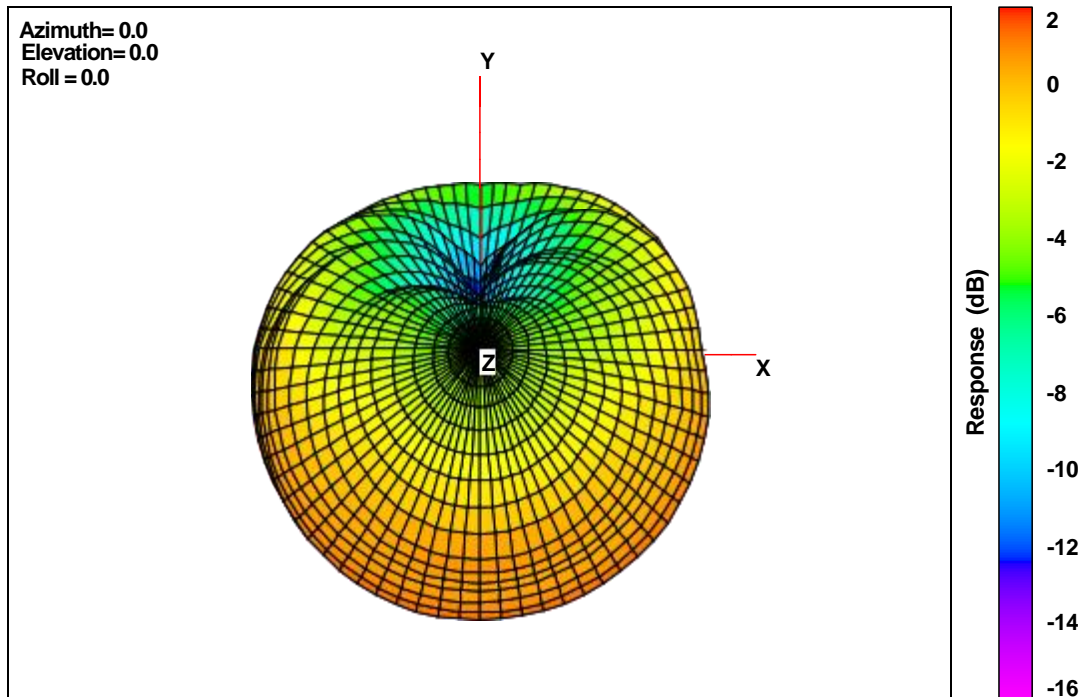


Efficiency & Gain

Frequency (MHz)	Efficiency (dB)	Efficiency (%)	Gain (dBi)
2400	-1.53	70.24	1.33
2402	-1.53	70.34	1.31
2405	-1.52	70.51	1.33
2410	-1.49	71.01	1.33
2415	-1.50	70.82	1.32
2420	-1.46	71.47	1.41
2425	-1.45	71.57	1.37
2430	-1.43	71.89	1.39
2435	-1.44	71.70	1.34
2440	-1.40	72.38	1.47
2441	-1.40	72.44	1.51
2445	-1.40	72.42	1.44
2450	-1.41	72.27	1.50
2455	-1.45	71.60	1.53
2460	-1.44	71.82	1.51
2465	-1.50	70.76	1.54
2470	-1.56	69.76	1.48
2475	-1.59	69.35	1.46
2480	-1.67	68.13	1.47
2482	-1.71	67.50	1.43
2485	-1.76	66.65	1.33
2490	-1.82	65.75	1.31
2495	-1.91	64.44	1.29
2500	-1.96	63.66	1.18

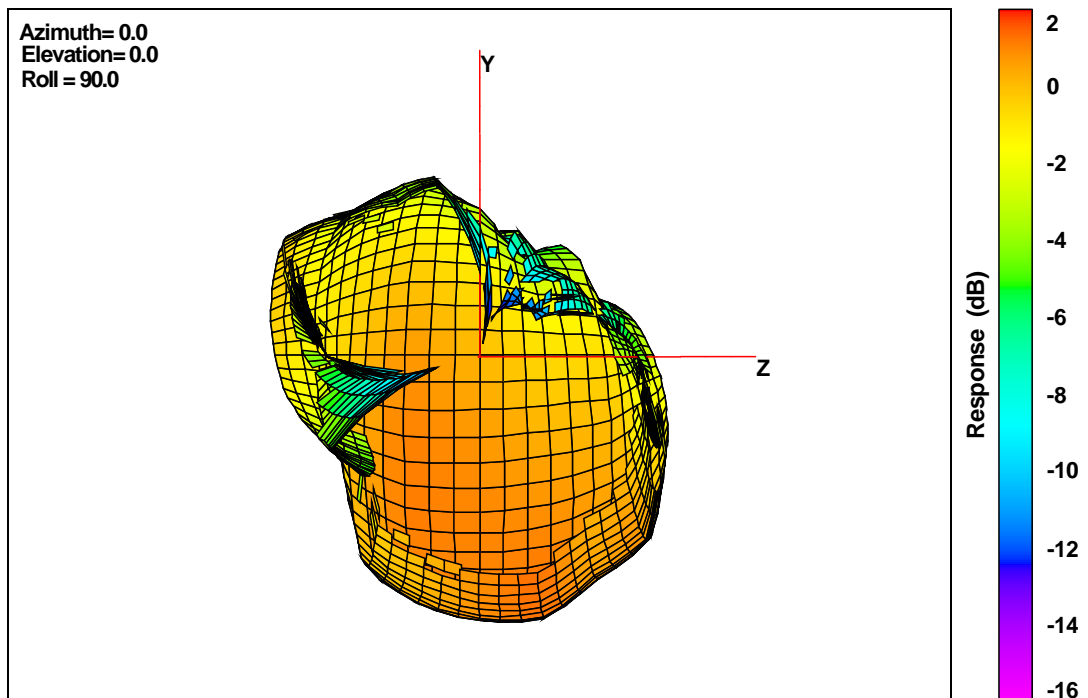
3D Radiation Pattern

Total



Front View

Total



Side View

Configuration



Front View



Side View