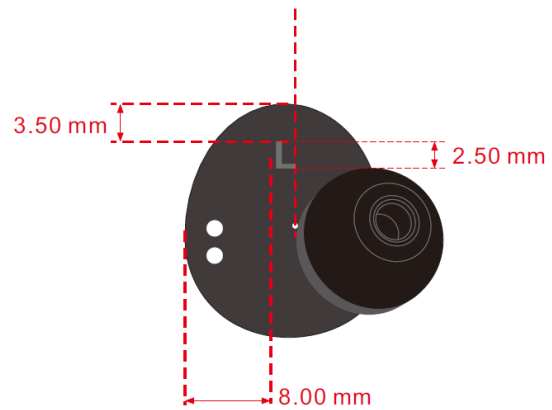


Label for BE-2010



4pt font is not achievable on L and R due to product dimensions. FCC IDs are included in user guide.

Excerpt of user guide:

FCC ID: HBOBE2101L

IC: 10550A-BE2101L