

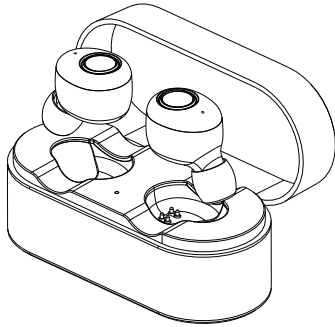
tzumi®



ProBuds™ METROSERIES

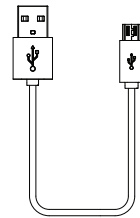
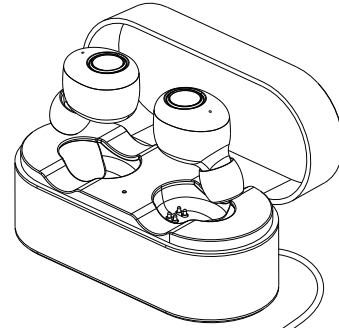


Totally Wireless Earbuds



USER MANUAL

Model:4877
FCC ID:HBO4877



Also includes:
• Micro USB Cable
• 2 Pairs of Earbud Tips (small, medium)



2

PAIRING TO BLUETOOTH DEVICE

Make sure the Bluetooth function is available on your electronic device. Specific pairing procedures may vary slightly depending on the device. For detailed information, please refer to your device's User Guide.

- Keep the distance between the device and the tzumi earbuds within 3 feet (for pairing only).
- If no device connection is made within 10 minutes of the earbuds being switched on, the earbuds will automatically switch off to save power.

PAIRING BOTH EARBUDS

The two earbuds have been connected each other by factory, you don't need to pair them again.

1. Choose left or right earbud to be your MASTER earbud .Follow the steps of SINGLE EARBUD PAIRING to connect it with your phone .
2. Turn on the other earbud ,wait for a few seconds ,two earbuds will be connected each other automatically .The blue light will flash once every 7 seconds .Both earbuds are now ready for use.
3. If you want to change MASTER earbud , please follow above steps again.
4. After successful pairing, devices will remember each other. Therefore, no pairing will be needed next time. Both earbuds will be automatically connected and paired to Bluetooth device.

If two earbuds connection fails,please turn off two earbuds and follow below steps .

1. Choose left or right earbud to be your MASTER earbud .Follow the steps of SINGLE EARBUD PAIRING to connect it with your phone .
2. Turn on the other earbud . Quickly press both earbuds on multi-function 3 times to enter earbuds pairing mode . Wait for two earbuds connecting for a few seconds . The blue light will flash once every 7 seconds if connected, Both earbuds are now ready for use.

3

SINGLE EARBUD PAIRING

LEFT EARBUD only

1. When earbuds are power off, press and hold the multi-function button for 4 seconds until blue and white lights flash quickly. Soon you may hear prompt " pairing."
2. Activate the Bluetooth function on your device to search for Bluetooth devices. Look for "Tzumi-TWE-L" in device list displayed and select.
3. When successful connection is made , blue light will flash once every 7 seconds. Left earbud is now ready for use.

RIGHT EARBUD only

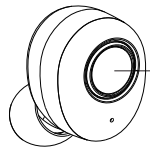
1. When earbuds are power off, press and hold the multi-function button for 4 seconds until blue and white lights flash quickly. Soon you may hear prompt " pairing."
2. Activate the Bluetooth function on your device to search for Bluetooth devices. Look for "Tzumi-TWE-R" in device list displayed and select.
3. When successful connection is made , blue light will flash once every 7 seconds. Right earbud is now ready for use.

To Power Off Earbuds [2 ways]

Automatically turn off earbuds by placing them back into charging case.
-OR-

If BOTH earbuds are being used together, press and hold multi-function button on MASTER Earbud only for 4 seconds until you hear "power off" or see the white light appear for 1 second, MASTER Earbud will turn OFF and the other earbud will turn OFF automatically.
If only SINGLE earbud is used, press and hold multi-function button on that earbud for 4 seconds, SINGLE earbud will turn OFF.

4



Power / Multi-Function Button
ON/OFF, PLAY/PAUSE
Answer/End/Reject CALL

EARBUDS CONTROLS

Listening to Music

Play/Pause/Resume music _____ Short press multi-function button
Next song _____ Double press multi-function button
Activate/Stop SIRI _____ Press/hold multi-function button on Master Earbud for 1 second during standby/music playing

Making and Receiving Calls

[MASTER EARBUD ONLY]

You can use your earbuds in various ways for handling calls.

Answer a call _____ Short press multi-function button
End a call _____ Short press multi-function button
Reject incoming call _____ Double press multi-function button

During a call, switch from earbud to phone & back to earbud from phone _____ Double press multi-function button

5

CHARGING THE CHARGING STATION

1. Plug the built-in USB cable of the Charging Station into an active computer USB port or USB AC adapter that is plugged into an active wall outlet.
2. Blue light will flash to indicate charging has begun:
0-25% blue light flashes 1 time every 2 seconds
25-50% blue light flashes 2 times every 2 seconds
50-75% blue light flashes 3 times every 2 seconds
75-100% blue light flashes 4 times every 2 seconds
3. Once fully charged, blue light will no longer flash.

CHARGING THE EARBUDS

These earbuds have an internal rechargeable battery. The battery must be fully charged prior to use. Charging time is approximately 2 hours. Earbuds cannot be used while charging.

1. Place earbuds into charging station.(Please tear the stickers on earbuds first)
2. White lights around earbuds turn on when charging has begun. White light turns off when charging is complete.
3. Pick up two earbuds when they are charging in charging station, they will automatically power on.

CONNECTING TO OTHER BLUETOOTH DEVICES

NOTE: The earbuds can only be connected to one Bluetooth device at a time.

1. In order to connect to another Bluetooth device, you must first disconnect current Bluetooth device connection.
2. After disconnecting, follow steps for Bluetooth Device pairing to pair your earbuds to the new Bluetooth device.

6

FAQ / Troubleshooting

Q: Why does pairing not work?

A: If pairing does not work, power off the earbuds and follow pairing steps again.

Q: Why do earbuds not turn on?

A: Make sure the earbuds is fully charged before using it for the first time. The earbuds will not turn on if battery level is very low.

Q: There is no sound during playback.

A: Check the Bluetooth connection between the earbuds and your device. If connection is not established, please reconnect again and adjust volume level as needed.

BATTERY DISPOSAL:

This product contains a lithium polymer battery. Lithium polymer batteries are environmentally safe when fully discharged. Please refer to your local and state laws for battery disposal procedures.

IMPORTANT SAFEGUARDS

- Do not use this unit for anything other than its intended use.
- Keep the unit away from heat source, direct sunlight, humidity, water or any other liquid.
- Do not expose the device to extremely high or low temperatures, as it may damage the battery.
- Do not operate the unit if it has been wet or moist to prevent against electric shock and/or injury to yourself and damage to the unit.
- Do not use the unit if it has been dropped or damaged in any way.
- Repairs to electrical equipment should only be performed by a qualified electrician. Improper repairs may place the user at serious risk.
- Keep the unit out of reach of children.
- This unit is not a toy.

7

S	Sensitivity	≥70dB
	Frequency	20Hz-20kHz
	Bluetooth Version	Bluetooth V4.2
	Standby Time	Up to 100 hours
	Charge Time	Up to 2 hours
	Continuous Play Time	2-2.5 hours
B	Battery in earbud	Polymer Lithium: 3.7V 30 mAh
	Battery in charging station	Polymer Lithium: 3.7V 500 mAh

ProBuds tzumi® Inc. True Wireless Earbuds. Distributed by tzumi Inc. NY, NY, 10016. ©Copyright 2017 tzumi Inc. All Rights Reserved. Made In China. ©Copyright 2017 Bluetooth SIG, Inc. The Bluetooth® word mark and logos are registered trademarks owned by Bluetooth SIG, Inc. and any use of such marks by tzumi® is under license. Other trademarks and trade names are those of their respective owners. Subject to change without prior notice.

This device complies with part 15 of the FCC Rules. Operation is subject to the following two conditions:

- (1) this device may not cause harmful interference, and
- (2) this device must accept any interference received, including interference that may cause undesired operation.

Any changes or modifications not expressly approved by the party responsible for compliance could void the user's authority to operate the equipment. NOTE: This equipment has been tested and found to comply with the limits for a Class B digital device, pursuant to Part 15 of the FCC Rules. These limits are designed to provide reasonable protection against harmful interference in a residential installation. This equipment generates, uses and can radiate radio frequency energy and, if not installed and used in accordance with the instructions, may cause harmful interference to radio communications. However, there is no guarantee that interference will not occur in a particular installation.

If this equipment does cause harmful interference to radio or television reception, which can be determined by turning the equipment off and on, the user is encouraged to try to correct the interference by one or more of the following measures:
-- Reorient or relocate the receiving antenna.
-- Increase the separation between the equipment and receiver.
-- Connect the equipment into an outlet on a circuit different from that to which the receiver is connected.
-- Consult the dealer or an experienced radio/TV technician for help.

The device has been evaluated to meet general RF exposure requirement. The device can be used in portable exposure condition without restriction.

FCC ID:HBO4877

8