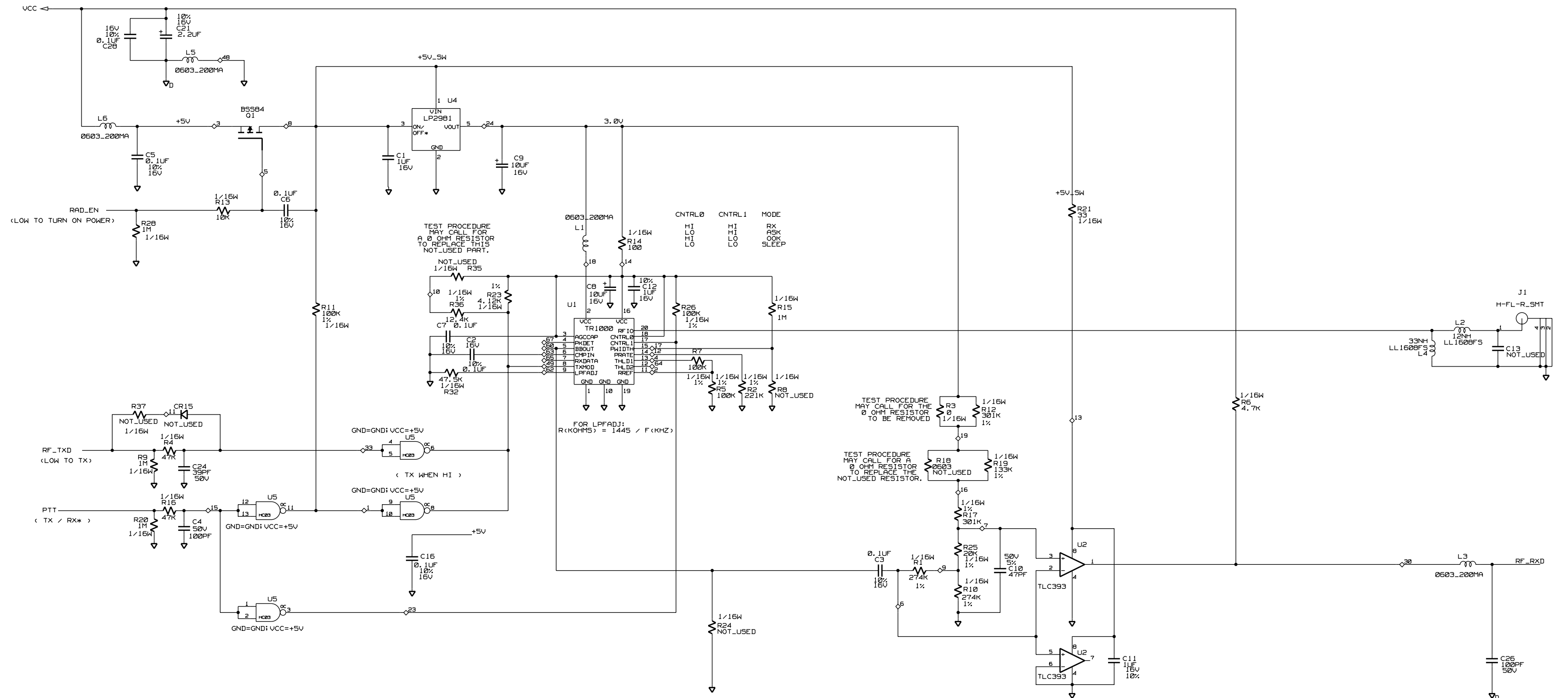


REVISIONS							
REV	ZONE	NO.	DESCRIPTION	E.C.	BY	APVD.	DATE
3			RELEASED PER PPD # 59843				



TEST PROCEDURE  
MAY CALL FOR  
A 0 OHM RESISTOR  
TO REPLACE THIS  
NOT-USED PART.

NOT-USED  
R35  
1/16W

TEST PROCEDURE  
MAY CALL FOR THE  
0 OHM RESISTOR  
TO BE REMOVED.

TEST PROCEDURE  
MAY CALL FOR A  
0 OHM RESISTOR  
TO REPLACE THE  
NOT-USED RESISTOR.

FOR LPFADJ:  
R(KOHMS) = 1445 / F(KHZ)

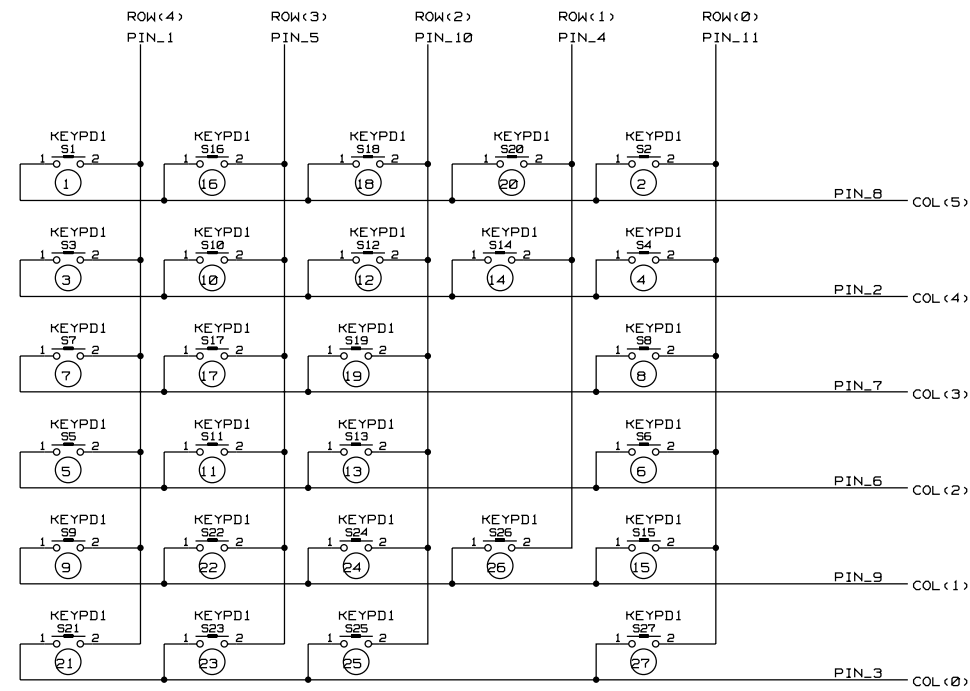
ITEM	QTY.	PART NO.	DESCRIPTION	REMARKS/REF. SYMBOL
PARTS LIST				
APPROVALS			DATE	SYMBOL TECHNOLOGIES INC. Bohemia, New York
DRAWN C. PAUL			05/24/00	
CHECKED				LOGIC DIAGRAM
ENGINEER C. PAUL			05/24/00	
MFG. ENG.				SATURN SHORT RANGE 916MHZ RADIO & KEYBOARD WITH TR1000
PRODUCT				
QUALITY				SIZE DWG. NO. 17-40735-01
FINISH				REV 3
TEST ENG.				Tue Aug 22 11:37:47 2000 SHEET 1 OF 2

THE DWG. AND SPECIFICATION  
CONTAINED HEREON ARE PRO-  
PRIETARY AND MUST NOT BE  
USED, COPIED, REPRODUCED  
OR OTHERWISE DEALT WITH  
FOR ITS CONTENTS COMMUN-  
ICATED TO OTHERS EXCEPT IN  
ACCORDANCE WITH WRITTEN  
INSTRUCTIONS RECEIVED FROM  
SYMBOL TECHNOLOGIES INC.

DIMENSIONS ARE IN INCHES	
UNLESS OTHERWISE SPECIFIED	
.xx	± .01
.xxx	± .005
ANGLES ± 1°	FRACTIONS ± 1/64
MATERIAL:	
FINISH:	

NEXT ASSY	USED ON	DO NOT SCALE DRAWING

REVISIONS							
REV	ZONE	NO.	DESCRIPTION	E.C.	BY	APVD.	DATE
			SEE SHEET 1				



KEYPAD FLEX CONNECTOR

