

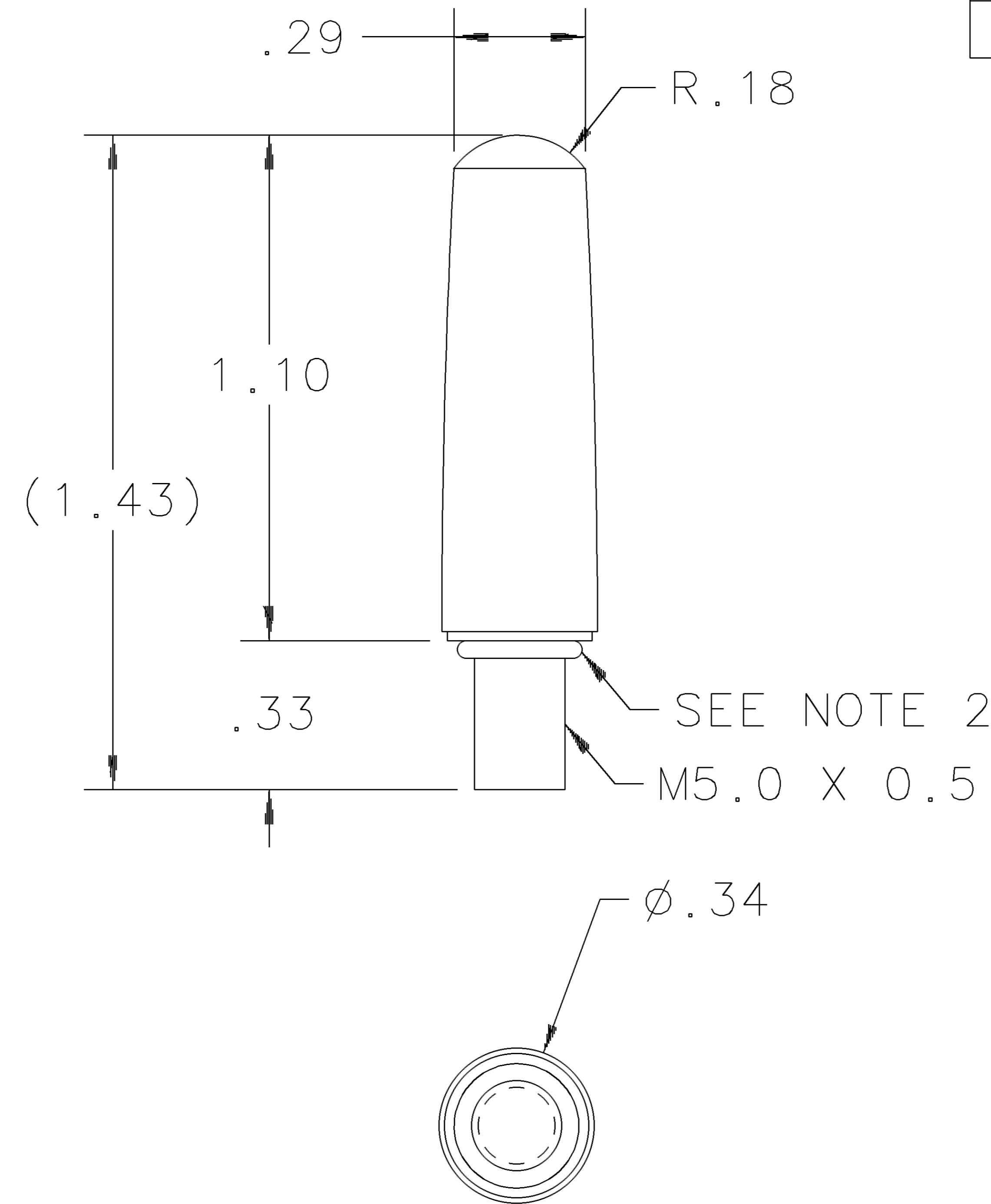
4

3

2

1

REVISIONS						
REV	No.	DESCRIPTION	E.C.	BY	APVD.	DATE
1	~	RELEASED PER PPD #53250	~	AP		12/219/99



NOTES: UNLESS OTHERWISE SPECIFIED

- SPECIFICATIONS: VSWR 1.5:1 MAX AT RESISTANCE  
POWER RATING: 50 WATTS  
IMPEDANCE: 50 OHMS NOMINAL  
OPERATING TEMPERATURE: -40°C TO +85°C  
LINEAR PULL: 22 LBS (10 Kg) MINIMUM
- INSTALL "O" RING, PARKER SEAL PART NUMBER 5-669 OR SYMBOL APPROVED EQUIVALENT. "O" RING TO BE BLACK IN COLOR
- PARTS SHALL MEET THE CRITERIA PER STI WORKMANSHIP STANDARD SS-03800-57
- PACKAGE ITEMS IN ACCORDANCE WITH STI GENERAL PACKAGING SPEC # 50-04100-013.  
1 PER PACKAGE WITH THE FOLLOWING IDENTIFICATION:  
- SYMBOL PART NUMBER  
- ID BARCODE OF SYMBOL PART NUMBER  
- REVISION

		<small>THE DRAWING &amp; SPECIFICATION CONTAINED HEREIN ARE PROPRIETARY AND MUST NOT BE USED, COPIED, REPRODUCED, OR OTHERWISE DEALT WITH NOR ITS CONTENTS COMMUNICATED TO OTHERS EXCEPT IN ACCORDANCE WITH WRITTEN INSTRUCTIONS RECEIVED FROM SYMBOL TECHNOLOGIES INC.</small>
	PDT 753X	
NEXT ASSY	USED ON	
	DO NOT SCALE DRAWING	

DIMENSIONS ARE IN INCHES		APPROVALS	DATE
UNLESS OTHERWISE SPECIFIED		DRAWN AP	12/29/99
	MM	INCH	
.XX	+/-	+/- .01	
.XXX	+/-	+/- .005	
ANGLES $\pm 1^\circ$ FRACTIONS $\pm 1/64$		CHECKED M.SAVONA	12/29/99
MATERIAL: SEE NOTE 1		ENGINEER C.THELEMANN	12/29/99
FINISH:		MFG. ENG.	
		PRODUCT	
		QUALITY	
		ANALYST	

**SYMBOL TECHNOLOGIES INC.**  
Bohemia, New York  
  
ANTENNA: CDPD, HELIX

SIZE B	DWG. NO. 10-38336-03	REV 1
SCALE: 2:1	SOLID MODEL <input checked="" type="checkbox"/> YES <input type="checkbox"/> NO	SHEET 1 OF 1

4

3

2

1

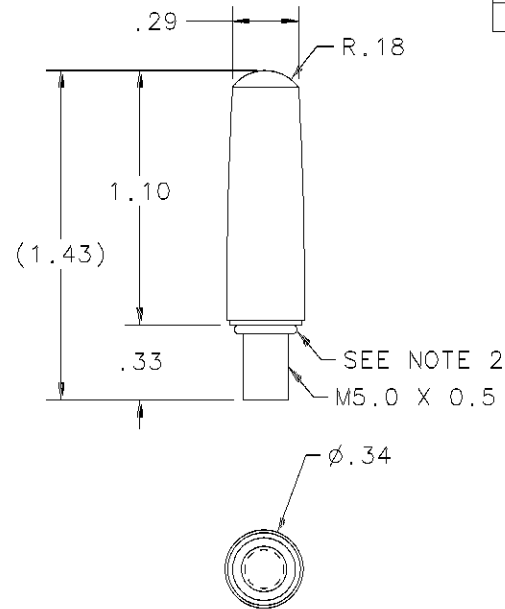
4

3

2

1

REVISIONS						
REV	APPROVALS	DESCRIPTION	E. C.	BY	APVD.	DATE
1		RELEASED PER PPD #53250		AP		12/29/99



NOTES: UNLESS OTHERWISE SPECIFIED

- SPECIFICATIONS: VSWR 1.5:1 MAX AT RESISTANCE  
POWER RATING: 50 WATTS  
IMPEDANCE: 50 OHMS NOMINAL  
OPERATING TEMPERATURE: -40°C TO +85°C  
LINEAR PULL: 22 LBS (10 Kg) MINIMUM
- INSTALL "O" RING, PARKER SEAL PART NUMBER 5-669 OR  
SYMBOL APPROVED EQUIVALENT. "O" RING TO BE BLACK IN COLOR
- PARTS SHALL MEET THE CRITERIA PER STI WORKMANSHIP STANDARD SS-03800-57
- PACKAGE ITEMS IN ACCORDANCE WITH STI  
GENERAL PACKAGING SPEC # 50-04100-013.  
1 PER PACKAGE WITH THE FOLLOWING IDENTIFICATION:
  - SYMBOL PART NUMBER
  - ID BARCODE OF SYMBOL PART NUMBER
  - REVISION

		THE DRAWING & SPECIFICATION CONTAINED HEREIN ARE PROPRIETARY AND MUST NOT BE USED, COPIED, REPRODUCED, OR OTHER- WISE DEALT WITH NOR ITS CON- TENTS COMMUNICATED TO OTHERS EXCEPT IN ACCORDANCE WITH WRITTEN INSTRUCTIONS RECEIVED FROM SYMBOL TECHNOLOGIES INC.	
	PDT 753X		
NEXT ASSY	USED ON		DO NOT SCALE DRAWING

DIMENSIONS ARE IN INCHES		APPROVALS		DATE	SYMBOL TECHNOLOGIES INC.		
UNLESS OTHERWISE SPECIFIED		DRAWN	AP	12/29/99	Bohemia, New York		
		CHECKED	M. SAVONA	12/29/99	ANTENNA: CDPD, HELIX		
		ENGINEER	C. THELEMANN	12/29/99	SIZE	DWG. NO.	REV
		MFD. ENG.			B	10-38336-03	1
		MATERIAL:			SCALE:	SOLID MODEL	YES <input type="checkbox"/> NO <input checked="" type="checkbox"/>
		FINISH:			2:1		SHEET 1 OF 1
		ANGLES ± 1° FRACTIONS ± 1/64					
		MATERIAL:					
		SEE NOTE 1					
		PRODUCT					
		QUALITY					
		ANALYST					

4

3

2

1