

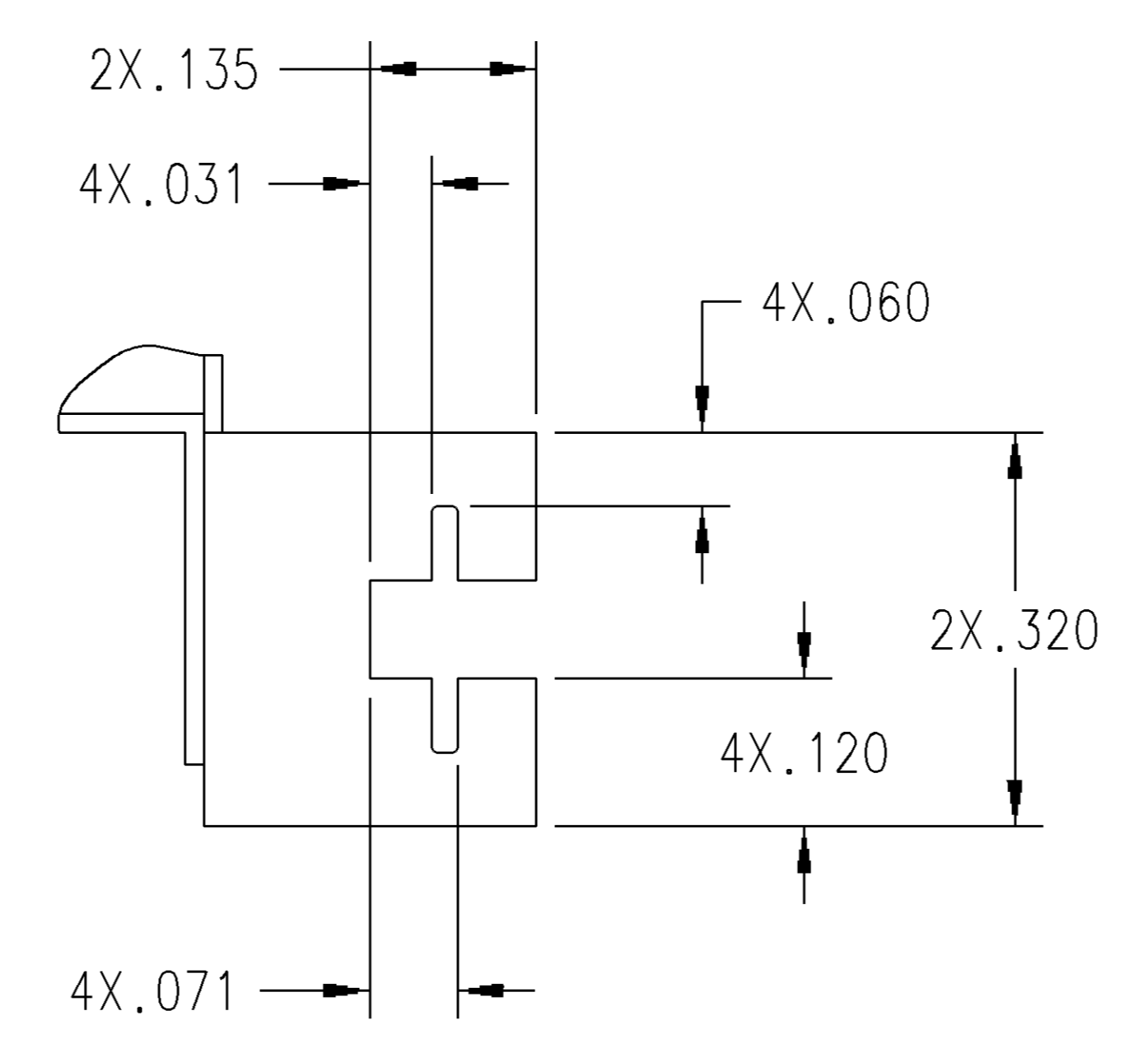
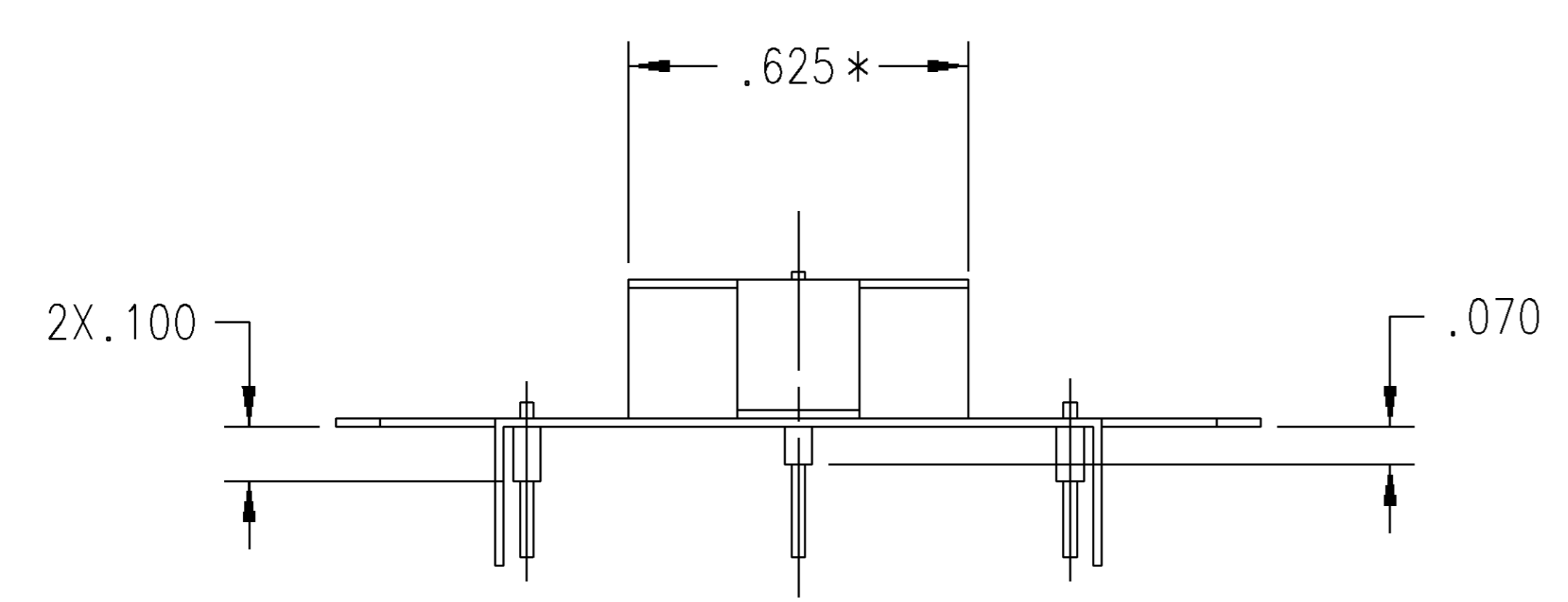
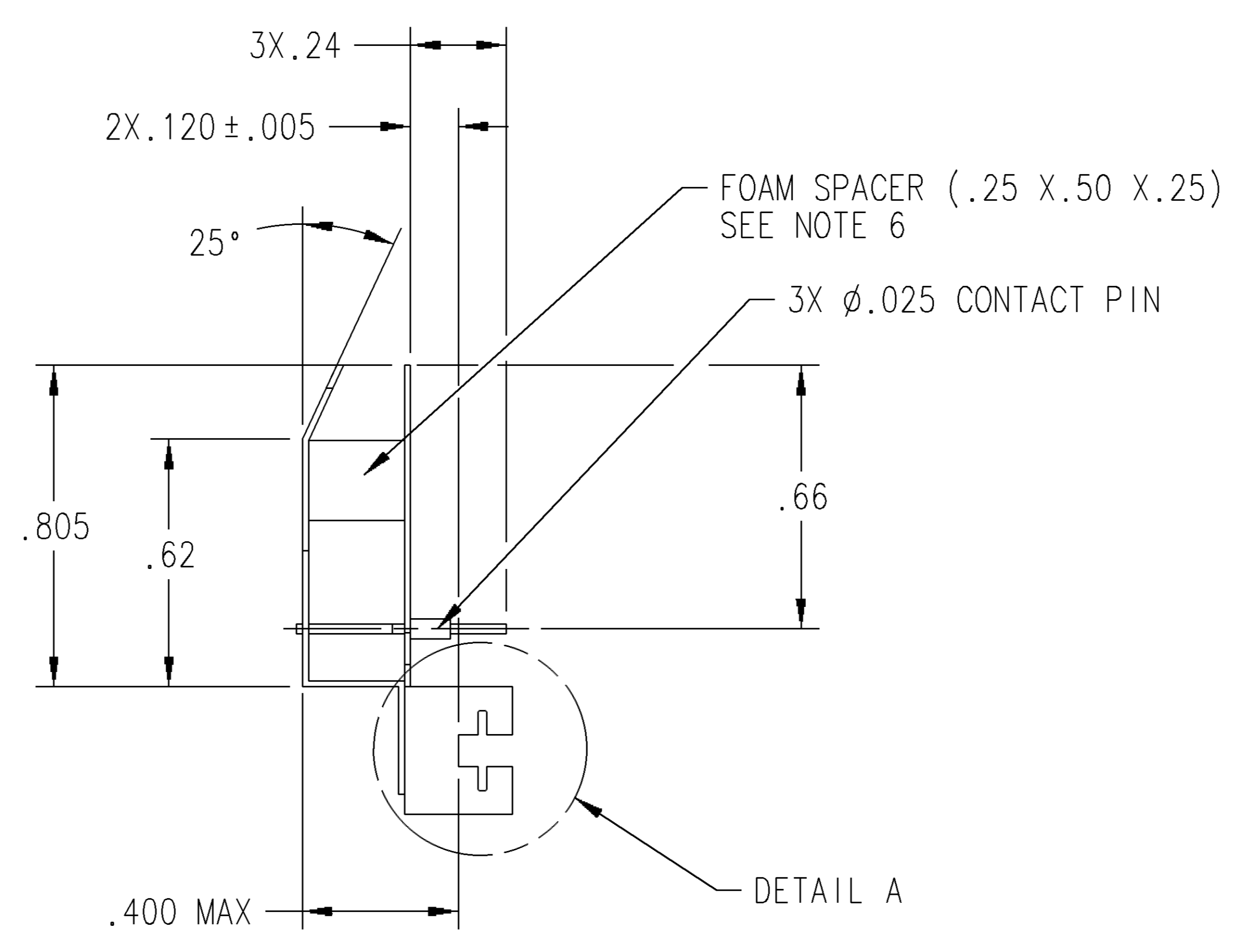
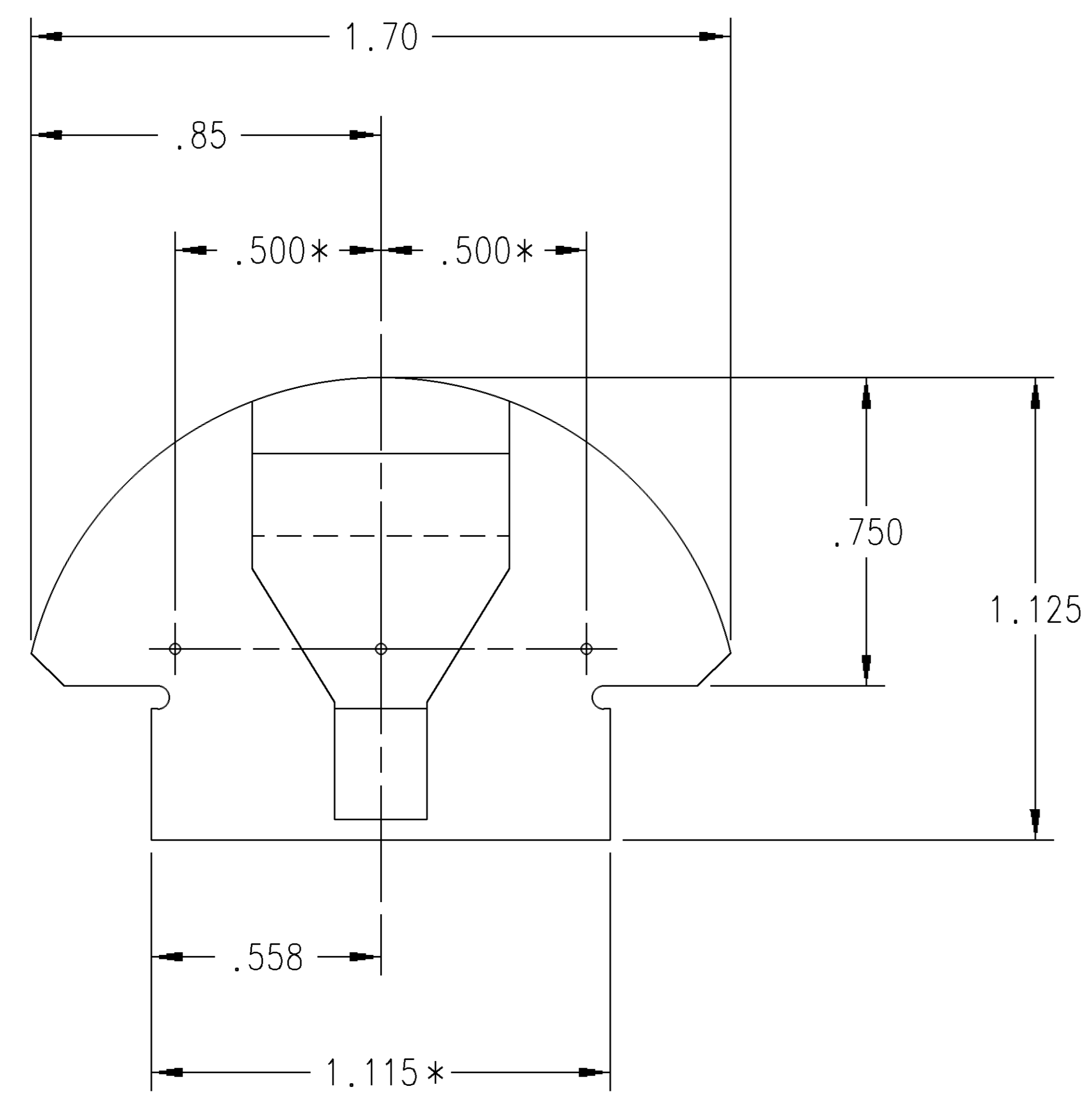
4

3

2

1

REVISIONS						
REV.	ZONE	NO.	DESCRIPTION	E.C.	BY	APVD. DATE
A			RELEASED PER EDR #52817		CT	



DETAIL A

SPECIFICATIONS

FREQUENCY: _____ 2.400-2.485 GHZ
 VSWR: _____ 2:1
 GAIN: _____ 0 dBi NOMINAL

NOTES: UNLESS OTHERWISE SPECIFIED

- TOLERANCES ON : .XX ±.03, .XXX ±.010, ANGLES ±.5°.
- MATERIAL: CRS 1008, .015 THK. BREAK SHARP CORNERS & EDGES .005 MAX. ALTERNATE: ELECTROLYTIC TIN.
- FINISH: BRIGHT TIN PLATE PER MIL-T-10727A, TYPE 1, ELECTRO DEPOSITED .00010-.00025 IN. FINISH SHALL BE UNIFORM AND EXHIBIT NO EVIDENCE OF CORROSION OR OXIDATION WHEN VIEWED WITH THE UNAIDED EYE. EDGE PLATING ON CUT OR SHEARED SURFACES IS NOT REQUIRED.
- PACKAGE ITEMS IN ACCORDANCE WITH STI GENERAL PACKAGING SPEC 50-04100-013.
- DIMENSIONS MARKED WITH AN (*) ARE INSPECTION CONTROL DIMENSIONS.
- FOAM SPACER TO BE FIRMLY ATTACHED TO ANTENNA SO THAT IT DOES NOT SEPARATE DURING THE LIFE OF THIS PRODUCT (5 YEARS).

ITEM	QTY.	PART NO.	DESCRIPTION	REMARKS/REF. SYMBOL																																					
<table border="1"> <tr> <td colspan="2">DIMENSIONS ARE IN INCHES</td> <td>APPROVALS</td> <td>DATE</td> <td rowspan="4" style="text-align: center;"> SYMBOL TECHNOLOGIES INC. Bohemia, New York ANTENNA: 2.4 GHZ, SCANNER, PHASER </td> </tr> <tr> <td colspan="2">UNLESS OTHERWISE SPECIFIED</td> <td>DRAWN JT</td> <td>4/19/99</td> </tr> <tr> <td colspan="2">.XX +/-</td> <td>CHECKED E.FRATIANNI</td> <td></td> </tr> <tr> <td colspan="2">.XXX +/-</td> <td>ENGINEER JT</td> <td>4/19/99</td> </tr> <tr> <td colspan="2">ANGLES ± 1°</td> <td colspan="2">MFG. ENG. J.CAVALLERI</td> <td></td> </tr> <tr> <td colspan="2">FRACTIONS ± 1/64</td> <td colspan="2">PRODUCT G.LASHER</td> <td>SIZE DWG. NO. 10-37834-01</td> </tr> <tr> <td colspan="2">MATERIAL:</td> <td colspan="2">QUALITY S.TOURY</td> <td>REV A</td> </tr> <tr> <td colspan="2">FINISH:</td> <td colspan="2"></td> <td>SCALE: 2/1 SOLID MODEL <input checked="" type="checkbox"/> SHEET 1 OF 1</td> </tr> </table>					DIMENSIONS ARE IN INCHES		APPROVALS	DATE	SYMBOL TECHNOLOGIES INC. Bohemia, New York ANTENNA: 2.4 GHZ, SCANNER, PHASER	UNLESS OTHERWISE SPECIFIED		DRAWN JT	4/19/99	.XX +/-		CHECKED E.FRATIANNI		.XXX +/-		ENGINEER JT	4/19/99	ANGLES ± 1°		MFG. ENG. J.CAVALLERI			FRACTIONS ± 1/64		PRODUCT G.LASHER		SIZE DWG. NO. 10-37834-01	MATERIAL:		QUALITY S.TOURY		REV A	FINISH:				SCALE: 2/1 SOLID MODEL <input checked="" type="checkbox"/> SHEET 1 OF 1
DIMENSIONS ARE IN INCHES		APPROVALS	DATE	SYMBOL TECHNOLOGIES INC. Bohemia, New York ANTENNA: 2.4 GHZ, SCANNER, PHASER																																					
UNLESS OTHERWISE SPECIFIED		DRAWN JT	4/19/99																																						
.XX +/-		CHECKED E.FRATIANNI																																							
.XXX +/-		ENGINEER JT	4/19/99																																						
ANGLES ± 1°		MFG. ENG. J.CAVALLERI																																							
FRACTIONS ± 1/64		PRODUCT G.LASHER		SIZE DWG. NO. 10-37834-01																																					
MATERIAL:		QUALITY S.TOURY		REV A																																					
FINISH:				SCALE: 2/1 SOLID MODEL <input checked="" type="checkbox"/> SHEET 1 OF 1																																					
			PHASER RF																																						
			NEXT ASSY USED ON	DO NOT SCALE DRAWING																																					

D

D

C

C

B

B

A

A

4

3

2

1

