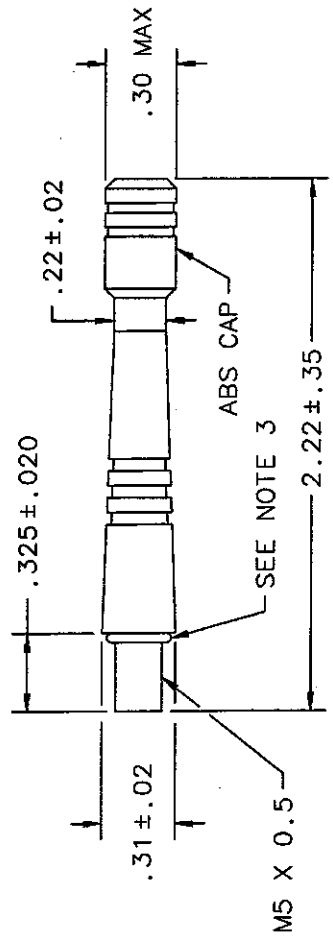


4 3 2 1

REVISIONS			
REV	APP	DESCRIPTION	DATE
A	MB	RELEASED PER EDR #55484	03/17/00



NOTES UNLESS OTHERWISE SPECIFIED

- 1) SPECIFICATIONS: GAIN: UNITY
VSWR 1.5:1 MAX AT RESONANCE
POWER RATING: 50 WATTS
IMPEDANCE: 50 OHMS NOMINAL
OPERATING TEMPERATURE: -40°C TO $+85^{\circ}\text{C}$
LINEAR PULL: 22LBS (10Kg) MINIMUM
FLEX TEST: 180° 50/MIN. 2.50" ABOVE BASE
- 2) PARTS SHALL MEET THE CRITERIA PER ST1 WORKMANSHIP STANDARD SS-03800-57.
- 3) INSTALL "O" RING, PARKER SEAL PART NUMBER 5-669 OR SYMBOL APPROVED EQUIVALENT.
- 4) PACKAGE ITEMS IN ACCORDANCE WITH ST1 GENERAL PACKAGING SPEC #50-04100-013.
1 PER PACKAGE WITH THE FOLLOWING IDENTIFICATION:
- SYMBOL PART NUMBER
- ID BARCODE OF SYMBOL PART NUMBER
- REVISION

APPROVALS	DATE	SYMBOL TECHNOLOGIES INC.
APPROVED BY: A. BUNTON	10/6/99	One Symbol Plaza Holtsville, NY 11742
CHECKED BY: M. SAVONA	10/6/99	
ENGINEER: C. THELEMAN	10/6/99	
APPROVED BY: J. DOBKOWSKI	10/6/99	
MFG. ENG.		
PRODUCT		
QUALITY		

SIZE	DWG. NO.	REV
B	10-38335-01	A
SCALE: 2:1		
SHEET 1 OF 1		

TOLERANCE CHART	
* UNLESS OTHERWISE SPECIFIED * DIMENSIONS ARE IN INCHES	
.XX	+/- .01
.XXX	+/- .005
.XXX	+/- .125
ANGLES ± 1° FRACTIONS ± 1/64	
COMPUTER GENERATED DRAWING DO NOT SCALE	

4 3 2 1

B

A

B

A