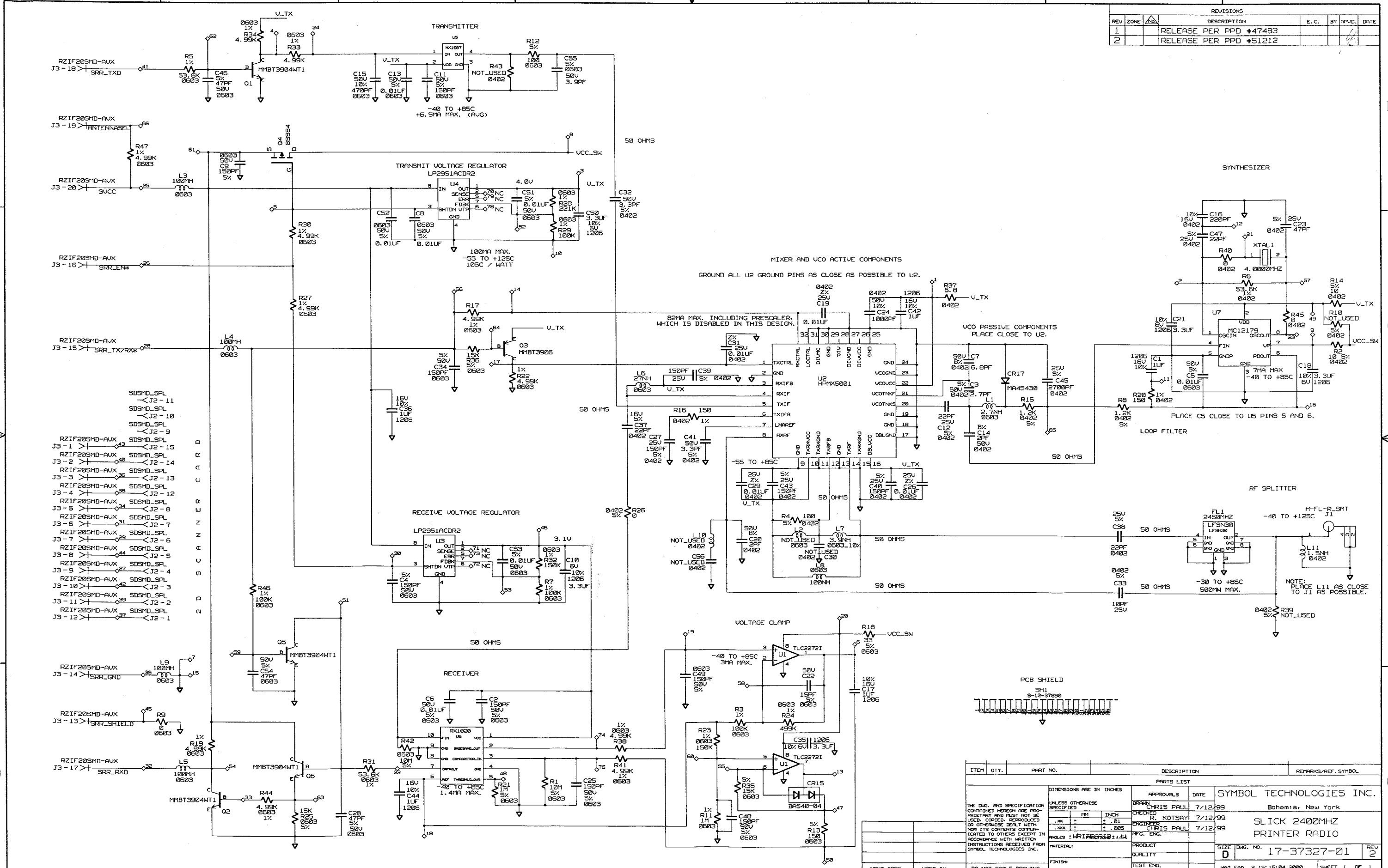


REV		ZONE	DESCRIPTION	E.C.	BY	APVD.	DATE
1			RELEASE PER PPD #47483				
2			RELEASE PER PPD #51212				



- SDSMD_SPL
 J2-11
 SDSMD_SPL
 J2-10
 SDSMD_SPL
 J2-9
 RZIF20SMD-AUX SDSMD_SPL J2-15
 RZIF20SMD-AUX SDSMD_SPL J2-14
 RZIF20SMD-AUX SDSMD_SPL J2-13
 RZIF20SMD-AUX SDSMD_SPL J2-12
 RZIF20SMD-AUX SDSMD_SPL J2-8
 RZIF20SMD-AUX SDSMD_SPL J2-7
 RZIF20SMD-AUX SDSMD_SPL J2-6
 RZIF20SMD-AUX SDSMD_SPL J2-5
 RZIF20SMD-AUX SDSMD_SPL J2-4
 RZIF20SMD-AUX SDSMD_SPL J2-3
 RZIF20SMD-AUX SDSMD_SPL J2-2
 RZIF20SMD-AUX SDSMD_SPL J2-1

ITEM	QTY.	PART NO.	DESCRIPTION	REMARKS/REF. SYMBOL
PARTS LIST				
DIMENSIONS ARE IN INCHES UNLESS OTHERWISE SPECIFIED				
APPROVALS DATE SYMBOL TECHNOLOGIES INC. Bohemia, New York				
THE ENG. AND SPECIFICATION CONTAINED HEREON ARE PROPRIETARY AND MUST NOT BE USED, COPIED, REPRODUCED OR OTHERWISE DEALT WITH WITHOUT THE WRITTEN INSTRUCTIONS RECEIVED FROM SYMBOL TECHNOLOGIES INC.				
MATERIAL: PRODUCT QUALITY TEST ENG.				
SIZE Dwg. No. 17-37327-01 REV 2				
Wed Feb 2 15:15:04 2000 SHEET 1 OF 1				