

For Embedded Windows® CE .NET
 Licensing, Patent and Regulatory Information

MC906R-G RFID

© 2004 SYMBOL TECHNOLOGIES, INC. All rights reserved.

Symbol reserves the right to make changes to any product to improve reliability, function, or design.

Symbol does not assume any product liability arising out of, or in connection with, the application or use of any product, circuit, or application described herein.

No license is granted, either expressly or by implication, estoppel, or otherwise under any patent right or patent, covering or relating to any combination, system, apparatus, machine, material, method, or process in which Symbol products might be used. An implied license exists only for equipment, circuits, and subsystems contained in Symbol products.

Symbol and the Symbol logo are registered trademarks of Symbol Technologies, Inc. Other product names mentioned in this manual may be trademarks or registered trademarks of their respective companies and are hereby acknowledged.

Symbol Technologies, Inc.
 One Symbol Plaza
 Holtsville, N.Y. 11742-1300
<http://www.symbol.com>

Patents

This product is covered by one or more of the patents listed on the website:
www.symbol.com/patents.

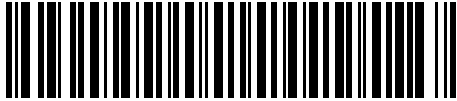
Ergonomic Recommendations

Caution: In order to avoid or minimize the potential risk of ergonomic injury follow the recommendations below. Consult with your local Health & Safety Manager to ensure that you are adhering to your company's safety programs to prevent employee injury.

- Reduce or eliminate repetitive motion
- Maintain a natural/neutral position
- Reduce or eliminate excessive force
- Keep objects that are used frequently within easy reach
- Perform tasks at correct heights
- Reduce or eliminate vibration
- Reduce or eliminate direct pressure
- Provide adjustable workstations
- Provide adequate clearance
- Provide a suitable working environment
- Improve work procedures.

Revision B — October 2004

72-68921-01



For the latest version of this guide go to: <http://www.symbol.com/manuals>.

United States	1-800-653-5350	Canada	1-866-416-8545 (inside Canada)
	1-631-738-2400		905-629-7226 (outside Canada)

Center:

If you have a problem running your unit or using your equipment, contact your facility's Technical or Systems Support. If there is a problem with the equipment, they will contact the Symbol Support applications.

Before you use the unit, it must be configured to operate in your facility's network and run your

Service Information

(A) Warranty Symbol Technologies (hereafter "Seller") hardware Products are warranted against defects in workmanship and materials for a period of twelve (12) months from the date of shipment, unless otherwise provided by Seller in writing, provided the Product remains unmodified and is operated under normal and proper conditions. Warranty provisions and durations on software, integrated installed systems, Product modified to meet specific customer specifications ("Custom Products"), custom manufactured products, and reconditioned/upgraded products, shall be as provided in the applicable Product specification in effect at the time of purchase or in the accompanying software license.

(B) Spare Parts Spare parts (i.e. parts, components, or subassemblies sold by Seller for use in the service and maintenance of Products) are warranted against defects in workmanship and materials for a period of thirty (30) days from the date of shipment. Spare parts may be new or originate from returned units under the conditions set forth in subsection D below.

(C) Repair of Symbol-branded hardware Products under this Agreement, including repairs covered by warranty, the repair services provided are warranted against defects in workmanship and materials on the repaired component or Product for a period of thirty (30) days from the shipment date of the repaired Product, or until the end of the original warranty period, whichever is longer.

(D) Product Service Products may be serviced or manufactured with parts, components, or subassemblies that originate from returned products and that have been tested as meeting applicable specifications for equivalent new material and Products. The sole obligation of Seller for defective hardware Products is limited to repair or replacement (at Seller's option) on a "return to service" basis with prior Seller authorization. Customer is responsible for shipping to the Seller and assumes all costs and risks associated with this transportation, return shipment to the Customer will be at Seller's expense. Customer shall be responsible for return shipment charges for product returned where Seller determines there is no defect ("No Defect Found") or for product returned where return shipment charges are not eligible for warranty repair. No charge will be made to Buyer for replacement parts for warranty repairs. Seller is not responsible for any damage to or loss of any software programs, data or removable data storage media, or the restoration or reinstallation of any software programs or data other than repair. If any installed by Seller during manufacture of the Product.

(E) Original Warranty Period Except for the warranty applying solely to the repaired component arising from a repair service as provided in Section C above, the aforementioned provisions do not extend the original warranty period of any Product that had either been repaired or replaced by Seller.

(F) Warranty Provisions The above warranty provisions shall not apply to any Product (i) which has been repaired, tampered with, altered or modified, except by Seller's authorized service personnel; (ii) in which the defects or damage to the Product result from normal wear and tear, misuse, negligence, improper storage, water or other liquids, battery leakage, use of parts or accessories not approved or supplied by Seller; or failure to perform operator maintenance instructions supplied by Seller; (iii) which has been subjected to unusual physical or electrical stress, abuse, or forces or exposure beyond normal use within the specified operational and environmental parameters set forth in the applicable Product specification; nor shall the above warranty provisions apply to any expendable or consumable items, such as batteries supplied with the Product.

EXCEPT FOR THE WARRANTY OF TITLE AND THE EXPRESS WARRANTIES STATED ABOVE, SELLER DISCLAIMS ALL WARRANTIES ON PRODUCTS FINISHED HEREINAFTER INCLUDING ALL IMPLIED WARRANTIES OF MERCHANTABILITY AND FITNESS FOR A PARTICULAR USE. ANY IMPLIED WARRANTIES THAT MAY BE IMPOSED BY LAW, ARE LIMITED IN DURATION TO THE LIMITED WARRANTY PERIOD. SOME STATES OR COUNTRIES DO NOT ALLOW A LIMITED WARRANTY OR THE EXCLUSION OR LIMITATION OF INCIDENTAL OR CONSEQUENTIAL DAMAGES FOR CONSUMER PRODUCTS. IN SUCH STATES OR COUNTRIES, FOR SUCH PRODUCTS, SOME EXCLUSIONS OR LIMITATIONS OF THIS LIMITED WARRANTY MAY NOT APPLY.

The stated express warranties are in lieu of all obligations or liabilities on the part of Seller for damages, including but not limited to, special, indirect or consequential damages arising out of or in connection with the use or performance of the Product or service. Seller's liability for damages to Buyer or others resulting from the use of any Product or service furnished hereunder shall in no way exceed the purchase price of said Product or the fair market value of said service, except in instances of injury to persons or property.



FCC RF Exposure Guidelines

Reducing RF Exposure - Use Properly

It is advisable to use the device only in the normal operating position and it is recommended that no part of the human body be allowed to come too close to the antenna during operation of the equipment.

Handheld Devices

This device was tested for typical handheld and body-worn operation. The use of third-party belt-clips, holsters, and similar accessories should not be used. The use of these unauthorized accessories may not comply with FCC RF exposure compliance requirements, and should be avoided.

To comply with FCC RF exposure requirements, the RFID capabilities of this device must be operated in the hand and must operate with a minimum separation distance of 24.1 cm or more from a person's body. Other operating configurations should be avoided.



Laser Devices

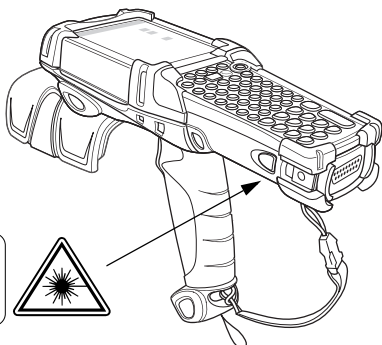
Symbol devices using lasers comply with US 21CFR1040.10, and IEC825-1:1993, EN60825-1:1994+A11:1996. The laser classification is marked on one of the labels on the device. Class 1 Laser devices are not considered to be hazardous when used for their intended purpose. The following statement is required to comply with US and international regulations:

Caution: Use of controls, adjustments or performance of procedures other than those specified herein may result in hazardous laser light exposure.

- Class 2 laser scanners use a low power, visible light diode. As with any very bright light source, such as the sun, the user should avoid staring directly into the light beam. Momentary exposure to a Class 2 laser is not known to be harmful.

Scanner Labeling

CAUTION- LASER LIGHT WHEN OPEN. DO NOT STARE INTO BEAM.
 ATTENTION- LUMIÈRE LASER EN CAS D'OUVERTURE. NE PAS REGARDER DANS LE FAISCEAU.
 VORSICHT- LASERLICHT, WENN ABDECKUNG GEÖFFNET. NICHT IN DEN STRAHL BLICK
 COMPLIES WITH 21CFR1040.10, IEC 825-1:1993/EN60825-1:1994 + A11:1996



LASERLICHT - NICHT IN DEN STRAHL BLICKEN.
 LASER KLASSE 2
 LUMIÈRE LASER - NE PAS REGARDER DANS
 LE FAISCEAU APPAREIL À LASER DE CLASSE 2.
 CAUTION-LASER LIGHT. DO NOT STARE INTO BEAM.
 CLASS 2 LASER PRODUCT 630-680 nM, 1 mW



Laser Labels

In accordance with Clause 5, IEC 825 and EN60825, the following information is provided to the user:



ENGLISH

CLASS 1 CLASS 1 LASER PRODUCT
 CLASS 2 LASER LIGHT
 DO NOT STARE INTO BEAM
 CLASS 2 LASER PRODUCT

DANISH / DANSK

KLASSE 1 KLASSE 1 LASERPRODUKT
 KLASSE 2 LASERLYF
 SE IKKE IND I STRÅLEN
 KLASSE 2 LASERPRODUKT

DUTCH / NEDERLANDS

KLASSE 1 KLASSE-1 LASERPRODUKT
 KLASSE 2 LASERLICHT
 NIET IN STRAAL STAREN
 KLASSE-2 LASERPRODUKT

FINNISH / SUOMI

LUOKKA 1 LUOKKA 1 LASERTUOTE
 LUOKKA 2 LASERVALO
 ÄLÄ TUJOTA SÄDETTÄ
 LUOKKA 2 LASERTUOTE

FRENCH / FRANÇAIS

CLASSE 1 PRODUIT LASER DE CLASSE 1
 CLASSE 2 LUMIÈRE LASER
 NE PAS REGARDER LE RAYON FIXEMENT
 PRODUIT LASER DE CLASSE 2

GERMAN / DEUTCH

KLASSE 1 LASERPRODUKT DER KLASSE 1
 KLASSE 2 LASERSTRAHLEN
 NICHT DIREKT IN DEN LASERSTRAHL SCHAUEN
 LASERPRODUKT DER KLASSE 2

HEBREW

1 מוצר לייזר רמה 1 רמה 1
 2 אור לייזר רמה 2 רמה 2
 אין להביט אל תוך חודים מוצר לייזר רמה 2

ITALIAN / ITALIANO

CLASSE 1 PRODOTTO AL LASER DI CLASSE 1
 CLASSE 2 LUCE LASER
 NON FISSARE IL RAGGIOPRODOTTO
 AL LASER DI CLASSE 2

NORWEGIAN / NORSK

KLASSE 1 LASERPRODUKT, KLASSE 1
 KLASSE 2 LASERLYS IKKE STIRR INN I LYSSTRÅLEN
 LASERPRODUKT, KLASSE 2

PORTUGUESE / PORTUGUÊS

CLASSE 1 PRODUTO LASER DA CLASSE 1
 CLASSE 2 LUZ DE LASER NÃO FIXAR O RAIOS LUMINOSO
 PRODUTO LASER DA CLASSE 2

SPANISH / ESPAÑOL

CLASE 1 PRODUCTO LASER DE LA CLASE 1
 CLASE 2 LUZ LASER
 NO MIRE FJAMENTE EL HAZ
 PRODUCTO LASER DE LA CLASE 2

SWEDISH / SVENSKA

KLASS 1 LASERPRODUKT KLASS 1
 KLASS 2 LASERLJUS STIRRA INTE MOT STRÅLEN
 LASERPRODUKT KLASS 2

Radio Frequency Interference Requirements

Note: This equipment has been tested and found to comply with the limits for a Class B digital device, pursuant to Part 15 of the FCC rules. These limits are designed to provide reasonable protection against harmful interference in a residential installation. This equipment generates, uses and can radiate radio frequency energy and, if not installed and used in accordance with the instructions, may cause harmful interference to radio communications. However there is no guarantee that interference will not occur in a particular installation. If this equipment does cause harmful interference to radio or television reception, which can be determined by turning the equipment off and on, the user is encouraged to try to correct the interference by one or more of the following measures:



- Reorient or relocate the receiving antenna.
- Increase the separation between the equipment and receiver.
- Connect the equipment into an outlet on a circuit different from that to which the receiver is connected.
- Consult the dealer or an experienced radio/TV technician for help.

Radio Transmitters (Part 15)

This device complies with Part 15 of the FCC Rules. Operation is subject to the following two conditions: (1) this device may not cause harmful interference, and (2) this device must accept any interference received, including interference that may cause undesired operation.

Radio Frequency Interference Requirements - Canada

This Class B digital apparatus complies with Canadian ICES-003.

Cet appareil numérique de la classe B est conforme à la norme NMB-003 du Canada.

Radio Transmitters

This device complies with RSS 210 of Industry & Science Canada. Operation is subject to the following two conditions: (1) this device may not cause harmful interference and (2) this device must accept any interference received, including interference that may cause undesired operation.

Label Marking: The Term "IC:" before the radio certification only signifies that Industry Canada technical specifications were met.

Battery Information

Symbol rechargeable battery packs are designed and constructed to the highest standards within the industry.

However, there are limitations to how long a battery can operate or be stored before needing replacement. Many factors affect the actual life cycle of a battery pack, such as heat, cold, harsh environmental conditions and severe drops.

When batteries are stored over six (6) months, some irreversible deterioration in overall battery quality may occur. Store batteries discharged in a dry, cool place, removed from the equipment to prevent loss of capacity, rusting of metallic parts and electrolyte leakage.

When storing batteries for one year or longer, they should be charged and discharged at least once a year. If an electrolyte leakage is observed, avoid any contact with affected area and properly dispose of the battery.

Replace the battery when a significant loss of run time is detected.

Standard warranty period for all Symbol batteries is 30 days, regardless if the battery was purchased separately or included as part of the mobile computer or bar code scanner. For more information on Symbol batteries, please visit: <http://mysymbolcare.symbol.com/battery/batbasics1.html>.