



# DFS TEST REPORT

**REPORT NO.:** RF970123L04-5  
**MODEL NO.:** MC7596  
**RECEIVED:** Jan. 23, 2008  
**TESTED:** Feb. 21 ~ Feb. 27, 2008  
**ISSUED:** Feb. 27, 2008

**APPLICANT:** Symbol Technologies, Inc.

**ADDRESS:** One Symbol Plaza, Holtsville, NY 11742-1300  
USA

**ISSUED BY:** Advance Data Technology Corporation

**LAB ADDRESS:** No. 47, 14<sup>th</sup> Ling, Chia Pau Tsuen, Lin Kou Hsiang  
244, Taipei Hsien, Taiwan, R.O.C.

**TEST LOCATION:** No. 19, Hwa Ya 2<sup>nd</sup> Rd., Wen Hwa Tsuen, Kwei  
Shan Hsiang, Taoyuan Hsien 333, Taiwan, R.O.C.

This test report consists of 21 pages in total. It may be duplicated completely for legal use with the approval of the applicant. It should not be reproduced except in full, without the written approval of our laboratory. The client should not use it to claim product endorsement by TAF, A2LA or any government agencies. The test results in the report only apply to the tested sample.





## Table of Contents

1.	LAB DECLARATION .....	3
2.	EUT INFORMATION .....	4
2.1	OPERATING FREQUENCY BANDS AND MODE OF EUT .....	4
2.2	EUT SOFTWARE AND FIRMWARE VERSION .....	4
2.3	DESCRIPTION OF AVAILABLE ANTENNAS TO THE EUT .....	4
2.4	EUT MAXIMUM AND MINIMUM CONDUCTED POWER .....	5
2.5	EUT MAXIMUM AND MINIMUM E.I.R.P. POWER .....	6
2.6	STATEMENT OF MAUNFACTURER .....	6
3.	NII DFS RULE REQUIREMENTS .....	7
3.1	WORKING MODES AND REQUIRED TEST ITEMS .....	7
3.2	TEST LIMITS AND RADAR SIGNAL PARAMETERS .....	8
4.	TEST & SUPPORT EQUIPMENT LIST .....	10
4.1	TEST INSTRUMENTS .....	10
4.2	DESCRIPTION OF SUPPORT UNITS .....	10
5.	TEST PROCEDURE .....	11
5.1	ADT DFS MEASUREMENT SYSTEM:.....	11
5.2	CALIBRATION OF DFS DETECTION THRESHOLD LEVEL:.....	12
5.3	DEVIATION FROM TEST STANDARD .....	13
5.4	CONDUCTED TEST SETUP CONFIGURATION .....	13
5.4.1	CLIENT WITHOUT RADAR DETECTION MODE .....	13
6.	TEST RESULTS.....	14
6.1	SUMMARY OF TEST RESULT .....	14
6.2	DETELED TEST RESULTS .....	15
6.2.1	TEST MODE: DEVICE OPERATING IN CLIENT WITHOUT RADAR DETECTION MODE.....	15
6.2.1.1	DFS DETECTION THRESHOLD .....	15
6.2.1.2	CHANNEL CLOSING TRANSMISSION AND CHANNEL MOVE TIME...	16
7.	TESTING LABORATORIES INFORMATION .....	20
8.	APPENDIX .....	21
8.1	APPENDIX-A MODIFICATIONS OR ADDING COMPONENTS DURING THE TEST .....	21



## 1. LAB DECLARATION

**PRODUCT:** EDA (Enterprise Digital Assistant)  
**BRAND NAME:** Symbol  
**MODEL NO.:** MC7596  
**TEST SAMPLE:** ENGINEERING SAMPLE  
**TESTED:** Feb. 21 ~ Feb. 27, 2008  
**APPLICANT:** Symbol Technologies, Inc.  
**STANDARDS:** **FCC Part 15, Subpart E (Section 15.407)**  
**FCC 06-96**

The above equipment (Model: MC7596) has been tested by **Advance Data Technology Corporation**, and found compliance with the requirement of the above standards. The test record, data evaluation & Equipment Under Test (EUT) configurations represented herein are true and accurate accounts of the measurements of the sample's EMC characteristics under the conditions specified in this report.

**PREPARED BY :** *Peggy Chen* , **DATE:** Feb. 27, 2008  
Peggy Chen / Specialist

**TECHNICAL ACCEPTANCE :** *Dylan Chiou* , **DATE:** Feb. 27, 2008  
Responsible for RF Dylan Chiou / Senior Engineer

**APPROVED BY :** *Gary Chang* , **DATE:** Feb. 27, 2008  
Gary Chang / Assistant Manager

## 2. EUT INFORMATION

### 2.1 OPERATING FREQUENCY BANDS AND MODE OF EUT

Table 1: Operating frequency bands and mode of EUT.

Operational Mode	Operating Frequency Range	
	5250~5350MHz	5470~5725MHz
Client without radar detection and Ad hoc mode	✓	✓

### 2.2 EUT SOFTWARE AND FIRMWARE VERSION

Table 2: The EUT software/firmware version.

No.	Product	Model No.	Software/Firmware Version
1	EDA (Enterprise Digital Assistant)	MC7596	Software: BSP_16

### 2.3 DESCRIPTION OF AVAILABLE ANTENNAS TO THE EUT

Table 3: Antenna list.

<b>ANTENNA TYPE(S)</b>	Inverted F antenna Planar inverted antenna
<b>MAX. ANTENNA GAIN</b>	3.5dBi

## 2.4 EUT MAXIMUM AND MINIMUM CONDUCTED POWER

Table 4: The measured conducted output power.

IEEE 802.11A

Frequency Band(MHz)	MAX. Power		MIN. Power	
	Output Power(dBm)	Output Power(mW)	Output Power(dBm)	Output Power(mW)
5250~5350MHz	12.24	16.75	5.91	3.90
5470~5725MHz	14.28	26.79	2.20	1.66

## 2.5 EUT MAXIMUM AND MINIMUM E.I.R.P. POWER

Table 5: The E.I.R.P output power list.

### IEEE 802.11A

Frequency Band(MHz)	MAX. Power		MIN. Power	
	Output Power(dBm)	Output Power(mW)	Output Power(dBm)	Output Power(mW)
5250~5350MHz	15.74	37.50	9.41	8.73
5470~5725MHz	17.78	59.98	5.70	3.72

## 2.6 STATEMENT OF MAUNFACTURER

Manufacturer statement confirming that information regarding the parameters of the detected Radar Waveforms is not available to the end user. **And the device doesn't have Ad Hoc mode on DFS frequency band.**

### 3. NII DFS RULE REQUIREMENTS

#### 3.1 WORKING MODES AND REQUIRED TEST ITEMS

The manufacturer shall state whether the UUT is capable of operating as a Master and/or a Client. If the UUT is capable of operating in more than one operating mode then each operating mode shall be tested separately. See tables 1 and 2 for the applicability of DFS requirements for each of the operational modes.

**Table 6: Applicability of DFS requirements prior to use a channel**

Requirement	Operational Mode		
	Master	Client without radar detection	Client with radar detection
Non-Occupancy Period	✓	Not required	✓
DFS Detection Threshold	✓	Not required	✓
Channel Availability Check Time	✓	Not required	Not required
Uniform Spreading	✓	Not required	Not required
U-NII Detection Bandwidth	✓	Not required	✓

**Table 7: Applicability of DFS requirements during normal operation.**

Requirement	Operational Mode		
	Master	Client without radar detection	Client with radar detection
DFS Detection Threshold	✓	Not required	✓
Channel Closing Transmission Time	✓	✓	✓
Channel Move Time	✓	✓	✓
U-NII Detection Bandwidth	✓	Not required	✓

### 3.2 TEST LIMITS AND RADAR SIGNAL PARAMETERS

#### DETECTION THRESHOLD VALUES

**Table 8: DFS Detection Thresholds for Master Devices and Client Devices With Radar Detection.**

Maximum Transmit Power	Value (See Notes 1 and 2)
≥ 200 milliwatt	-64 dBm
< 200 milliwatt	-62 dBm

Note 1: This is the level at the input of the receiver assuming a 0 dBi receive antenna.  
 Note 2: Throughout these test procedures an additional 1 dB has been added to the amplitude of the test transmission waveforms to account for variations in measurement equipment. This will ensure that the test signal is at or above the detection threshold level to trigger a DFS response.

**Table 9: DFS Response Requirement Values**

Parameter	Value
Non-occupancy period	Minimum 30 minutes
Channel Availability Check Time	60 seconds
Channel Move Time	10 seconds See Note 1.
Channel Closing Transmission Time	200 milliseconds + an aggregate of 60 milliseconds over remaining 10 second period. See Notes 1 and 2.
U-NII Detection Bandwidth	Minimum 80% of the UNII 99% transmission power bandwidth. See Note 3.

**Note 1:** The instant that the Channel Move Time and the Channel Closing Transmission Time begins is as follows:  
 • For the Short Pulse Radar Test Signals this instant is the end of the Burst.  
 • For the Frequency Hopping radar Test Signal, this instant is the end of the last radar Burst generated.  
 • For the Long Pulse Radar Test Signal this instant is the end of the 12 second period defining the Radar Waveform.  
**Note 2:** The Channel Closing Transmission Time is comprised of 200 milliseconds starting at the beginning of the Channel Move Time plus any additional intermittent control signals required to facilitate a Channel move (an aggregate of 60 milliseconds) during the remainder of the 10 second period. The aggregate duration of control signals will not count quiet periods in between transmissions.  
**Note 3:** During the U-NII Detection Bandwidth detection test, radar type 1 is used and for each frequency step the minimum percentage of detection is 90 percent. Measurements are performed with no data traffic.



## PARAMETERS OF DFS TEST SIGNALS

Step intervals of 0.1 microsecond for Pulse Width, 1 microsecond for PRI, 1 MHz for chirp width and 1 for the number of pulses will be utilized for the random determination of specific test waveforms.

**Table 10: Short Pulse Radar Test Waveforms.**

Radar Type	Pulse Width (μsec)	PRI (μsec)	Number of Pulses	Minimum Percentage of Successful Detection	Minimum Number of Trials
1	1	1428	18	60%	30
2	1-5	150-230	23-29	60%	30
3	6-10	200-500	16-18	60%	30
4	11-20	200-500	12-16	60%	30
Aggregate (Radar Types 1-4)				80%	120

**Table 11: Long Pulse Radar Test Waveform**

Radar Type	Pulse Width (μsec)	Chirp Width (MHz)	PRI (μsec)	Number of Pulses per Burst	Number of Bursts	Minimum Percentage of Successful Detection	Minimum Number of Trials
5	50-100	5-20	1000-2000	1-3	8-20	80%	30

**Table 12: Frequency Hopping Radar Test Waveform**

Radar Type	Pulse Width (μsec)	PRI (μsec)	Pulses per Hop	Hopping Rate (kHz)	Hopping Sequence Length (msec)	Minimum Percentage of Successful Detection	Minimum Number of Trials
6	1	333	9	0.333	300	70%	30

## 4. TEST & SUPPORT EQUIPMENT LIST

### 4.1 TEST INSTRUMENTS

Table 1: Test instruments list.

DESCRIPTION & MANUFACTURER	MODEL NO.	BRAND	CALIBRATED UNTIL
R&S Spectrum analyzer	FSP40	R&S	Jun. 28, 2008
Signal generator	8645A	Agilent	May 27, 2008
Oscilloscope	TDS 5104	Tektronix	Aug. 30, 2008

### 4.2 DESCRIPTION OF SUPPORT UNITS

Table 2: Support Unit information.

No.	Product	Brand	Model No.	FCC ID	Spec.
1	802.11a/b/g Access Point	Cisco	AIR-AP1242 AG-A-K9	LDK102056	

Note: This device was functioned as a Master Slave device during the DFS test.

Table 3: Software/Firmware information.

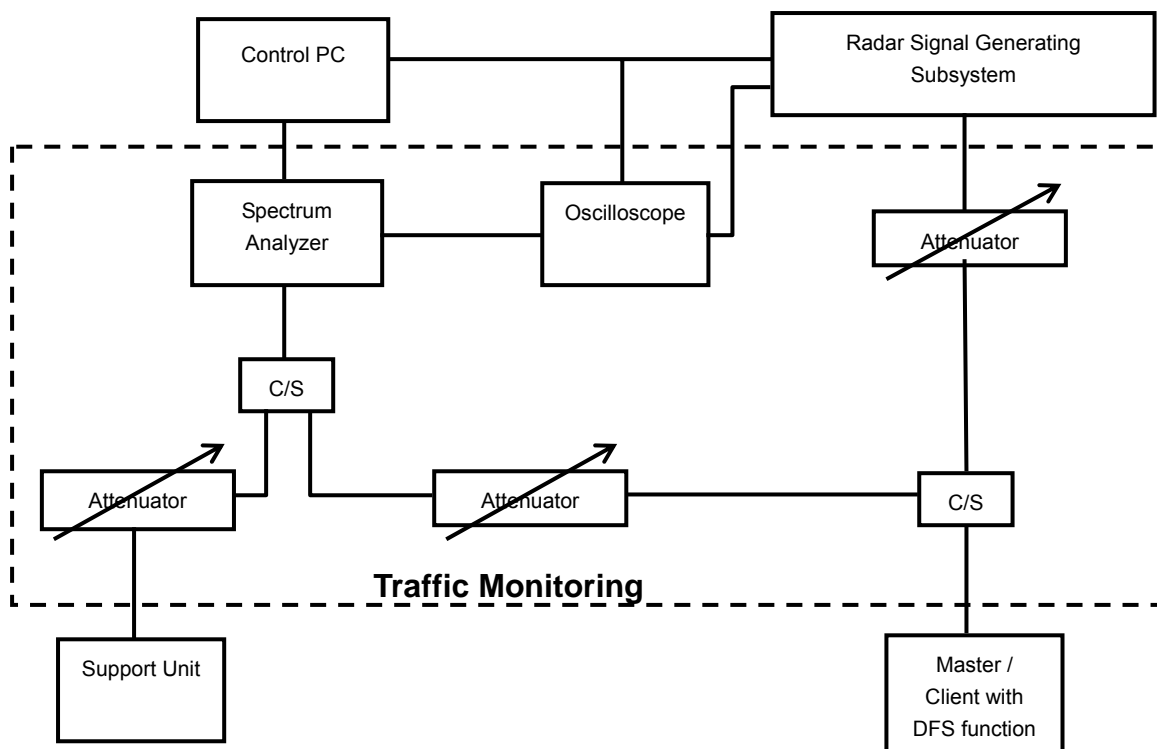
No.	Product	Model No.	Software/Firmware Version
1.	802.11a/b/g Access Point	AIR-AP1242AG-A-K9	C1240-K9W7-TAR.123-8.JEA

## 5. TEST PROCEDURE

### 5.1 ADT DFS MEASUREMENT SYSTEM:

A complete ADT DFS Measurement System consists of two subsystems: (1) the Radar Signal Generating Subsystem and (2) the Traffic Monitoring Subsystem. The control PC is necessary for generating the Radar waveforms in Table 6, 7 and 8. The traffic monitoring subsystem is specified to the type of unit under test (UUT).

#### Conducted setup configuration of ADT DFS Measurement System



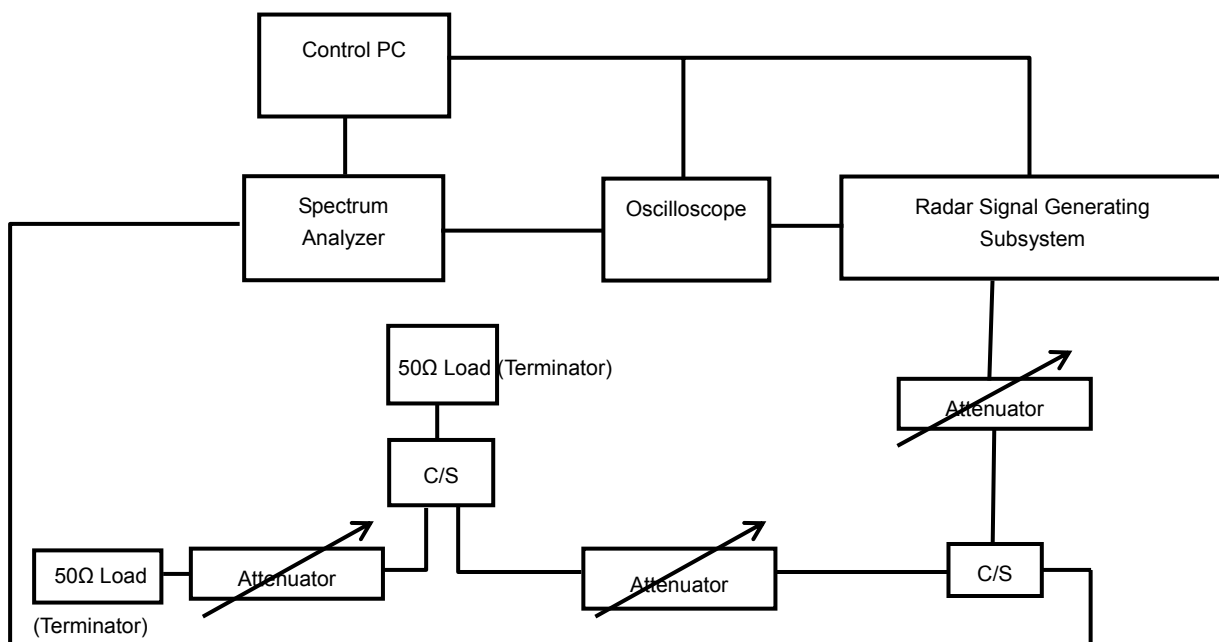
The test transmission will always be from the Master Device to the Client Device. While the Client device is set up to associate with the Master device and play the MPEG file (6  $\frac{1}{2}$  Magic Hours) from Master device, the designated MPEG test file and instructions are located at:

<http://ntiacsd.ntia.doc.gov/dfs/>.

## 5.2 CALIBRATION OF DFS DETECTION THRESHOLD LEVEL:

The measured channel is 5500MHz. The radar signal was the same as transmitted channels, and injected into the antenna port of AP (master) or Client Device with Radar Detection, measured the channel closing transmission time and channel move time. The Cisco Master antenna gain is 3dBi and required detection threshold is  $-58\text{dBm}$  ( $= -62 + 1 + 3$ )dBm. The calibrated conducted detection threshold level is set to  $-59\text{dBm}$ . The tested level is lower than required level hence it provides margin to the limit.

### Conducted setup configuration of Calibration of DFS Detection Threshold Level

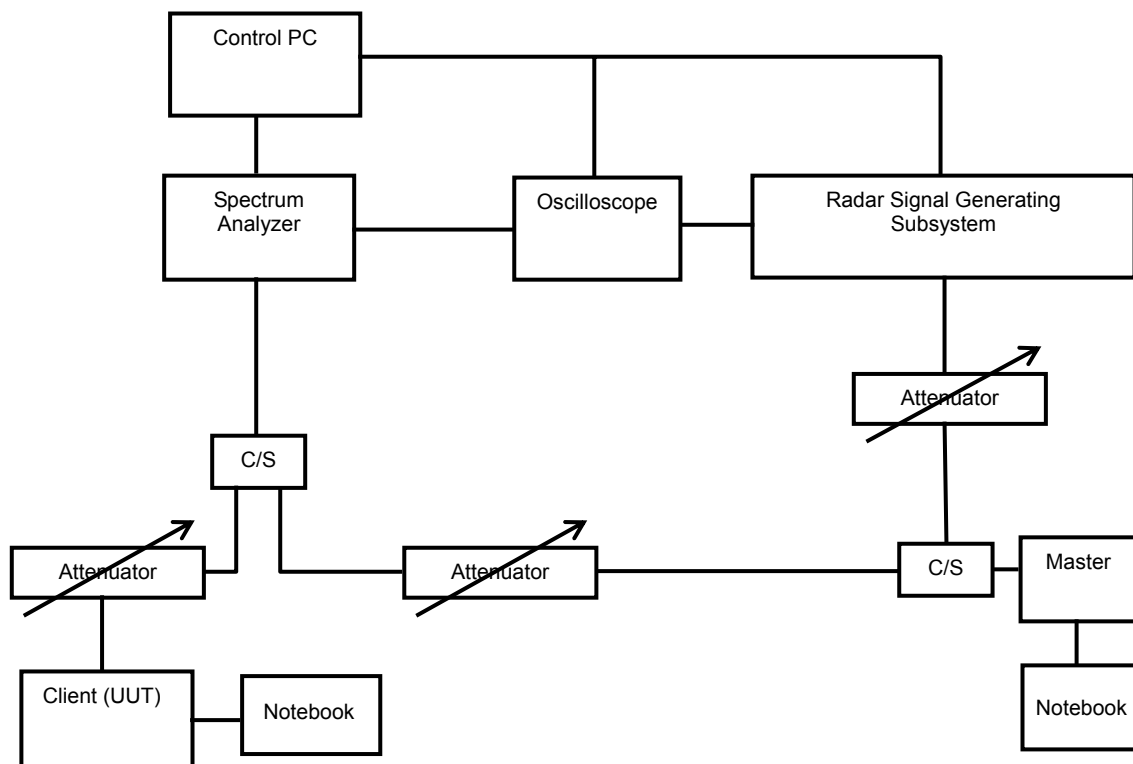


### 5.3 DEVIATION FROM TEST STANDARD

No deviation.

### 5.4 CONDUCTED TEST SETUP CONFIGURATION

#### 5.4.1 CLIENT WITHOUT RADAR DETECTION MODE



The UUT is a U-NII Device operating in Client mode without radar detection. The radar test signals are injected into the Master Device.

## 6. TEST RESULTS

### 6.1 SUMMARY OF TEST RESULT

Clause	Test Parameter	Remarks	Pass/Fail
15.407	DFS Detection Threshold	Not Applicable	NA
15.407	Channel Availability Check Time	Not Applicable	NA
15.407	Channel Move Time	Applicable	Pass
15.407	Channel Closing Transmission Time	Applicable	Pass
15.407	Non- Occupancy Period	Applicable	Pass
15.407	Uniform Spreading	Not Applicable	NA
15.407	U-NII Detection Bandwidth	Not Applicable	NA

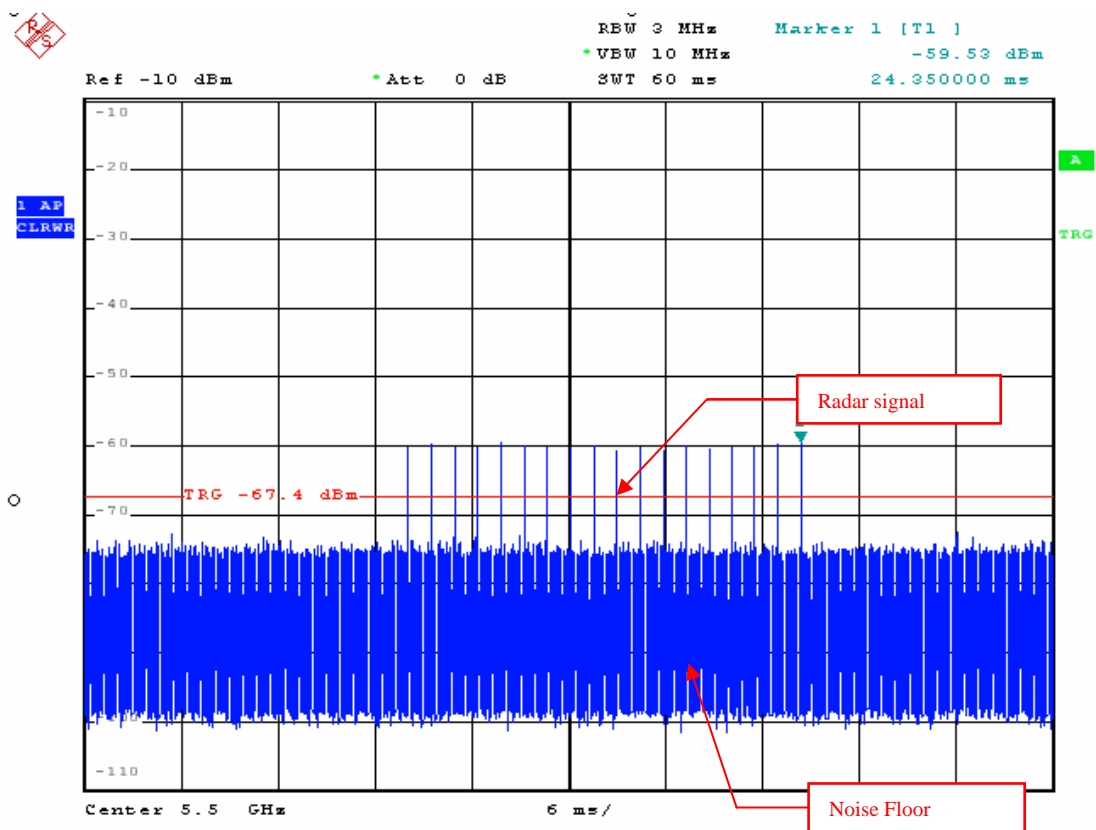
## 6.2 DETELED TEST RESULTS

### 6.2.1 TEST MODE: DEVICE OPERATING IN CLIENT WITHOUT RADAR DETECTION MODE.

Client with injection at the Master. (The radar test signals are injected into the Master Device.

#### 6.2.1.1 DFS DETECTION THRESHOLD

For a detection threshold level of  $-62\text{dBm}$  and the Cisco Master antenna gain is  $3\text{dBi}$ . The Required detection threshold is  $-58\text{dBm}$  ( $= -62 + 1 + 3$ ) $\text{dBm}$ . The conducted radar burst level is set to  $-59\text{dBm}$ . The tested level is lower than required level hence it provides margin to the limit.



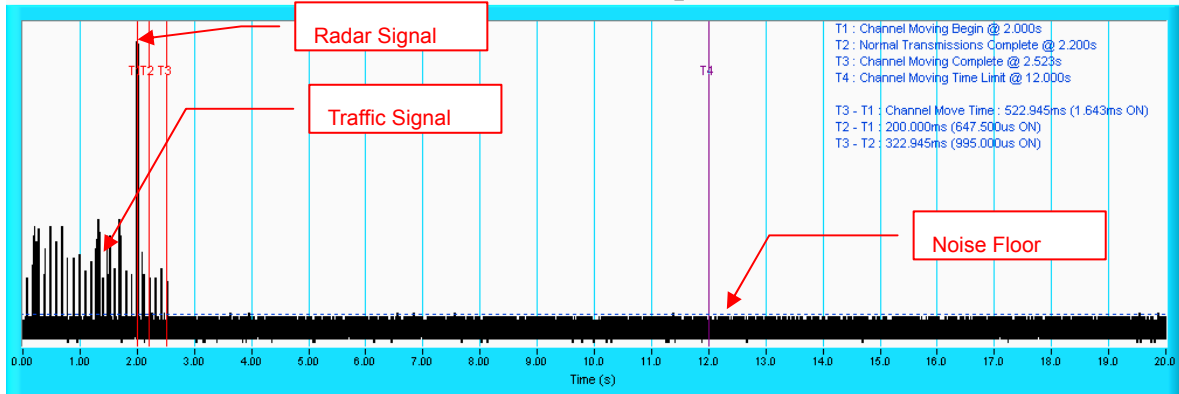
Radar Signal 1

## 6.2.1.2 CHANNEL CLOSING TRANSMISSION AND CHANNEL MOVE TIME

### Radar signal 1

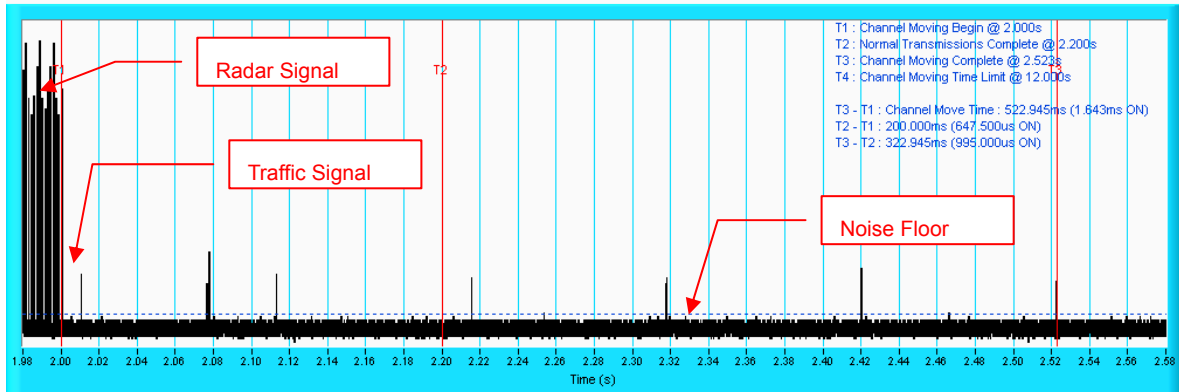
### IEEE 802.11A

#### Channel Closing Transmission Time & Channel Move Time @ CH100 - 5500MHz



**NOTE:** T1 denotes the start of Channel Move Time upon the end of the last Radar burst. T2 denotes the data transmission time of 200ms from T1. T3 denotes the 10 second from T1 to observe the aggregate duration of transmissions.

#### Channel Closing Transmission Time & Channel Move Time @ CH100 - 5500MHz



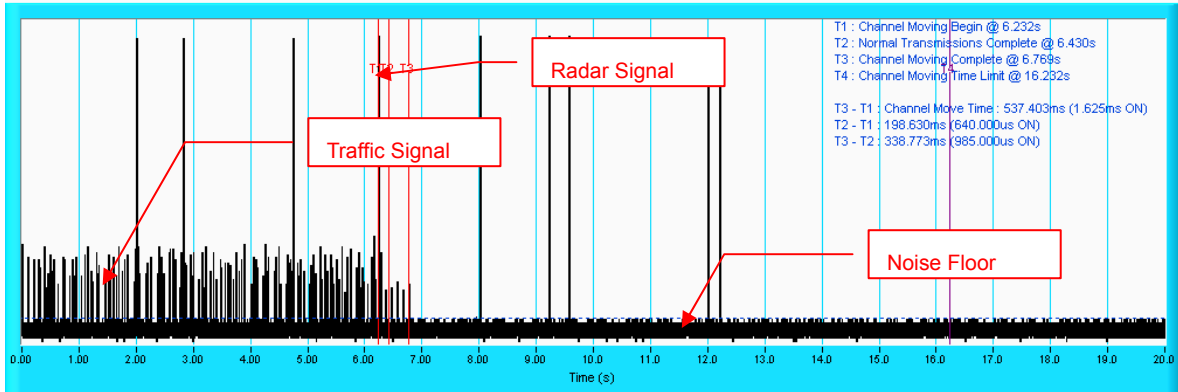
**NOTE:** An expanded plot for the device vacates the channel in the required 200ms.



## Radar signal 5

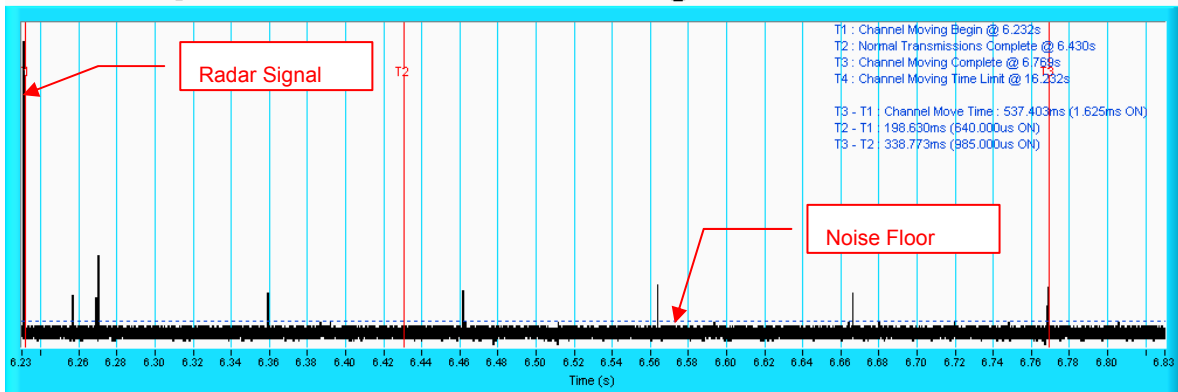
### IEEE 802.11A

#### Channel Closing Transmission Time & Channel Move Time @ CH100 - 5500MHz



**NOTE:** T1 denotes the start of Channel Move Time upon the end of the last Radar burst. T2 denotes the data transmission time of 200ms from T1. T3 denotes the 10 second from T1 to observe the aggregate duration of transmissions.

#### Channel Closing Transmission Time & Channel Move Time @ CH100 - 5500MHz



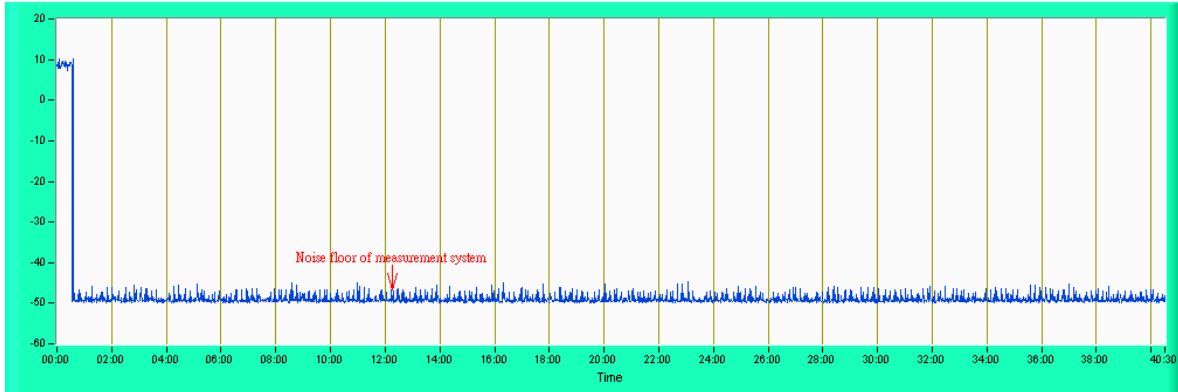
**NOTE:** An expanded plot for the device vacates the channel in the required 200ms.

### Non- Occupancy Period

During the 30 minutes observation time, UUT did not make any transmissions on a channel after a radar signal was detected on that channel by either the Channel Availability Check or the In-Service Monitoring.

#### 802.11a

#### Non - Occupancy Period @ CH100 - 5500MHz

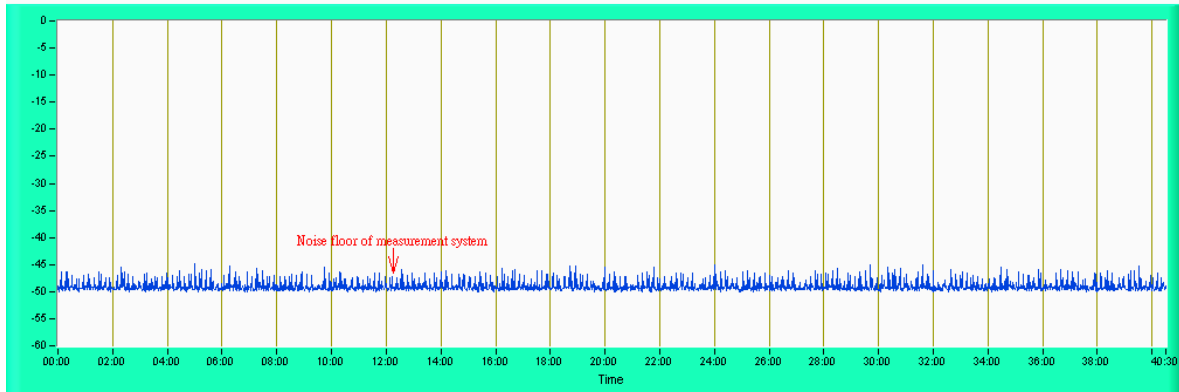


## Non-associated test

Master was off.

During the 30 minutes observation time, The UUT did not make any transmissions in the DFS band after UUT power up.

### Power-On Test @ CH100 - 5500MHz





## 7. TESTING LABORATORIES INFORMATION

We, ADT Corp., were founded in 1988 to provide our best service in EMC, Radio, Telecom and Safety consultation. Our laboratories are accredited and approved by the following approval agencies according to ISO/IEC 17025.

<b>USA</b>	FCC, UL, A2LA
<b>Germany</b>	TUV Rheinland
<b>Japan</b>	VCCI
<b>Norway</b>	NEMKO
<b>Canada</b>	INDUSTRY CANADA, CSA
<b>R.O.C.</b>	TAF, BSMI, NCC
<b>Netherlands</b>	Telefication
<b>Singapore</b>	GOST-ASIA(MOU)
<b>Russia</b>	CERTIS(MOU)

Copies of accreditation certificates of our laboratories obtained from approval agencies can be downloaded from our web site:

[www.adt.com.tw/index.5/phtml](http://www.adt.com.tw/index.5/phtml). If you have any comments, please feel free to contact us at the following:

**Linko EMC/RF Lab:**  
Tel: 886-2-26052180  
Fax: 886-2-26051924

**Hsin Chu EMC/RF Lab:**  
Tel: 886-3-5935343  
Fax: 886-3-5935342

**Hwa Ya EMC/RF/Safety Telecom Lab:**  
Tel: 886-3-3183232  
Fax: 886-3-3185050

**Web Site:** [www.adt.com.tw](http://www.adt.com.tw)

The address and road map of all our labs can be found in our web site also.

## 8. APPENDIX

### 8.1 APPENDIX-A MODIFICATIONS OR ADDING COMPONENTS DURING THE TEST

No any modifications are made to the EUT by the lab during the test.