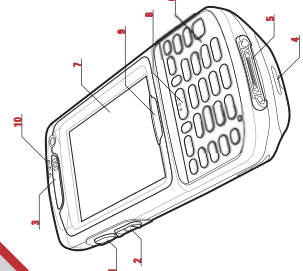
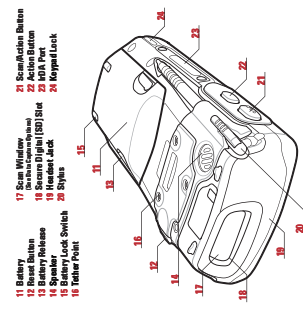


Features

MC70 (CP) Item

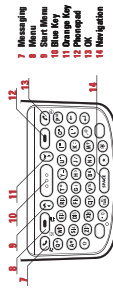
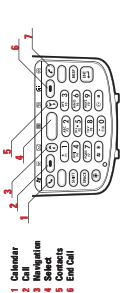


- 1 Scan/Action Button
- 2 Up/Down Buttons
- 3 Microphone
- 4 Headset Cradle
- 5 Connector
- 6 LED Indicators
- 7 Touch Screen
- 8 Power Button
- 9 LED Indicators
- 10 Phone Speaker



- 11 Battery
- 12 Scan/Action Button
- 13 Battery Release
- 14 Speaker
- 15 Release Point
- 16 Scan Window
- 17 Scan/Action Button
- 18 Screen Digital (SD) Slot
- 19 Keypad Lock
- 20 Keypad Lock
- 21 Keypad Lock
- 22 Keypad Lock
- 23 Keypad Lock
- 24 Keypad Lock

Keypads



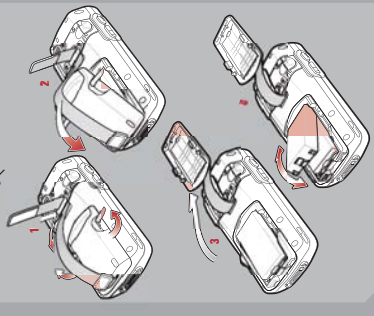
- 1 Calendar
- 2 Navigation
- 3 Select
- 4 Call
- 5 Call Call
- 6 Call Call
- 7 Messaging
- 8 Menu
- 9 Blue Key
- 10 Blue Key
- 11 Orange Key
- 12 Poweroff
- 13 Navigation
- 14 Navigation

Blue Key Search, applications, control center, movement, and select items.
 - Press the **Blue Key** to lock the mode. Press the **Blue Key** any other time to unlock.
 - Press the **Blue Key** any other time to open a help.

Orange Key Press this key to activate the mode followed by another key.
 - Press the **Orange Key** any other time to activate the mode followed by another key.
 - Press the **Orange Key** any other time to activate the mode followed by another key.

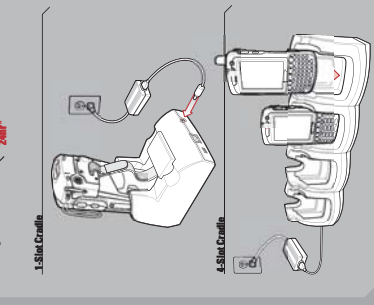
Getting Started

1 Insert the Battery



LED Indicator Location
 Amber = Charging | Green = Fully Charged

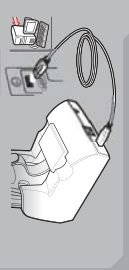
2 Charge the MC70



3 Install ActiveSync®

Download the latest version of ActiveSync from <http://www.microsoft.com> and follow the instructions to install ActiveSync onto the host computer.

4 Communicate with Host



5 Create a Partnership

Follow the on-screen ActiveSync instructions to establish a connection between the MC70 and the host computer.

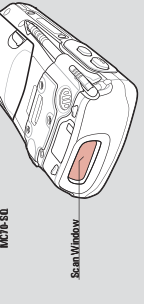
Support Information

- More information on the MC70 -> The Symbol site at <http://www.symbol.com/mc70>
 MC70 Component CD
- Getting up and using the MC70 -> Available at <http://www.symbol.com/mc70>
- Troubleshooting -> Available at <http://www.symbol.com/mc70>
- Accessories -> MC70 Integrator's Guide
 MC70 Integrator's Guide
 Available at <http://www.symbol.com/mc70>
- Connecting and synchronizing with the host computer -> ActiveSync™ help on the host computer. To view help, start ActiveSync™, click Help -> ActiveSync™ help.
- Information on using programs on the MC70 -> Tap Start -> Help with the specific program.
- Service and Warranty -> Learning, Patent and Regulatory Guide

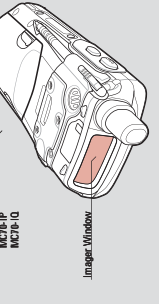


Data Capture Options

Scanner MCTS-SP
MCTS-SD

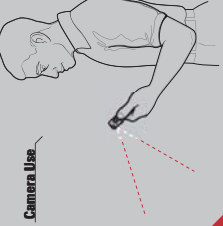
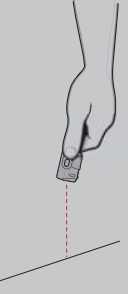


Imager MCTS-IP
MCTS-ID



Optimum Use Positions

Scanning/Imaging

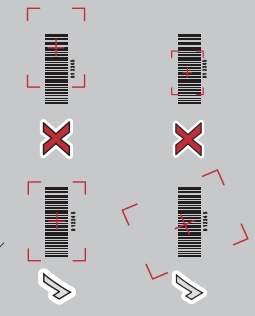


Optimum Scanning and Imaging

Scanning



Imaging



Avoid Extreme Wrist Angles



AVOID EXTREME WRIST ANGLES

AVOID EXTREME WRIST ANGLES