

System Check_Head_2450MHz_101026

DUT: Dipole 2450 MHz

Communication System: CW; Frequency: 2450 MHz; Duty Cycle: 1:1

Medium: HSL_2450_101026 Medium parameters used: $f = 2450$ MHz; $\sigma = 1.82$ mho/m; $\epsilon_r = 38.7$; $\rho = 1000$

kg/m³

Ambient Temperature : 22.5 ; Liquid Temperature : 21.5

DASY5 Configuration:

- Probe: ET3DV6 - SN1788; ConvF(4.35, 4.35, 4.35); Calibrated: 2010/9/21
- Sensor-Surface: 4mm (Mechanical Surface Detection)
- Electronics: DAE4 Sn905; Calibrated: 2010/6/22
- Phantom: SAM - Front; Type: SAM; Serial: TP-1446
- Measurement SW: DASY5, V5.0 Build 125; SEMCAD X Version 13.4 Build 125

Pin=100mW/Area Scan (91x91x1): Measurement grid: dx=10mm, dy=10mm

Maximum value of SAR (interpolated) = 5.81 mW/g

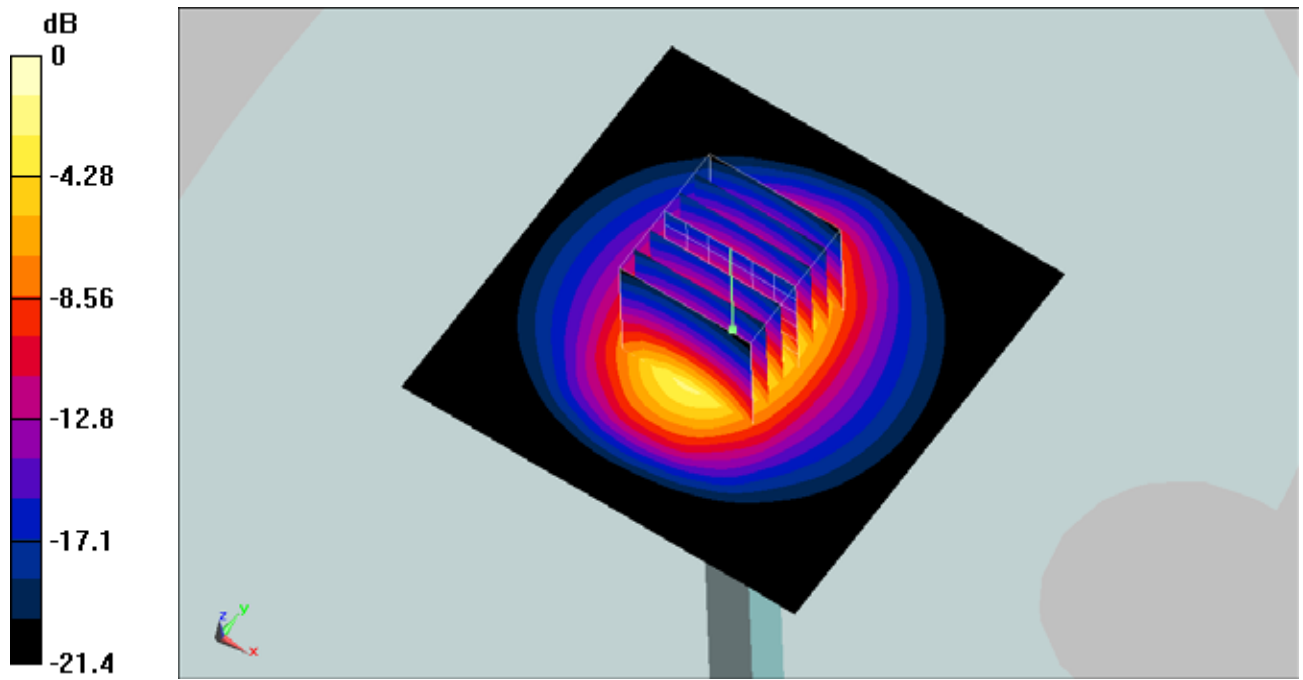
Pin=100mW/Zoom Scan (7x7x7)/Cube 0: Measurement grid: dx=5mm, dy=5mm, dz=5mm

Reference Value = 58.8 V/m; Power Drift = -0.042 dB

Peak SAR (extrapolated) = 10.5 W/kg

SAR(1 g) = 5.04 mW/g; SAR(10 g) = 2.38 mW/g

Maximum value of SAR (measured) = 5.7 mW/g



0 dB = 5.7mW/g

System Check_Body_2450MHz_101026

DUT: Dipole 2450 MHz

Communication System: CW; Frequency: 2450 MHz; Duty Cycle: 1:1

Medium: MSL_2450_101026 Medium parameters used: $f = 2450$ MHz; $\sigma = 1.96$ mho/m; $\epsilon_r = 54.5$; $\rho = 1000$

kg/m³

Ambient Temperature : 22.5 ; Liquid Temperature : 21.6

DASY5 Configuration:

- Probe: ET3DV6 - SN1788; ConvF(4.04, 4.04, 4.04); Calibrated: 2010/9/21
- Sensor-Surface: 4mm (Mechanical Surface Detection)
- Electronics: DAE4 Sn905; Calibrated: 2010/6/22
- Phantom: ELI 4.0; Type: QDOVA001BA; Serial: 1029
- Measurement SW: DASY5, V5.0 Build 125; SEMCAD X Version 13.4 Build 125

Pin=100mW/Area Scan (91x91x1): Measurement grid: dx=10mm, dy=10mm

Maximum value of SAR (interpolated) = 6.47 mW/g

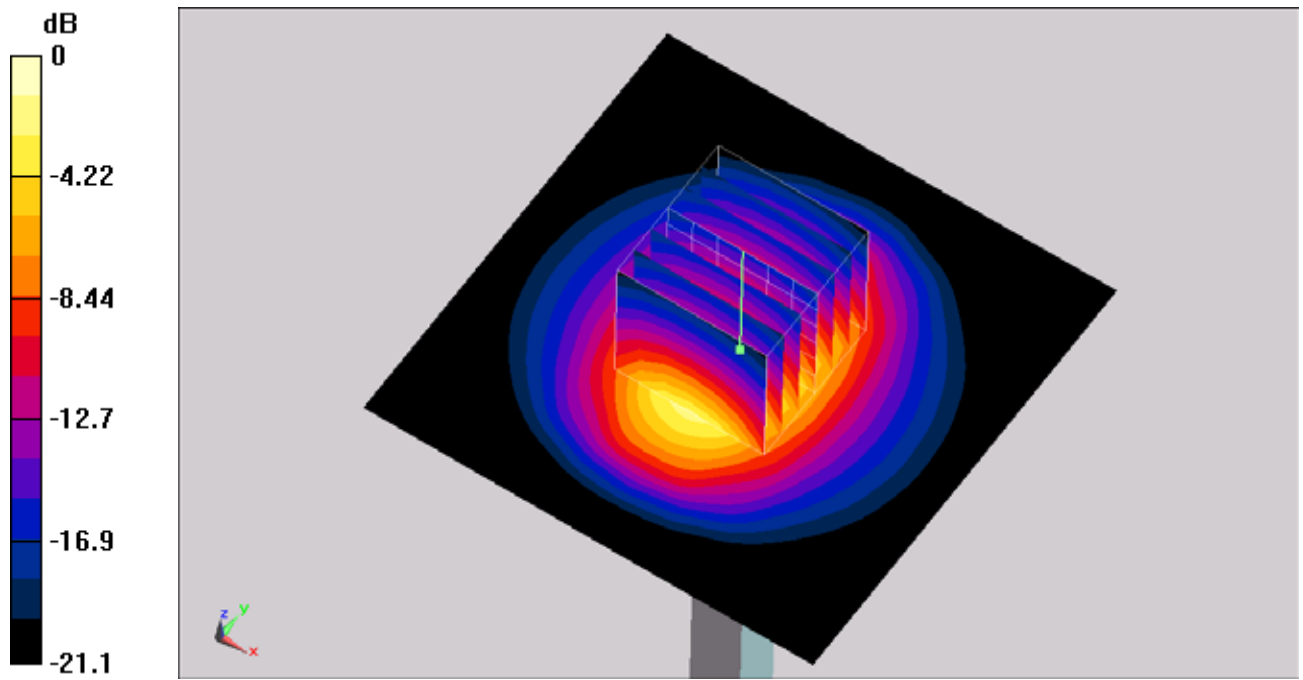
Pin=100mW/Zoom Scan (7x7x7)/Cube 0: Measurement grid: dx=5mm, dy=5mm, dz=5mm

Reference Value = 58.1 V/m; Power Drift = -0.00493 dB

Peak SAR (extrapolated) = 12.9 W/kg

SAR(1 g) = 5.6 mW/g; SAR(10 g) = 2.6 mW/g

Maximum value of SAR (measured) = 6.23 mW/g



0 dB = 6.23mW/g

System Check_Head_5200MHz_101110

DUT: Dipole 5GHz

Communication System: CW; Frequency: 5200 MHz; Duty Cycle: 1:1

Medium: HSL_5000_101110 Medium parameters used: $f = 5200$ MHz; $\sigma = 4.8$ mho/m; $\epsilon_r = 35.5$; $\rho = 1000$ kg/m³

Ambient Temperature : 22.6; Liquid Temperature : 21.4

DASY4 Configuration:

- Probe: EX3DV4 - SN3731; ConvF(4.83, 4.83, 4.83); Calibrated: 2010/9/20
- Sensor-Surface: 2.5mm (Mechanical Surface Detection)
- Electronics: DAE4 Sn778; Calibrated: 2010/10/22
- Phantom: SAM-Right; Type: QD 000 P40 C; Serial: TP-1383
- Measurement SW: DASY4, V4.7 Build 80; Postprocessing SW: SEMCAD, V1.8 Build 186

Pin=100mW/Area Scan (91x91x1): Measurement grid: dx=10mm, dy=10mm

Maximum value of SAR (interpolated) = 16.0 mW/g

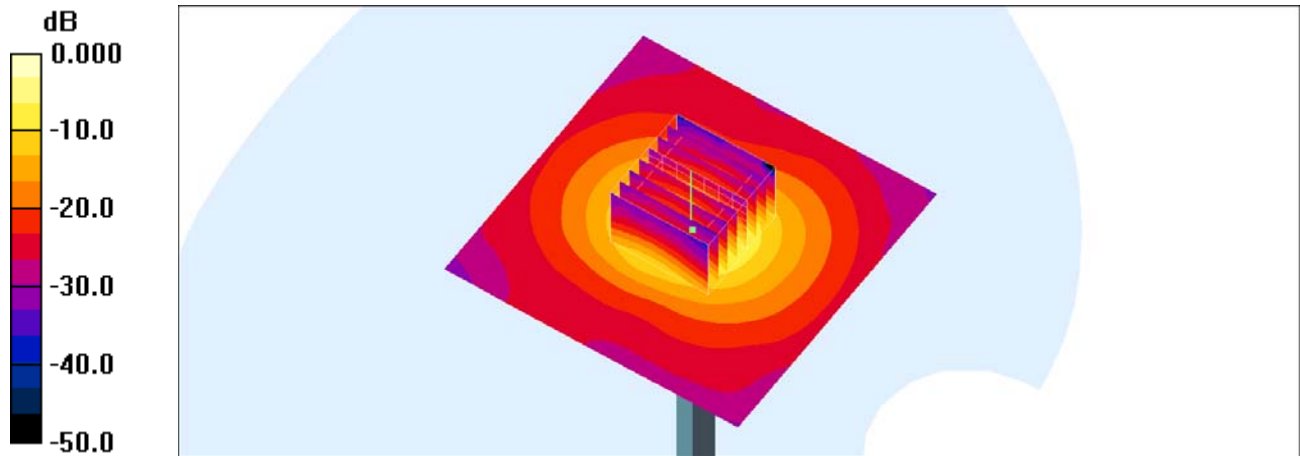
Pin=100mW/Zoom Scan (8x8x8)/Cube 0: Measurement grid: dx=4.3mm, dy=4.3mm, dz=3mm

Reference Value = 59.9 V/m; Power Drift = -0.048 dB

Peak SAR (extrapolated) = 31.4 W/kg

SAR(1 g) = 8.85 mW/g; SAR(10 g) = 2.55 mW/g

Maximum value of SAR (measured) = 14.9 mW/g



System Check_Head_5200MHz_101111

DUT: Dipole 5GHz

Communication System: CW; Frequency: 5200 MHz; Duty Cycle: 1:1

Medium: HSL_5000_101111 Medium parameters used: $f = 5200$ MHz; $\sigma = 4.81$ mho/m; $\epsilon_r = 35.5$; $\rho = 1000$ kg/m³

Ambient Temperature : 22.7 °C; Liquid Temperature : 21.0 °C

DASY4 Configuration:

- Probe: EX3DV4 - SN3731; ConvF(4.83, 4.83, 4.83); Calibrated: 2010/9/20
- Sensor-Surface: 2.5mm (Mechanical Surface Detection)
- Electronics: DAE4 Sn778; Calibrated: 2010/10/22
- Phantom: SAM-Right; Type: QD 000 P40 C; Serial: TP-1383
- Measurement SW: DASY4, V4.7 Build 80; Postprocessing SW: SEMCAD, V1.8 Build 186

Pin=100mW/Area Scan (91x91x1): Measurement grid: dx=10mm, dy=10mm

Maximum value of SAR (interpolated) = 15.2 mW/g

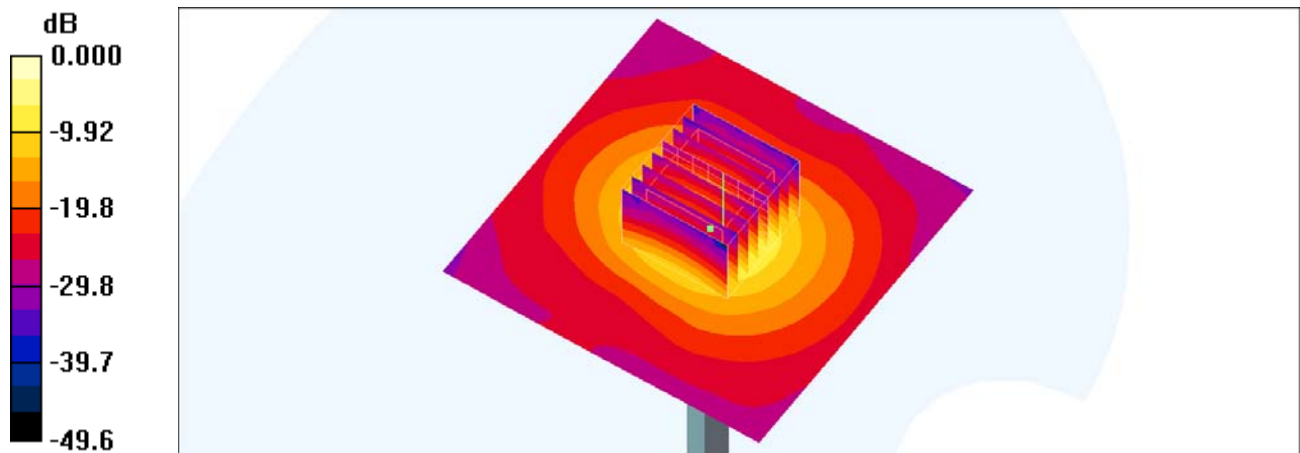
Pin=100mW/Zoom Scan (8x8x8)/Cube 0: Measurement grid: dx=4.3mm, dy=4.3mm, dz=3mm

Reference Value = 58.6 V/m; Power Drift = -0.028 dB

Peak SAR (extrapolated) = 30.6 W/kg

SAR(1 g) = 8.42 mW/g; SAR(10 g) = 2.44 mW/g

Maximum value of SAR (measured) = 14.0 mW/g



0 dB = 14.0mW/g

System Check_Body_5200MHz_101027

DUT: Dipole 5GHz

Communication System: CW; Frequency: 5200 MHz; Duty Cycle: 1:1

Medium: MSL_5G_101027 Medium parameters used: $f = 5200$ MHz; $\sigma = 5.16$ mho/m; $\epsilon_r = 48.5$; $\rho = 1000$ kg/m³

Ambient Temperature : 22.5 °C; Liquid Temperature : 21.2 °C

DASY4 Configuration:

- Probe: EX3DV4 - SN3731; ConvF(3.87, 3.87, 3.87); Calibrated: 2010/9/20
- Sensor-Surface: 2.5mm (Mechanical Surface Detection)
- Electronics: DAE3 Sn577; Calibrated: 2010/8/18
- Phantom: ELI 4.0_Front; Type: QDOVA001BB; Serial: 1026
- Measurement SW: DASY4, V4.7 Build 80; Postprocessing SW: SEMCAD, V1.8 Build 186

Pin=100mW/Area Scan (91x91x1): Measurement grid: dx=10mm, dy=10mm

Maximum value of SAR (interpolated) = 13.0 mW/g

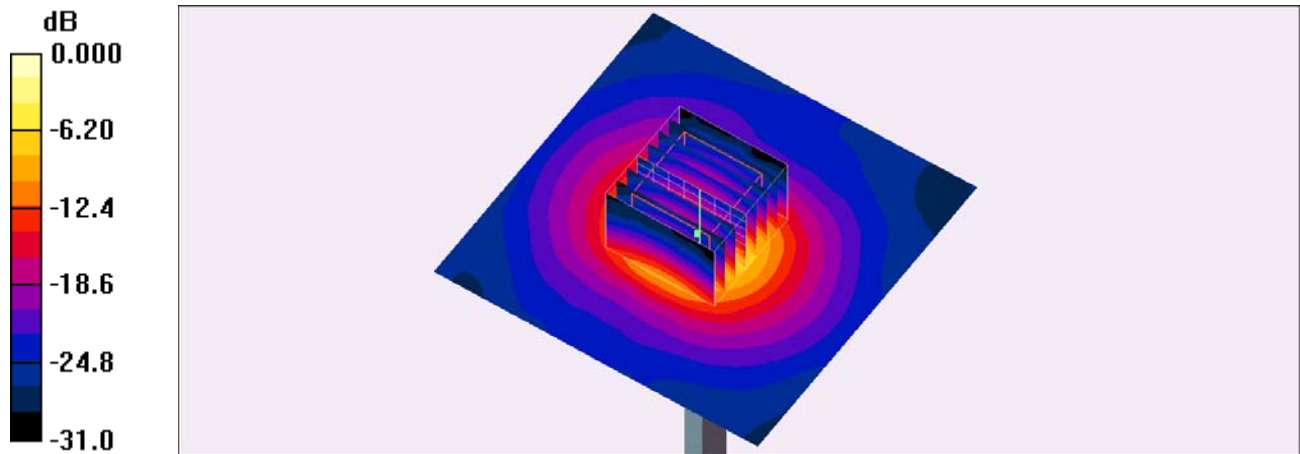
Pin=100mW/Zoom Scan (8x8x8)/Cube 0: Measurement grid: dx=4.3mm, dy=4.3mm, dz=3mm

Reference Value = 54.8 V/m; Power Drift = 0.112 dB

Peak SAR (extrapolated) = 21.4 W/kg

SAR(1 g) = 7.46 mW/g; SAR(10 g) = 2.16 mW/g

Maximum value of SAR (measured) = 12.3 mW/g



0 dB = 12.3mW/g

System Check_Body_5200MHz_101101

DUT: Dipole 5GHz

Communication System: CW; Frequency: 5200 MHz; Duty Cycle: 1:1

Medium: MSL_5G_101101 Medium parameters used: $f = 5200$ MHz; $\sigma = 5.29$ mho/m; $\epsilon_r = 48.8$; $\rho = 1000$ kg/m³

Ambient Temperature : 22.3 °C; Liquid Temperature : 21.4 °C

DASY4 Configuration:

- Probe: EX3DV4 - SN3731; ConvF(3.87, 3.87, 3.87); Calibrated: 2010/9/20
- Sensor-Surface: 2.5mm (Mechanical Surface Detection)
- Electronics: DAE3 Sn577; Calibrated: 2010/8/18
- Phantom: ELI 4.0_Front; Type: QDOVA001BB; Serial: 1026
- Measurement SW: DASY4, V4.7 Build 80; Postprocessing SW: SEMCAD, V1.8 Build 186

Pin=100mW/Area Scan (91x91x1): Measurement grid: dx=10mm, dy=10mm

Maximum value of SAR (interpolated) = 13.3 mW/g

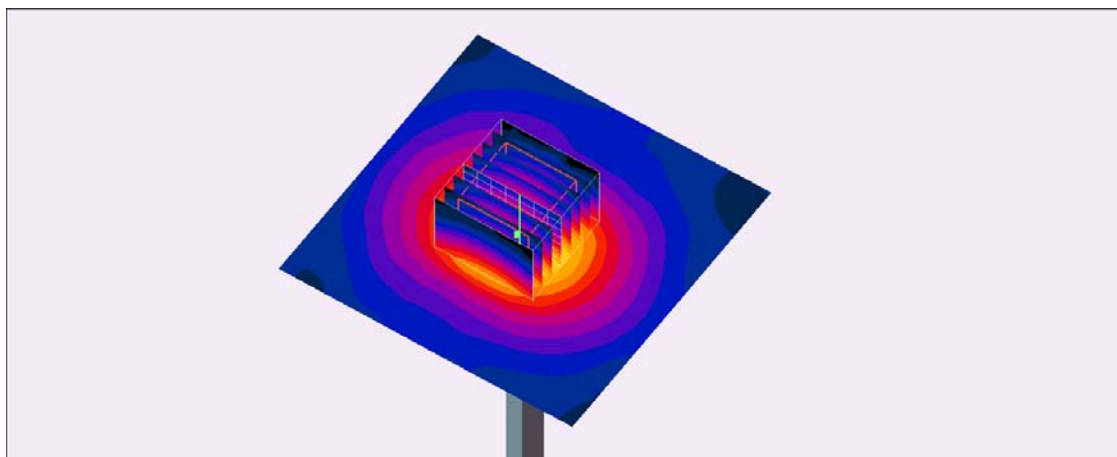
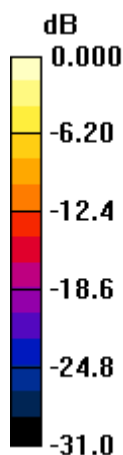
Pin=100mW/Zoom Scan (8x8x8)/Cube 0: Measurement grid: dx=4.3mm, dy=4.3mm, dz=3mm

Reference Value = 54.8 V/m; Power Drift = 0.112 dB

Peak SAR (extrapolated) = 21.9 W/kg

SAR(1 g) = 7.64 mW/g; SAR(10 g) = 2.21 mW/g

Maximum value of SAR (measured) = 12.6 mW/g



0 dB = 12.6mW/g

System Check_Head_5500MHz_101111

DUT: Dipole 5GHz

Communication System: CW; Frequency: 5500 MHz; Duty Cycle: 1:1

Medium: HSL_5000_101111 Medium parameters used: $f = 5500$ MHz; $\sigma = 5.12$ mho/m; $\epsilon_r = 35$; $\rho = 1000$ kg/m³

Ambient Temperature : 22.7 °C ; Liquid Temperature : 21.0 °C

DASY4 Configuration:

- Probe: EX3DV4 - SN3731; ConvF(4.46, 4.46, 4.46); Calibrated: 2010/9/20
- Sensor-Surface: 2.5mm (Mechanical Surface Detection)
- Electronics: DAE4 Sn778; Calibrated: 2010/10/22
- Phantom: SAM-Right; Type: QD 000 P40 C; Serial: TP-1383
- Measurement SW: DASY4, V4.7 Build 80; Postprocessing SW: SEMCAD, V1.8 Build 186

Pin=100mW/Area Scan (91x91x1): Measurement grid: dx=10mm, dy=10mm

Maximum value of SAR (interpolated) = 14.8 mW/g

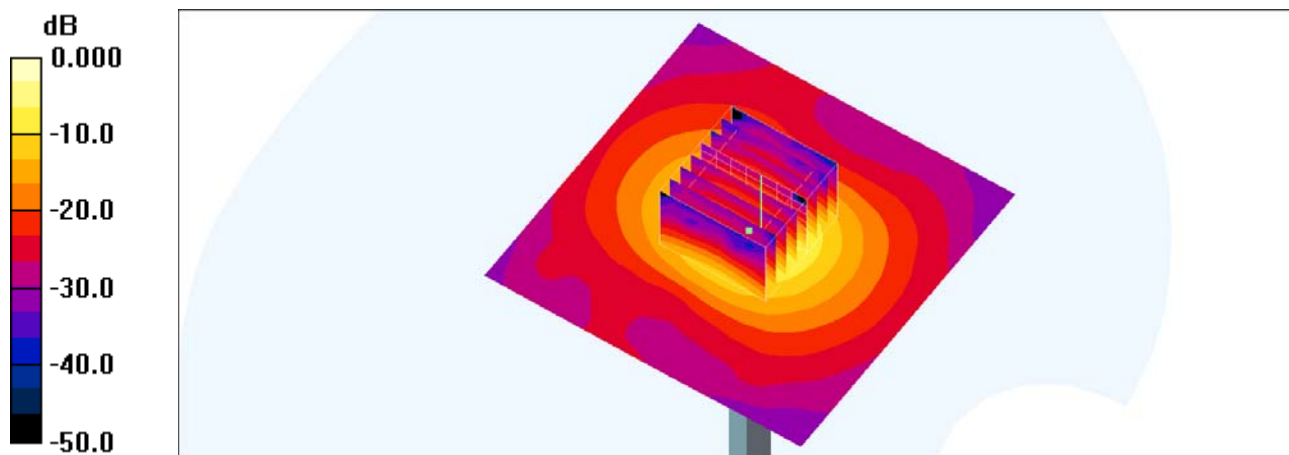
Pin=100mW/Zoom Scan (8x8x8)/Cube 0: Measurement grid: dx=4.3mm, dy=4.3mm, dz=3mm

Reference Value = 56.3 V/m; Power Drift = 0.065 dB

Peak SAR (extrapolated) = 30.9 W/kg

SAR(1 g) = 8.39 mW/g; SAR(10 g) = 2.41 mW/g

Maximum value of SAR (measured) = 14.1 mW/g



0 dB = 14.1mW/g

System Check_Body_5500MHz_101112

DUT: Dipole 5GHz

Communication System: CW; Frequency: 5500 MHz; Duty Cycle: 1:1

Medium: MSL_5G_101112 Medium parameters used: $f = 5500$ MHz; $\sigma = 5.52$ mho/m; $\epsilon_r = 47$; $\rho = 1000$ kg/m³

Ambient Temperature : 22.4 ; Liquid Temperature : 21.3

DASY5 Configuration:

- Probe: EX3DV4 - SN3578; ConvF(3.32, 3.32, 3.32); Calibrated: 2010/6/22
- Sensor-Surface: 2.5mm (Mechanical Surface Detection)
- Electronics: DAE3 Sn577; Calibrated: 2010/8/18
- Phantom: SAM - Front; Type: SAM; Serial: TP-1446
- Measurement SW: DASY5, V5.0 Build 125; SEMCAD X Version 13.4 Build 125

Pin=100mW/Area Scan (91x91x1): Measurement grid: dx=10mm, dy=10mm

Maximum value of SAR (interpolated) = 16.9 mW/g

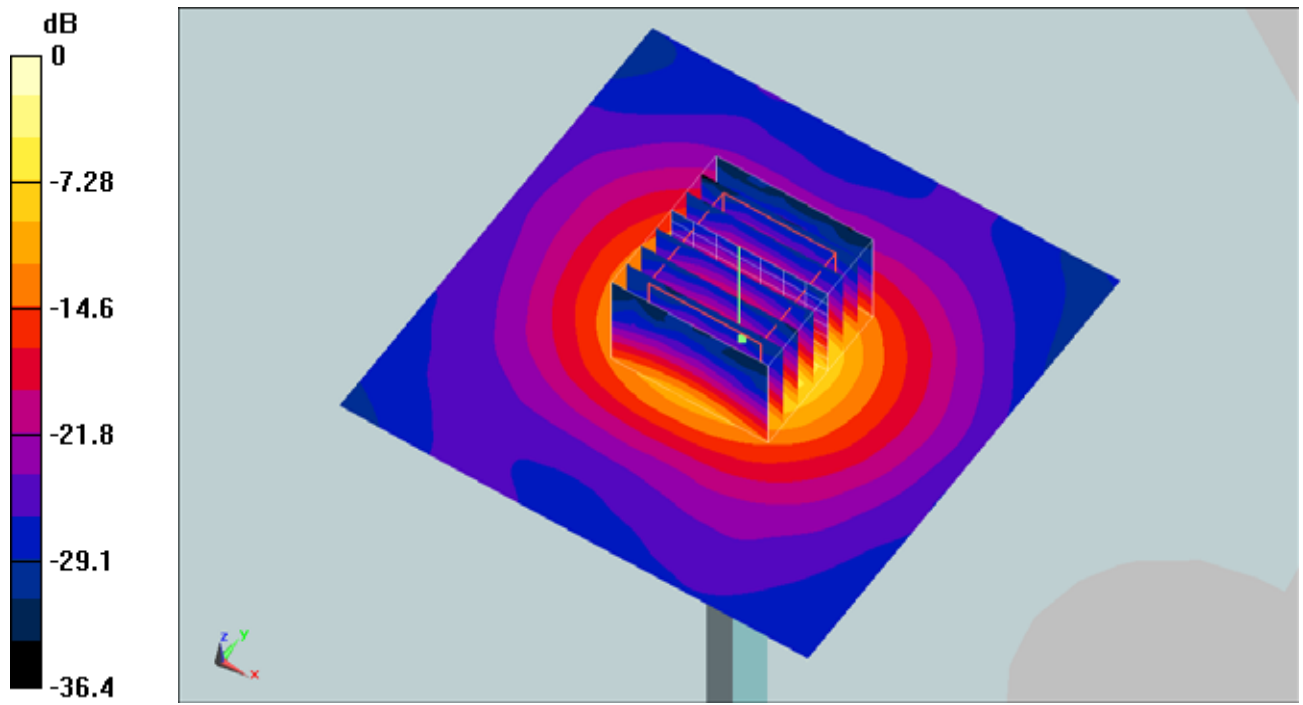
Pin=100mW/Zoom Scan (8x8x8)/Cube 0: Measurement grid: dx=4.3mm, dy=4.3mm, dz=3mm

Reference Value = 59.8 V/m; Power Drift = -0.020 dB

Peak SAR (extrapolated) = 31.3 W/kg

SAR(1 g) = 9.2 mW/g; SAR(10 g) = 2.62 mW/g

Maximum value of SAR (measured) = 15.6 mW/g



System Check_Head_5800MHz_101112

DUT: Dipole 5GHz

Communication System: CW; Frequency: 5800 MHz; Duty Cycle: 1:1

Medium: HSL_5G_101112 Medium parameters used: $f = 5800$ MHz; $\sigma = 5.49$ mho/m; $\epsilon_r = 34.4$; $\rho = 1000$ kg/m³

Ambient Temperature : 22.5 °C ; Liquid Temperature : 21.3 °C

DASY4 Configuration:

- Probe: EX3DV4 - SN3731; ConvF(4.22, 4.22, 4.22); Calibrated: 2010/9/20
- Sensor-Surface: 3mm (Mechanical Surface Detection)
- Electronics: DAE4 Sn778; Calibrated: 2010/10/22
- Phantom: SAM-Right; Type: QD 000 P40 C; Serial: TP-1383
- Measurement SW: DASY4, V4.7 Build 80; Postprocessing SW: SEMCAD, V1.8 Build 186

Pin=100mW/Area Scan (91x91x1): Measurement grid: dx=10mm, dy=10mm

Maximum value of SAR (interpolated) = 12.0 mW/g

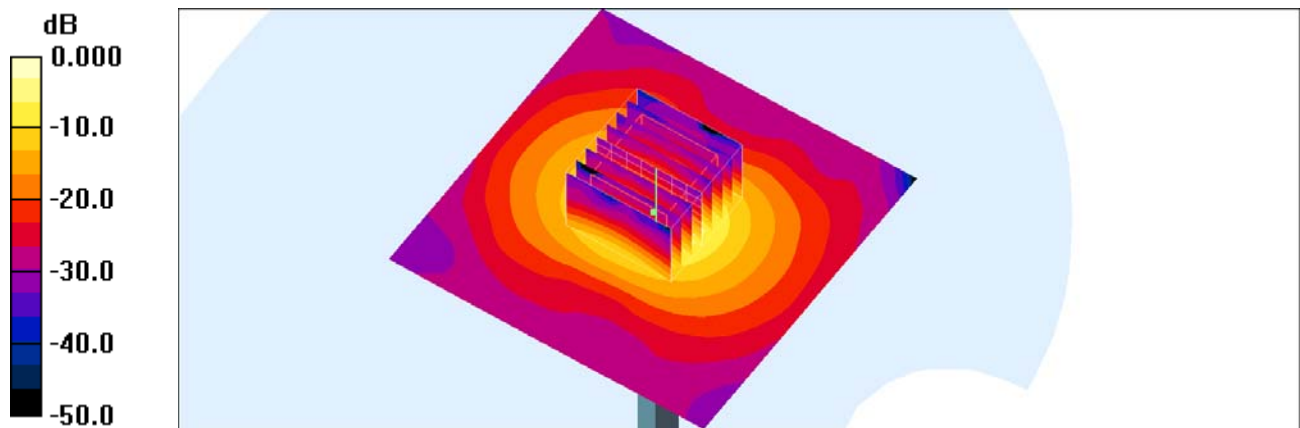
Pin=100mW/Zoom Scan (8x8x8)/Cube 0: Measurement grid: dx=4.3mm, dy=4.3mm, dz=3mm

Reference Value = 47.9 V/m; Power Drift = 0.042 dB

Peak SAR (extrapolated) = 29.7 W/kg

SAR(1 g) = 7.78 mW/g; SAR(10 g) = 2.23 mW/g

Maximum value of SAR (measured) = 11.3 mW/g



0 dB = 11.3mW/g

System Check_Body_5800MHz_101025

DUT: Dipole 5GHz

Communication System: CW; Frequency: 5800 MHz; Duty Cycle: 1:1

Medium: MSL_5G_101025 Medium parameters used: $f = 5800$ MHz; $\sigma = 5.99$ mho/m; $\epsilon_r = 46.5$; $\rho = 1000$

kg/m³

Ambient Temperature : 22.5 ; Liquid Temperature : 21.4

DASY5 Configuration:

- Probe: EX3DV4 - SN3731; ConvF(3.55, 3.55, 3.55); Calibrated: 2010/9/20
- Sensor-Surface: 2.5mm (Mechanical Surface Detection)
- Electronics: DAE3 Sn577; Calibrated: 2010/8/18
- Phantom: ELI 4.0; Type: QDOVA001BA; Serial: 1029
- Measurement SW: DASY5, V5.0 Build 125; SEMCAD X Version 13.4 Build 125

Pin=100mW/Area Scan (91x91x1): Measurement grid: dx=10mm, dy=10mm

Maximum value of SAR (interpolated) = 12.6 mW/g

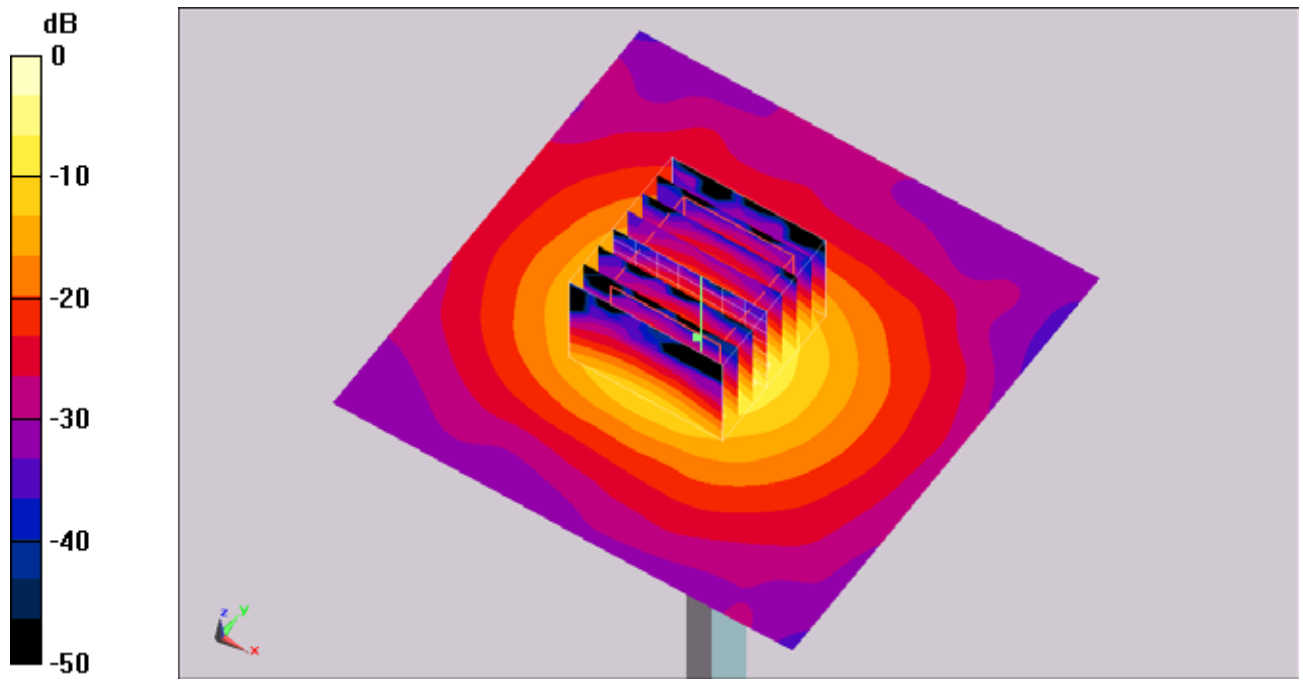
Pin=100mW/Zoom Scan (8x8x8)/Cube 0: Measurement grid: dx=4.3mm, dy=4.3mm, dz=3mm

Reference Value = 50.7 V/m; Power Drift = 0.112 dB

Peak SAR (extrapolated) = 25.3 W/kg

SAR(1 g) = 7.23 mW/g; SAR(10 g) = 2.01 mW/g

Maximum value of SAR (measured) = 12.8 mW/g



0 dB = 12.8mW/g

System Check_Body_5800MHz_101027

DUT: Dipole 5GHz

Communication System: CW; Frequency: 5800 MHz; Duty Cycle: 1:1

Medium: MSL_5G_101027 Medium parameters used: $f = 5800 \text{ MHz}$; $\sigma = 5.98 \text{ mho/m}$; $\epsilon_r = 47.2$; $\rho = 1000 \text{ kg/m}^3$

Ambient Temperature : 22.7 °C ; Liquid Temperature : 21.2 °C

DASY4 Configuration:

- Probe: EX3DV4 - SN3731; ConvF(3.55, 3.55, 3.55); Calibrated: 2010/9/20
- Sensor-Surface: 2.5mm (Mechanical Surface Detection)
- Electronics: DAE3 Sn577; Calibrated: 2010/8/18
- Phantom: ELI 4.0_Front; Type: QDOVA001BB; Serial: 1026
- Measurement SW: DASY4, V4.7 Build 80; Postprocessing SW: SEMCAD, V1.8 Build 186

Pin=100mW/Area Scan (91x91x1): Measurement grid: dx=10mm, dy=10mm

Maximum value of SAR (interpolated) = 14.0 mW/g

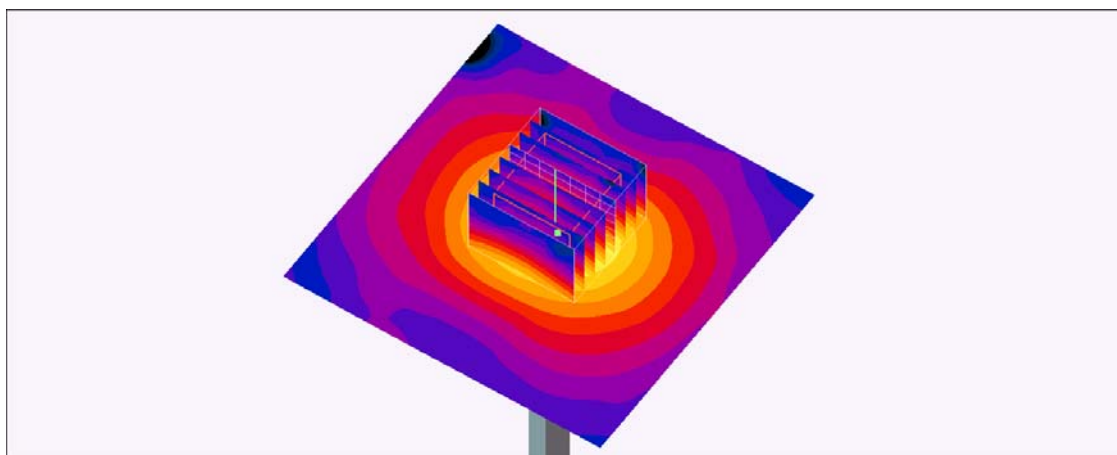
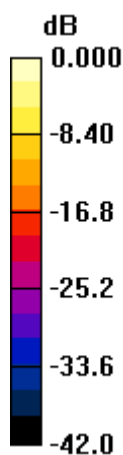
Pin=100mW/Zoom Scan (8x8x8)/Cube 0: Measurement grid: dx=4.3mm, dy=4.3mm, dz=3mm

Reference Value = 52.4 V/m; Power Drift = -0.035 dB

Peak SAR (extrapolated) = 30.2 W/kg

SAR(1 g) = 7.84 mW/g; SAR(10 g) = 2.22 mW/g

Maximum value of SAR (measured) = 13.3 mW/g



0 dB = 13.3mW/g