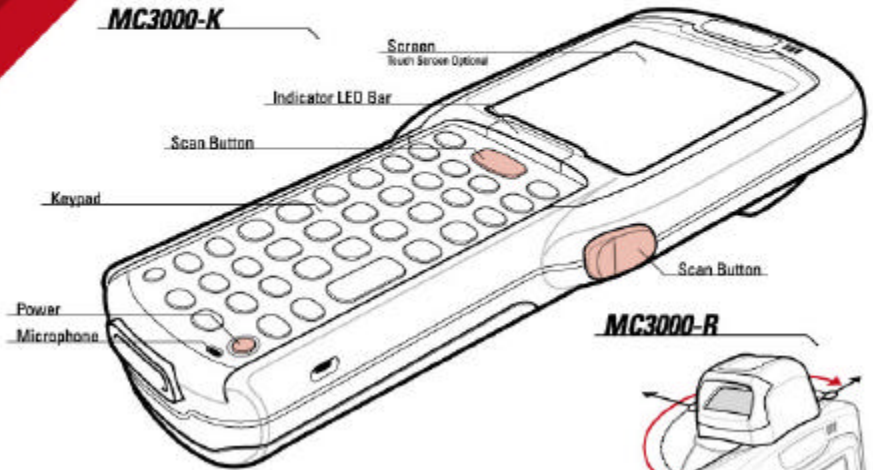




# MC3000 Quick Start Guide

<http://www.symbol.com/mc3000beta>  
See User Guide for more information

POST IN WORK AREA

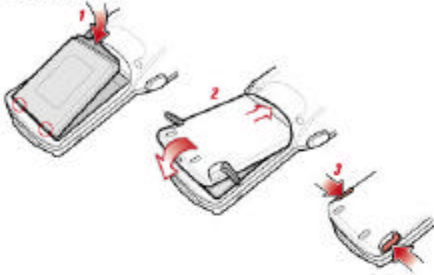


### MC3000-R

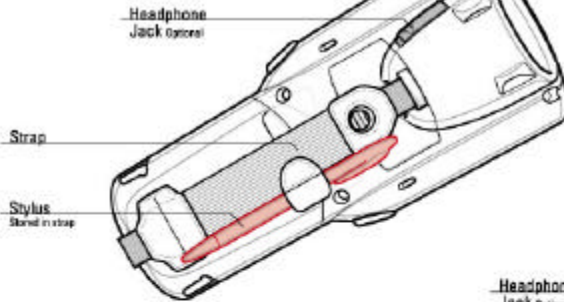


### Battery Installation

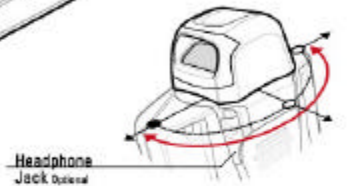
Strap removed for clarity



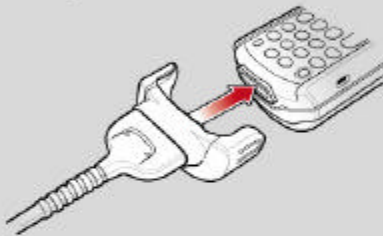
### MC3000-K Back View



### MC3000-R Back View



### Accessory Installation



2x Battery



2x Battery Door

### Charging Instructions

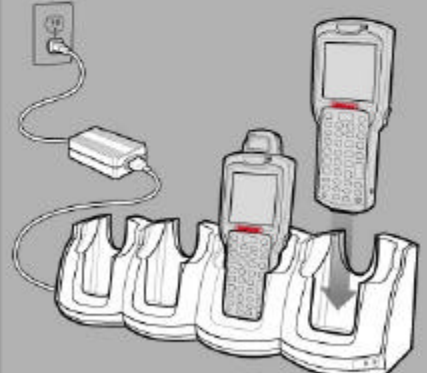
● = LED Indicator Location  
Slow Flash = Normal Charge | Solid Amber = Full Charge | Fast Flash = Charging Error



Four Slot Spare Battery Charger



Single Slot Serial/USB Cradle

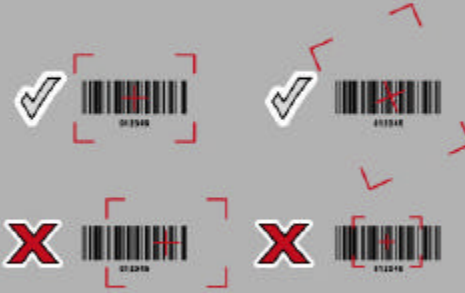
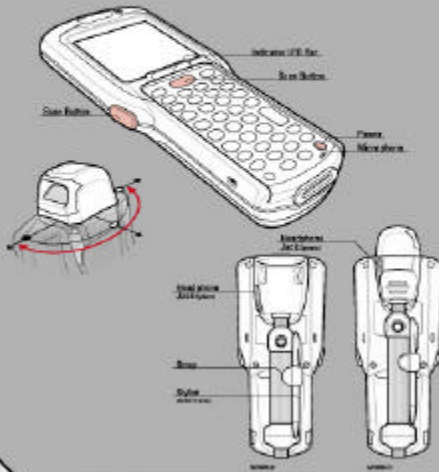


Four Slot Cradles

Charge Only Cradle and Ethernet Cradle



### Optimum Imaging and Scanning Positions



MC3000-K Scanning



MC3000-R Scanning



### Optimum Upright Body Postures



MC3000-K



MC3000-R



MC3000-R

### Avoid Extreme Wrist Angles



### Optimum Body Posture for Low Scanning

ALTERNATE LEFT AND RIGHT KNEES



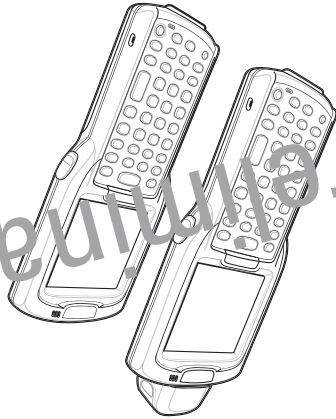
### Optimum Body Posture for High Scanning

USE A LADDER



POST IN WORK AREA





Preliminary

For Embedded Windows® CE .NET  
 Licensing, Patent and Regulatory Information

# MC3000 Series

© 2004 SYMBOL TECHNOLOGIES, INC. All rights reserved.

Symbol reserves the right to make changes to any product to improve reliability, function, or design. Symbol does not assume any product liability arising out of, or in connection with, the application or use of any product, circuit, or application described herein. No license is granted, either expressly or by implication, estoppel, or otherwise under any patent right or patent, covering or relating to any combination, system, apparatus, machine, material, method, or process in which Symbol products might be used. An implied license exists only for equipment, circuits, and subsystems contained in Symbol products.

Symbol and the Symbol logo are registered trademarks of Symbol Technologies, Inc. Other product names mentioned in this manual may be trademarks or registered trademarks of their respective companies and are hereby acknowledged.

Symbol Technologies, Inc.  
 One Symbol Plaza  
 Holtsville, N.Y. 11742-1300  
<http://www.symbol.com>

## Patents

This product may be covered by one or more U.S. and foreign patents. For patent information go to: <http://www.symbol.com/patents>

## Ergonomic Recommendations

**Caution:** In order to avoid or minimize the potential risk of ergonomic injury follow the recommendations below. Consult with your local Health & Safety Manager to ensure that you are adhering to your company's safety programs to prevent employee injury.

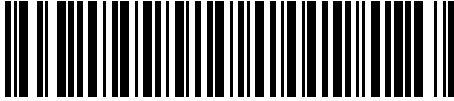
- Reduce or eliminate repetitive motion
- Maintain a natural position
- Reduce or eliminate excessive force
- Keep objects that are used frequently within easy reach
- Perform tasks at correct heights
- Reduce or eliminate vibration
- Reduce or eliminate direct pressure
- Provide adjustable workstations
- Provide adequate clearance
- Provide a suitable working environment
- Improve work procedures.

Before you use the unit, it must be configured to operate in your facility's network and run your applications. If you have a problem running your unit or using your equipment, contact your facility's Technical or Systems Support. If there is a problem with the equipment, they will contact the Symbol Support Center.

## Service Information

United States	1-800-653-5350	Canada	905-629-7226
United Kingdom	0800 328 2424	Asia/Pacific	+65-6759-9600
Australia	1-800-672-906	Austria/Gsterreich	1-505-5794-0
Denmark/Danmark	7020-1718	Finland/Suomi	9 5407 580
France	01-40-96-52-21	Germany/Deutschland	6074-49020
Italy/Italia	2-48441	Mexico/México	5-520-1835
Netherlands/Nederland	315-271700	Norway/Norge	+47 2232 4375
South Africa	11-8095311	Spain/España	91 324 40 00
Sweden/Sverige	84452900	Inside Spain	+34 91 324 40 00
Outside Spain		Outside Spain	
Latin America	1-800-347-0178 Inside US		
Sales Support	+1-954-255-2610 Outside US		
Europe/Mid-East	Contact local distributor or call		
Distributor Operations	+44 118 945 7360		

For the latest version of this guide go to: <http://www.symbol.com/manuals>.



72-68903-01  
 Revision 1 — June 2004

(A) Warranty Symbol Technologies hereafter "Seller" hardware Products are warranted against defects in workmanship and materials for a period of twelve (12) months from the date of shipment, unless otherwise provided by Seller in writing, provided the Product remains unmodified and is operated under normal and proper conditions. Warranty provisions and durations, on software, integrated, installed systems, Product modified or assigned to meet specific customer specifications ("Custom Products"), manufactured products, and reconditioned or upgraded products, shall be as provided in the applicable Product specification in effect at the time of purchase or in the accompanying software license.

(B) Spare Parts Spare parts (i.e. parts, components, or subassemblies sold by Seller for use in the service and maintenance of Products) are warranted against defects in workmanship and materials for a period of thirty (30) days from the date of shipment; spare parts may be repaired or replaced by Seller.

(C) Repair of Symbol-branded hardware For repairs on Symbol-branded hardware Products under this Agreement, including repairs covered by warranty, the repair services provided are warranted against defects in workmanship and materials on the repaired component of the Product for a period of thirty (30) days from the shipment date of the repaired Product, or until the end of the original warranty period, whichever is longer.

(D) Product Service Products may be serviced or manufactured with parts, components, or subassemblies that originate from returned products and that have been tested as meeting applicable specifications for equivalent new material and Products; the sole obligation of Seller for defective hardware Products is limited to repair or replacement (at Seller's option) on a "return to service depot" basis with prior Seller authorization. Customer is responsible for shipment to the Seller and assumes all costs and risks associated with the transportation, return shipment to the customer will be at Seller's expense. Customer shall be responsible for return shipment charges for product returned where Seller determines there is no defect. "No Defect Found" or for product returned that Seller determines is not eligible for warranty or any other change will be made to Buyer for replacement parts for warranty repair; Seller is not responsible for any damage to or loss of any software programs, data or removable data storage media, or the restoration or reinstallation of any software programs or data other than the software, if any, installed by Seller during manufacturing of the Product.

(E) Original Warranty Period Except for the warranty applying solely to the repaired component arising from a repair service as provided in Section E above, the aforementioned provisions do not extend the original warranty period of any Product that had either been repaired or replaced by Seller.

(F) Warranty Provisions The above warranty provisions shall not apply to any Product if which has been repaired, tampered with, altered or modified, except by Seller's authorized service personnel, in which the defect or damage to the Product result from normal wear and tear, misuse, negligence, improper storage, water or other liquids, battery leakage, use of parts or accessories not approved or supplied by Seller, or failure to perform operator handling and scheduled maintenance instructions supplied by Seller, (all which has been subjected to unusual physical or electrical stress, abuse, or accident, or forces or exposure beyond normal use within the specified operational parameters set forth in the applicable Product specification, nor shall the above warranty provisions apply to any expandable or consumable parts, such as batteries supplied with the Product.

(G) Exclusions and Limitations Seller DISCLAIMS ALL WARRANTIES ON PRODUCTS FURNISHED HEREUNDER. THE EXCLUSIONS AND LIMITATIONS OF MERCHANTABILITY AND FITNESS FOR A PARTICULAR PURPOSE FOR THE WARRANTY OF TITLE AND THE EXCLUSIONS AND LIMITATIONS OF MERCHANTABILITY AND FITNESS FOR A PARTICULAR USE. ANY IMPLIED WARRANTIES THAT MAY BE IMPOSED BY LAW ARE LIMITED IN QUANTITY TO THE LIMITED WARRANTY PERIOD SOME STATES OR COUNTRIES DO NOT ALLOW AN IMPLIED WARRANTY FOR CONSUMER PRODUCTS, IN SUCH STATES OR COUNTRIES, FOR SUCH LIMITATION OF INCIDENTAL OR CONSEQUENTIAL DAMAGES OR LIMITATIONS OF THIS LIMITED WARRANTY MAY NOT APPLY.

The stated express warranties are in lieu of all obligations or liabilities for damages, including but not limited to, special, incidental or consequential damages arising out of or in connection with the use or performance of the Product or service. Seller's liability for damages to buyers or others resulting from the use of any Product or service furnished hereunder shall in no way exceed the purchase price of said Product or the fair market value of said service, except in instances of injury to persons or property.

## FCC Exposure Guidelines

### Safety Information

The device complies with Internationally recognized standards covering Specific Absorption Rate (SAR) related to human exposure to electromagnetic fields from radio devices.

### Reducing RF Influence - Use Properly

It is advisable to use the device only in the normal operating position and it is recommended that no part of the human body be allowed to come too close to the antenna during operation of the equipment.

### Handheld Devices

This device was tested for typical body-worn operation. A minimum separation distance of 2 cm must be maintained between this device and the body. The use of third-party belt-clips, holsters, and similar accessories should not contain metallic components in its assembly. The use of these accessories that do not satisfy these requirements may not comply with FCC RF exposure compliance requirements, and should be avoided.

### Laser Devices

Symbol devices using lasers comply with US 21CFR 1040.10, and IEC825-1:1993, EN60825-1:1994+A11:1996. The laser classification is marked on one of the labels on the device.

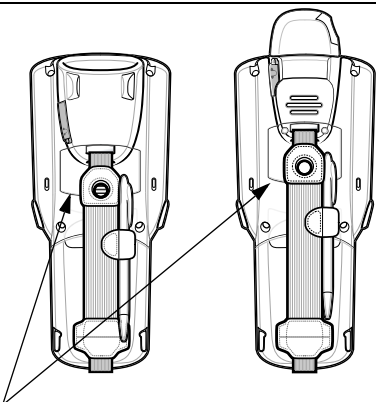
Class 1 Laser devices are not considered to be hazardous when used for their intended purpose. The following statement is required to comply with US and international regulations:

**Caution:** Use of controls, adjustments or performance of procedures other than those specified herein may result in hazardous laser light exposure. Class 2 laser scanners use a low power, visible light diode. As with any very bright light source, such as the sun, the user should avoid staring directly into the light beam. Momentary exposure to a Class 2 laser is not known to be harmful.

Benutzen Sie nur eine Symbol Technologies genehmigt in den Ausgabe: 11-16Vdc und minimum 2A. Die Stromversorgung ist bescheinigt nach EN60950 mit SELV Ausgaben.

## Scanner Labeling

**CAUTION- LASER LIGHT WHEN OPEN. DO NOT STARE INTO BEAM.**  
**ATTENTION- LUMIÈRE LASER EN CAS D'OUVERTURE. NE PAS REGARDER DANS LE FAISCEAU.**  
**VORSICHT- LASERLICHT, WENN ABDECKUNG GEÖFFNET. NICHT IN DEN STRAHL BLICKEN**  
**COMPLIES WITH 21CFR1040.10, IEC 825-1:1993/EN60825-1:1994 + A11:1996**



**LASERLICHT - NICHT IN DEN STRAHL BLICKEN.**  
**LASER KLASSE 2**  
**LUMIÈRE LASER - NE PAS REGARDER DANS LE FAISCEAU APPAREIL À LASER DE CLASSE 2**  
**CAUTION- LASER LIGHT. DO NOT STARE INTO BEAM.**  
**CLASS 2 LASER PRODUCT 630-680 nm, 1 mW**



## Laser Labels

In accordance with Clause 5, IEC 825 and EN60825, the following information is provided to the user:



### ENGLISH

CLASS 1 CLASS 1 LASER PRODUCT  
 CLASS 2 LASER LIGHT  
 DO NOT STARE INTO BEAM  
 CLASS 2 LASER PRODUCT

### DANISH / DANSK

KLASSE 1 KLASSE 1 LASERPRODUKT  
 KLASSE 2 LASERLYS  
 SE IKKE IND I STRÅLEN  
 KLASSE 2 LASERPRODUKT

### DUTCH / NEDERLANDS

KLASSE 1 KLASSE 1 LASERPRODUKT  
 KLASSE 2 LASERLICHT  
 NIET IN STRAAL STAREN  
 KLASSE 2 LASERPRODUKT

### FINNISH / SUOMI

LUOKKA 1 LUOKKA 1 LASERTUOTE  
 LUOKKA 2 LASERVALO  
 ÄLÄ TUOJETA SÄDETTÄ  
 LUOKKA 2 LASERTUOTE

### FRENCH / FRANÇAIS

CLASSE 1 PRODUIT LASER DE CLASSE 1  
 CLASSE 2 LUMIÈRE LASER  
 NE PAS REGARDER LE RAYON FIXEMENT  
 PRODUIT LASER DE CLASSE 2

### GERMAN / DEUTSCH

KLASSE 1 LASERPRODUKT DER KLASSE 1  
 KLASSE 2 LASERSTRAHLEN  
 NICHT DIREKT IN DEN LASERSTRAHL SCHAUEN  
 LASERPRODUKT DER KLASSE 2

### HEBREW

מוצר לייזר רמה 1 רמה 1  
 אור לייזר רמה 2  
 אין להביט אל תוך האור  
 מוצר לייזר רמה 2

### ITALIAN / ITALIANO

CLASSE 1 PRODOTTO AL LASER DI CLASSE 1  
 CLASSE 2 LUCE LASER  
 NON FISSARE IL RAGGIO/PRODOTTO  
 AL LASER DI CLASSE 2

### NORWEGIAN / NORSK

KLASSE 1 LASERPRODUKT, KLASSE 1  
 KLASSE 2 LASERLYS IKKE STRIF INN I LYSTRÅLEN  
 LASERPRODUKT, KLASSE 2

### PORTUGUESE / PORTUGUÊS

CLASSE 1 PRODUTO LASER DA CLASSE 1  
 CLASSE 2 LUZ DE LASER NÃO PRAFO RAIOS LUMINOSOS  
 PRODUTO LASER DA CLASSE 2

### SPANISH / ESPAÑOL

CLASE 1 PRODUCTO LASER DE LA CLASE 1  
 CLASE 2 LUZ LASER  
 NO MIRE FUJAMENTE EL RAYO  
 PRODUCTO LASER DE LA CLASE 2

### SWEDISH / SVENSKA

KLASS 1 LASERPRODUKT KLASSE 1  
 KLASS 2 LASERLJUS STRÅLEN INTE MOT STRÅLEN  
 LASERPRODUKT KLASSE 2

## Radio Frequency Interference Requirements



Note: This equipment has been tested and found to comply with the limits for a Class B digital device, pursuant to Part 15 of the FCC rules. These limits are designed to provide reasonable protection against harmful interference in a residential installation. This equipment generates, uses, and can radiate radio frequency energy and, if not installed and used in accordance with the instructions, may cause harmful interference to radio communications. However there is no guarantee that interference will not occur in a particular installation. If this equipment does cause harmful interference to radio or television reception, which can be determined by turning the equipment off and on, the user is encouraged to try to correct the interference by one or more of the following measures:

- Reorient or relocate the receiving antenna
- Increase the separation between the equipment and receiver
- Connect the equipment into an outlet on a circuit different from that to which the receiver is connected
- Consult the dealer or an experienced radio/TV technician for help.

### Radio Transmitters (Part 15)

This device complies with Part 15 of the FCC Rules. Operation is subject to the following two conditions: (1) this device may not cause harmful interference, and (2) this device must accept any interference received, including interference that may cause undesired operation.

### Radio Frequency Interference Requirements - Canada

This Class B digital apparatus complies with Canadian ICES-003.

Cet appareil numérique de la classe B est conforme à la norme NMB-003 du Canada.

### Radio Transmitters

This device complies with RSS 210 of Industry & Science Canada. Operation is subject to the following two conditions: (1) this device may not cause harmful interference and (2) this device must accept any interference received, including interference that may cause undesired operation.

Label Marking: The Term "IC:" before the radio certification only signifies that Industry Canada technical specifications were met.



## CE Marking and European Economic Area (EEA)

RLAN's (2.4GHz) for use through the EEA have the following restrictions:

- Maximum radiated transmit power of 100 mW EIRP in the frequency range 2.400 - 2.4835 GHz
- France, equipment is restricted to 2.4465 - 2.4835 GHz frequency range
- Belgium outside usage, the equipment is restricted to 2.460 - 2.4835 GHz frequency range
- Italy requires a user license for outside usage.

Bluetooth™ for use through the EEA have the following restrictions:

- Maximum radiated transmit power of 100 mW EIRP in the frequency range 2.400 - 2.4835 GHz
- Belgium outside usage, the equipment is restricted to 2.460 - 2.4835 GHz frequency range
- Italy requires a user license for outside usage.

### Statement of Compliance

Symbol Technologies, Inc., hereby, declares that this device is in compliance with the essential requirements and other relevant provisions of Directives 1999/5/EC, 89/336/EEC and 73/23/EEC. Declaration of Conformities may be obtained from: <http://www2.symbol.com/doc/>

### Other Countries

Mexico - Restrict Frequency Range to: 2.450 - 2.4835 GHz

Israel - Restrict Frequency Range to: 2.418 - 2.457 GHz

Sri Lanka - Restrict Frequency Range to: 2.400 - 2.430 GHz

Draft