

Processing Gain Calculation Symbol Technologies LA-4131 WLAN PC Card

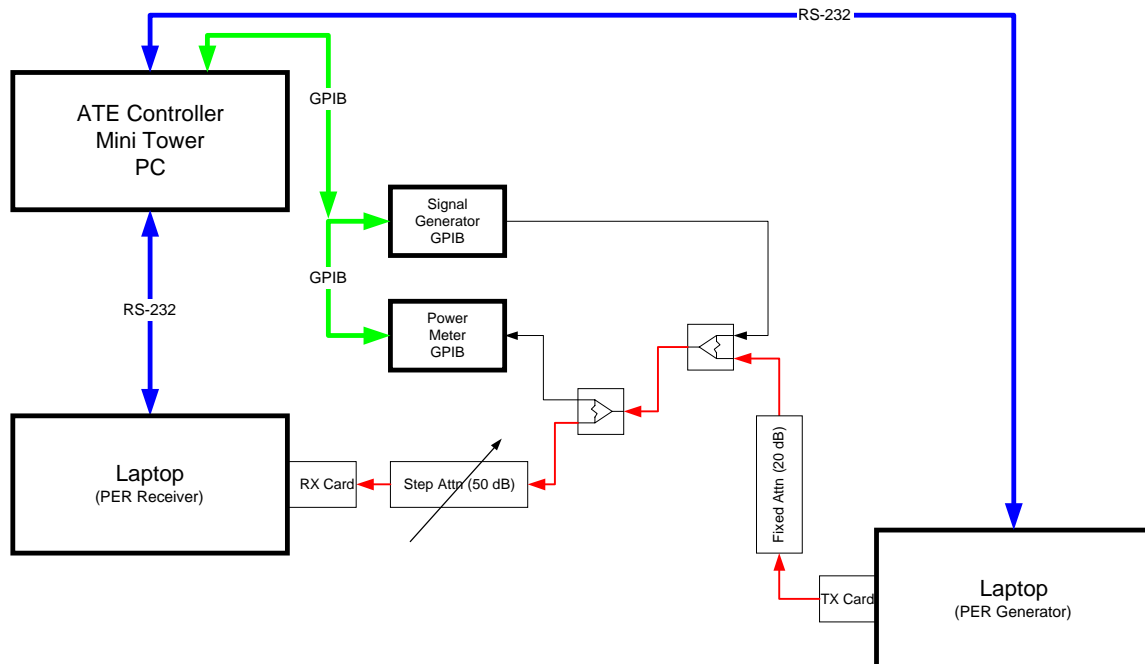
Norman H. Nelson, Sr. EMC Engineer
June 18, 2001

Symbol calculated the processing gain from the jamming margin of the LA-4131 transceiver as specified in 15.247 (e)(2).

Test Setup

The purpose of the jamming test is to determine how effective the modulation, coding and decoding is at rejecting the corrupting influence of a CW jammer signal. Where as most setups use a BER to generate data and count errors because the modulator chip architecture prevents injecting data after chipping, Symbol chose to use another LA-4131 as the transmitter and data generator. A link between the transmitter and receiver is made and path loss adjusted so that the BER is $10E-5$. The path loss is then reduced by 10 dB so that the BER approaches zero. Finally a jamming signal is combined with the transmitted signal to degrade the system performance. The jamming signal amplitude is then adjusted to the point that the BER is degraded to $10E-5$.

The relationship between PER and BER is as follows. In order to get a good packet we need 8×1024 good bits. Stated mathematically. $1 - \text{PER} = (1 - \text{BER})^{(8 \times 24)}$. Or $\text{BER} = 1 - (1 - \text{PER})^{(1/(8 \times 1024))}$.



Jamming Margin Test Setup

The major blocks of the jamming margin test are a transmitter, a receiver, and a jammer. The TX card formats and transmits packets of data consisting of 1024 bytes
LA-4131 Processing Gain Calculations

each. The RX card then attempts to read each packet. The Signal Generator provides the jamming signal. The splitters combine the TX and jammer signals and provide a port to measure the power levels within the RF link. The PER Generator Laptop controls the transmit card and the PER receiver laptop controls the receiver. The ATE PC automates the test by controlling the two laptops, the Signal Generator, and the power meter.

Software blocks

The key to this test is three software programs Packet Generator (PG), Packet Counter (PC), and Jam Margin Controller (JMC). The first two work together to form the PER measurement system and the last to control the jammer, the power meter, and the other two software blocks.

Packet Generator runs on the PG Laptop and controls the transmit card. A trigger on the serial port line commands the TX card to generate and transmit 1000 packets of 1024 bytes at a specified data rate.

Packet Counter runs on the PER receiver laptop and queries the RX card for the number of packets it has received. A trigger on the serial port causes the Packet Counter to report the number of packets to the ATE Controller and reset the Packet Counter to zero. The Packet counter automatically detects the data rate of the incoming packet stream.

The other Jamming Margin Controller (JMC) runs on the ATE PC and controls the Signal Generator, the Power Meter, and PGAC running on the Dual Slot laptop.

PG commands the TX card to transmit a set of 1000 packets of 1024 bytes of data. The RX card receives the packets and PC sends the number of good packets received to the serial port. The functional purpose is the same as a BER meter. A new set is run every time a new trigger is received on the serial port from JMC.

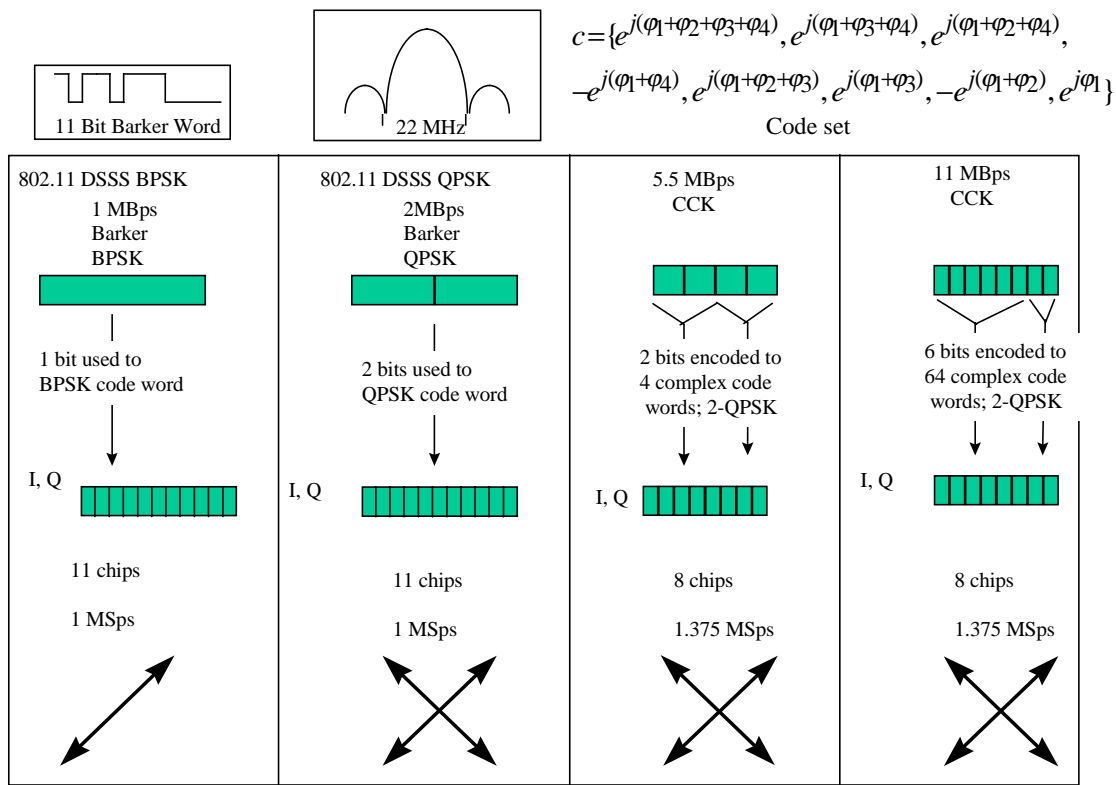
JMC controls the jammer, the power meter, and the Dual Slot program. JMC sets the frequency and level of the signal generator that acts as a jammer. JMC then sends a trigger to PG. The trigger causes PG to run another set of packets and PC reports the number of good packets back to JMC. The packet error rate is then converted to BER and JMC adjusts the Jammer level appropriately. A search algorithm is built into JMC to have the jammer converge to the right level for a $10E-5$ BER. The jammer resolution is .1 dB.

When the jammer level causes a BER of $10E-5$, the JMC program turns off the TX card and commands the power meter to read the jammer power level. JMC then turns off the jammer, turns on the TX card, and measures its power. Then S is offset for duty cycle and J/S is calculated from the two power measurements and recorded to disk. In this way as the test progresses and the TX card warms up power fluctuations due to temperature are referenced out.

The test is then repeated at the next jammer frequency. In this instance the test is conducted across the band of a single channel at 50KHz steps.

Data Rate and Modulation Description

Modulation Technique and Data rates



Mode	Chip/Symbol
1 MBps	11/1
2 MBps	11/2
5.5 MBps	8/2
11 MBps	8/8

Gp Calculation from J/S data

$$G_p = E_b/N_0 + J/S + L_{sys}$$

$$\text{Where } L_{sys} \leq 2 \text{ dB}$$

Mbps	E_b/N_0 (dB)	$G_p = J/S +$
1	10.6	12.6
2	10.6	12.6
5.5	15.6	17.6
11	16.6	18.6

Test Results

Attached are four plots of J/S and G_p vs F in MHz for 1, 2, 5.5 and 11 Mbps

The lower line shows the J/S as taken from the power ratios measured with the power meter. The upper line shows the processing gain G_p as calculated from the Jamming Margin data. Note that the lowest 20% of the data points were discarded as specified in 15.247 (e)(2).

Results Table

Mode (Mbps)	G _p (dB)
1	10.56
2	10.32
5.5	11.87
11	10.68



Read from JS File.vi

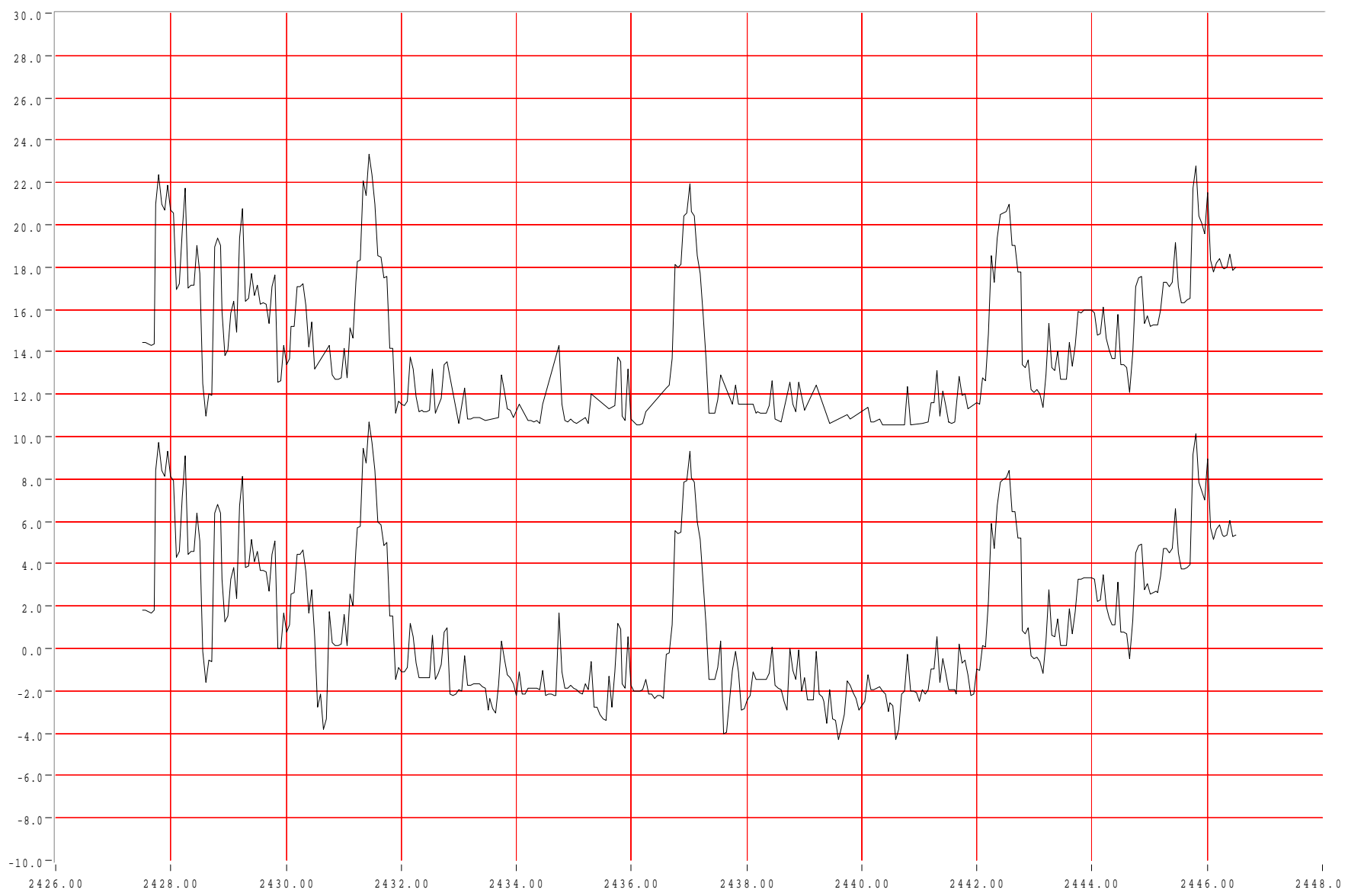
G:\LabView\Project\Jamming\Read from JS File.vi

Last modified on 3/23/01 at 4:04 PM

Printed on 3/23/01 at 4:04 PM

File LA4131 1 Mbps.dat

LA-4131 Processing Gain Plot: 1 Mbps



min value MHz Gp
 2436.15 10.56

Raw J/S
Gp



Gp Offset 12.60



Read from JS File.vi

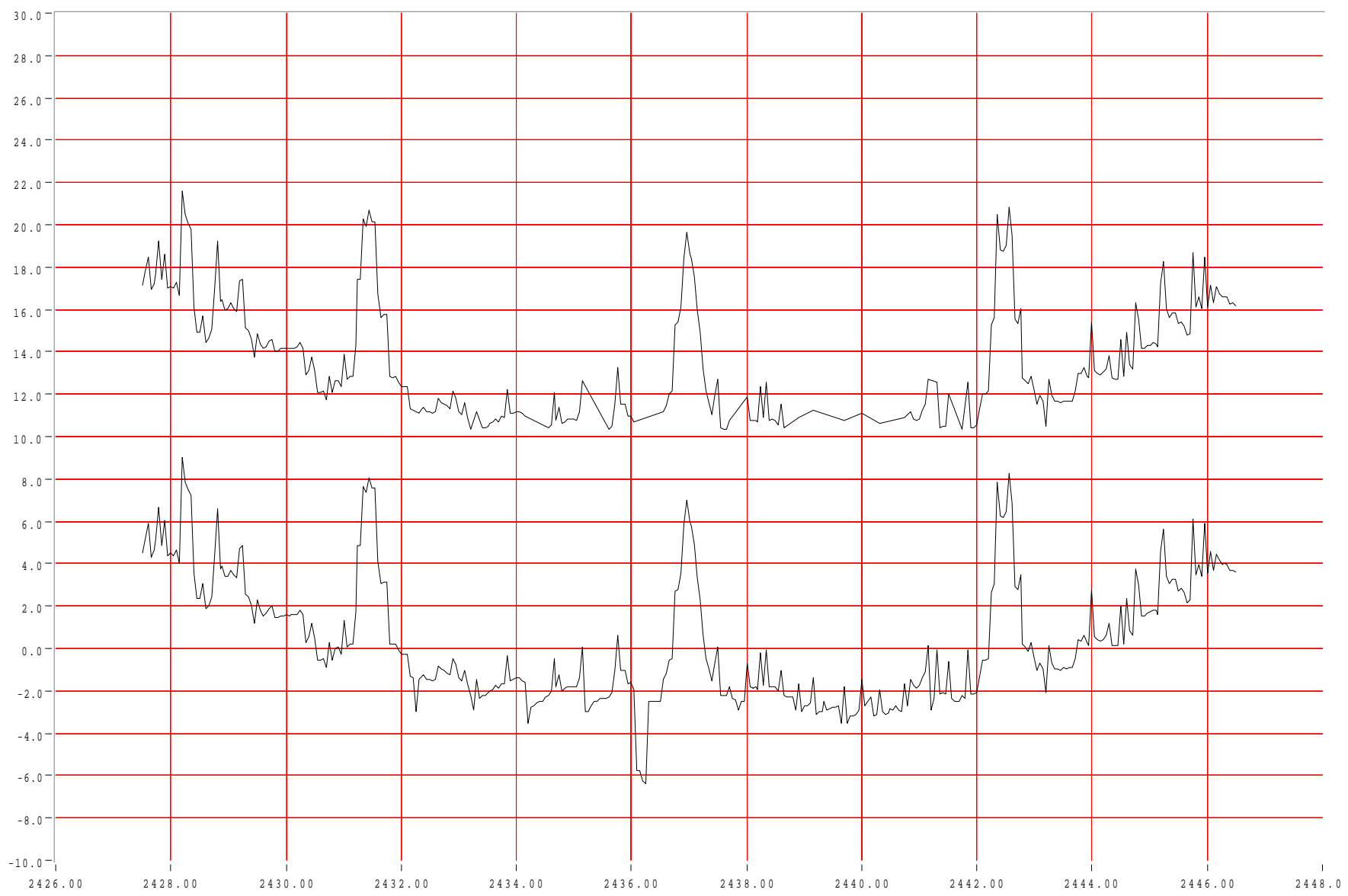
G:\LabView\Project\Jamming\Read from JS File.vi

Last modified on 3/23/01 at 4:04 PM

Printed on 3/23/01 at 4:42 PM

File LA4131 2 Mbps.dat

LA-4131 Processing Gain Plot: 2 Mbps



min value MHz Gp
 2435.60 10.32

Raw J/S
Gp



Gp Offset 12.60



Read from JS File.vi

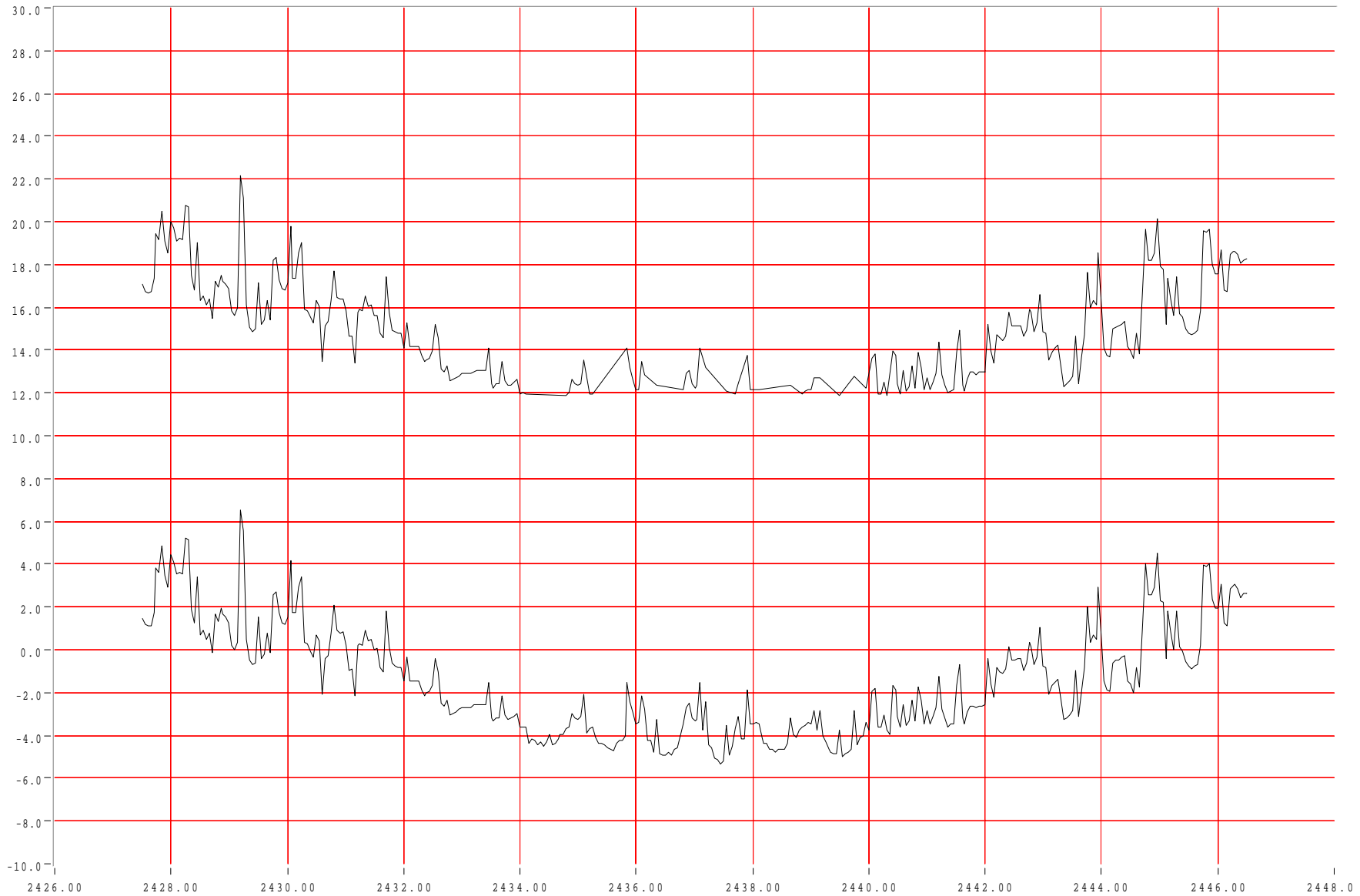
G:\LabView\Project\Jamming\Read from JS File.vi

Last modified on 3/23/01 at 4:04 PM

Printed on 3/23/01 at 4:51 PM

File LA4131 5.5 Mbps.dat

LA-4131 Processing Gain Plot: 5.5 Mbps



min value MHz Gp
 2440.30 11.87

Raw J/S
Gp



Gp Offset 15.60



Read from JS File.vi

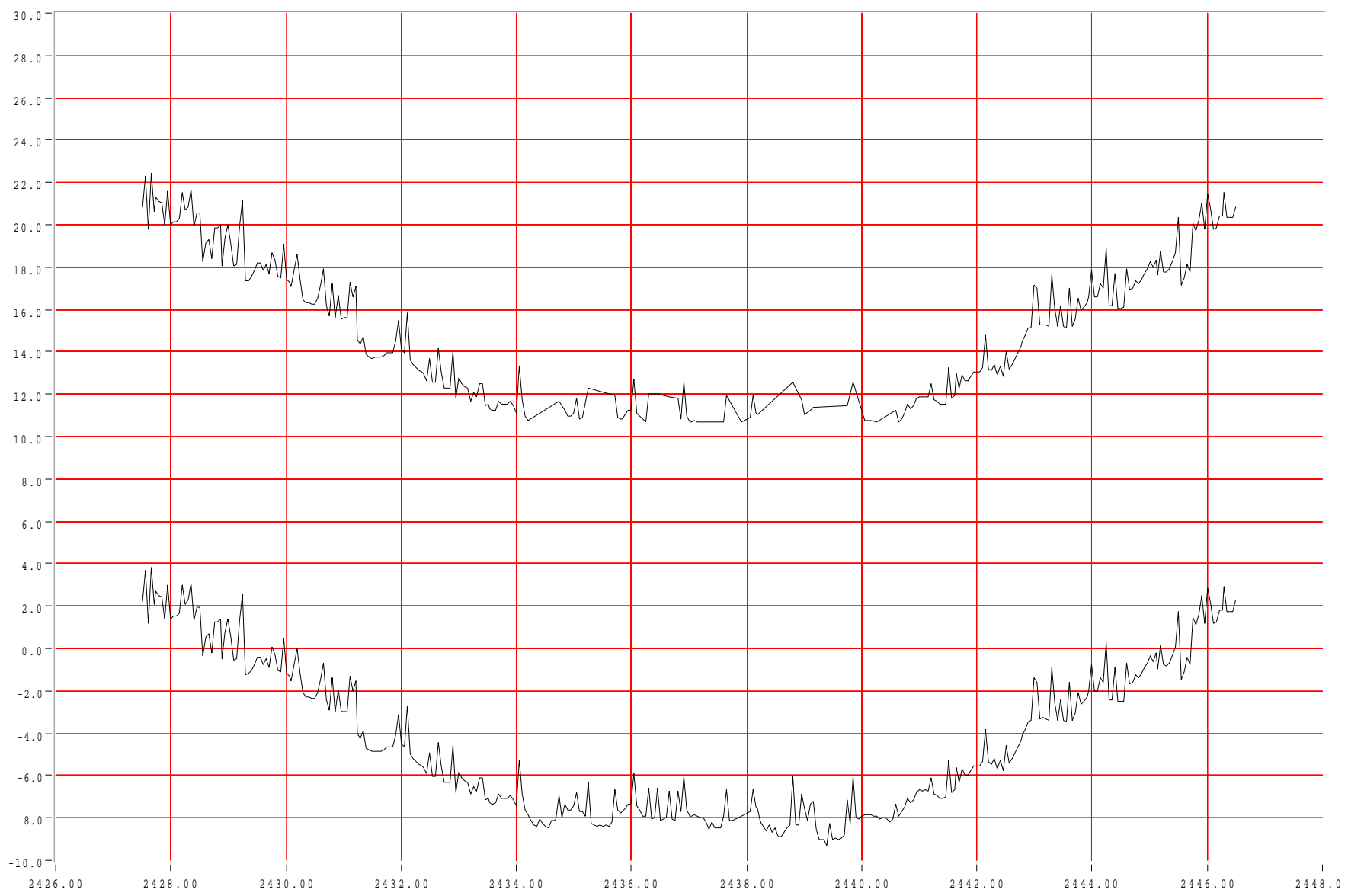
G:\LabView\Project\Jamming\Read from JS File.vi

Last modified on 3/23/01 at 4:04 PM

Printed on 3/23/01 at 4:52 PM

File LA4131 11 Mbps.dat

LA-4131 Processing Gain Plot: 11 Mbps



min value MHz Gp
 2437.90 10.68

Raw J/S
Gp



Gp Offset 18.60