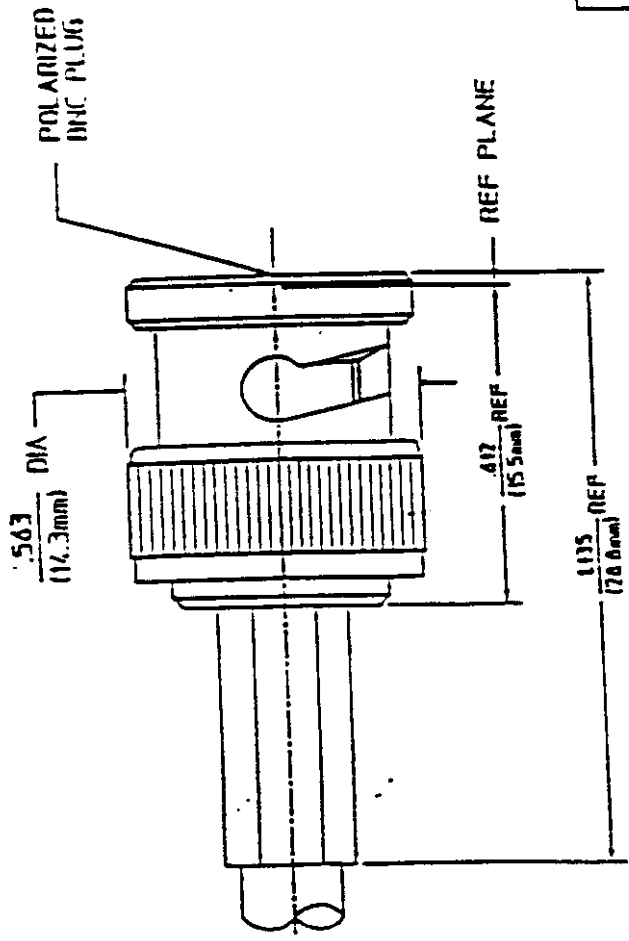


EXHIBIT 4

SCHEMATIC DIAGRAMS

Exhibit 4 to this application is enclosed under a separate cover of Exhibit 7. As explained in the letter accompanying Exhibit 7, Symbol Technologies Inc., requests the Commission withhold Exhibit 4 from public disclosure because it contains trade secrets and confidential commercial information valuable to Symbol Technologies



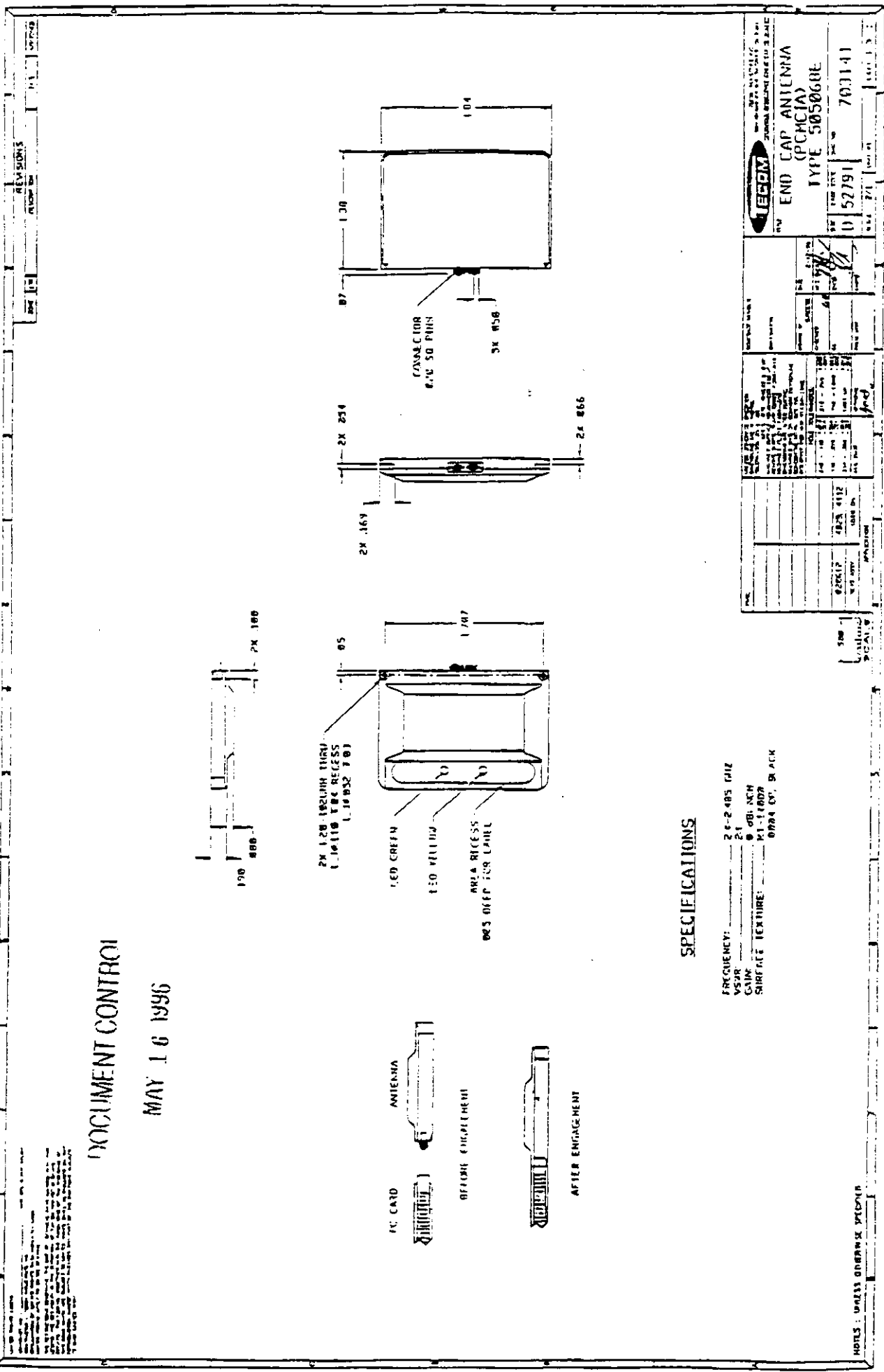
BODY PARTS	BRASS	MATERIAL
DIELECTRIC	TFE FLUOROCARBON PER ASTM-D-1457	FINISH
CENTER CONTACT	NIOBILIUM COPPER PER ASTM B 196, ALLOY C17300, CONDITION II	BRIGHT NICKEL OVER COPPER
<p>COMPONENT</p> <p>PLEASE REFERENCE SPECIFIED DIMENSIONS AND TOLERANCES IN THE DRAWING.</p> <p>DATE: 02/11/95</p> <p>BY: S. Maly</p> <p>ONE ASSEMBLY</p> <p>DATE: 02/11/95</p>		
<p>MA/ACOM</p> <p>MA-COM Connecticut Division</p> <p>Waltham, Massachusetts 02154</p> <p>CONNECTICUT DIVISION</p>		
<p>TITLE: BNC CABLE PLUG (POLARIZED) WITH ATTACHMENT</p>		
REV	DATE	DESCRIPTION
1	12/31-5004-10	A 0

DESIGNED FOR USE WITH	
100-50 CABLE	
CABLE ENTRY (DIAMETER)	
FOR JACKET	0.00
FOR INSULATION	0.00
FOR SLEEVE	0.00

#7

DOCUMENT CONTROL

MAY 16 1996



SPECIFICATIONS

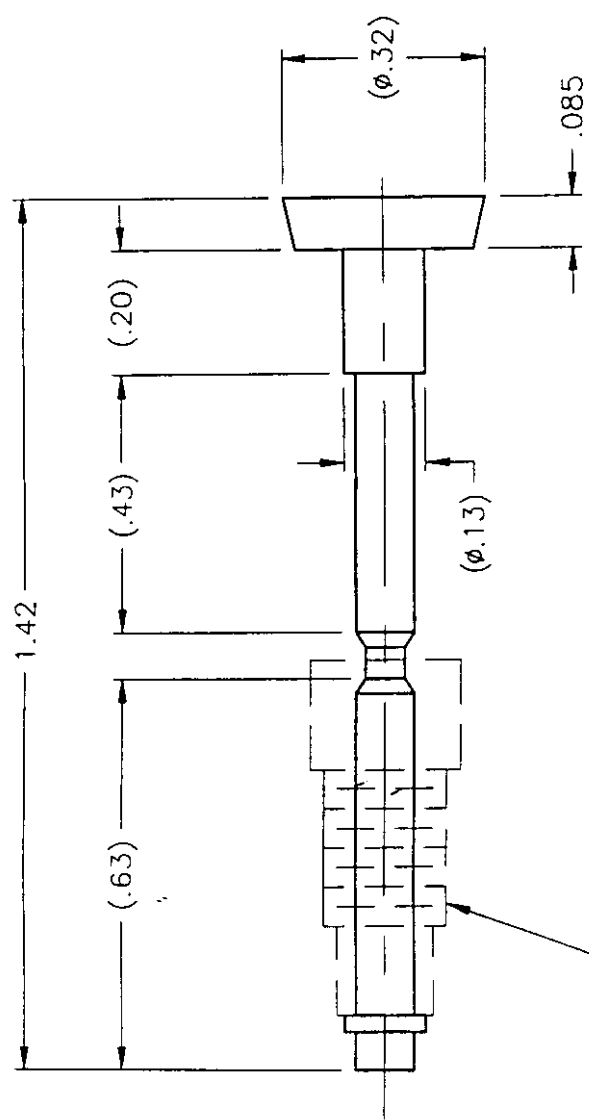
FREQUENCY: 2.4-2.485 GHz
 VSWR: 2:1
 CABLE: 0.01 NCH
 SURFACE TEXTURE: R1-1600A
 0704 CV, BACK

		END CAP ANTENNA (PCMCIA) TYPE 505060E	
PART NO. 52791	QTY 71	DATE 7/1	REV 703141
DRAWN BY: [Signature] CHECKED BY: [Signature] APPROVED BY: [Signature]		DATE: [Date] TIME: [Time]	
MATERIALS: [List of materials] FINISHES: [List of finishes]		DIMENSIONS: [List of dimensions] TOLERANCES: [List of tolerances]	
WEIGHT: [Weight] VOLUME: [Volume]		COMMENTS: [Comments]	

NOTES: UNLESS OTHERWISE SPECIFIED

REV	DESCRIPTION	DATE	APPROVED
~	PRELIMINARY PER ER 6385-10		

#8



M5 X .5 PITCH THREAD

NOTES:

ELECTRICAL

- FREQUENCY - 2.4 / 2.5 GHz
- IMPEDANCE - 50 ohms
- VSWR - 2.0 : 1 MAX.
- POLARIZATION - LINEAR
- GAIN - 0 dBi

MECHANICAL:

- STRUCTURE - SPRING WIRE
- FINISH - BLACK NICKEL & BLACK PLASTIC TUBES

#8

 2950 VETERANS MEMORIAL HWY. BOHEMIA, N.Y. 11716		5-15-97	
		DWN	JJ BARBERA
		CHK	M. COHEN
		APPROVED	
		ME	B. ROVINSKY
		EE	M. KHOSRAVI
		MFR	R. BELLASSAI
		QA	G. NILSON
		PROD	P. LUIS
		5-15-97	
DM DR10-3 2.4Ghz WHIP (DATA RELAY ANTENNA)		SIZE	85226
		DWG No.	261B2433
		SCALE	4/1
		REF.	SHEET 1 OF 1
		REV	-

TOLERANCES	
LINEAR	ANGULAR
X ±.1	±0'30"
XX ±.03	
XXX ±.010	

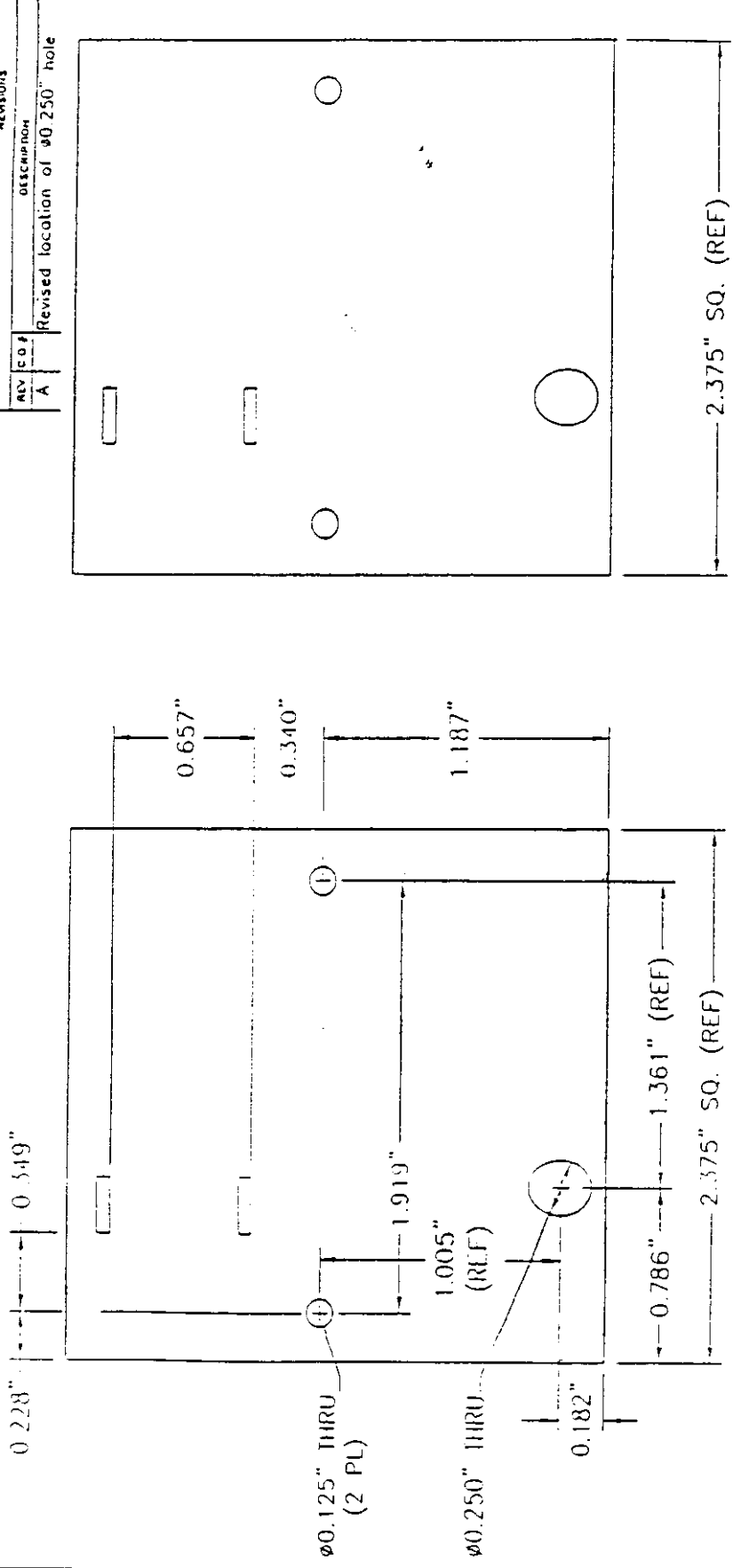
MATERIAL: -----

FINISH: -----

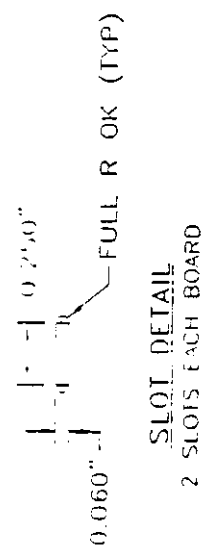
NEXT ASSY: USED ON

THIS DRAWING CONTAINS INFORMATION PROPRIETARY TO DORNE & MARGOLIN, INC. (CORTELIN). MAY NOT BE REPRODUCED OR USED IN ANY MANNER WITHOUT WRITTEN PERMISSION OF DORNE & MARGOLIN, INC.

REVISED		DESCRIPTION	ISSUE DATE	APPROVED
REV	C.O.P.	Revised location of $\phi 0.250$ " hole	1/30/98	WOB
A				



IMPEDENCE: 50 ohm
 GAN: 3 dbi



IMPEDENCE: 50 ohm
 GAN: 3 dbi

#16

VOCOLLECT PART NO. 656022 (PRINTED SIDE)
 (FOR REF. ONLY - PART IS MARKED AS PT#209215)
 HOLE & SLOT DIMS & LOCATIONS SAME AS FOR PART NO. 656021

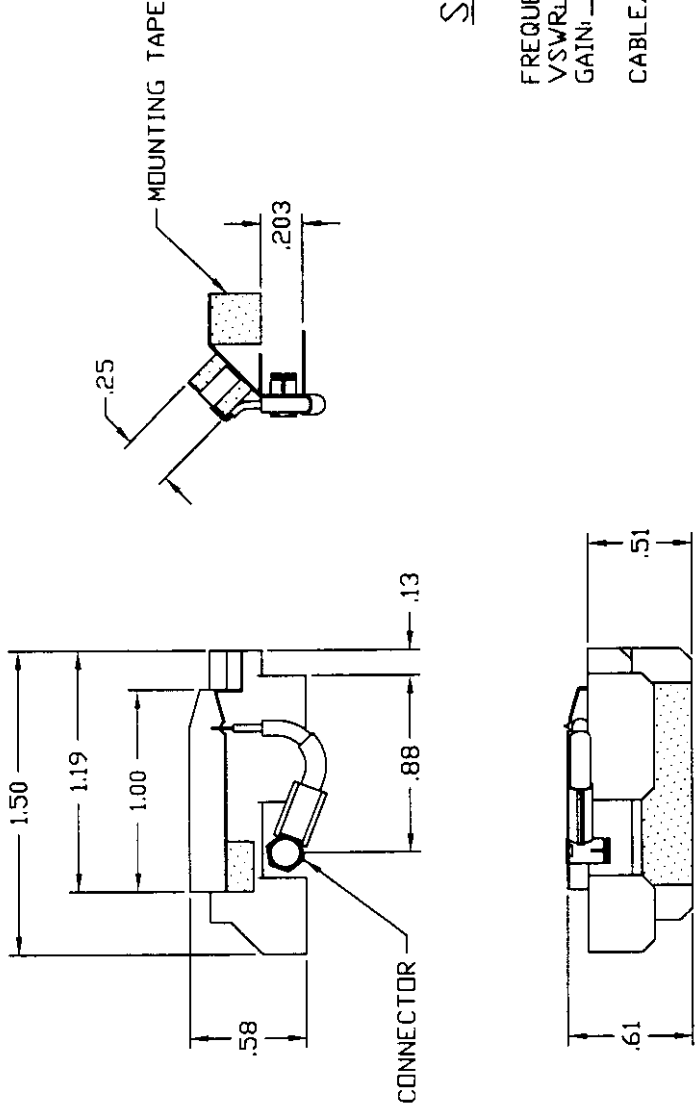
PRODUCTION

VOCOLLECT, INC. 701 Rock Road, Pittsburgh, PA 15235		DATE 6/16/97
ALL DIMENSIONS UNLESS OTHERWISE SPECIFIED UNLESS OTHERWISE SPECIFIED DIMENSIONS ARE IN INCHES DECIMALS UNLESS OTHERWISE SPECIFIED FRACTIONS UNLESS OTHERWISE SPECIFIED ANGLES IN DEGREES UNLESS OTHERWISE SPECIFIED UNLESS OTHERWISE SPECIFIED		APPROVALS W. BOEHRER CHECKED
MATERIAL FINISH		DATE 6/16/97
DO NOT SCALE DRAWING		APPROVED APPROVED
SIZE B	DRAWING NO. VC06B007	REV. P. 1
SCALE 2:1	C-03 FILE 06B07P1A	SHEET 1 OF 1

ZONE		LTR		DESCRIPTION		DATE		APPROVED	
D		D		REVISED & REDRAWN		12-5-97		DBL	
				VD 4690					

REVISIONS	
1	
2	
3	
4	
5	

LIMITED RIGHTS LEGEND
 CONTRACT NO. _____ AND SEE BLOCK BELOW
 CONTRACTOR: TECOM INDUSTRIES, INC.
 EXPLANATION OF LIMITED RIGHTS DATA INDICATION USED
 LIMITED RIGHTS APPLY TO ENTIRE DRAWING
 THE RESTRICTIONS GOVERNING THE USE OF TECHNICAL DATA MARKED WITH THIS LEGEND ARE SET FORTH IN THE DEFINITION OF "LIMITED RIGHTS" IN DEPARTMENT OF DEFENSE ACQUISITION REGULATIONS AND SUPPLEMENTARY NOTES THEREOF, WHICH ARE SUBJECT TO LIMITED RIGHTS SHALL BE INCLUDED ON ANY REPRODUCTION HEREOF WHICH INCLUDES ANY PART OF THE PORTIONS SUBJECT TO SUCH LIMITED RIGHTS.



SPECIFICATIONS

FREQUENCY: 2400-2485 MHZ
 VSWR: 2:1
 GAIN: 0dbi NOMINAL
 CABLE/CONNECTOR: TECOM 817283-11
 MXYH62XXXXXXX

13

		TECOM INDUSTRIES INC. 8324 TORINCA CTR BLDG CHATSWORTH, CA 91311 TECHNICAL EXCELLENCE COMMITTED TO QUALITY	
TITLE ANTENNA, 2.4 GHZ TYPE 505087E		DWG NO 703340	
CONTRACT NUMBER CONTRACTOR	DRAWN BY D.B. FRANK	DATE 4-24-97	MFG ENGR JK
UNLESS OTHERWISE SPECIFIED: DIMENSIONS ARE IN INCHES. TOLERANCES: HOLE ± .010 ANGLES ± 0°30' MACHINED SURFACE ROUGHNESS 125 ✓ REMOVE BURRS, SHARP EDGES R.005-.015 MACHINED FILLETS R.005-.015 UNLESS OTHERWISE SPECIFIED, MACHINED DIMS ON COMMON CENTERLINE CONCENTRIC WITHIN .005 TIR. INTERPRET PER ANSI Y14.5M-1982.	CHECKER GR	ENGR OA	ENGR BI
HOLE TOLERANCES: .040 - .128 +.001 .156 - .228 +.001 .234 - .500 +.006 .515 - .750 -.001 .765 - 1.000 -.002 1.031 UP +.015 APPROVAL	MAIL ENGR	APPROVAL	ENGR
(PAGER) 821694	NEXT ASSY USED ON	APPLICATION	SCALE 2/1
UNIT WT 52791	UNIT WT 2/1	SHEET 1 OF 1	SHEET 1 OF 1

NOTES : UNLESS OTHERWISE SPECIFIED

908-43300
 AMPHENOL
 3300
 95/11

8.5"

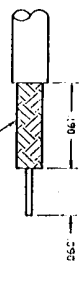
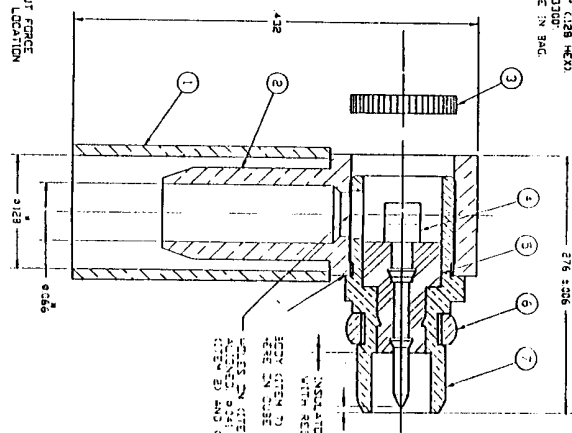
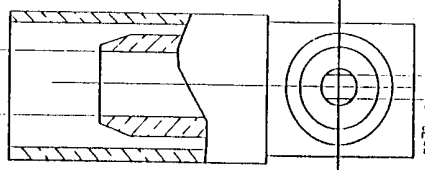
11"

8.5"

17"

- NOTES:
1. USE STAINLESS STEEL DRAWING
 2. MAXIMUM ALLOWABLE STRESS AND CORROSION RESISTANCE SHALL BE AS SPECIFIED IN THE DRAWING.
 3. DIMENSIONS ARE AFTER PLATING.
 4. USE ASSEMBLY INSTRUCTIONS 349-50598 AND CRIMP STRIPPING DIMENSIONS TO MATCH SPEC 349-50598 CONNECTOR.
 5. USE ASSEMBLY INSTRUCTIONS 349-50598 AND CRIMP STRIPPING DIMENSIONS TO MATCH SPEC 349-50598 CONNECTOR.
 6. USE ASSEMBLY INSTRUCTIONS 349-50598 AND CRIMP STRIPPING DIMENSIONS TO MATCH SPEC 349-50598 CONNECTOR.
 7. DIMENSIONS IN PARENT PARENTHESIS ARE FOR REFERENCE ONLY. DIMENSIONS IN BRACKETED PARENTHESIS INDICATE CABLE CONNECTIONS IN SPEC.

CONTACT ITEM A TO RESIST A CHANGE OF CONTACT POINT REQUIREMENT BEFORE AND AFTER TEST



INSULATOR LOCATED AND WITH RESPECT TO STEP ON BODY. BODY (ITEM 7) MUST BOTTOM HERE IN CRIMP BODY (ITEM 2). DIMENSIONS IN PARENT PARENTHESIS ARE FOR REFERENCE ONLY. DIMENSIONS IN BRACKETED PARENTHESIS INDICATE CABLE CONNECTIONS IN SPEC.

UNLESS OTHERWISE SPECIFIED, DIMENSIONS ARE IN INCHES AND DECIMALS ARE TO 0.01 (0.001 mm). DIMENSIONS IN PARENT PARENTHESIS ARE FOR REFERENCE ONLY. DIMENSIONS IN BRACKETED PARENTHESIS INDICATE CABLE CONNECTIONS IN SPEC.

DATE: 3-17-95
 DRAWN BY: KMM/MS
 CHECKED BY: SA
 REFERENCE: CAN 964571-3
 915X-1280-200

REV	DATE	DESCRIPTION	BY	CHK
1	3-17-95	INITIAL		
2		MICROPLATE PLUG RIGHT ANGLE CRIMP TO RG316 CABLE		

REV	DATE	DESCRIPTION	BY	CHK
1	3-17-95	INITIAL		
2		MICROPLATE PLUG RIGHT ANGLE CRIMP TO RG316 CABLE		

REV	DATE	DESCRIPTION	BY	CHK
1	3-17-95	INITIAL		
2		MICROPLATE PLUG RIGHT ANGLE CRIMP TO RG316 CABLE		

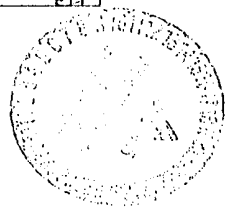
REV	DATE	DESCRIPTION	BY	CHK
1	3-17-95	INITIAL		
2		MICROPLATE PLUG RIGHT ANGLE CRIMP TO RG316 CABLE		

REV	DATE	DESCRIPTION	BY	CHK
1	3-17-95	INITIAL		
2		MICROPLATE PLUG RIGHT ANGLE CRIMP TO RG316 CABLE		

REV	DATE	DESCRIPTION	BY	CHK
1	3-17-95	INITIAL		
2		MICROPLATE PLUG RIGHT ANGLE CRIMP TO RG316 CABLE		

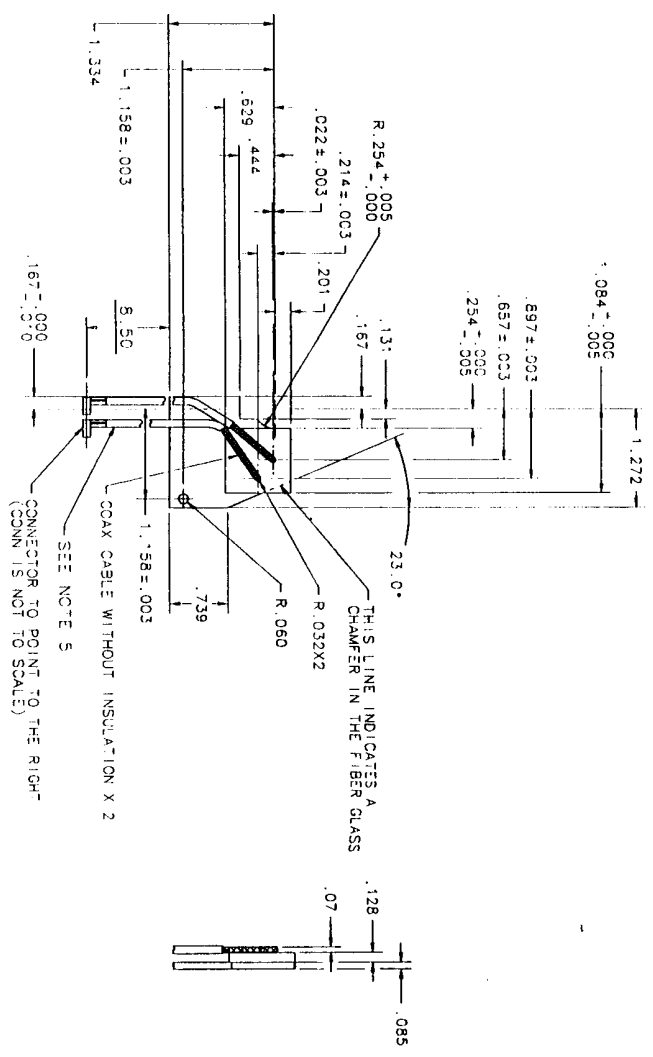
REV	DATE	DESCRIPTION	BY	CHK
1	3-17-95	INITIAL		
2		MICROPLATE PLUG RIGHT ANGLE CRIMP TO RG316 CABLE		

REV	DATE	DESCRIPTION	BY	CHK
1	3-17-95	INITIAL		
2		MICROPLATE PLUG RIGHT ANGLE CRIMP TO RG316 CABLE		



Amphenol
 Microplate Corporation
 12777 Microplate Corporation
 Danvers, Conn. USA 06810

REV. ZONE	REVISIONS	E. C.	BY	DATE
2	REVISED, REBRANN & COE P/M REV 1 P/M WAS 02-16-73-01 PER PROFESSOR		MJ	SA
3	DIR 8.50 WAS 7.750 & P/M INTERFERED MIS P/M INTERFERED (NOTE 5) SURE N/T DIR 07 WAS .015 - .128 WAS .130 SURE N/T BEL DIR 342/INDEX DIR 739 & 230 PROBS SEL NOTE 5 WAS SEE NOTE 7 PER PROBS		MJ	



- NOTES:
- 1) FREQUENCY: 2.4 - 2.5 GHZ.
 - 2) POLARIZATION - DUAL POLARIZATION.
 - 3) VSWR - 2:1
 - 4) IMPEDANCE - 50 OHMS.
 - 5) CABLE ASSY (MURATA ER-1) PART #NXXYH62XX3050.
 - 6) TOLERANCES: .XX ± .01
.XXX ± .005

ITEM NO.	PART NO.	DESCRIPTION	QUANTITY	SYMBOL

DESIGNED BY	APPROVED BY	DATE
	BRANN M JONES	07/85

SYMBOL TECHNOLOGIES INC.	BOHNER I.C. New York
ANTENNA: 2.4 GHZ	

SCALE: FULL	SHEET 1 OF 3
-------------	--------------

gath 27

LIMITED RIGHTS LEGEND
 CONTRACT NO. : TEGOM INDUSTRIES, INC. AND SEE BLOCK BELOW.
 LIMITATION OF LIMITED RIGHTS DATA INDICATION USED
 THE RESTRICTIONS GOVERNING THE USE OF TECHNICAL DATA MARKED WITH THIS LEGEND ARE SET FORTH IN THE DEFINITION OF "LIMITED RIGHTS" IN GRANS 252 OF THE FEDERAL ACQUISITION REGULATIONS. THE DEFINITION OF "LIMITED RIGHTS" IS LOCATED TOGETHER WITH THE INDICATIONS OF THE PORTIONS OF THIS DATA WHICH ARE SUBJECT TO LIMITED RIGHTS IN THE REPRODUCTION INFORMATION WHICH INCLUDES ANY PART OF THE PORTIONS SUBJECT TO SUCH LIMITED RIGHTS.

PROPOSAL DWG

ZONE 1/1

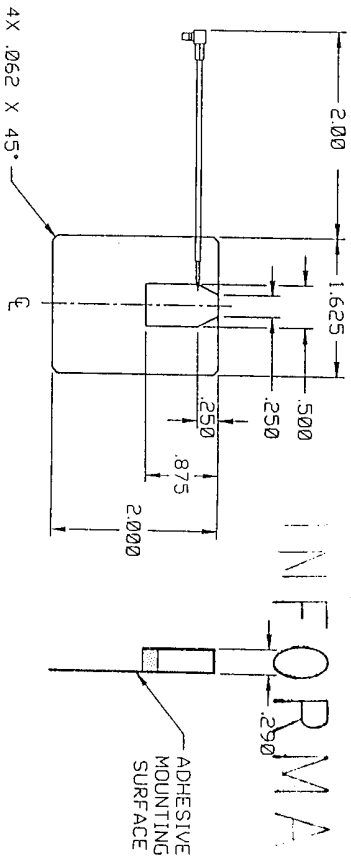
REVISIONS

DATE APPROVED

#17

ORITICARE SYSTEMS INC.
 PROPRIETARY
 INFORMATION

DOCUMENT CONTROL
 FTB 04 1938



SPECIFICATIONS

FREQUENCY: 2.4-2.485 GHz
 VSWR: 2.0:1
 GAIN: +0 DBI; NOM
 CABLE/CONNECTOR: MMCX RIGHT ANGLE

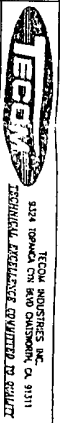
- FINISH: BRIGHT TIN PLATE PER MIL-T-10727A, TYPE 1, ELECTRO DEPOSITED .0001-.00025 IN. FINISH SHALL BE UNIFORM AND EXHIBIT NO EVIDENCE OF CORROSION OR OXIDATION WHEN VIEWED WITH THE UNAIDED EYE. EDGE PLATING ON CUT OR SHEARED SURFACES IS NOT REQUIRED.

- MATERIAL: CRS 1008 .020 THK CORNERS AND EDGES TO BE .005 MAX ALTERNATE: ELECTROLYTIC TIN

NOTES : UNLESS OTHERWISE SPECIFIED



PHUC	UNLESS OTHERWISE SPECIFIED DIMENSIONS ARE IN INCHES. TOLERANCES: .XX ± .01 ANGLES ± 0°30'	CONTRACT NUMBER	DATE
	MACHINED SURFACE FINISH: 125-015	CONTRACTOR	DATE
	WALL THICKNESS: .020	DRAWN BY: TOM KING	2-2-98
	CONCENTRIC WITH DIMENSION CENTERLINE	CHECKER	DATE
	INTERPRET PER AMS 111.5A-1982	PRECISION	DATE
	HOLE TOLERANCES:	ENDS	DATE
	Ø.00 - .128 +.001	SCALE	1/1
	.128 - .250 +.001	UNIT	WT
	.250 - .500 +.001	SHEET	1 OF 1
	.500 - 1.000 +.002		
	1.031 UP +.015		
	1.031 DN +.015		
	APPROVAL		
	USED ON		
	WC88-072		
	APPLICATION		



ANTENNA,
 2.4 GHZ,
 TYPE 505112E

703443