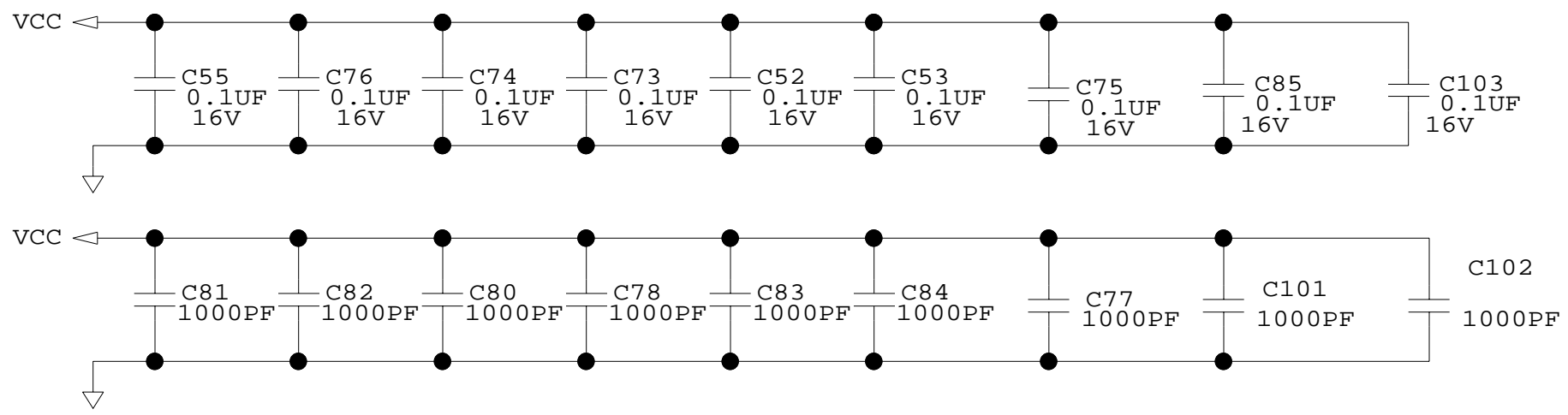
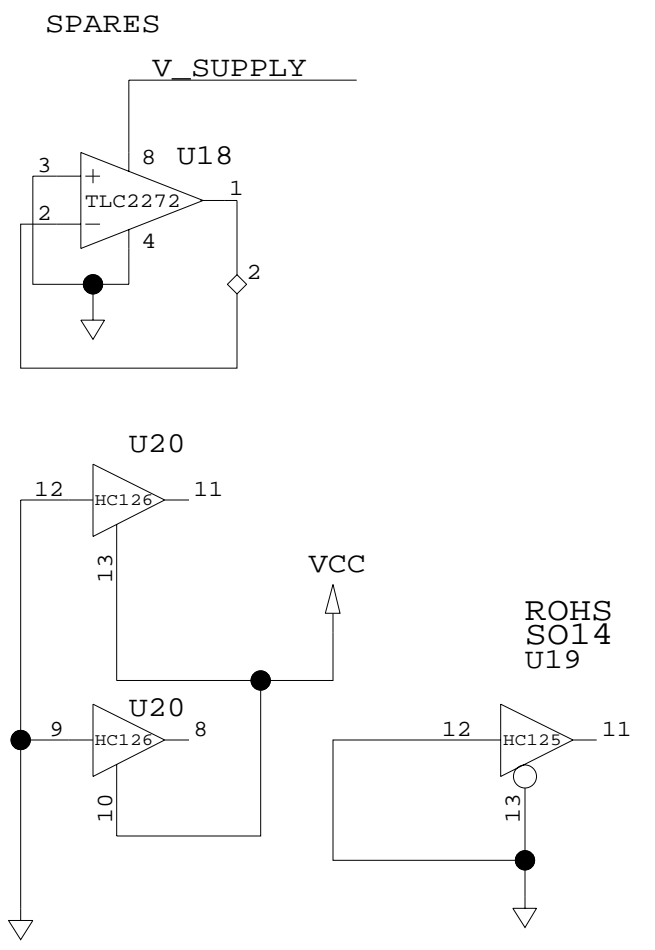
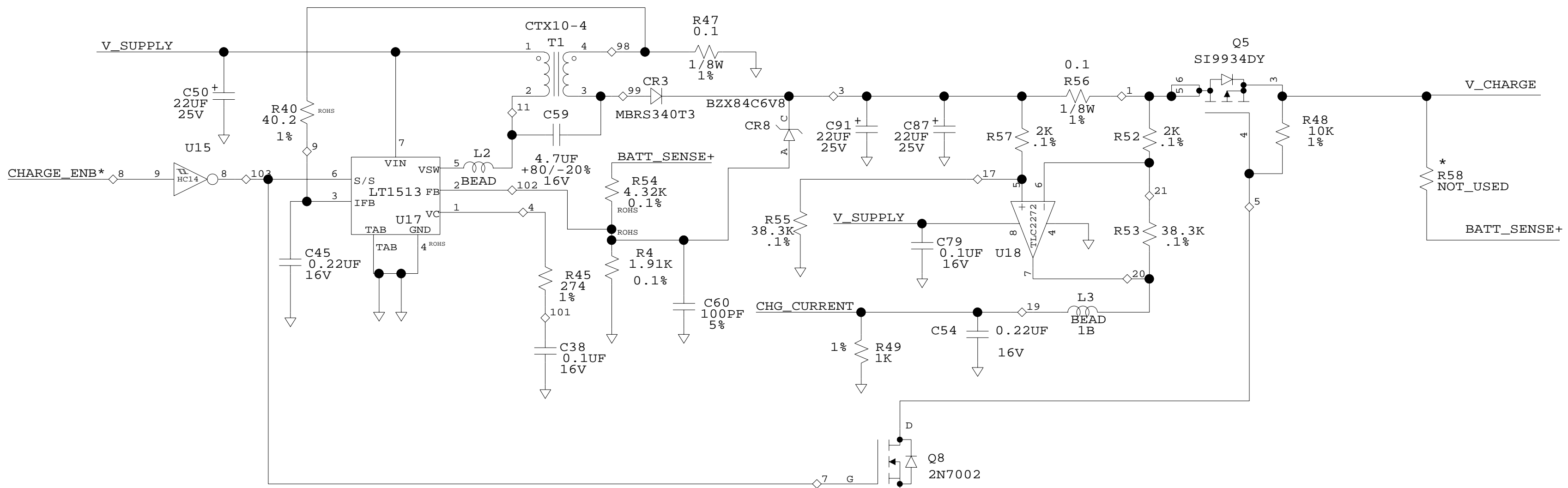
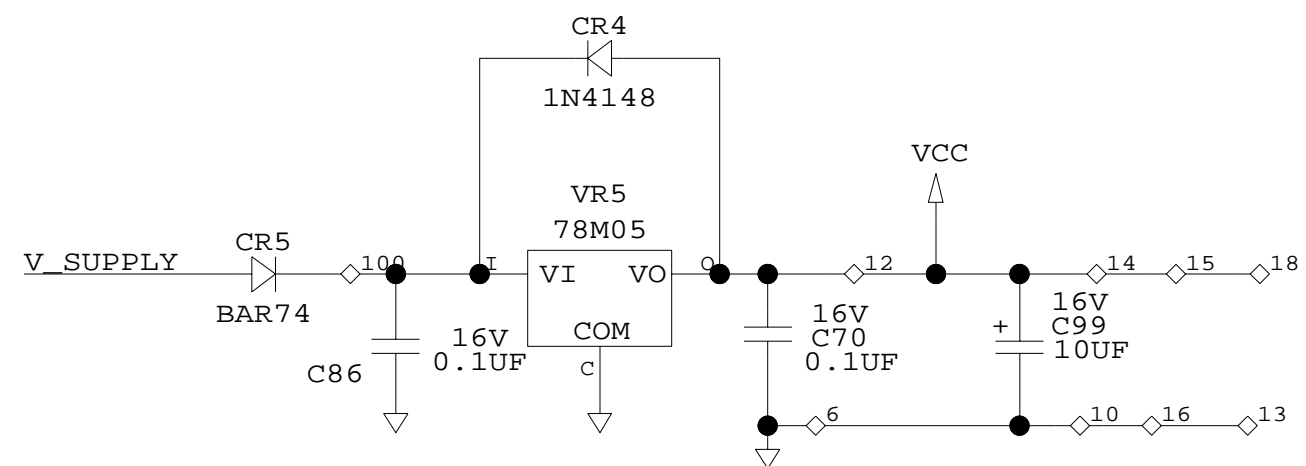


REVISIONS						
REV	ZONE	NO.	DESCRIPTION	E.C.	BY	DATE
6			RELEASE PER PPD #87181		MB	6/5/06
A			RELEASE PER EDR #78529		MB	6/20/06

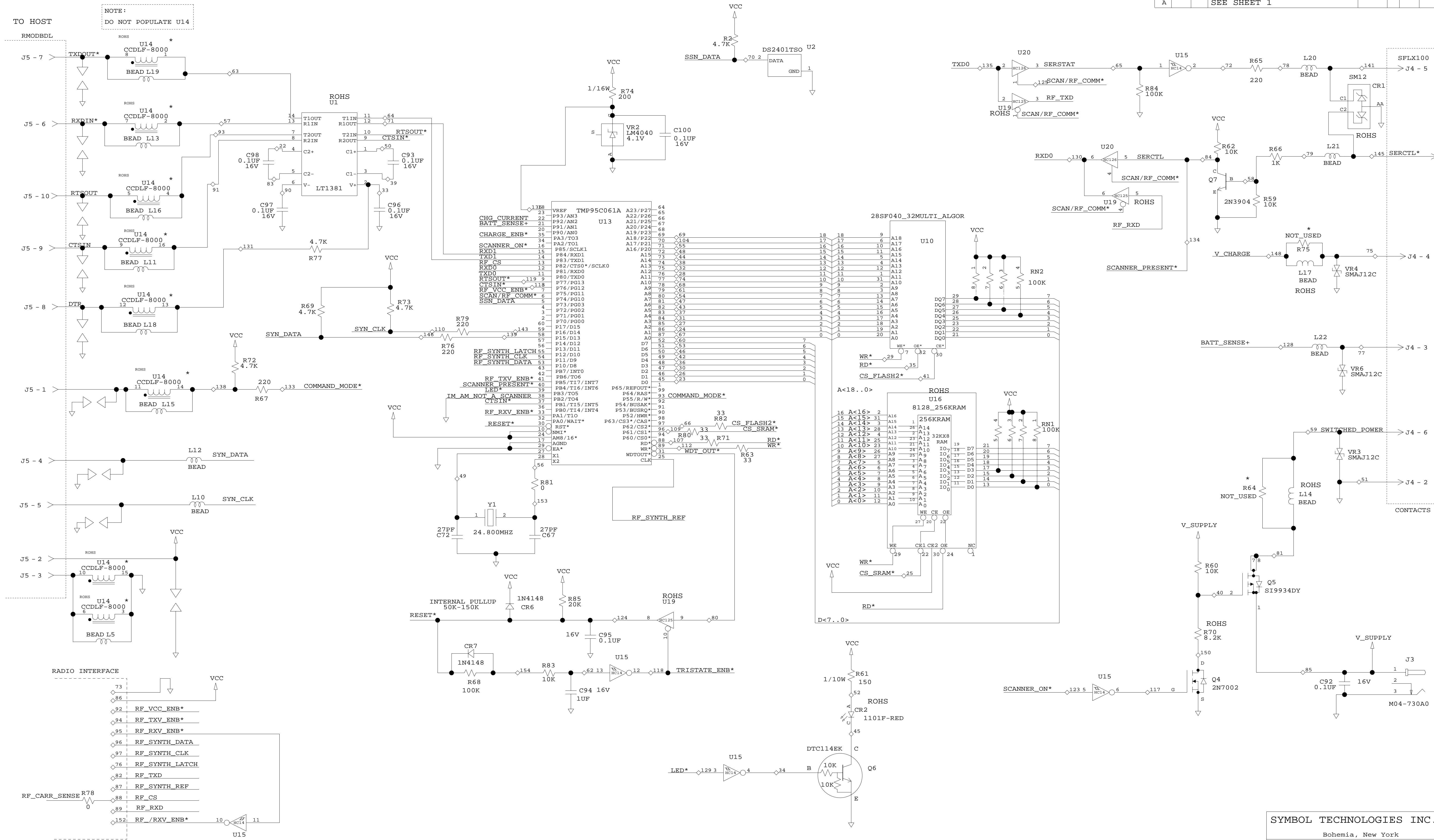


NOTES:
 1) ALL CAPACITORS ARE 50V, 10% UNLESS OTHERWISE INDICATED
 2) ALL RESISTORS ARE 1/16 WATT, 5% UNLESS OTHERWISE INDICATED
 3) THE SRAM U5 WILL BE 32KX8 UPGRADABLE TO 64KX8 OR 128KX8
 CHANGES FROM REV A TO REV B:
 CHANGE R54 AND R4 FROM 511/221 OHMS TO 4.32K/1.91K OHMS.

ITEM	QTY.	PART NO.	DESCRIPTION	REMARKS/REF. SYMBOL
PARTS LIST				
		APPROVALS		DATE
		DRAWN W. BLASZCZAK		6/20/06
		CHECKED		6/20/06
		ENGINEER		6/20/06
		C. KLICPERA		
		MFG. ENG.		
		PRODUCT		
		QUALITY		
		TEST ENG.		
		MATERIAL:		
		FINISH:		
		NEXT ASSY		USED ON
		DO NOT SCALE DRAWING		

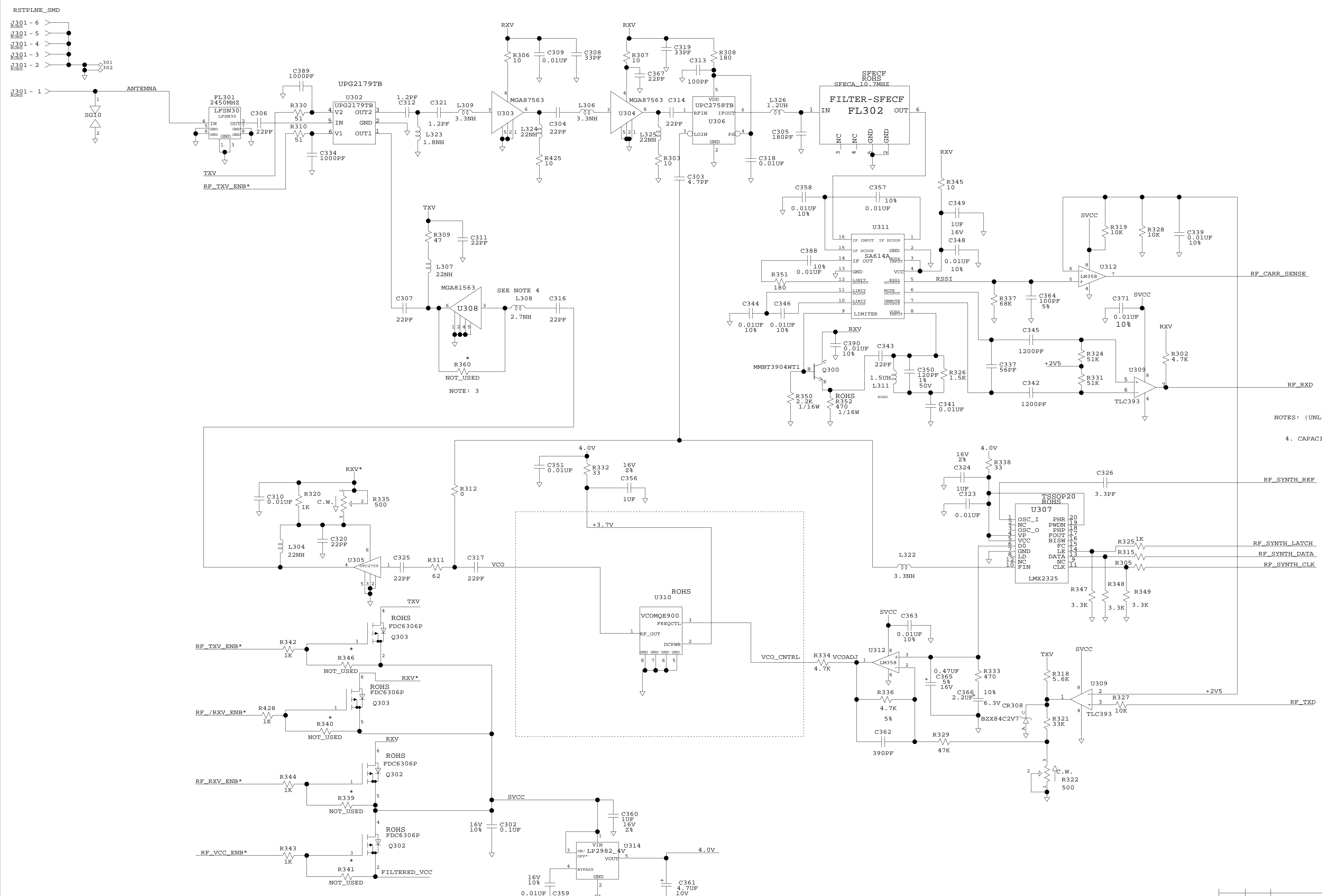
THE DWG. AND SPECIFICATION CONTAINED HEREON ARE PROPRIETARY AND MUST NOT BE USED, COPIED, REPRODUCED OR OTHERWISE DEALT WITH NOR ITS CONTENTS COMMUNICATED TO OTHERS EXCEPT IN ACCORDANCE WITH WRITTEN INSTRUCTIONS RECEIVED FROM SYMBOL TECHNOLOGIES INC.				DIMENSIONS ARE IN INCHES UNLESS OTHERWISE SPECIFIED .XX + .01 .XXX + .005 ANGLES ± 1° FRACTIONS ± 1/64		APPROVALS DRAWN W. BLASZCZAK CHECKED ENGINEER C. KLICPERA MFG. ENG.		DATE 6/20/06 6/20/06		SYMBOL TECHNOLOGIES INC. Bohemia, New York PHASER RF BASE PC BOARD	
SIZE		DWG. NO.		REV							
D		17-83835-01		A							
		Tue Jun 20 10:09:04 2006		SHEET 1		OF 3					

REVISIONS							
REV	ZONE	NO.	DESCRIPTION	E.C.	BY	APVD.	DATE
A			SEE SHEET 1				

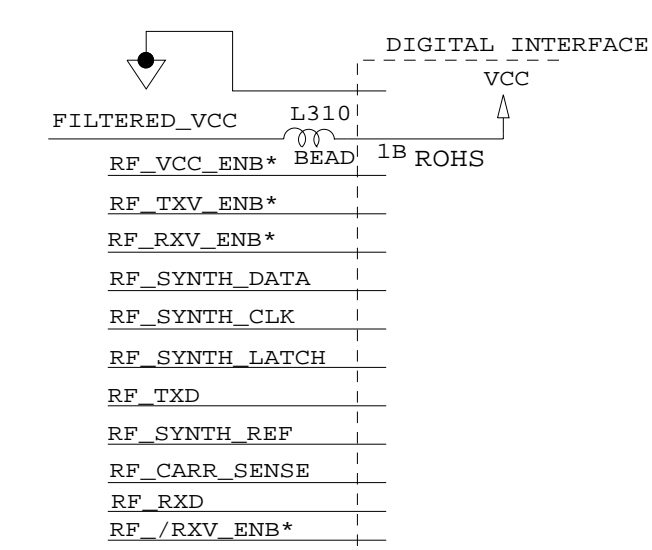


SYMBOL TECHNOLOGIES INC.
 Bohemia, New York
PHASER RF BASE
PC BOARD
 SIZE DWG. NO. 17-83835-01 REV A
 Tue Jun 20 10:09:07 2006 SHEET 2 OF 3

REVISIONS							
REV	ZONE	NO.	DESCRIPTION	E.C.	BY	APVD.	DATE
A			SEE SHEET 1				



NOTES: (UNLESS OTHERWISE SPECIFIED)
 4. CAPACITORS ARE IN MICRO-FARADS, 5%, 10V.



ITEM	QTY.	PART NO.	DESCRIPTION	REMARKS/REF. SYMBOL
PARTS LIST				
		APPROVALS	DATE	
		SYMBOL TECHNOLOGIES INC.		
		Bohemia, New York		
		PHASER RF BASE		
		10 MW RADIO SECTION		
SIZE	DWG. NO.	17-83835-01	REV	A
SCALE:	NONE		SHEET	3 OF 3

THE DWG. AND SPECIFICATION CONTAINED HEREON ARE PROPRIETARY AND MUST NOT BE USED, COPIED, REPRODUCED OR OTHERWISE DEALT WITH NOR ITS CONTENTS COMMUNICATED TO OTHERS EXCEPT IN ACCORDANCE WITH WRITTEN INSTRUCTIONS RECEIVED FROM SYMBOL TECHNOLOGIES INC.

ND.TRAN 31MAR98

FINISH: TEST ENG.

DO NOT SCALE DRAWING

UNIT	CONVERSION
MM	± .01
INCH	± .005
FRACTIONS	± 1/64

NEXT ASSY USED ON