

Area A

1. MFD: Manufacture day, month, and year.

DDMMYY

- Year(年份): 2004=04,..
- Month(月份): 1月:JAN, 2月:FEB,3月:MAR,4月:APR,5月:MAY, 6月:JUN, 7月:JUL,8月:AUG,9月:SEP,10月:OCT,11月:NOV,12月:DEC,
- Day(日期):01~31

2. Serial Number:

YYDDDZZZSSSSS

- Serial number: from 00001 to 99999.
- The start at 00001 at the beginning of every day.
- Plant code:5201 for USI Nan-Kang Nan-Tou.
- Julian day of the year 001 to 365.
- Year (2004 would be 04)

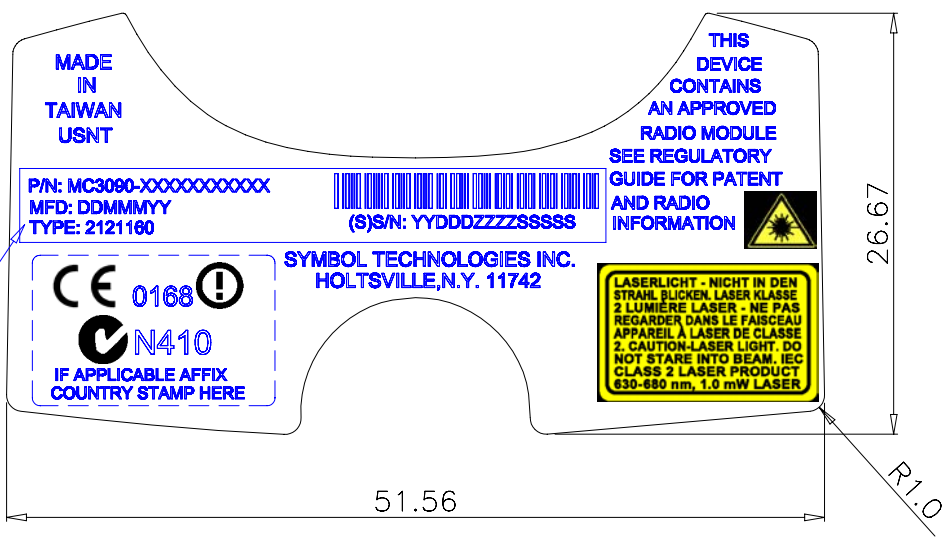
Bar code data:SYDDDDZZZSSSSS

3. P/N:MC3090-XXXXXXXXXXXXX:Please see the customer p/n by PDM.

Note:

- 1.Material(材質):POLY USI P/N:59-512471-00
- 2.Color(顏色):
 - (1)Rectangle and triangle to be yellow background with black characters, (方形及三角形之警告標註的背景顏色為黃色,圖塊&文字&線為黑色)
 - (2)Area A to be white background with black characters.(A區域背景顏色為白底黑字)
 - (3)All characters,(Except where noted) are to be gray on a black background as shown. (除了上面說明的範圍外,其他顏色為黑的灰字)
- 3.Thickness(厚度): 0.09 ± 0.01mm.
4. Bar code format(條碼規格): Code 128

			USI ® Universal Scientific Industrial Co.,Ltd.					
			TITLE:			SOURCE ORGANIZATION		
			LABEL MFG FOR MC3090 SIDE SHOOTER USI TAIWAN / ASD/ MD					
A9			MODEL NO	MC3090	DWG NO	2B-006370		
A8	Mod blank label(512471~512484)	09/14/04		DESIGNER	DATE	SCALE: 2/1	UNIT: mm	
A6	Add TYPE: 2121160	09/06/04		Sandra Yang	09/14/04	USI P/N	SHEET	REV
A4	Modify HOLTSVU.. to HOLTSVI..	09/02/04	Unless otherwise tolerance specified ± 0.5	APP BY	DATE	59-454540-00	1	A6
A3	Modify MC3000 to MCXXX	08/24/04		Jean Yie	09/14/04			
A2	Modify MFG to MFD	07/28/04						
NO	DESCRIPTION	DATE						



1. MFD: Manufacture day, month, and year.

DDMMYY

Year(年份): 2004=04,..
 Month(月份): 1月:JAN, 2月:FEB,3月:MAR,4月:APR,5月:MAY,
 6月:JUN, 7月:JUL,8月:AUG,9月:SEP,10月:OCT,11月:NOV,12月:DEC,
 Day(日期):01~31

2. Serial Number:

YYDDZZZZSSSS

Serial number: from 00001 to 99999.
 The start at 00001 at the beginning of every day.
 Plant code:5201 for USI Nan-Kang Nan-Tou.
 Julian day of the year 001 to 365.
 Year (2004 would be 04)

Bar code data:SYDDDDZZZZSSSSS


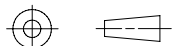
3.P/N:MC3090-XXXXXXXXXXXXX:Please see the customer p/n by PDM.

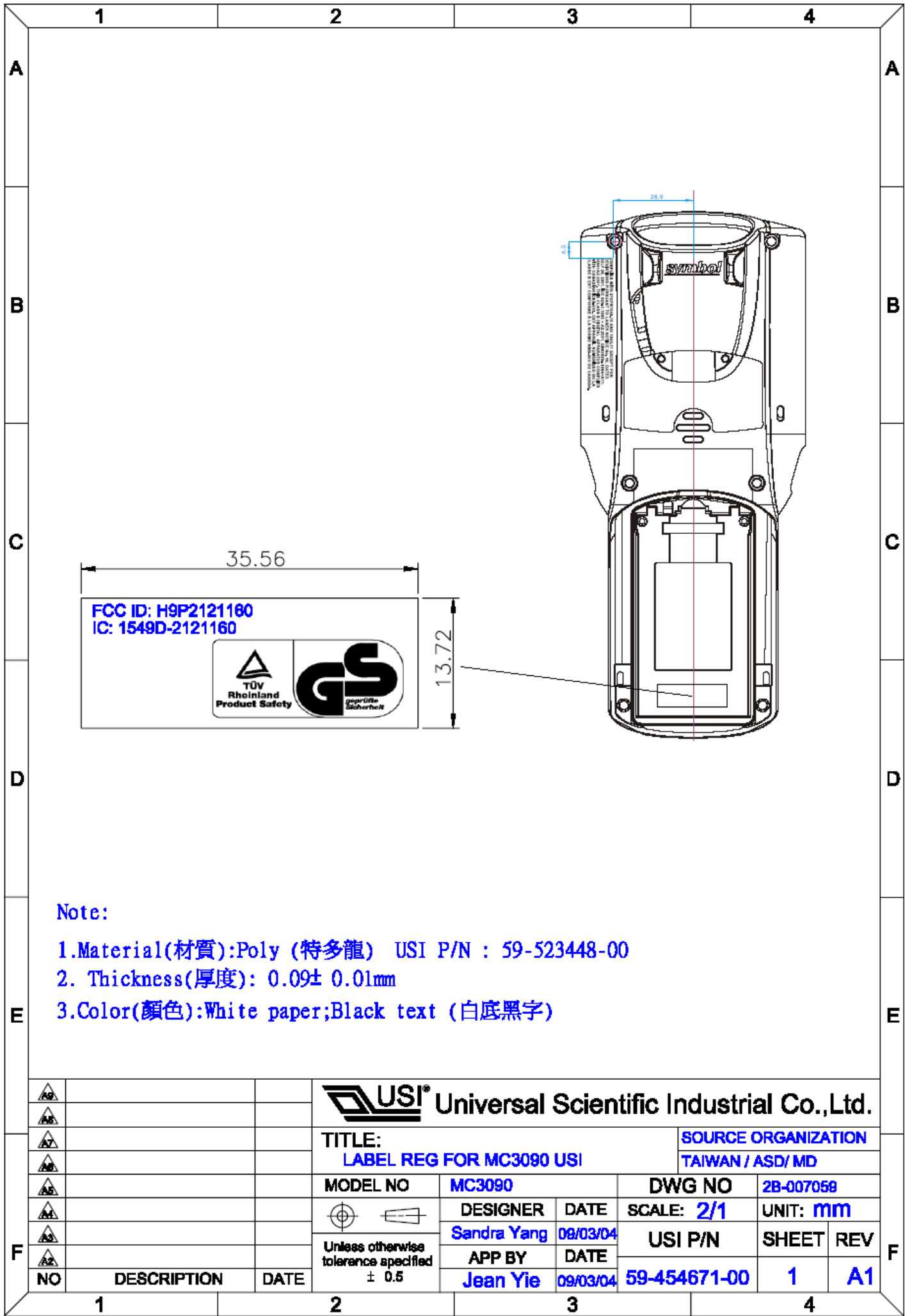
Note:

1. Material(材質):POLY USI P/N:59-512482-00
2. Color(顏色):
 - (1)Rectangle and triangle to be yellow background with black characters, (方形及三角形之警告標註的背景顏色為黃色,圖塊&文字&線為黑色)
 - (2)Area A to be white background with black characters.(A區塊背景顏色為白底黑字)
 - (3)All characters,(Except where noted) are to be gray on a black background as shown. (除了上面說明的範圍外,其他顏色為黑的灰字)

3.Thickness(厚度): 0.09 ± 0.01mm.


4. Bar code format(條碼規格): Code 128

			 USI® Universal Scientific Industrial Co.,Ltd.				
			TITLE:			SOURCE ORGANIZATION	
			LABEL MFG FOR MC3090 FRONT SHOOTER USI			TAIWAN / ASD/ MD	
A9			MODEL NO	MC3090	DWG NO	2B-006368	
A8	Mod blank label (512489→512482)	09/14/04	 Unless otherwise tolerance specified ± 0.5	DESIGNER	DATE	SCALE: 2/1	UNIT: mm
A7	Add Type:2121160	09/08/04		Sandra Yang	09/14/04	USI P/N	SHEET
A6	Modify MC3000 to MCXXXX	08/24/04	APP BY	DATE	59-454538-00	1	A5
A5	Modify MFG to MFD	07/28/04	Jean Yie	09/14/04			
A4	NO	DESCRIPTION	DATE				



Note:

- 1. Material(材質): Poly (特多龍) USI P/N : 59-523448-00
- 2. Thickness(厚度): 0.09± 0.01mm
- 3. Color(顏色): White paper; Black text (白底黑字)

		 USI® Universal Scientific Industrial Co., Ltd.	
		TITLE: LABEL REG FOR MC3090 USI	
		SOURCE ORGANIZATION TAIWAN / ASD/ MD	
		MODEL NO	MC3090
		DWG NO	2B-007059
		DESIGNER	DATE
		Sandra Yang	09/03/04
		SCALE:	2/1
		UNIT:	mm
		APP BY	DATE
		Jean Yie	09/03/04
		USI P/N	SHEET
		59-454671-00	1
		REV	A1
NO	DESCRIPTION	DATE	
1			
2			
3			
4			