

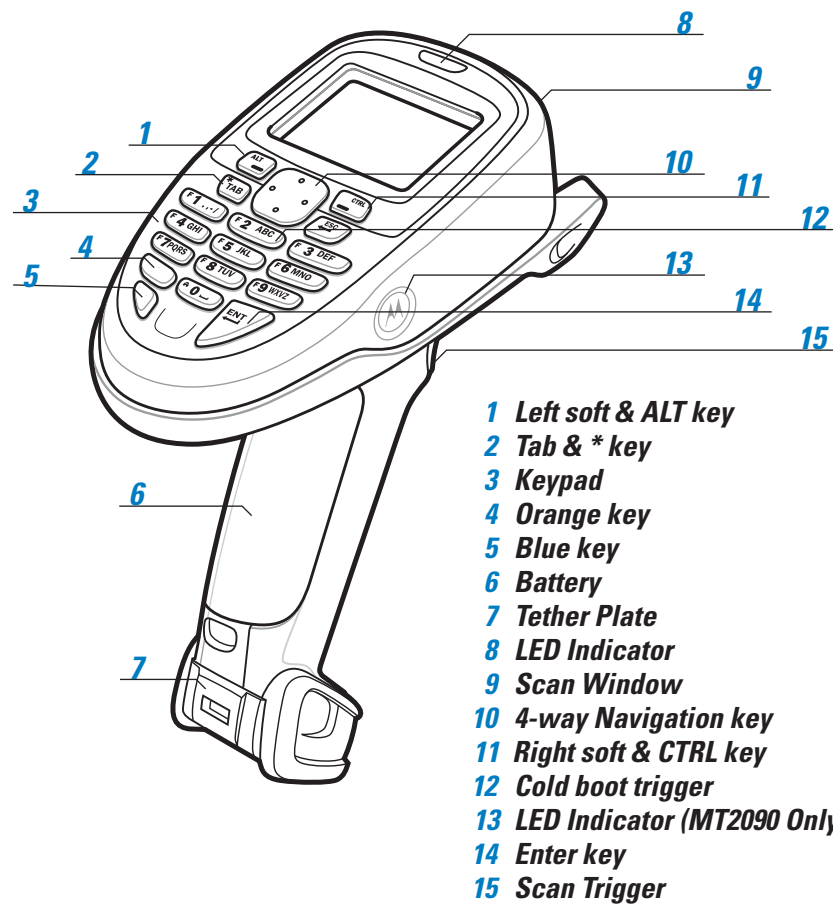
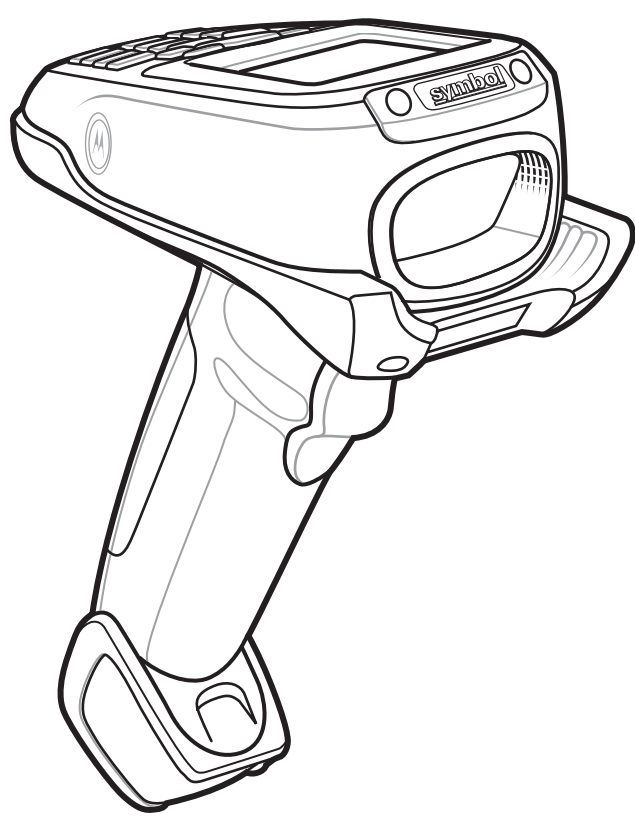


SYMBOL MT2000 Series

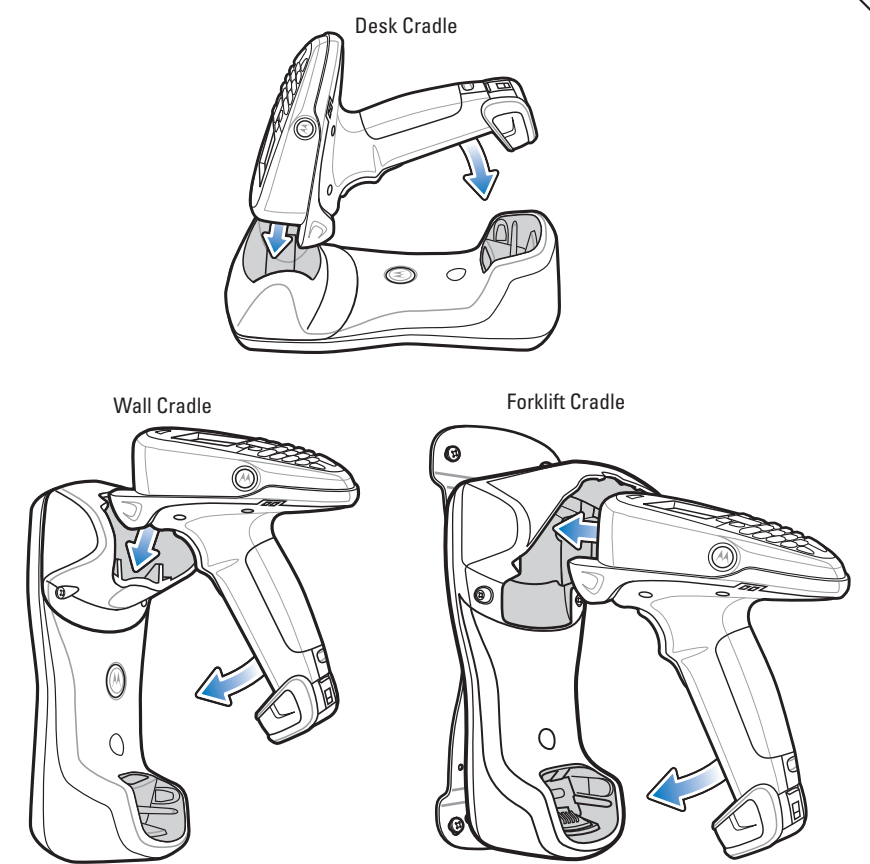
Quick Start Guide

<http://www.motorola.com/mt2070> Refer to User Guide for more information
<http://www.motorola.com/mt2090>

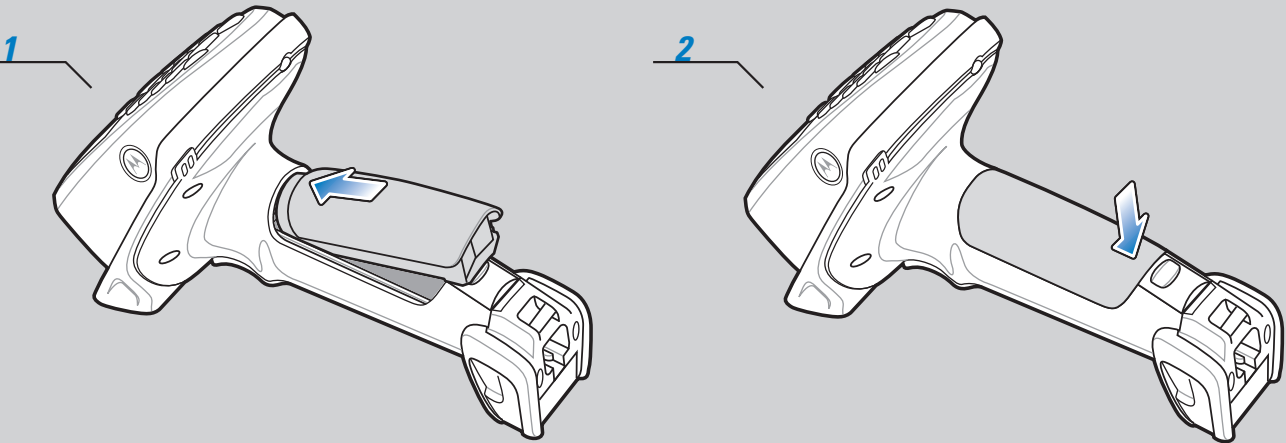
POST IN WORK AREA



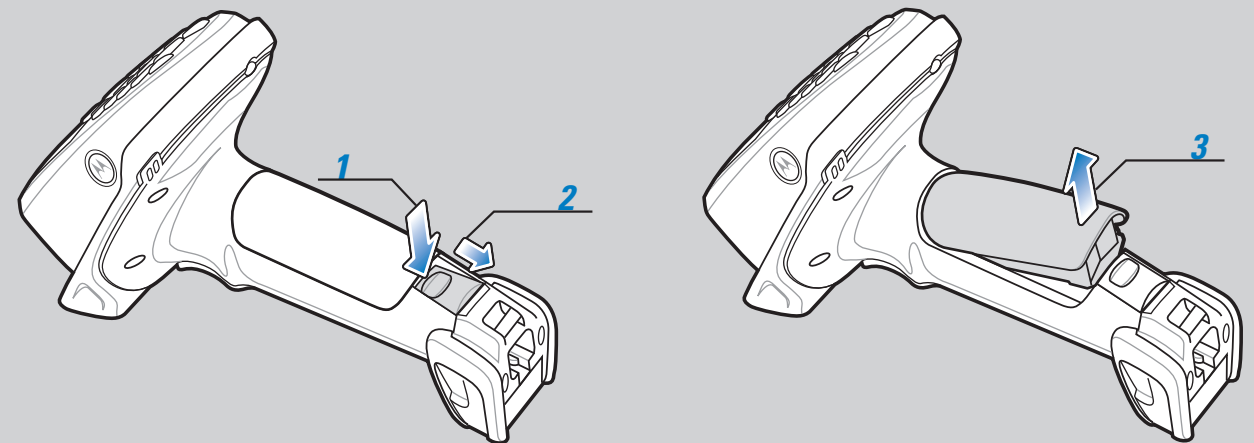
Insert Scanner in Cradle



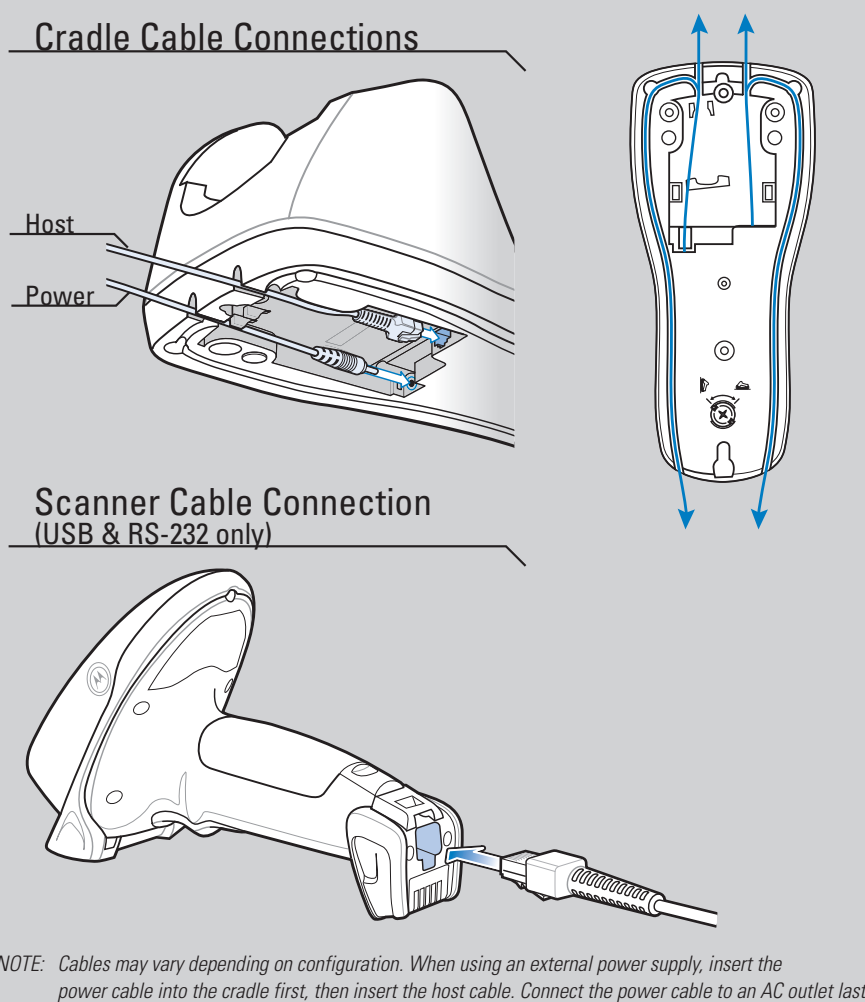
BATTERY INSERTION



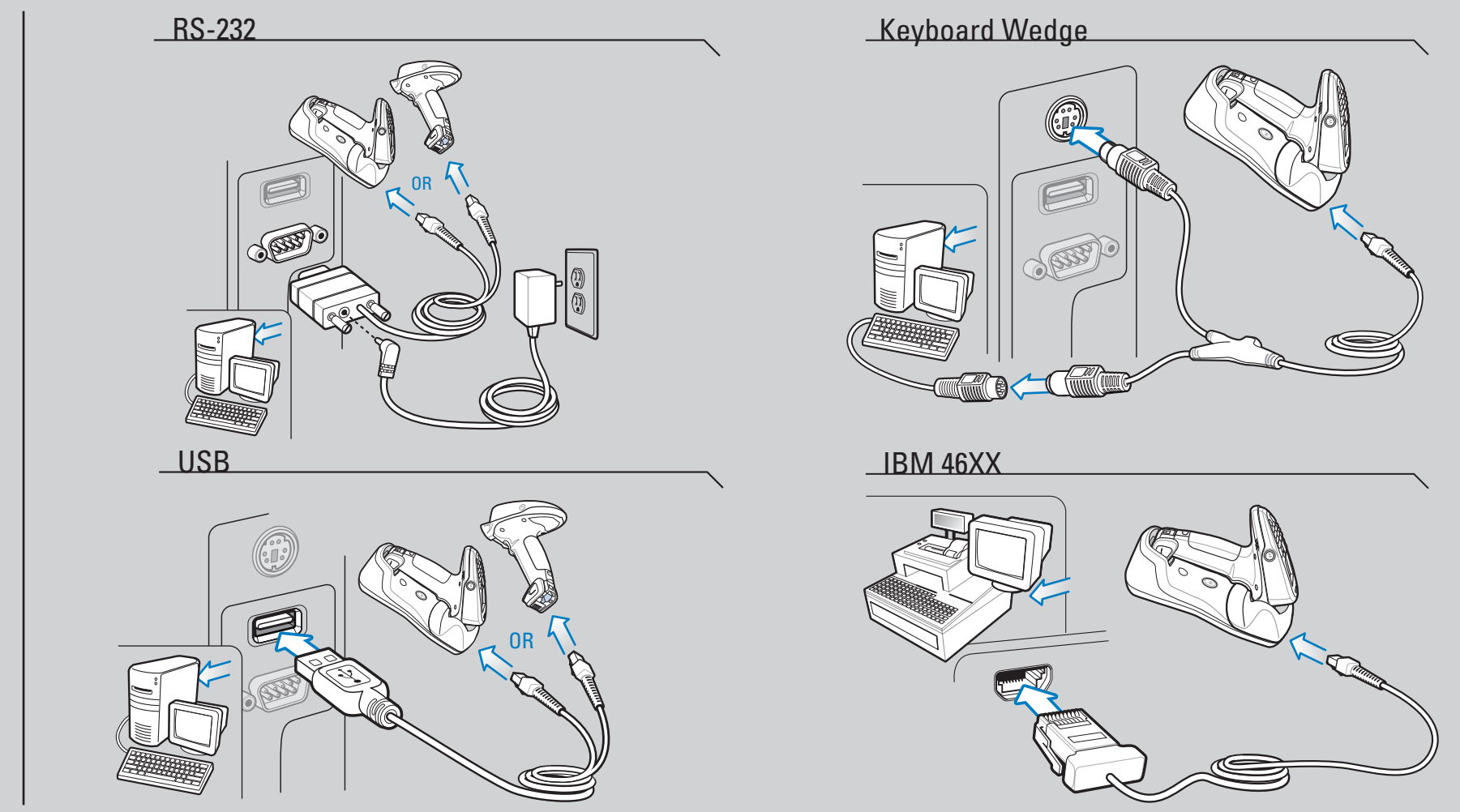
BATTERY REMOVAL



CONNECTIONS



HOST INTERFACES



TROUBLESHOOTING

Refer to the Symbol MT2000 Series User Guide Troubleshooting section for further information.

Scanner not working

- No power to scanner
Check battery
- NOTE: Under certain circumstances, a fully discharged battery can take up to 30 minutes to charge before the scanner is operational. Refer to the User Guide for detailed information.

Scanner not decoding bar code

- Scanner not programmed for bar code type
Ensure scanner is programmed to read type of bar code being scanned
- Bar code unreadable
Ensure bar code is not defaced; try scanning test bar code of same bar code type
- Scanning application is not running
From the Home screen display on the scanner, select Scan Item to run the scanning application

Scanner decoding bar code, but data not transmitting to host

- Scanner not paired to host-connected cradle
Pair the scanner to the cradle (using the PAIR bar code on the cradle)
- Cradle not programmed for correct host interface
Check scanner host parameters or edit options
- Interface cable is loose
Check for loose cable connections

Scanned data incorrectly displayed on host

- Paired cradle host communication parameters do not match the host's parameters
Check cradle host parameters or edit options

NOTE: If data is still not transmitting to host, it may be necessary to recycle power on the cradle.

SYMBOL MT2000 SERIES PROGRAMMING BAR CODES

Host Types

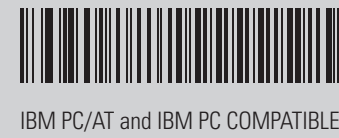
RS-232 Host Types



USB Host Types



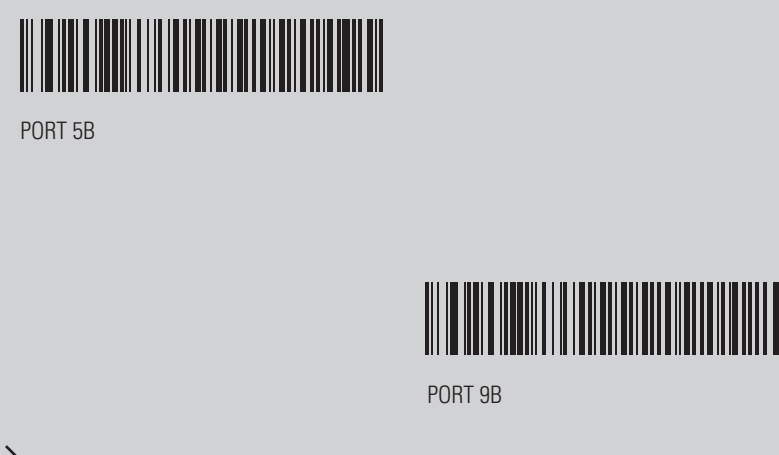
Keyboard Wedge Host Types



Radio Communications Host Types



IBM 46XX Host Types



Host Mode



Miscellaneous

