

紙類印刷品	公差(mm)
長/寬	±1

Front

180mm

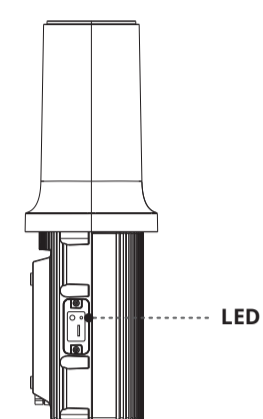


Outdoor WiFi6 AP

EAO2522P-2-FCC

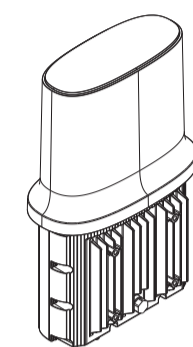
Quick Installation Guide

LED behaviors

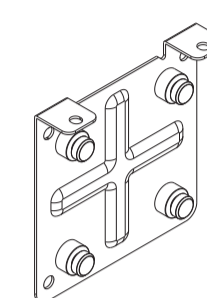


COLOR	STATUS	DESCRIPTION
AMBER	Blinking	Device is being powered on
AMBER ↓ RED	Blinking	Device is in firmware upgrade process
GREEN	Solid on	Device is in service
AMBER	Solid on	Device is out of service
RED	Solid on	Device is abnormal with serious error
BLUE	Solid on	Device is in service but has problem on Ethernet

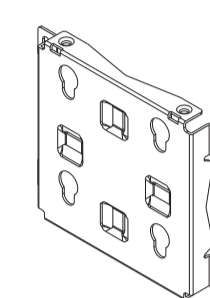
In the box



Access Point X 1



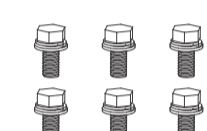
Wall mount bracket A



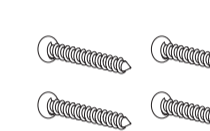
Wall mount bracket B



Wall Anchor set X 4



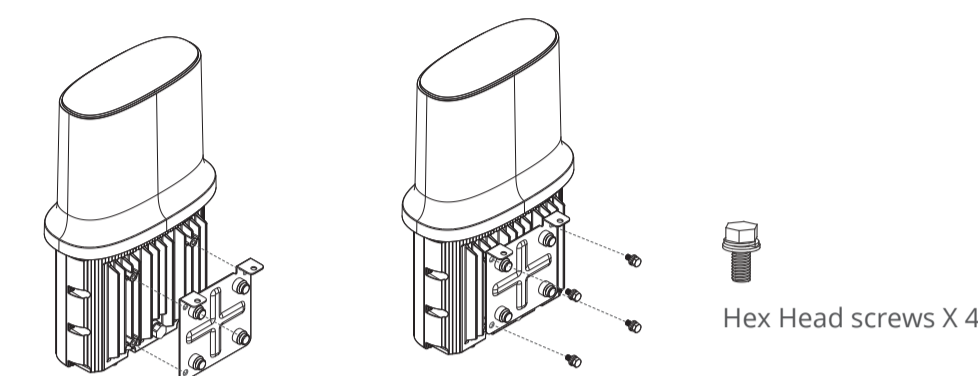
Hex Head screws X 6



Philips Head screws X 4

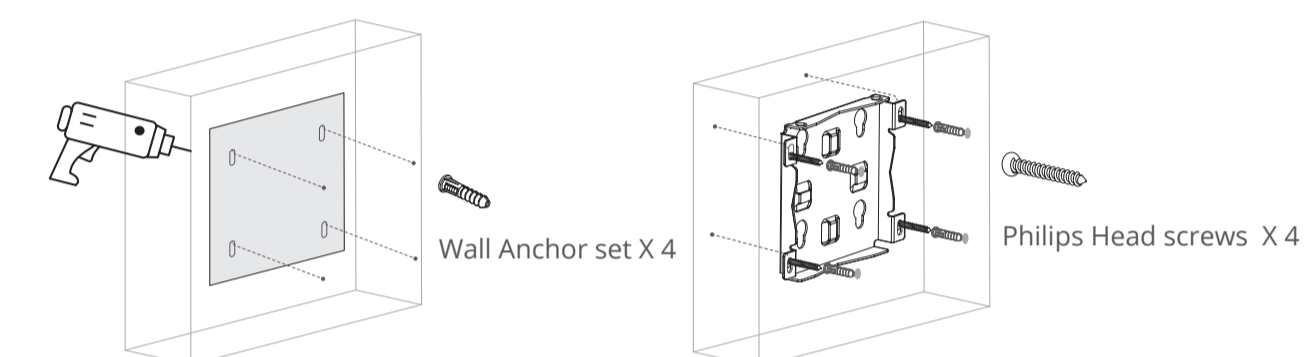
A. Wall mount bracket installation

1. Mount the AP to bracket-A with the the 4 screws with hex head.



Hex Head screws X 4

2. Drill holes on the drywall and insert the wall anchor, then use philips head screw to mount bracket B to wall.

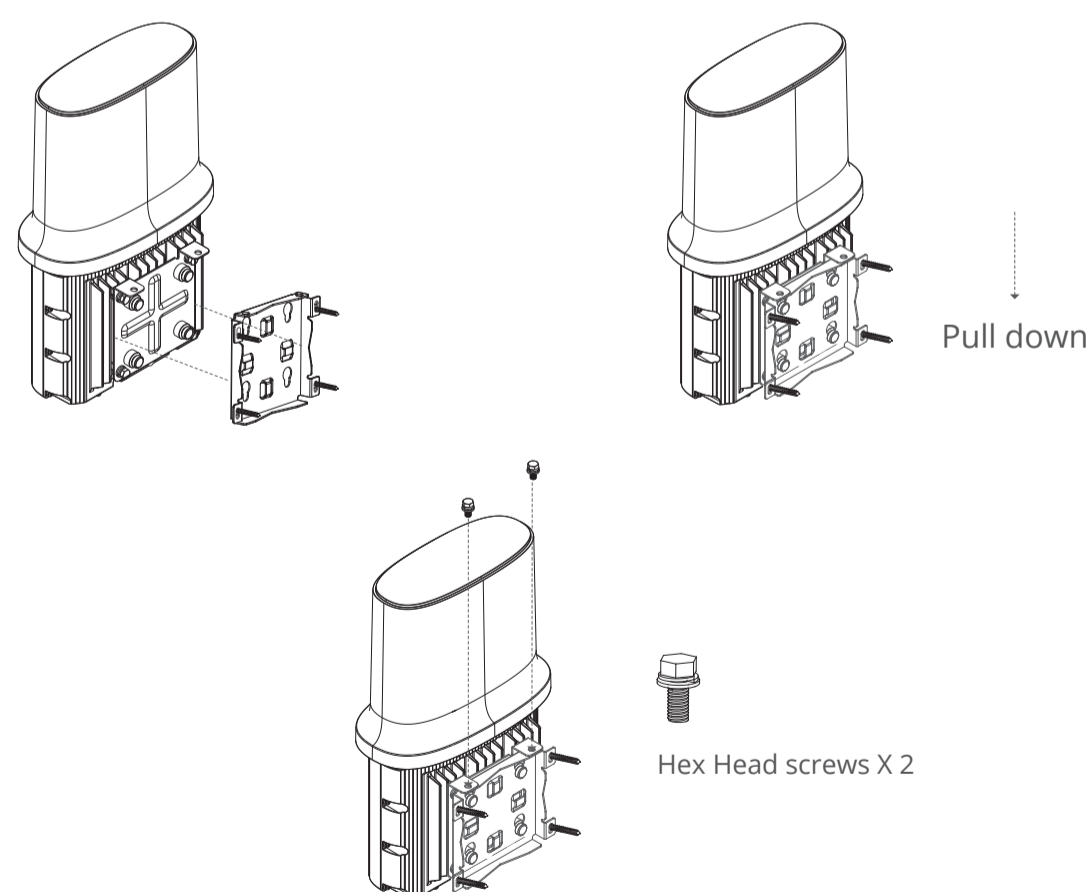


Wall Anchor set X 4

Philips Head screws X 4

Back

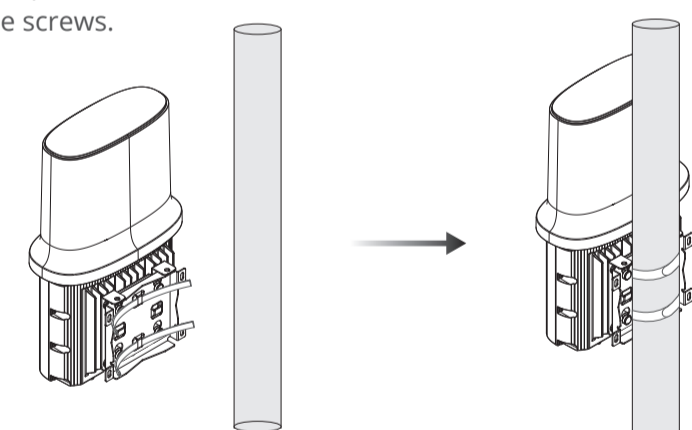
3. Lock bracket A and B together and use the hex head screw to fix both together.



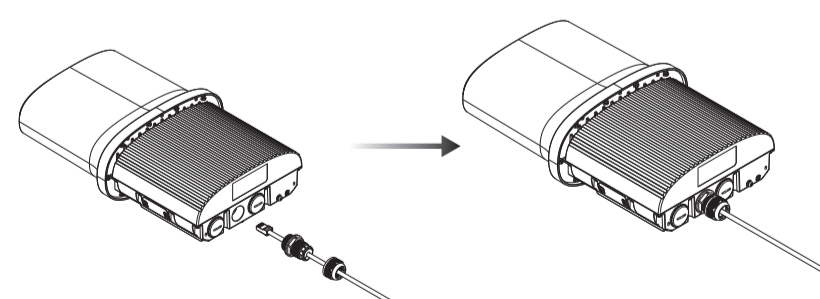
Hex Head screws X 2

B. Pole Mount Installation

1. Use metal hoop to tie bracket-A to pole.
2. Fasten the metal hoop and all the screws.



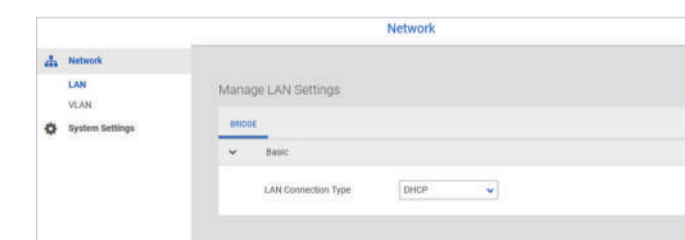
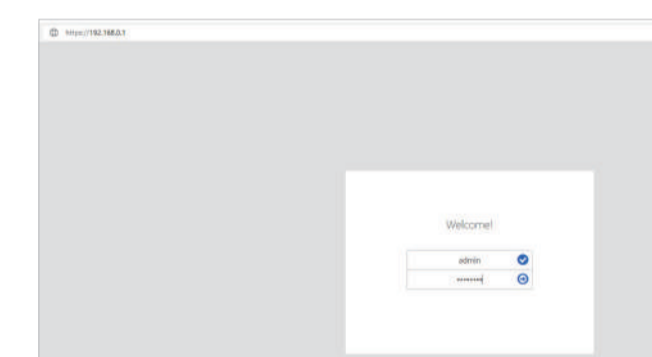
3. This outdoor AP has only one power Input through POE+. Please connect the POE+(802.3at) port to a POE+ switch or injector with ethernet cable, and for waterproof installation please refer to the below instruction.



Web UI Login

In order to login WebUI, please

- Manually modify the IP address of your own laptop to 192.168.0.2
- Connect the device and laptop via Ethernet
- Open <https://192.168.0.1/> in the browser, then use the admin/ password shown on the back of the device to login



Federal Communication Commission Interference Statement

This device complies with Part 15 of the FCC Rules. Operation is subject to the following two conditions:
(1) This device may not cause harmful interference, and (2) this device must accept any interference received, including interference that may cause undesired operation.

This equipment has been tested and found to comply with the limits for a Class B digital device, pursuant to Part 15 of the FCC Rules. These limits are designed to provide reasonable protection against harmful interference in a residential installation. This equipment generates, uses and can radiate radio frequency energy and, if not installed and used in accordance with the instructions, may cause harmful interference to radio communications. However, there is no guarantee that interference will not occur in a particular installation. If this equipment does cause harmful interference to radio or television reception, which can be determined by turning the equipment off and on, the user is encouraged to try to correct the interference by one of the following measures:

- Reorient or relocate the receiving antenna.
- Increase the separation between the equipment and receiver.
- Connect the equipment into an outlet on a circuit different from that to which the receiver is connected.
- Consult the dealer or an experienced radio/TV technician for help.

FCC Caution: Any changes or modifications not expressly approved by the party responsible for compliance could void the user's authority to operate this equipment.

This transmitter must not be co-located or operating in conjunction with any other antenna or transmitter.

This device meets all the other requirements specified in Part 15E, Section 15.407 of the FCC Rules.

Radiation Exposure Statement:

This equipment complies with FCC radiation exposure limits set forth for an uncontrolled environment. This equipment should be installed and operated with minimum distance 20cm between the radiator & your body.

Note: The country code selection is for non-US model only and is not available to all US model. Per FCC regulation, all WiFi product marketed in US must fixed to US operation channels only.

150mm

150mm

720mm