
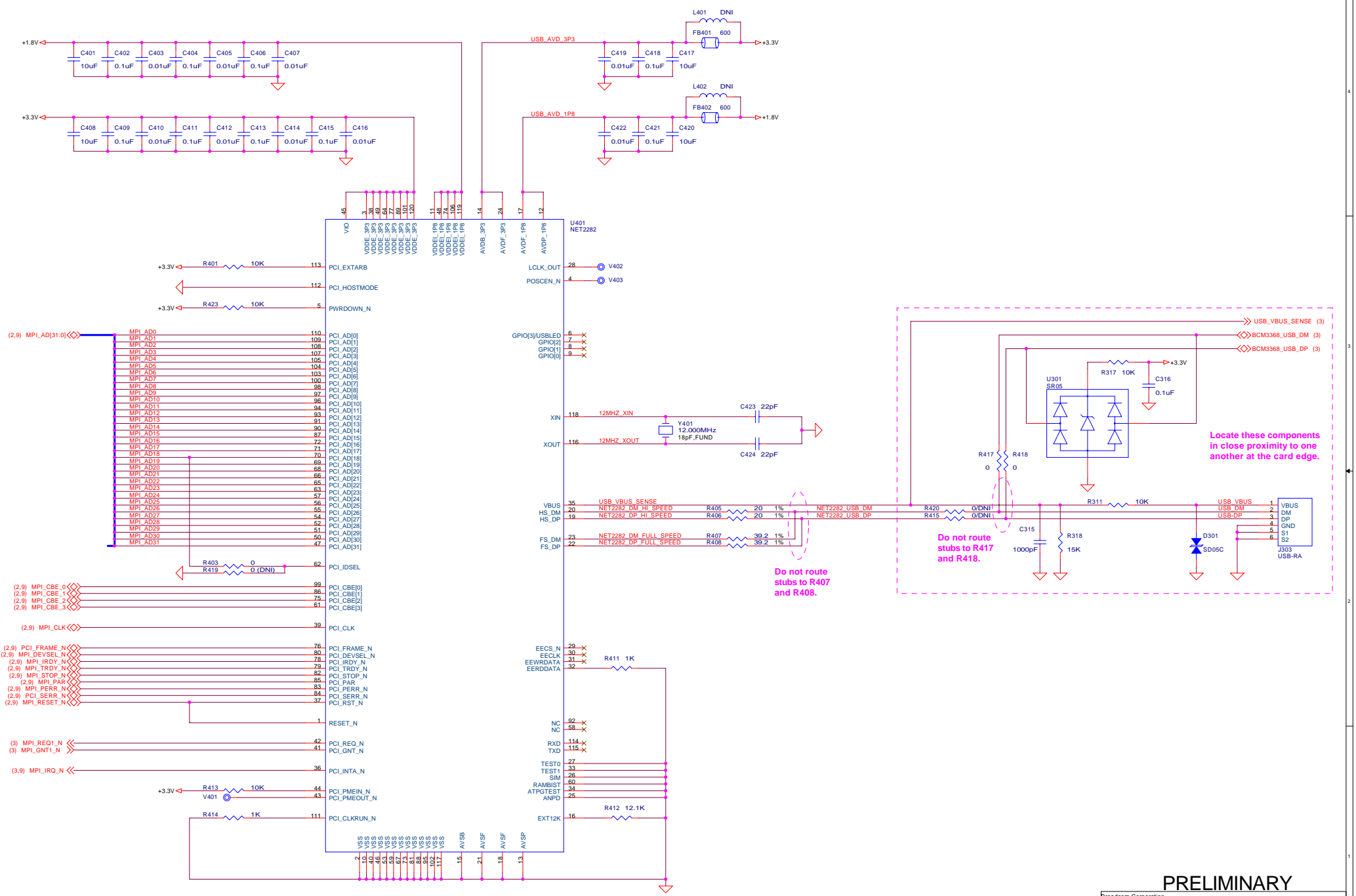


# PKE530VW-D49 - Wireless Voice Gateway Cable Modem Reference Design Block Diagram

	<b>ASKEY COMPUTER CORP.</b>		Eng.		
			PCB	RTA1025W	
Title	<b>Block_Diagram</b>				
Size	Document Number: <b>PKE530VW-D49(EU-ROHS)</b>			Rev	A
Date:	星期二, 五月 17, 2006	Sheet	a	of	10



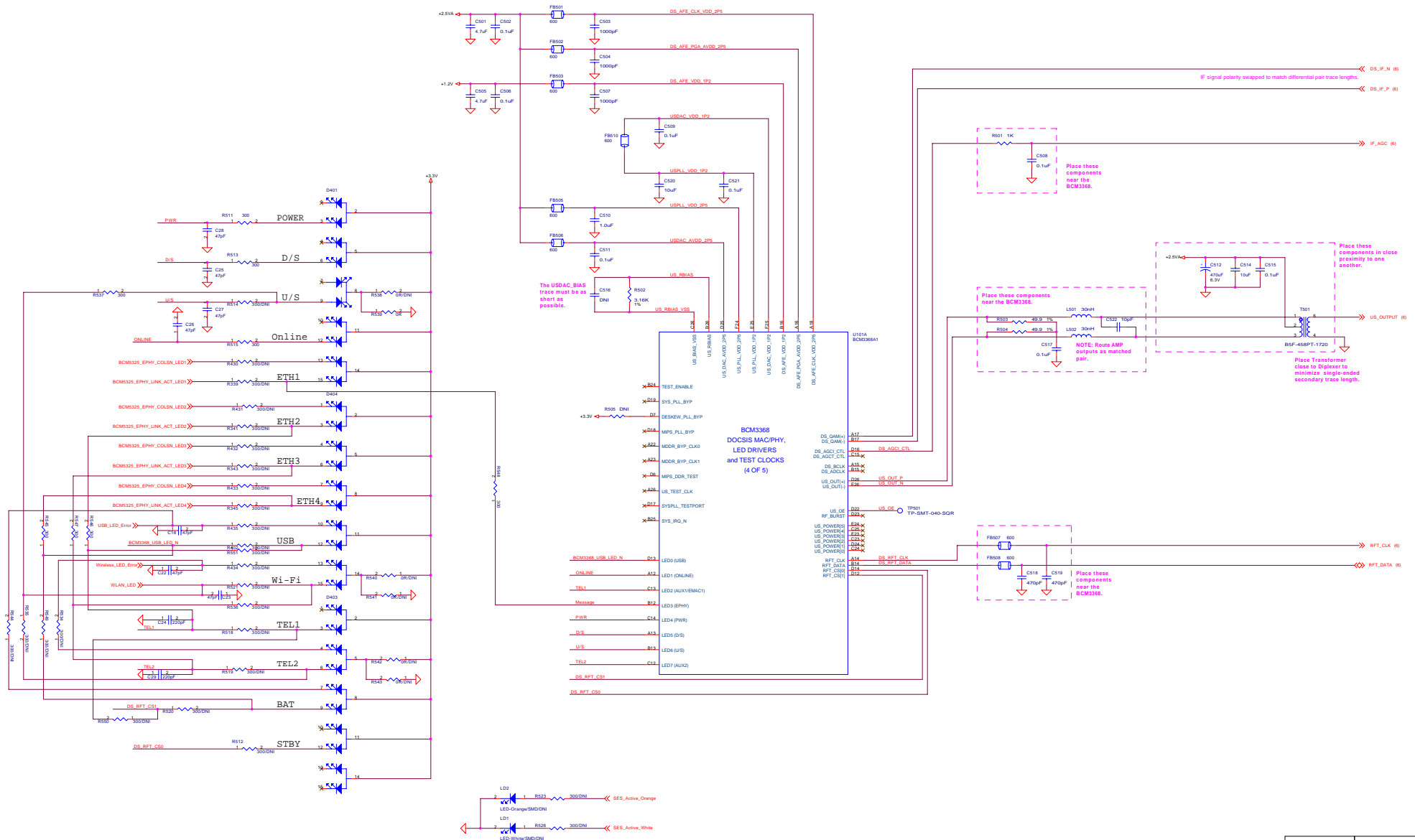
**PRELIMINARY**

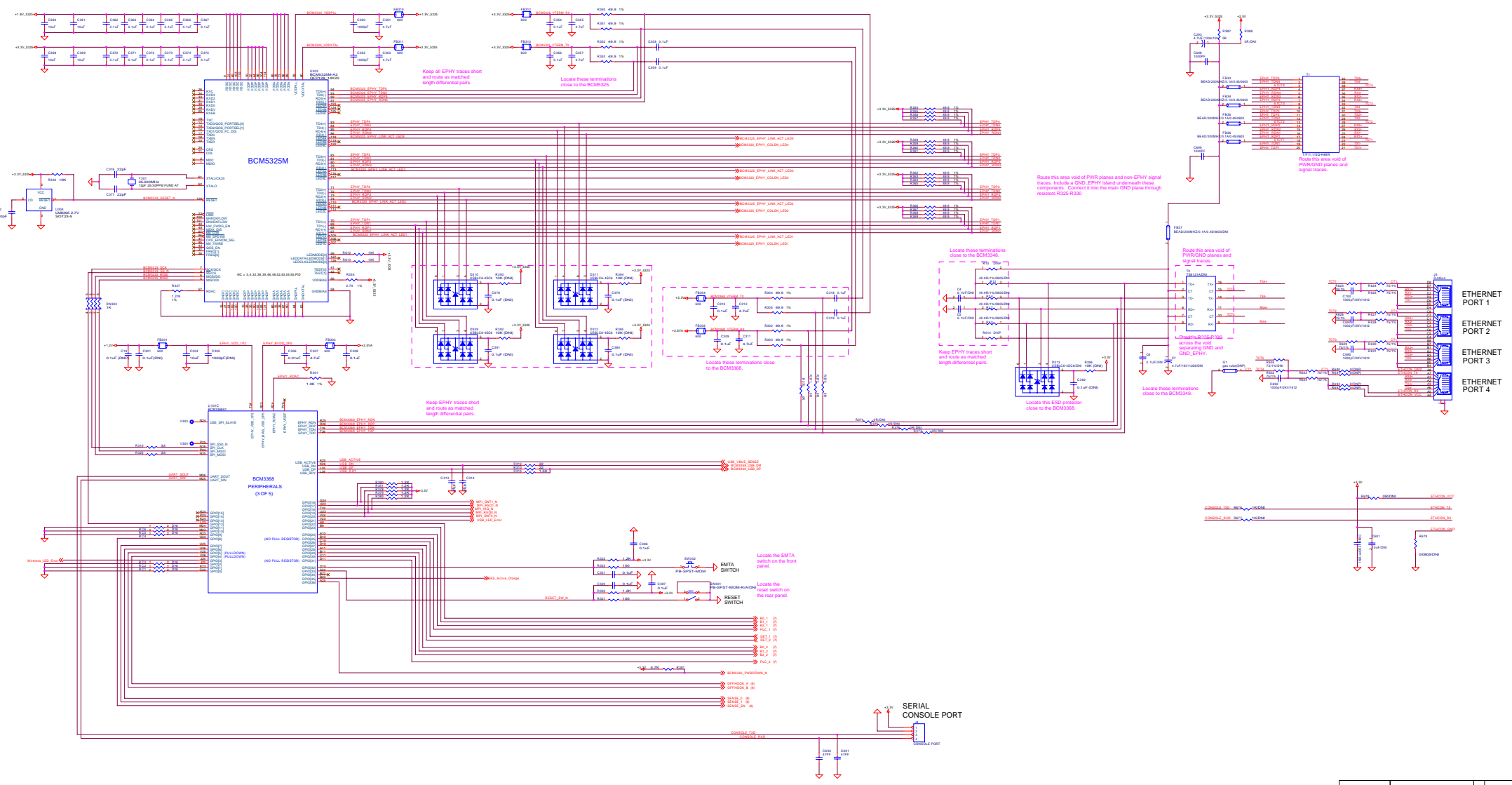
Broadcom Corporation  
 16215 Alton Parkway  
 P.O. Box 57013  
 Irvine, California 92619-7013

**BROADCOM**

Title: USB 2.0  
 Size C Document Number: BCM3368WVG (624-115030-0000) Rev P8  
 Date: 星期五, 五月 17, 2006 Sheet 4 of 9

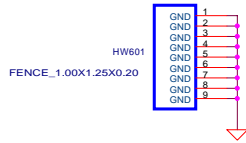
Broadcom Confidential  
 All Rights Reserved





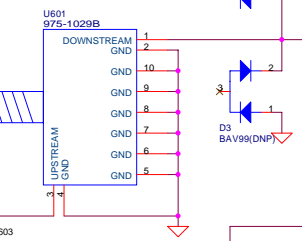


# THESE COMPONENTS ARE WITHIN THE HW601 SHIELD OUTLINE

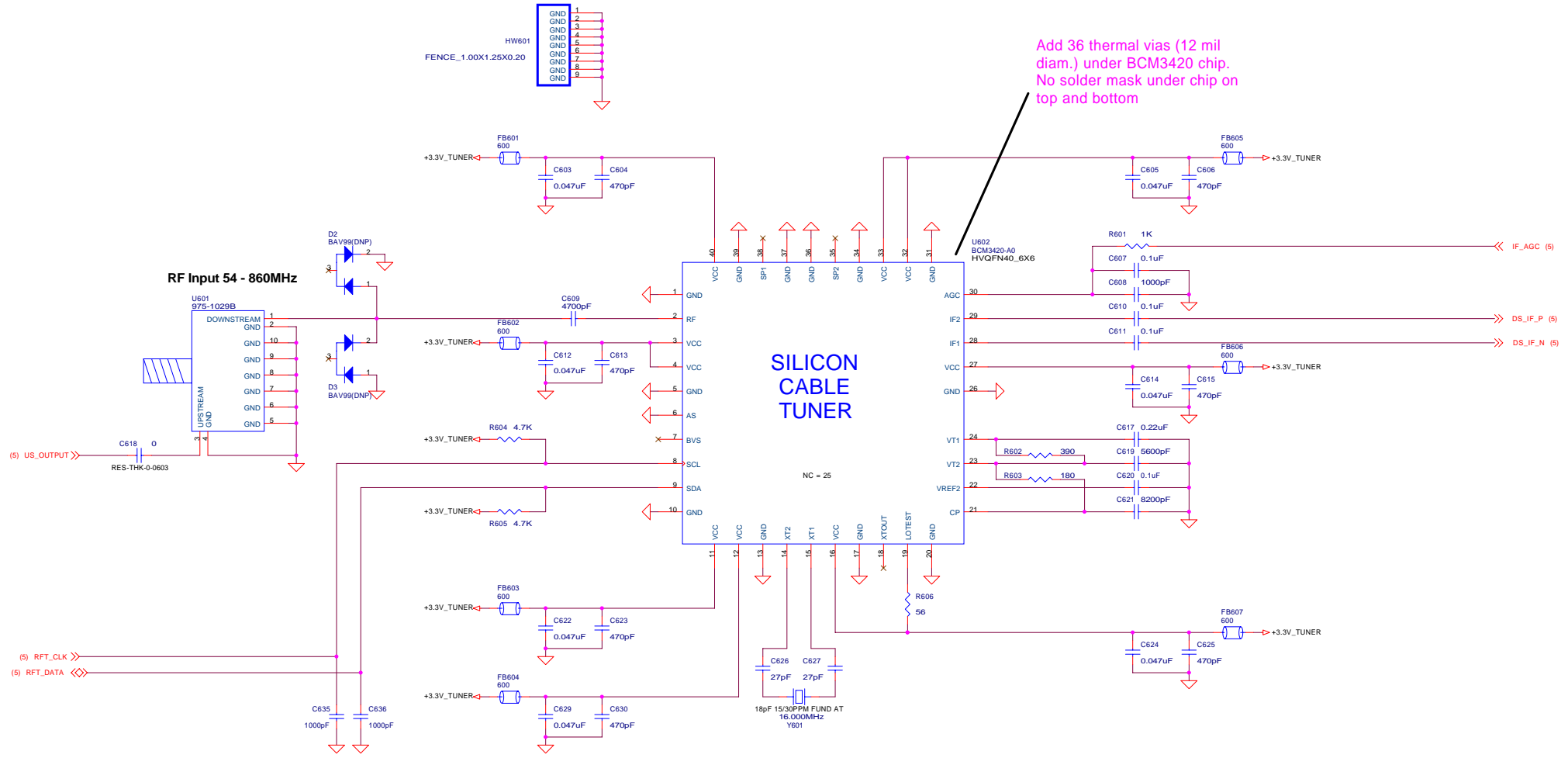
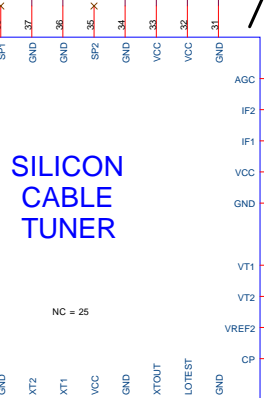


Add 36 thermal vias (12 mil diam.) under BCM3420 chip.  
No solder mask under chip on top and bottom

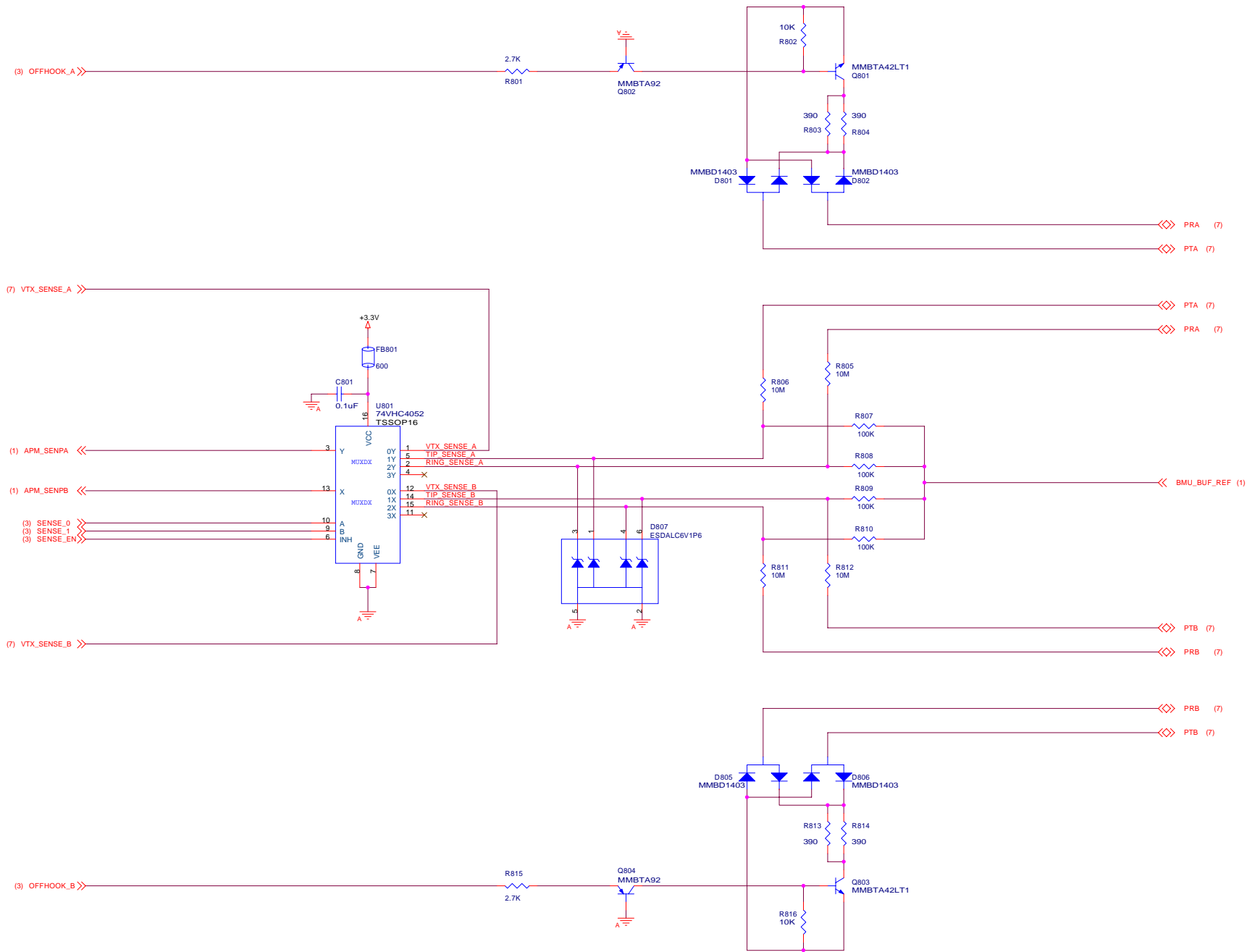
## RF Input 54 - 860MHz



## SILICON CABLE TUNER

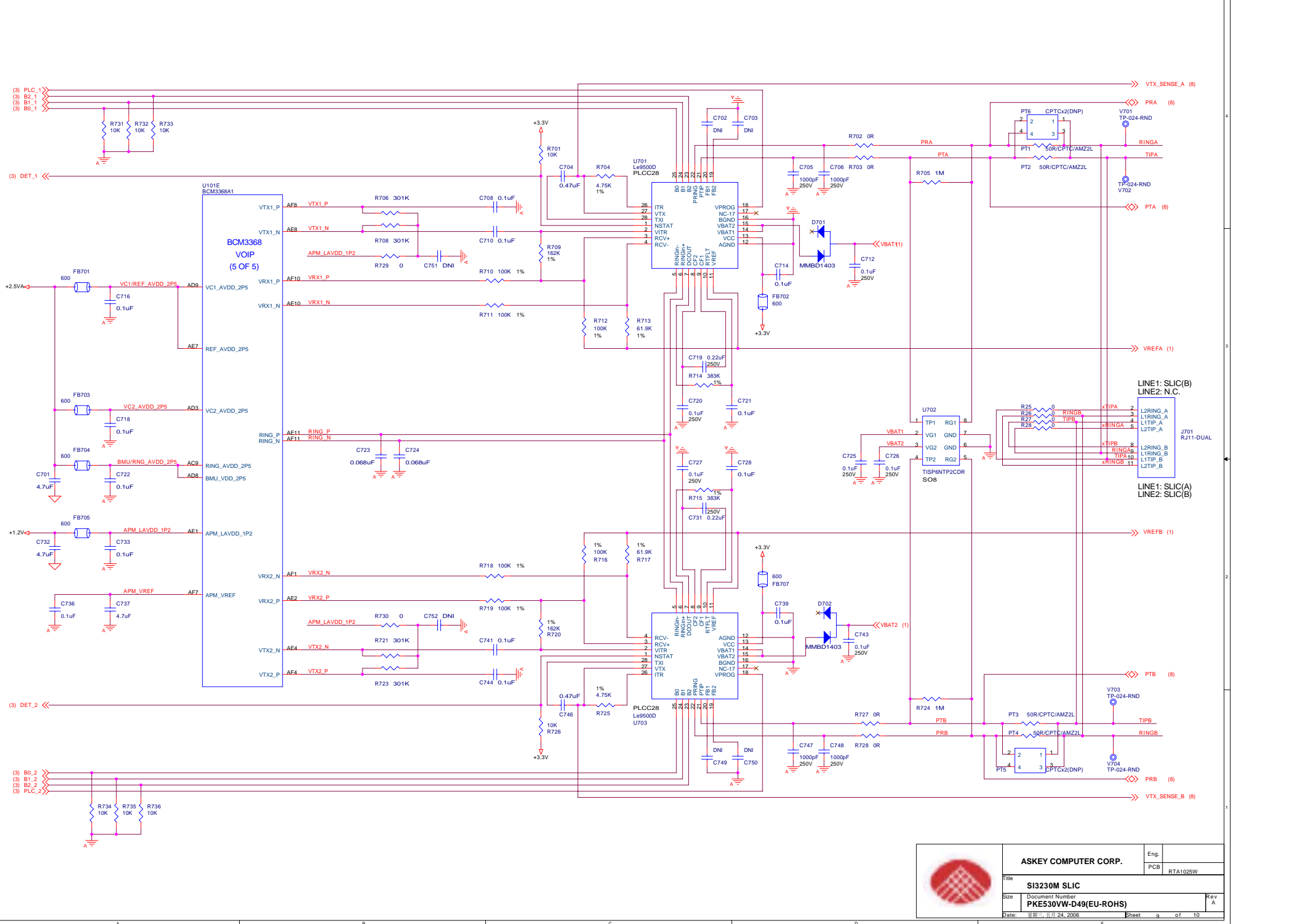






ASKEY COMPUTER CORP.		Eng.	
		PCB	RTA1025W
Title <b>S13230M SLIC</b>			
Size	Document Number	Rev	
	<b>PKE530VW-D49(EU-ROHS)</b>	A	
Date: 星期三, 五月 17, 2006		Sheet	g of 10

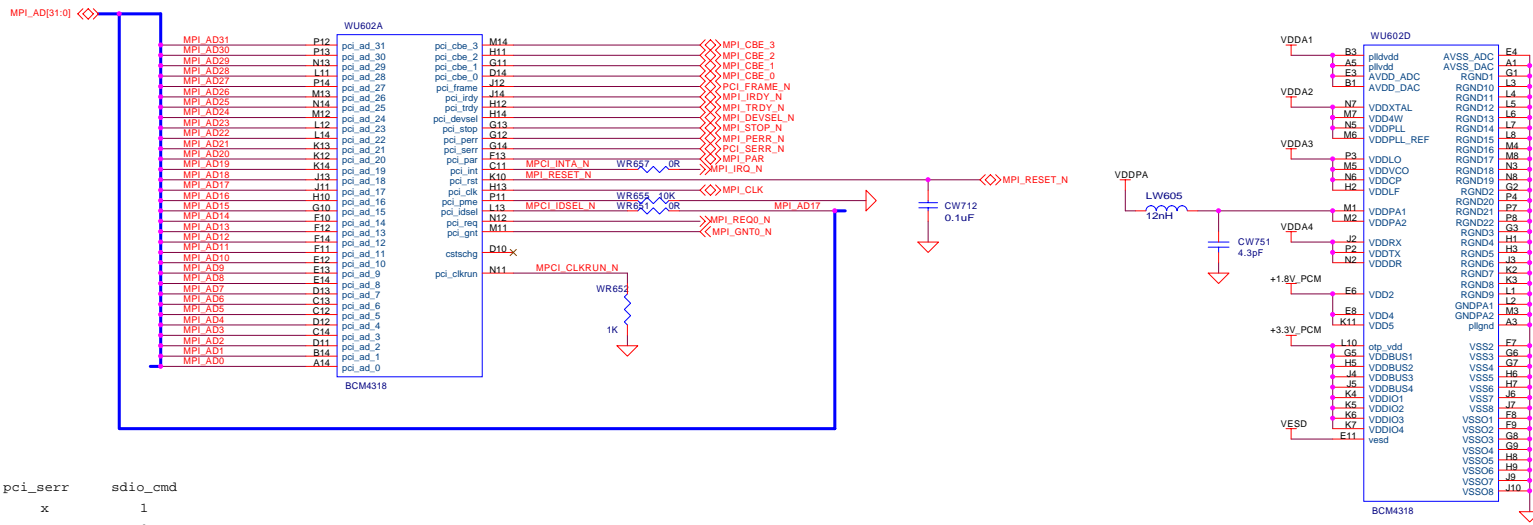




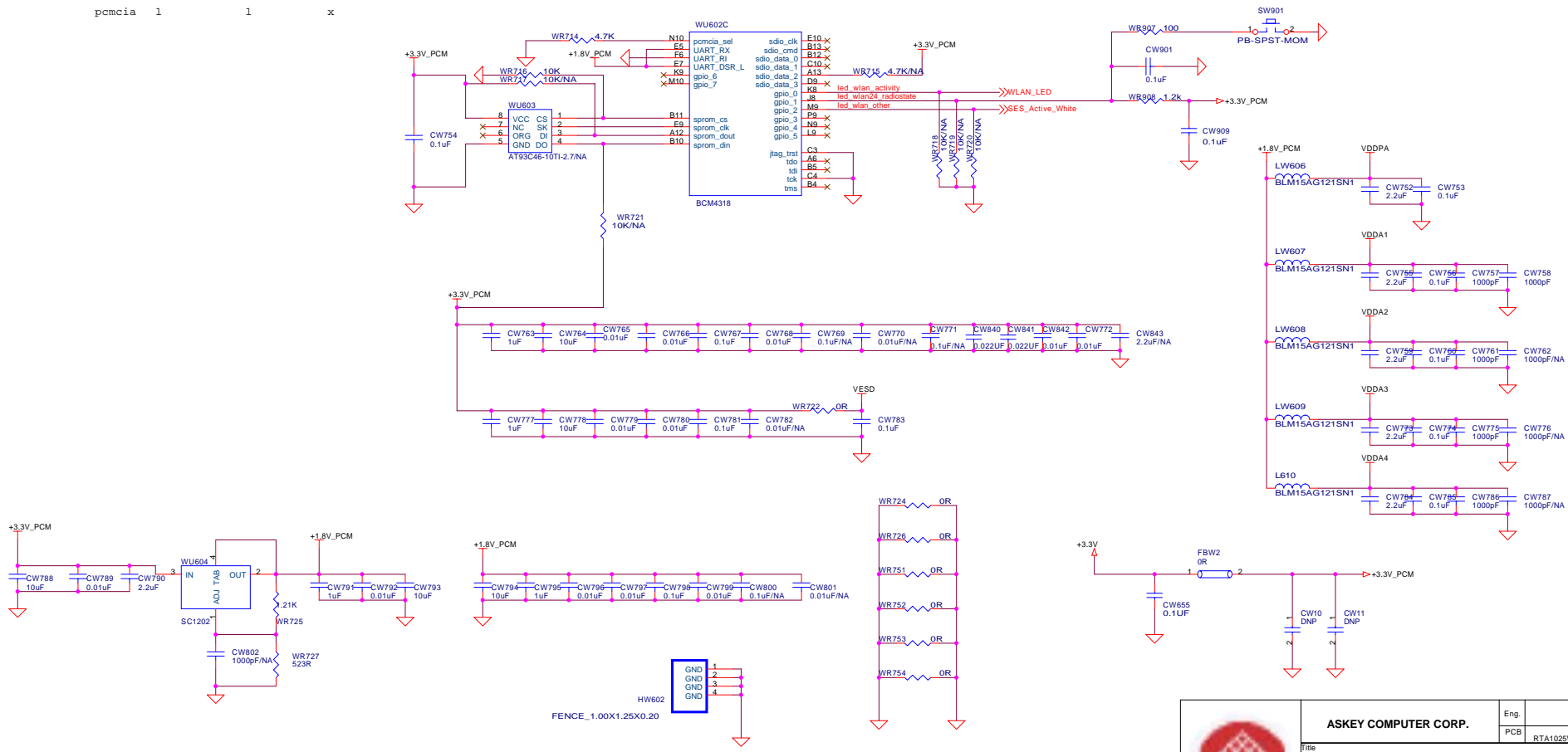
LINE1: SLIC(B)  
LINE2: N.C.

LINE1: SLIC(A)  
LINE2: SLIC(B)

		<b>ASKEY COMPUTER CORP.</b>		Eng.		
				PCB	RTA1025W	
Title	<b>SI3230M SLIC</b>					
Size	Document Number: <b>PKES30VW-D49(EU-ROHS)</b>				Rev	A
Date:	星期二, 五月 24, 2006	Sheet	a	of	10	



	pcmcia	pci_serr	sdio_cmd
pci	0	x	1
cb	0	x	0
sdio	1	0	x
pcmcia	1	1	x



	<b>ASKEY COMPUTER CORP.</b>		Eng.		
			PCB	RTA1025W	
Title: <b>BCM4318</b>					
Size:	Document Number: <b>PKES30VW-D49(EU-ROHS)</b>			Rev	A
Date:	日期: 五月 30, 2006		Sheet	a of 10	

