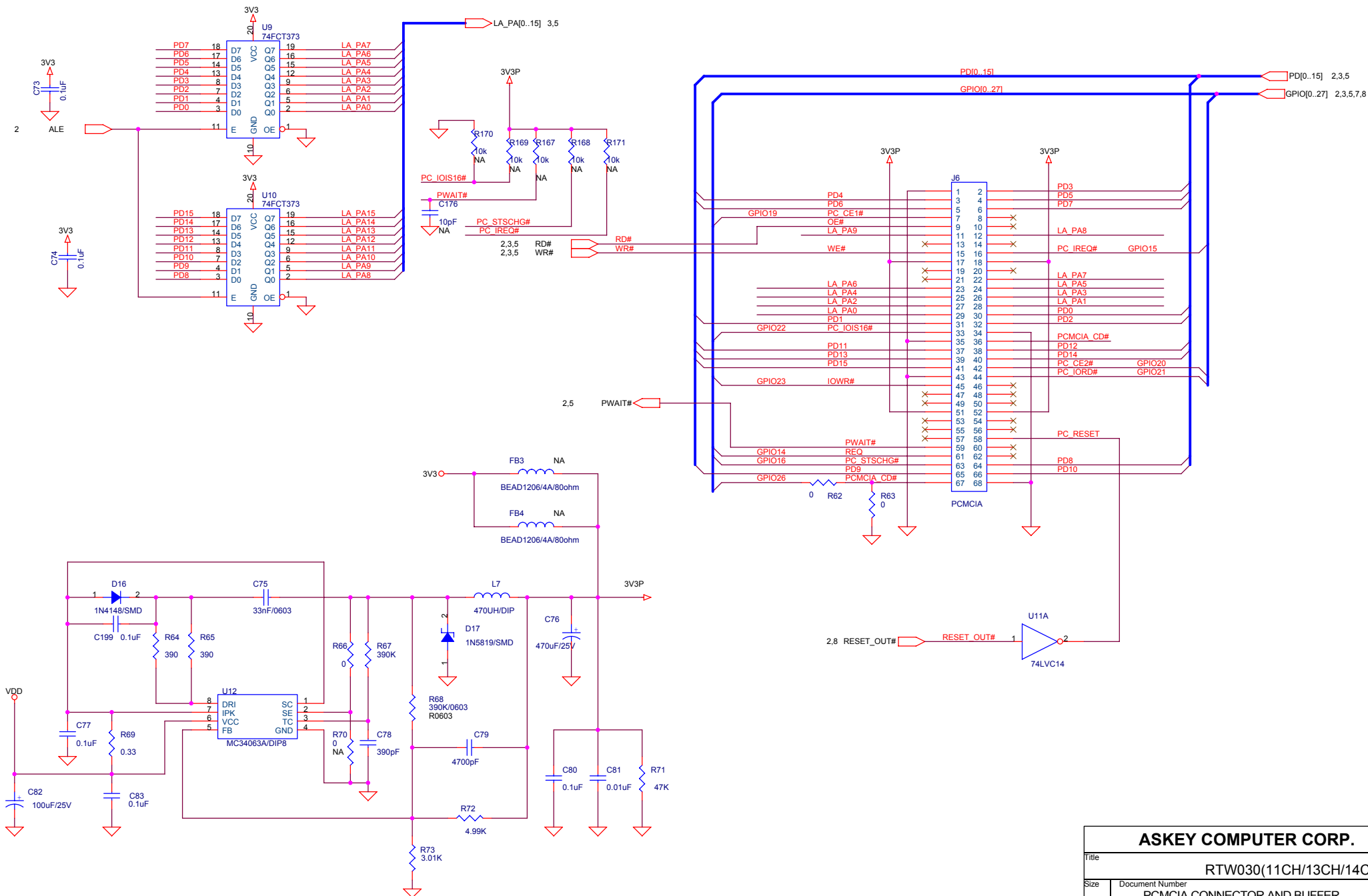
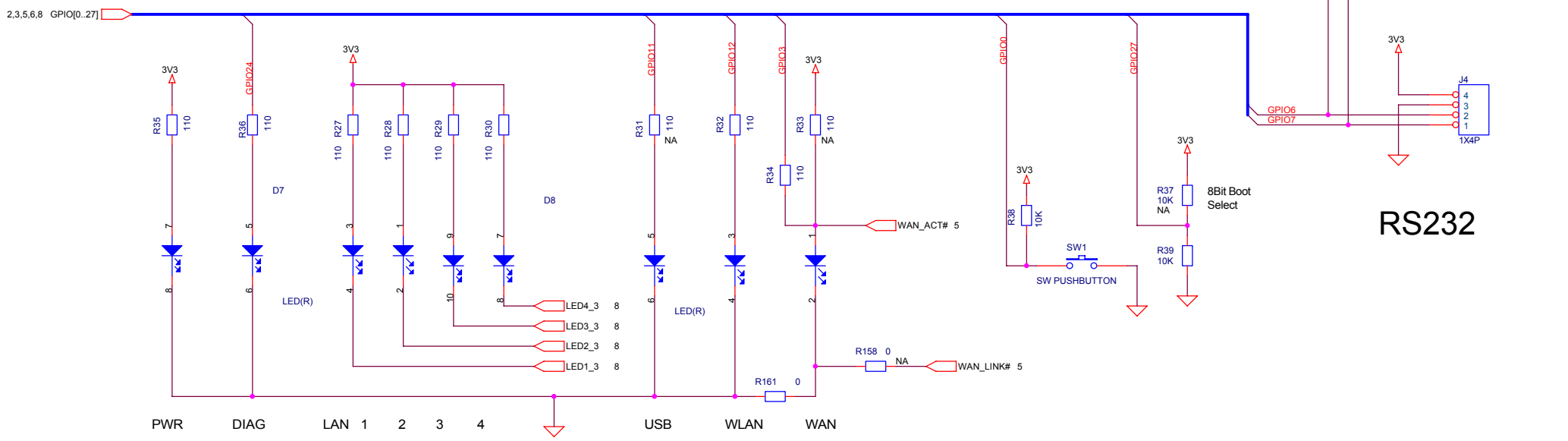
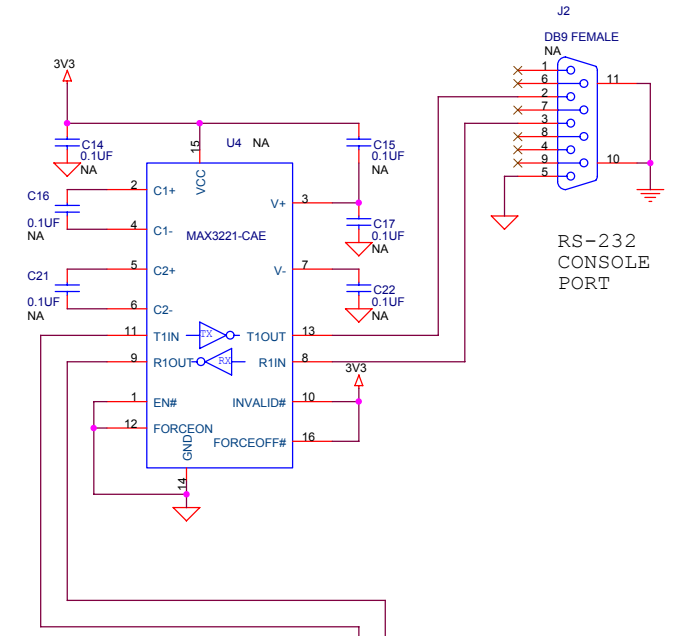
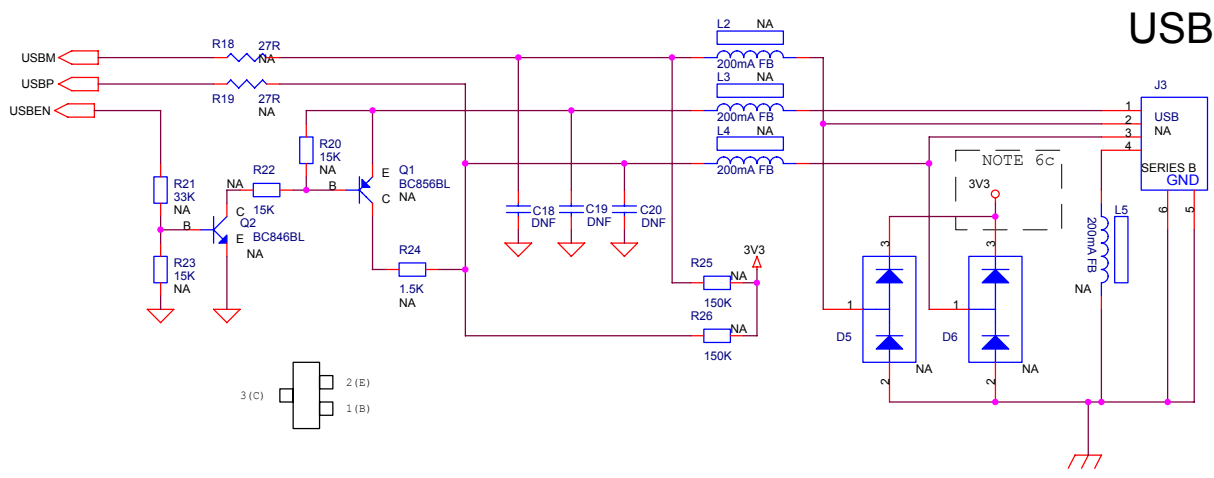
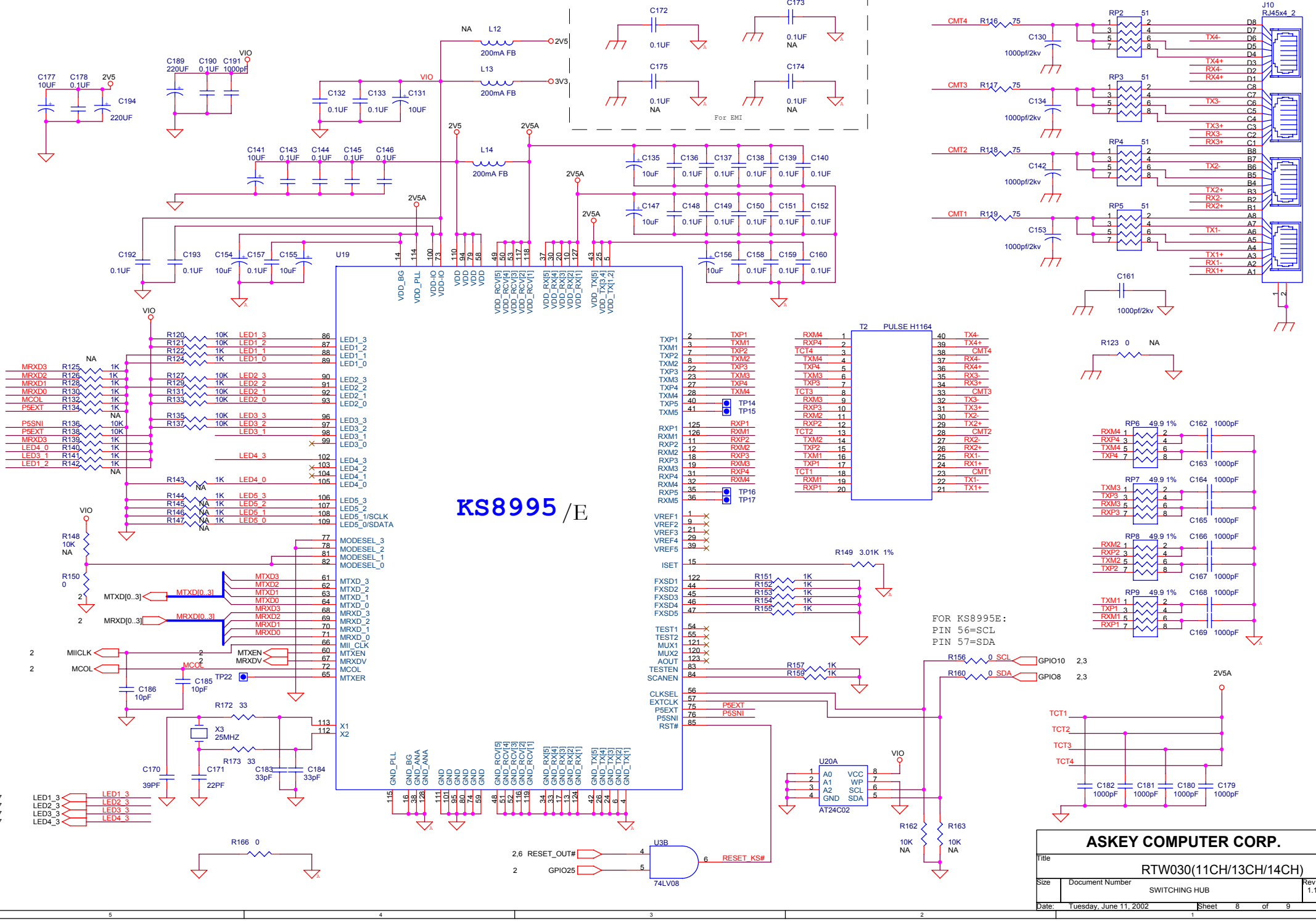


<b>ASKEY COMPUTER CORP.</b>		
Title RTW030(11CH/13CH/14CH)		
Size	Document Number RTL8019AS	Rev 1.1
Date	Tuesday, June 11, 2002	Sheet 5 of 9



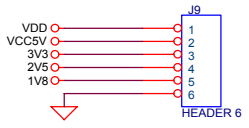
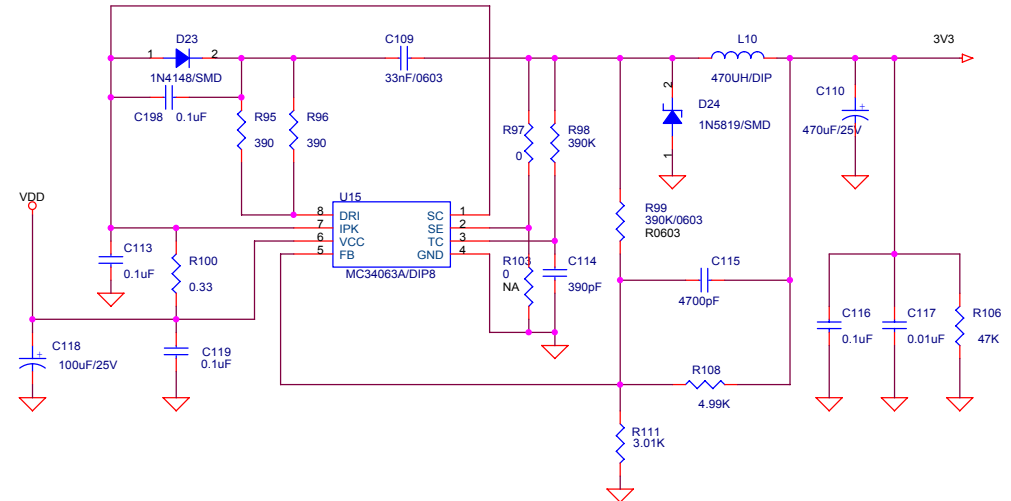
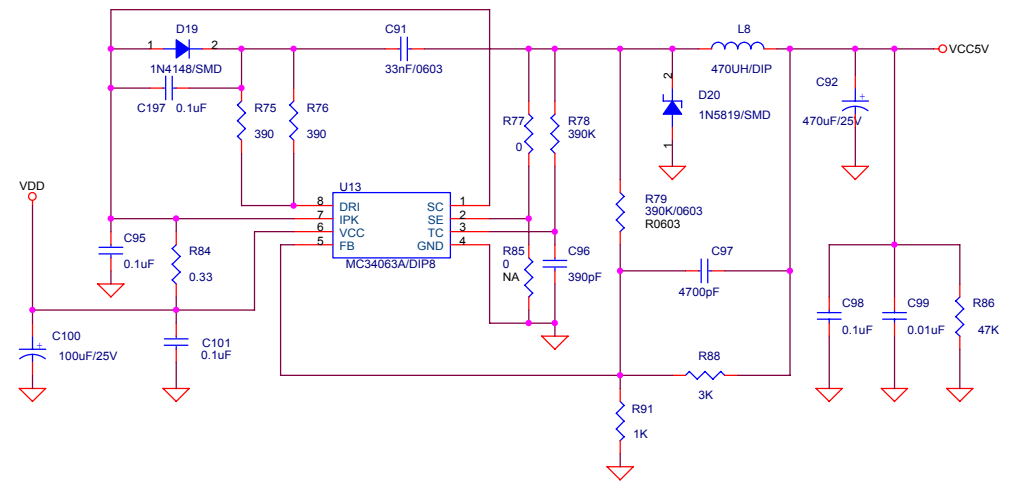
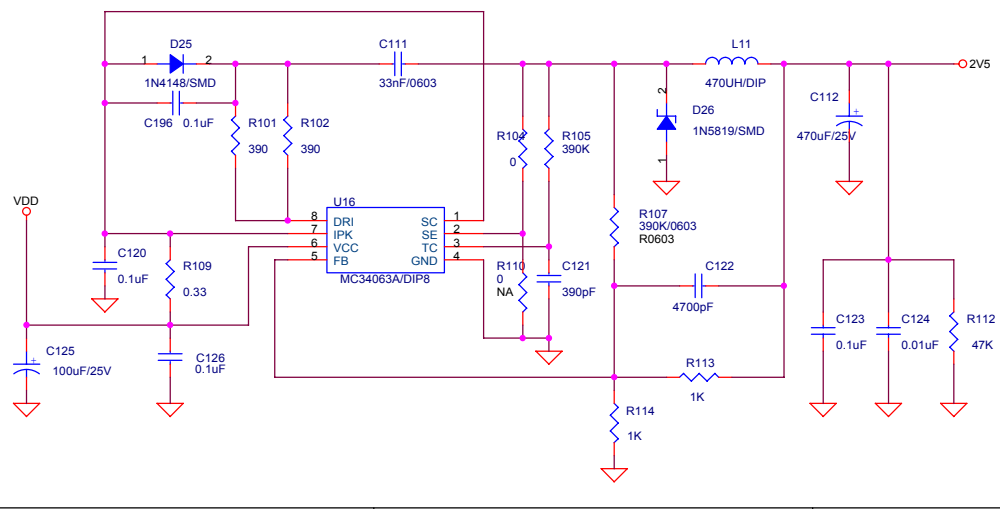
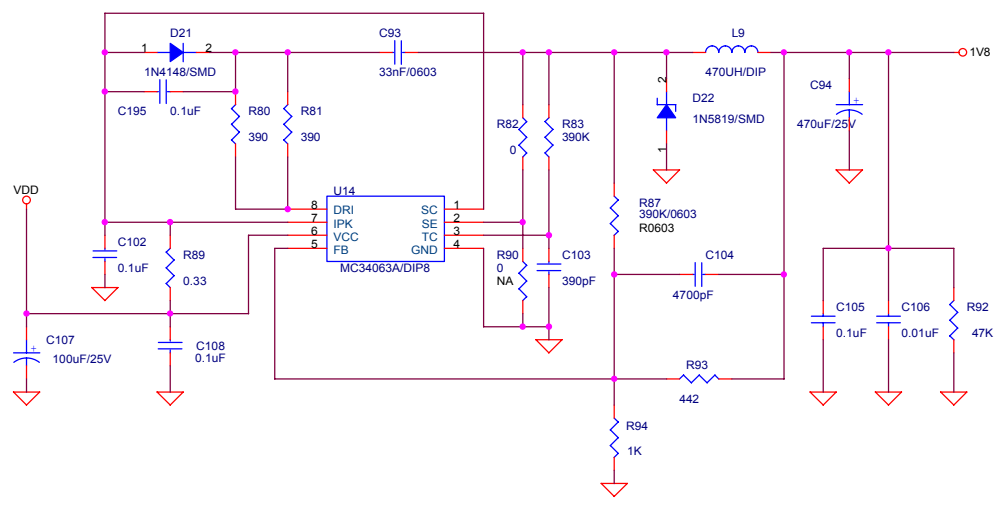
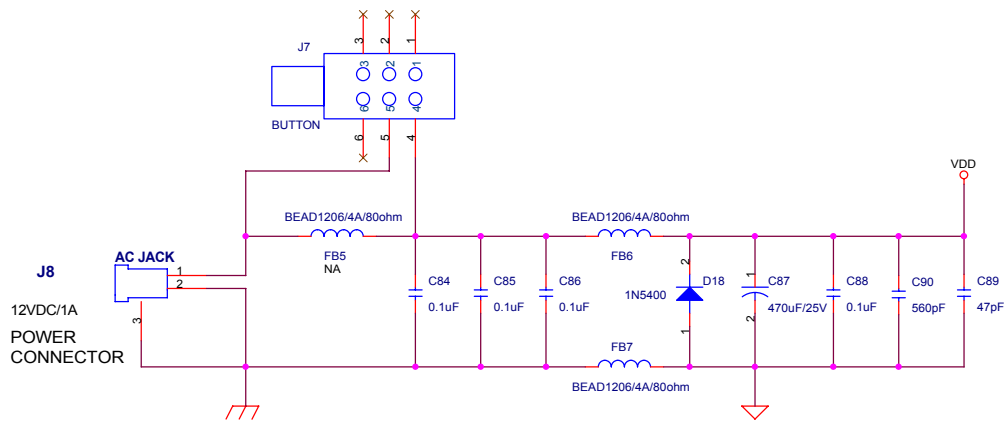


<b>ASKEY COMPUTER CORP.</b>		
Title	RTW030(11CH/13CH/14CH)	
Size	Document Number	Rev
	USB, RS232, MEMORY STICK	1.1
Date:	Tuesday, June 11, 2002	Sheet 7 of 9



# KS8995 /E

<b>ASKEY COMPUTER CORP.</b>			
Title <b>RTW030(11CH/13CH/14CH)</b>			
Size	Document Number	SWITCHING HUB	
Date:	Tuesday, June 11, 2002	Sheet	8 of 9
Rev	1.1		



<b>ASKEY COMPUTER CORP.</b>			
Title		RTW030(11CH/13CH/14CH)	
Size	Document Number	POWER	
Date:	Tuesday, June 11, 2002	Sheet	9 of 9
		Rev	1.1