

Prüfbericht-Nr.: <i>Test report no.:</i>	CN236MY5 (P15C-WiFi) 001	Auftrags-Nr.: <i>Order no.:</i>	48216848	Seite 1 von 30 Page 1 of 30
Kunden-Referenz-Nr.: <i>Client reference no.:</i>	N/A	Auftragsdatum: <i>Order date:</i>	2023-03-13	
Auftraggeber: <i>Client:</i>	Askey Computer Corp. 10F, No. 119, JIANKANG RD. ZHONGHE DIST. NEW TAIPEI CITY			
Prüfgegenstand: <i>Test item:</i>	WIFI 6E Router			
Bezeichnung / Typ-Nr.: <i>Identification / Type no.:</i>	RT5035W			
Auftrags-Inhalt: <i>Order content:</i>	FCC Part 15C Test report (WiFi 2.4GHz)			
Prüfgrundlage: <i>Test specification:</i>	FCC 47CFR Part 15: Subpart C Section 15.247			
Wareneingangsdatum: <i>Date of sample receipt:</i>	2023-03-16			
Prüfmuster-Nr.: <i>Test sample no.:</i>	A003435592-002			
Prüfzeitraum: <i>Testing period:</i>	2023-04-12 - 2023-06-02			
Ort der Prüfung: <i>Place of testing:</i>	EMC/RF Taipei Testing Site			
Prüflaboratorium: <i>Testing laboratory:</i>	Taipei Testing Laboratories			
Prüfergebnis*: <i>Test result*:</i>	Pass			
überprüft von: <i>compiled by:</i>		genehmigt von: <i>authorized by:</i>		
Datum: <i>Date:</i> 2023-07-20	Ryan Chen	Ausstellungsdatum: <i>Issue date:</i> 2023-07-20	Brenda Chen	
Stellung / Position:	Senior Project Manager	Stellung / Position:	Senior Project Manager	
Sonstiges / Other:				
Zustand des Prüfgegenstandes bei Anlieferung: <i>Condition of the test item at delivery:</i>		Prüfmuster vollständig und unbeschädigt <i>Test item complete and undamaged</i>		
* Legende:	1 = sehr gut P(ass) = entspricht o.g. Prüfgrundlage(n)	2 = gut F(ail) = entspricht nicht o.g. Prüfgrundlage(n)	3 = befriedigend N/A = nicht anwendbar	4 = ausreichend N/T = nicht getestet
* Legend:	1 = very good P(ass) = passed a.m. test specification(s)	2 = good F(ail) = failed a.m. test specification(s)	3 = satisfactory N/A = not applicable	4 = sufficient N/T = not tested
<p>Dieser Prüfbericht bezieht sich nur auf das o.g. Prüfmuster und darf ohne Genehmigung der Prüfstelle nicht auszugsweise vervielfältigt werden. Dieser Bericht berechtigt nicht zur Verwendung eines Prüfzeichens. <i>This test report only relates to the a. m. test sample. Without permission of the test center this test report is not permitted to be duplicated in extracts. This test report does not entitle to carry any test mark.</i></p>				

V05

TEST SUMMARY

Report Section	FCC Clause	Test Item	Result
5.1.1	15.247(b) & 15.203	Antenna Requirement	Pass
5.1.2	15.247(b)(3)	Average Output Power	Pass
5.1.3	15.247(a)(2)	6 dB Bandwidth	Pass
5.1.3	2.1049	99% Occupied Bandwidth	Pass
5.1.4	15.247(e)	Power Spectral Density	Pass
5.1.5	15.247(d)	Conducted Spurious Emissions and Band Edges	Pass
5.1.6	15.247(d) & 15.205 & 15.209	Radiated Spurious Emissions and Band Edges	Pass
5.2.1	15.207	Conducted Emissions on a.c. mains port	Pass

Note: Determining compliance based on the results of the compliance measurement without taking into account measurement instrumentation uncertainty.

Contents

HISTORY OF THIS TEST REPORT	5
1. GENERAL REMARKS	6
1.1 COMPLEMENTARY MATERIALS.....	6
1.2 DECISION RULE OF CONFORMITY	6
2. TEST SITES	7
2.1 TEST LABORATORY	7
2.2 TEST FACILITY.....	7
2.3 TRACEABILITY	8
2.4 CALIBRATION	8
2.5 MEASUREMENT UNCERTAINTY	8
3. GENERAL PRODUCT INFORMATION.....	9
3.1 PRODUCT FUNCTION AND INTENDED USE	9
3.2 SYSTEM DETAILS AND RATINGS.....	9
4. TEST SET-UP AND OPERATION MODES.....	10
4.1 PRINCIPLE OF CONFIGURATION SELECTION	10
4.2 CARRIER FREQUENCY AND CHANNEL.....	10
4.3 TEST OPERATION AND TEST SOFTWARE.....	11
4.4 SPECIAL ACCESSORIES AND AUXILIARY EQUIPMENT	13
4.5 TEST SETUP DIAGRAM	14
4.6 DUTY CYCLE OF TEST SIGNAL.....	15
5. TEST RESULTS	16
5.1 TRANSMITTER REQUIREMENT & TEST SUITES	16
5.1.1 <i>Antenna Requirement.....</i>	<i>16</i>
5.1.2 <i>Average Output Power</i>	<i>17</i>
5.1.3 <i>6 dB Bandwidth and 99% Occupied Bandwidth.....</i>	<i>21</i>
5.1.4 <i>Power Spectral Density</i>	<i>22</i>
5.1.5 <i>Conducted Spurious Emissions and Frequency Band Edges Measured in 100 kHz Bandwidth</i>	<i>23</i>
5.1.6 <i>Radiated Spurious Emissions and Band Edges</i>	<i>24</i>
5.2 MAINS EMISSION	29
5.2.1 <i>Conducted Emissions on a.c. mains port</i>	<i>29</i>

Prüfbericht - Nr.: CN236MY5 (P15C-WiFi) 001
Test Report No.

Seite 4 von 30
Page 4 of 30

APPENDIX A - TEST RESULTS OF CONDUCTED TEST

**APPENDIX B - TEST RESULTS OF RADIATED SPURIOUS EMISSIONS & CONDUCTED
EMISSIONS ON A.C. MAINS PORT TEST**

APPENDIX SP - PHOTOGRAPHS OF TEST SETUP

APPENDIX EP - PHOTOGRAPHS OF EUT

HISTORY OF THIS TEST REPORT

Revision	Description	Date Issued
R00	Original Release	2023-06-29
R01	Revise the model name and the description of EUT in chapter 3.1	2023-07-20

1. General Remarks

1.1 Complementary Materials

All attachments are integral parts of this test report. This applies especially to the following appendix:

Appendix A - Test Results of Conducted Test

Appendix B - Test Results of Radiated Spurious Emissions & Conducted Emissions on a.c. mains port Test

Appendix SP - Photographs of Test Setup

Appendix EP - Photographs of EUT

Applied Standard and Test Levels

Radio
FCC 47CFR Part 15: Subpart C Section 15.247
FCC 47CFR Part 2: Subpart J Section 2.1049
ANSI C63.10:2013
KDB 558074 D01 15.247 Meas Guidance v05r02
KDB 662911 D01 Multiple Transmitter Output v02r01

1.2 Decision Rule of Conformity

The decision rule of conformity of this test report is following the requirements of the requested standard in the quotation, and agreed among testing laboratory and manufacturer (applicant) to exclude the consideration of Measurement Uncertainty, unless it is required by the specific standard.

2. Test Sites

2.1 Test Laboratory

Taipei Testing Laboratories

11F. No.758, Sec. 4, Bade Rd., Songshan Dist.
Taipei City 105
Taiwan (R.O.C.)

2.2 Test Facility

Taipei Testing Laboratories

No.458-18, Sec. 2, Fenliao Rd., Linkou Dist.,
New Taipei City 244
Taiwan (R.O.C.)
FCC Registration No.: 180491
ISED Registration No.: 25563

2.3 Traceability

All measurement equipment calibrations are traceable to NML(Taiwan)/NIST(USA) or where calibration is performed outside Taiwan, to equivalent nationally recognized standards organizations.

2.4 Calibration

Equipment requiring calibration is calibrated periodically in a suitably accredited Calibration Lab. Additionally all equipment is verified for proper performance on a regular basis using in house standards or comparisons.

2.5 Measurement Uncertainty

All measurement uncertainty values are shown with a coverage factor of $k=2$ to indicate a 95% level of confidence.

Emission Measurement Uncertainty

Parameter	Uncertainty
Radiated Emission (9 kHz ~ 30 MHz)	± 1.15 dB
Radiated Emission (30 MHz ~ 200 MHz)	± 1.30 dB
Radiated Emission (200 MHz ~ 1 GHz)	± 1.30 dB
Radiated Emission (1 GHz ~ 18 GHz)	± 1.54 dB
Radiated Emission (18 GHz ~ 40 GHz)	± 2.52 dB
Mains Conducted Emission	± 1.65 dB

3. General Product Information

3.1 Product Function and Intended Use

The EUT is a WIFI 6E Router, it is a Wi-Fi router connects devices wirelessly, providing internet access within a specific range. It enables multiple devices to connect simultaneously and may offer additional features like security settings and parental controls.

For details refer to the User Guide, Data Sheet and Circuit Diagram.

3.2 System Details and Ratings

Basic Information of EUT

Item	EUT information
Kind of Equipment/Test Item	WIFI 6E Router
Type Identification	RT5035W
FCC ID	H8N-RT5035W

Technical Specification of EUT

Item	EUT information	
Operating Frequency Range	2400 MHz ~ 2483.5 MHz	
Channel Number	802.11b/g/n/ax HT20/HE20: 11 802.11n/ax HT40/HE40: 7	
Data Rate	802.11b: 11.0 / 5.5 / 2.0 / 1.0 Mbps 802.11g: 54.0 / 48.0 / 36.0 / 24.0 / 18.0 / 12.0 / 9.0 / 6.0 Mbps 802.11n/ax: up to MCS11	
Operation Voltage	Adapter input 100-240 Vac, output 12 Vdc	
Modulation	DSSS (DBPSK, DQPSK, CCK) OFDM (BPSK, QPSK, 16QAM, 64QAM) OFDMA (1024QAM)	
Maximum Output Power (mW)	CDD Mode	802.11b: 485.19
		802.11g: 883.56
		802.11n HT20: 831.51
		802.11n HT40: 448.74
		802.11ax HE20: 884.33
		802.11ax HE40: 475.87
	Beamforming Mode	802.11ax HE20: 221.11
		802.11ax HE40: 118.98
Antenna Information	Refer to 5.1.1	
Accessory Device	Refer to 4.4	

4. Test Set-up and Operation Modes

4.1 Principle of Configuration Selection

The test modes were adapted accordingly in reference to the instructions for use.

During testing, Channel and Power Controlling Software provided by the customer was used to control the operating channel as well as the output power level. The RF output power selection is for the setting of RF output expected by the customer and is going to be fixed on the firmware of the final end product.

Table for Parameters of Test Software Setting

802.11b		802.11g		802.11n HT20 802.11ax HE20		802.11n HT40 802.11ax HE40	
Channel	Power Setting	Channel	Power Setting	Channel	Power Setting	Channel	Power Setting
1	19.5	1	16	1	19	3	18.5
6	21	2	20.5	2	21	4	18.5
11	19	3	22	3	22	5	19
		6	24	6	24	6	21
		10	22	10	22	7	19
		11	17	11	17.5	8	17.5
						9	17

4.2 Carrier Frequency and Channel

802.11b, 802.11g, 802.11n HT20, 802.11ax HE20:

Channel	Frequency (MHz)	Channel	Frequency (MHz)
1	2412	8	2447
2	2417	9	2452
3	2422	10	2457
4	2427	11	2462
5	2432		
6	2437		
7	2442		

802.11n HT40, 802.11ax HE40:

Channel	Frequency (MHz)	Channel	Frequency (MHz)
3	2422	7	2442
4	2427	8	2447
5	2432	9	2452
6	2437		

4.3 Test Operation and Test Software

Setup for testing: Test samples are provided with LAN(RJ-45) interface connected to the notebook computer and used the Terminal software(Putty) to input the test mode command which makes it possible to control them through a test software(QPST) installed on a notebook computer. This software was running on the laptop computer connected to the EUT.

Test Software	QSPR V5.0-00197
---------------	-----------------

Full test was applied on all test modes, but only the worst case was shown.

The device (EUT) includes a MIMO feature with four independent transmitters and receivers.

Modulation Mode	Tx Function
802.11b	4TX (MIMO)
802.11g	4TX (MIMO)
802.11n HT20	4TX (MIMO)
802.11n HT40	4TX (MIMO)
802.11ax HE20	4TX (MIMO)
802.11ax HE40	4TX (MIMO)

* The modulation and bandwidth are similar for 802.11n mode HT20/HT40 and 802.11ax mode HE20/HE40, therefore investigated worse case as representative mode in test report.

** For Beamforming mode, only the output power is evaluated and presented in this report.

EUT Configure Mode	Applicable To				Description
	Antenna Port Conducted Measurement	Radiated Spurious Emissions above 1 GHz	Radiated Spurious Emissions below 1 GHz	Conducted Emissions on a.c. mains port	
-	√	√	√	√	-

Note:

- The EUT had been pre-tested on the positioned of each 3 axis. The worst case was found when position on **Y-plane**.
- For emission tests, the worst case was the EUT placed in typical used, refer to the photo of test-setup.
- "-" means no effect.

Antenna Port Conducted Measurement

- Only the worst case of the testing modes was reported.
- Following channel(s) was (were) selected for the final test as listed below.

EUT Configure Mode	Mode	Available Channel	Tested Channel	Date Rate (Mbps)
CDD	802.11b	1 to 11	1, 6, 11	1.0
	802.11g	1 to 11	1, 2, 3, 6, 10, 11 (Power) 1, 6, 11 (All conducted)	6.0
	802.11n HT20 (Power only)	1 to 11	1, 2, 3, 6, 10, 11	MCS0
	802.11n HT40 (Power only)	3 to 9	3, 4, 5, 6, 7, 8, 9	MCS0
	802.11ax HE20	1 to 11	1, 2, 3, 6, 10, 11 (Power) 1, 6, 11 (All conducted)	NSS1 MCS0
	802.11ax HE40	3 to 9	3, 4, 5, 6, 7, 8, 9 (Power) 3, 6, 9 (All conducted)	NSS1 MCS0
Beamforming	802.11ax HE20	1 to 11	1, 2, 3, 6, 10, 11 (Power) 1, 6, 11 (All conducted)	NSS1 MCS0
	802.11ax HE40	3 to 9	3, 4, 5, 6, 7, 8, 9 (Power) 3, 6, 9 (All conducted)	NSS1 MCS0

Radiated Spurious Emissions (Above 1 GHz)

- Only the worst case of the testing modes was reported.
- Following channel(s) was (were) selected for the final test as listed below.

PSU Used	Mode	Available Channel	Tested Channel	Date Rate (Mbps)
Adapter 1	802.11b	1 to 11	1, 6, 11	1.0
	802.11g	1 to 11	1, 6, 11	6.0
	802.11ax HE20	1 to 11	1, 6, 11	NSS1 MCS0
	802.11ax HE40	3 to 9	3, 6, 9	NSS1 MCS0

Radiated Spurious Emissions (Below 1 GHz)

- Only the worst case of the testing modes was reported.
- Following channel(s) was (were) selected for the final test as listed below.

PSU Used	Mode	Available Channel	Tested Channel	Date Rate (Mbps)
Adapter 1	802.11ax HE40	3 to 9	9	NSS1 MCS0

Conducted Emissions on a.c. mains port

- Only the worst case of the testing modes was reported.
- The EUT configuration is shown as below,

PSU Used	Radio Configurations
Adapter 1	The following radio interfaces were set with the configurations below in continuously transmitting mode. IEEE 802.11ax, HE40, 2452 MHz. IEEE 802.11ax, HE160, 5250 MHz IEEE 802.11ax, HE20, 7115 MHz.

Test Condition

Test Item	Ambient Temperature	Relative Humidity	Tested by
Conducted Measurement	23-23.6 °C	55-58 %	Andy Chen
Radiated Spurious Emissions above 1 GHz	23.9-24.8 °C	53-54 %	Chuan Chu
Radiated Spurious Emissions below 1 GHz	23.9-24.8 °C	53-54 %	Chuan Chu
Conducted Emissions on a.c. mains port	21.1-24.9 °C	51.7-54.9 %	Ray Huang

4.4 Special Accessories and Auxiliary Equipment

The product has been tested together with the following additional accessories:

Accessory of EUT

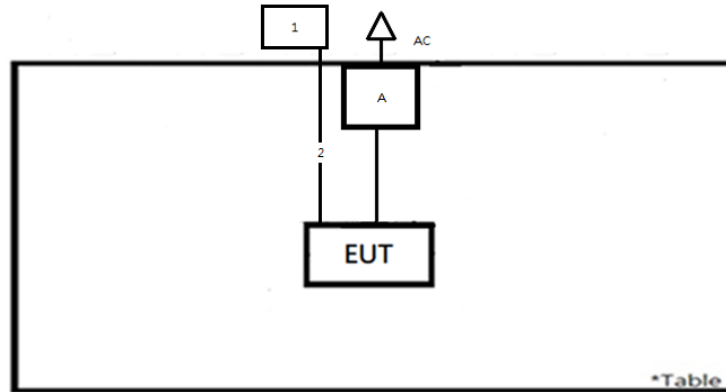
No.	Product	Brand	Model	Description
A	Adapter 1	Frecom	F42L1-120350SPAU	I/P: 100-240 Vac, 50/60 Hz, 1.4 A O/P: 12 Vdc, 3.5 A
-	Adapter 2	Mass Power	S042-1A120350VU	I/P: 100-240 Vac, 50/60 Hz, 1.0 A O/P: 12 Vdc, 3.5 A

Support Unit

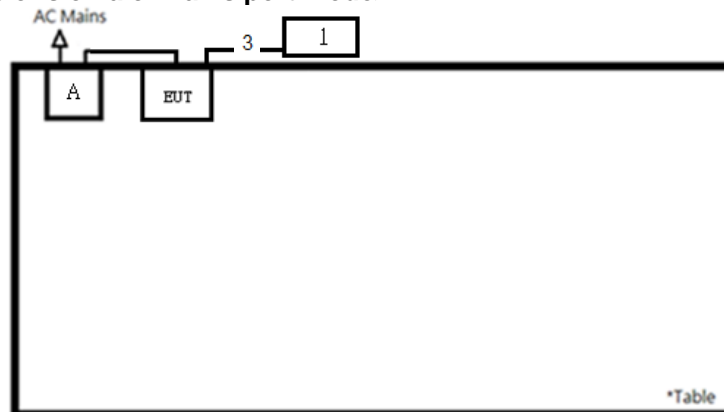
Support Unit								
No	Description	Brand	Model	S/N	Shielded	Ferrite Core (Qty)	Length (cm)	Remark
-	Notebook	HP	9470m	CNU4099WK7	-	-	-	--
1	Notebook	Lenovo	81BL	MP1DCD6Y	-	-	-	--
2	LAN Cable	TUV	TUV-01	NO	NO	NO	1000	--
3	LAN Cable	TUV	TUV-001	NO	NO	NO	300	--

4.5 Test Setup Diagram

<Radiated Spurious Emissions mode>

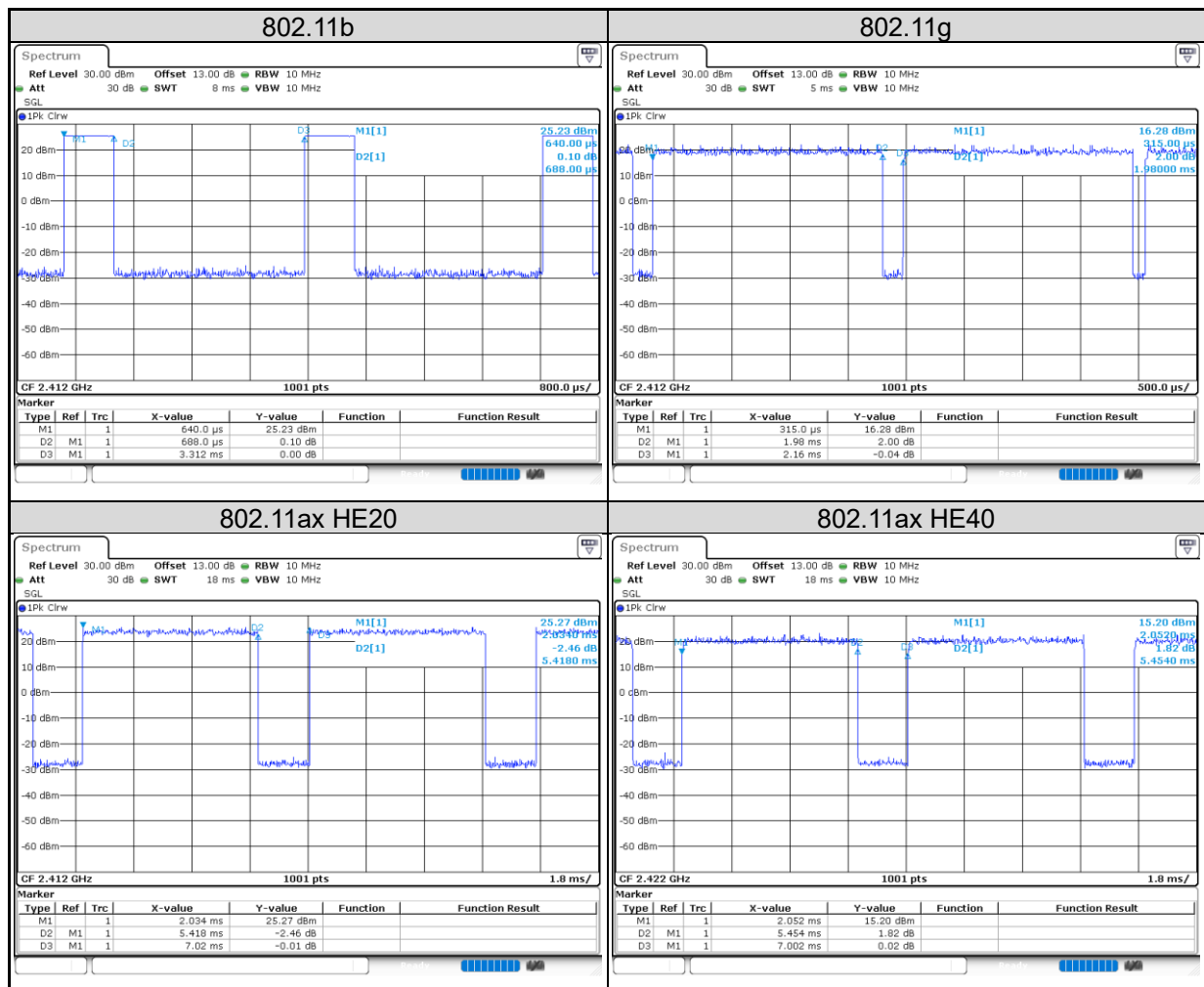


<Conducted Emissions on a.c. mains port mode>



4.6 Duty Cycle of Test Signal

Mode	On + Off Time (ms)	On Time (ms)	Duty Cycle (%)	Duty Factor (dB)
802.11b	3.31	0.69	20.77	6.83
802.11g	2.16	1.98	91.67	0.38
802.11ax HE20	7.02	5.42	77.18	1.12
802.11ax HE40	7.00	5.45	77.89	1.09



5. Test Results

5.1 Transmitter Requirement & Test Suites

5.1.1 Antenna Requirement

Requirement Use of approved antennas only

The gain value is derived from Antenna datasheet, the EUT's antenna specifications are described as below. The antenna is used with no possibility of replacement with a non-approved antenna by the end-user. Therefore, the EUT is considered to comply with this provision.

ANT		Gain (dBi)	Antenna Type
1		2.95	Dipole
2		3.20	Dipole
3		2.55	Dipole
4		3.18	Dipole
Max Peak Gain		3.20	-
CDD Mode	Power Directional Gain	3.20	-
	PSD Directional Gain	5.18	-
Beamforming Mode	Power Directional Gain	5.18	-
	PSD Directional Gain	5.18	-

Note: The PSD directional gain has been measured, please refer to antenna test report.

Refer to EUT photo for details.

5.1.2 Average Output Power

Limit 1 watt (30 dBm)

Kind of Test Site Shielded room

Test Setup



Test Instruments

Kind of Equipment	Manufacturer	Type	S/N	Calibration Date	Calibration Due Date	Test Date	
						From	Until
Power Meter	Anritsu	ML2495A	1901008	2023/3/17	2024/3/15	2023/5/4	2023/6/2
Power Sensor	Anritsu	MA2411B	1725269	2023/3/17	2024/3/15	2023/5/4	2023/6/2

Test Procedures

Average power sensor was used to perform output power measurement, trigger and gating function of wide band power meter is enabled to measure max output power of TX on burst. Duty factor is not added to measured value.

Test Result
Average Output Power
CDD Mode
<802.11b>

Channel	Channel Frequency (MHz)	Average Output Power (dBm)				Total Power		Limit (dBm)
		Chain 0	Chain 1	Chain 2	Chain 3	(dBm)	(mW)	
1	2412	19.69	19.50	19.46	19.77	25.63	365.39	30
6	2437	20.87	20.71	20.80	20.97	26.86	485.19	30
11	2462	18.91	18.68	18.94	18.89	24.88	307.38	30

<802.11g>

Channel	Channel Frequency (MHz)	Average Output Power (dBm)				Total Power		Limit (dBm)
		Chain 0	Chain 1	Chain 2	Chain 3	(dBm)	(mW)	
1	2412	15.82	15.74	15.69	15.98	21.83	152.39	30
2	2417	20.35	20.23	20.21	20.47	26.34	430.22	30
3	2422	21.96	21.69	21.73	21.82	27.82	605.60	30
6	2437	23.57	23.24	23.51	23.44	29.46	883.56	30
10	2457	21.84	21.43	21.49	21.76	27.65	582.65	30
11	2462	16.77	16.68	16.82	16.79	22.79	189.93	30

<802.11n HT20>

Channel	Channel Frequency (MHz)	Average Output Power (dBm)				Total Power		Limit (dBm)
		Chain 0	Chain 1	Chain 2	Chain 3	(dBm)	(mW)	
1	2412	18.54	18.51	18.53	18.51	24.54	284.65	30
2	2417	20.62	20.69	20.56	20.84	26.70	467.67	30
3	2422	21.72	21.55	21.61	21.68	27.66	583.59	30
6	2437	23.18	23.06	23.23	23.24	29.20	831.51	30
10	2457	21.62	21.24	21.17	21.48	27.40	549.78	30
11	2462	16.70	16.37	16.69	16.33	22.55	179.74	30

<802.11n HT40>

Channel	Channel Frequency (MHz)	Average Output Power (dBm)				Total Power		Limit (dBm)
		Chain 0	Chain 1	Chain 2	Chain 3	(dBm)	(mW)	
3	2422	18.16	17.93	18.24	18.25	24.17	261.07	30
4	2427	18.26	18.19	15.34	18.35	23.72	235.49	30
5	2432	18.77	18.71	18.82	18.88	24.82	303.11	30
6	2437	20.61	20.34	20.63	20.41	26.52	448.74	30
7	2442	18.77	18.65	18.76	18.71	24.74	298.08	30
8	2447	17.17	17.01	17.35	17.18	23.20	208.92	30
9	2452	16.66	16.35	16.54	16.48	22.53	179.04	30

<802.11ax HE20>

Channel	Channel Frequency (MHz)	Average Output Power (dBm)				Total Power		Limit (dBm)
		Chain 0	Chain 1	Chain 2	Chain 3	(dBm)	(mW)	
1	2412	18.80	18.78	18.83	18.79	24.82	303.43	30
2	2417	20.89	20.92	20.83	21.10	26.96	496.22	30
3	2422	21.97	21.80	21.86	21.93	27.91	618.17	30
6	2437	23.45	23.33	23.51	23.49	29.47	884.33	30
10	2457	21.87	21.51	21.46	21.76	27.67	585.32	30
11	2462	16.98	16.88	16.95	17.02	22.98	198.54	30

<802.11ax HE40>

Channel	Channel Frequency (MHz)	Average Output Power (dBm)				Total Power		Limit (dBm)
		Chain 0	Chain 1	Chain 2	Chain 3	(dBm)	(mW)	
3	2422	18.45	18.18	18.48	18.47	24.42	276.53	30
4	2427	18.49	18.43	18.58	18.63	24.55	285.35	30
5	2432	19.05	18.93	19.07	19.13	25.07	321.09	30
6	2437	20.89	20.62	20.86	20.64	26.77	475.87	30
7	2442	19.06	18.89	19.03	19.01	25.02	317.58	30
8	2447	17.42	17.28	17.52	17.45	23.44	220.75	30
9	2452	16.93	16.64	16.87	16.75	22.82	191.40	30

Beamforming Mode
<802.11ax HE20>

Channel	Channel Frequency (MHz)	Average Output Power (dBm)				Total Power		Limit (dBm)
		Chain 0	Chain 1	Chain 2	Chain 3	(dBm)	(mW)	
1	2412	12.78	12.76	12.81	12.77	18.80	75.87	30
2	2417	14.87	14.90	14.81	15.08	20.94	124.07	30
3	2422	15.95	15.78	15.84	15.91	21.89	154.56	30
6	2437	17.43	17.31	17.49	17.47	23.45	221.11	30
10	2457	15.85	15.49	15.44	15.74	21.65	146.35	30
11	2462	10.96	10.86	10.93	11.00	16.96	49.64	30

<802.11ax HE40>

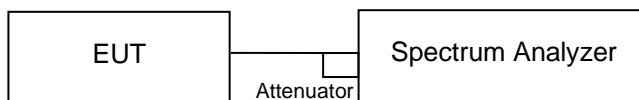
Channel	Channel Frequency (MHz)	Average Output Power (dBm)				Total Power		Limit (dBm)
		Chain 0	Chain 1	Chain 2	Chain 3	(dBm)	(mW)	
3	2422	12.43	12.16	12.46	12.45	18.40	69.14	30
4	2427	12.47	12.41	12.56	12.61	18.53	71.35	30
5	2432	13.03	12.91	13.05	13.11	19.05	80.28	30
6	2437	14.87	14.60	14.84	14.62	20.75	118.98	30
7	2442	13.04	12.87	13.01	12.99	19.00	79.41	30
8	2447	11.40	11.26	11.50	11.43	17.42	55.19	30
9	2452	10.91	10.62	10.85	10.73	16.80	47.86	30

5.1.3 6 dB Bandwidth and 99% Occupied Bandwidth

Limit The minimum 6 dB bandwidth shall be at least 500 kHz.

Kind of Test Site Shielded room

Test Setup



Test Instruments

Kind of Equipment	Manufacturer	Type	S/N	Calibration Date	Calibration Due Date	Test Date	
						From	Until
Spectrum Analyzer	R&S	FSV	101512	2023/2/23	2024/2/22	2023/5/4	2023/6/2

Test Procedure

- a. Set resolution bandwidth (RBW) = 100 kHz
- b. Set the video bandwidth (VBW) $\geq 3 \times$ RBW, Detector = Peak.
- c. Trace mode = max hold.
- d. Sweep = auto couple.
- e. Measure the maximum width of the emission that is constrained by the frequencies associated with the two amplitude points (upper and lower) that are attenuated by 6 dB relative to the maximum level measured in the fundamental emission.
- f. For 99% occupied bandwidth measurement, the transmitter output was connected to the spectrum analyzer through an attenuator. The bandwidth of the fundamental frequency was measured by spectrum analyzer with resolution bandwidth in the range of 1% to 5% of the anticipated emission bandwidth, and a video bandwidth at least 3x the resolution bandwidth and set the detector to PEAK. The width of a frequency band such that, below the lower and above the upper frequency limits, the mean powers emitted are each equal to a specified percentage 0.5% of the total mean power of a given emission.

Test Results

Please refer to Appendix A.

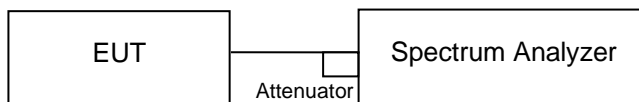
5.1.4 Power Spectral Density

Limit

The power spectral density shall not be greater than 8 dBm in any 3 kHz band.

Kind of Test Site Shielded room

Test Setup



Test Instruments

Kind of Equipment	Manufacturer	Type	S/N	Calibration Date	Calibration Due Date	Test Date	
						From	Until
Spectrum Analyzer	R&S	FSV	101512	2023/2/23	2024/2/22	2023/5/4	2023/6/2

Test Procedure

- a. Set analyzer center frequency to DTS channel center frequency.
- b. Set the span to 1.5 times the DTS bandwidth.
- c. Set the RBW to: $3 \text{ kHz} \leq \text{RBW} \leq 100 \text{ kHz}$.
- d. Set the VBW $\geq 3 \times \text{RBW}$.
- e. Detector = peak.
- f. Sweep time = auto couple.
- g. Trace mode = max hold.
- h. Allow trace to fully stabilize.
- i. Use the peak marker function to determine the maximum amplitude level within the RBW.

Test Results

Please refer to Appendix A.

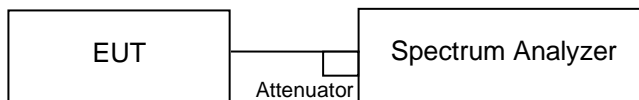
5.1.5 Conducted Spurious Emissions and Frequency Band Edges Measured in 100 kHz Bandwidth

Limit

20 dB (below that in the 100 kHz bandwidth within the band that contains the highest level of the desired power.)

Kind of Test Site Shielded room

Test Setup



Test Instruments

Kind of Equipment	Manufacturer	Type	S/N	Calibration Date	Calibration Due Date	Test Date	
						From	Until
Spectrum Analyzer	R&S	FSV	101512	2023/2/23	2024/2/22	2023/5/4	2023/6/2

Test Procedure

Measurement procedure REF

1. Set the RBW = 100 kHz.
2. Set the VBW \geq 300 kHz.
3. Detector = peak.
4. Sweep time = auto couple.
5. Trace mode = max hold.
6. Allow trace to fully stabilize.
7. Use the peak marker function to determine the maximum power level in any 100 kHz band segment within the fundamental EBW.

Measurement procedure OOBE

1. Set RBW = 100 kHz.
2. Set VBW \geq 300 kHz.
3. Detector = peak.
4. Sweep = auto couple.
5. Trace Mode = max hold.
6. Allow trace to fully stabilize.
7. Use the peak marker function to determine the maximum amplitude level.

Test Results

Please refer to Appendix A.

5.1.6 Radiated Spurious Emissions and Band Edges

Limit

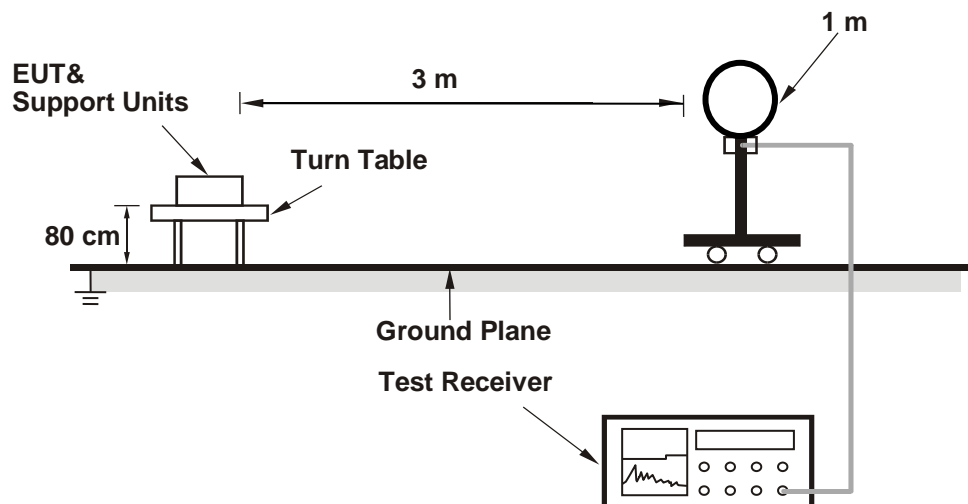
Radiated emissions which fall in the restricted bands, as defined in §15.205(a), must comply with the radiated emission limits specified in §15.209(a).

Emissions radiated outside the restricted and authorized frequency bands must either comply with the radiated emission limits specified for the restricted bands or in §15.247(d).

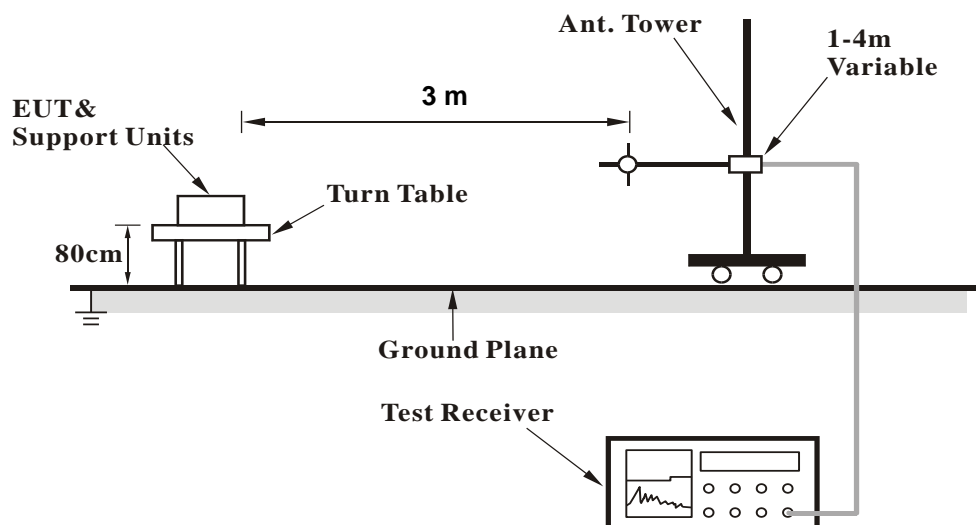
Kind of Test Site 3m Semi-Anechoic Chamber

Test Setup

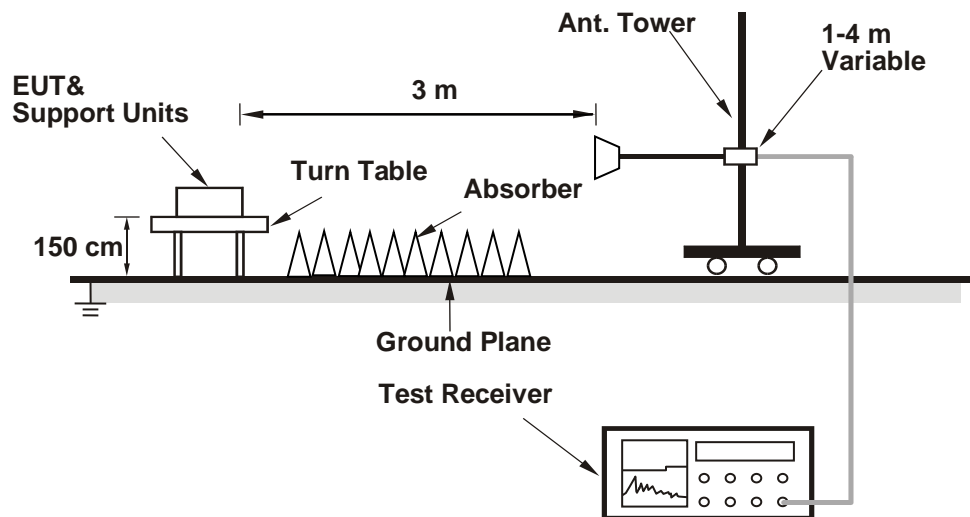
<Radiated Emissions below 30 MHz>



<Radiated Emissions 30 MHz to 1 GHz>



<Radiated Emissions above 1 GHz>



For the actual test configuration, please refer to the attached file (Test Setup Photo).

Test Instruments

Test Period: 2023-04-12 ~ 2023-04-27

Kind of Equipment	Manufacturer	Type	S/N	Calibration Date	Calibration Due Date
Above 1 GHz					
Signal Analyzer	R&S	FSV40	101513	2022/5/11	2023/5/10
Horn Antenna	ETS-Lindgren	3117	00218930	2022/12/8	2023/12/7
HF-AMP + AC source	EMCI	EMC051845SE	980633	2023/2/22	2024/2/21
HF-AMP + AC source	EMCI	EMC184045SE	980657	2023/2/16	2024/2/15
Horn Antenna	SCHWARZBECK	BBHA 9170	00887	2023/3/31	2024/3/29
Test Software	Audix E3	15914a_20191106 tuv	PK-001087	N/A	N/A
30 MHz ~ 1 GHz					
Receiver	R&S	ESR7	102109	2023/2/24	2024/2/23
Bilog Antenna	SCHWARZBECK	VULB-9168	00951	2023/3/31	2024/3/29
LF-AMP	Agilent	8447D	2944A107722	2023/3/22	2024/3/20
Test Software	Audix E3	15914a_20191106 tuv	PK-001087	N/A	N/A
Below 30 MHz					
Receiver	R&S	ESR7	102109	2023/2/24	2024/2/23
Loop Antenna	SCHWARZBECK	FMZB 1519B	00215	2023/1/4	2024/1/3
Test Software	Audix E3	15914a_20191106 tuv	PK-001087	N/A	N/A

Test Procedures**For Radiated Emissions below 30 MHz**

- a. The EUT was placed on the top of a rotating table 0.8 meters above the ground at a 3 meter chamber room. The table was rotated 360 degrees to determine the position of the highest radiation.
- b. The EUT was set 3 meters away from the interference-receiving antenna, which was mounted on the top of a variable-height antenna tower.
- c. Parallel (OPEN), perpendicular (CLOSE), and ground-parallel (GROUND) orientations of the antenna are set to make the measurement.
- d. For each suspected emission, the EUT was arranged to its worst case and the rotatable table was turned from 0 degrees to 360 degrees to find the maximum reading.
- e. The test-receiver system was set to Quasi-Peak Detect Function and Specified Bandwidth with Maximum Hold Mode.

Note:

1. The resolution bandwidth and video bandwidth of test receiver/spectrum analyzer is 9 kHz at frequency below 30 MHz.
2. All modes of operation were investigated and the worst-case emissions are reported.

For Radiated Emissions above 30 MHz

- a. The EUT was placed on the top of a rotating table 0.8 meters (for 30 MHz ~ 1 GHz) / 1.5 meters (for above 1 GHz) above the ground at 3 meter chamber room for test. The table was rotated 360 degrees to determine the position of the highest radiation.
- b. The EUT was set 3 meters away from the interference-receiving antenna, which was mounted on the top of a variable-height antenna tower.
- c. The height of antenna is varied from one meter to four meters above the ground to determine the maximum value of the field strength. Both horizontal and vertical polarizations of the antenna are set to make the measurement.
- d. For each suspected emission, the EUT was arranged to its worst case and then the antenna was tuned to heights from 1 meter to 4 meters and the rotatable table was turned from 0 degrees to 360 degrees to find the maximum reading.
- e. The test-receiver system was set to quasi-peak detect function and specified bandwidth with maximum hold mode when the test frequency is below 1 GHz.
- f. The test-receiver system was set to peak and average detected function and specified bandwidth with maximum hold mode when the test frequency is above 1 GHz. If the peak reading value also meets average limit, measurement with the average detector is unnecessary.

Note:

1. The resolution bandwidth and video bandwidth of test receiver/spectrum analyzer is 120 kHz for Quasi-peak detection (QP) or Peak detection (PK) at frequency below 1 GHz.
2. The resolution bandwidth of test receiver/spectrum analyzer is 1 MHz and the video bandwidth is 3 MHz for Peak detection (PK) at frequency above 1 GHz.
3. The resolution bandwidth of test receiver/spectrum analyzer is 1 MHz and the video bandwidth is $\geq 1/T$ (Duty cycle < 98 %) or 10 Hz (Duty cycle \geq 98 %) for Average detection (AV) at frequency above 1 GHz.
4. All modes of operation were investigated and the worst-case emissions are reported.
5. The Radiated Emissions testing was performed in the X(E1), Y(H) and Z(E2) axis orientation. The worst-case Axis orientation is recorded in this test report.
6. The emission levels of other frequencies (including the 10th harmonic of the highest fundamental frequency) are very lower than the limit and are not shown in the test report.

Prüfbericht - Nr.: **CN236MY5 (P15C-WiFi) 001**
Test Report No.

Seite 28 von 30
Page 28 of 30

Test Results

Factor (dB/m) = Antenna Factor (dB/m) + Cable Loss (dB)

Level (dBuV/m) = Reading (dBuV) + Factor (dB/m)

Please refer to Appendix B.

5.2 Mains Emission

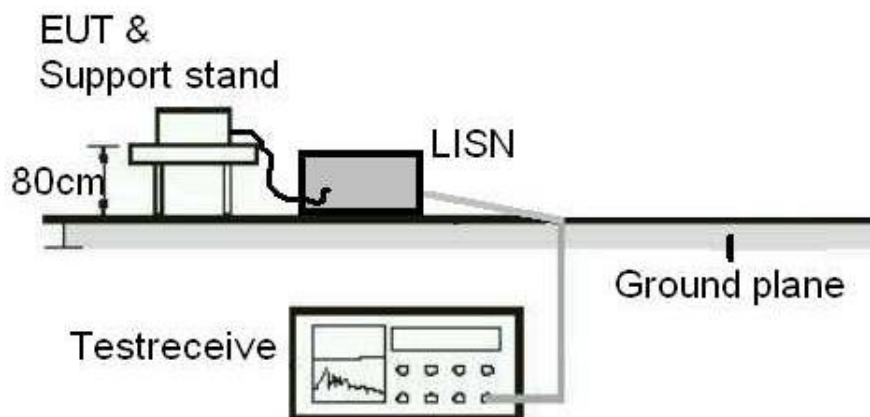
5.2.1 Conducted Emissions on a.c. mains port

Limit

Mains Conducted Emission as defined in §15.207 must comply with the mains conducted emission limits.

Kind of Test Site Shielded room

Test Setup



Test Instruments

Kind of Equipment	Manufacturer	Type	S/N	Calibration Date	Calibration Due Date
Two-Line V-Network	Rohde & Schwarz	ENV216	101938	2022/9/22	2023/9/21
EMI Test Receiver	R&S	ESCI	100797	2022/6/19	2023/6/18

Test Procedures

- a. The EUT was placed 0.4 meters from the conducting wall of the shielded room with EUT being connected to the power mains through a line impedance stabilization network (LISN). Other support units were connected to the power mains through another LISN. The two LISNs provide 50 ohm/50 uH of coupling impedance for the measuring instrument.
- b. Both lines of the power mains connected to the EUT were checked for maximum conducted interference.
- c. The frequency range from 150 kHz to 30 MHz was searched. Emission levels under (Limit – 20 dB) was not recorded.

Note: The resolution bandwidth and video bandwidth of test receiver is 9 kHz for quasi-peak detection (QP) and average detection (AV) at frequency 0.15 MHz – 30 MHz.

Test Results

Please refer to Appendix B.