

# FCC SAR Test Report

Report No. : SA160621C08-1  
Applicant : ASKEY COMPUTER CORP.  
Address : 10F, NO.119, JIANKANG RD., ZHONGHE DIST., NEW TAIPEI CITY  
23585, TAIWAN, R.O.C.  
Product : Smart Phone  
FCC ID : H8N-PCT5230  
Brand : Turbonet  
Model No. : ADR1776  
Standards : FCC 47 CFR Part 2 (2.1093) / IEEE C95.1:1992 / IEEE Std 1528:2013  
KDB 865664 D01 v01r04 / KDB 865664 D02 v01r02  
KDB 248227 D01 v02r02 / KDB 447498 D01 v06 / KDB 648474 D04 v01r03  
KDB 941225 D01 v03r01 / KDB 941225 D05 v02r05 / KDB 941225 D06 v02r01  
Sample Received Date : Jun. 21, 2016  
Date of Testing : Jul. 29, 2016 ~ Sep. 01, 2016  
Lab Address : No. 47-2, 14th Ling, Chia Pau Vil., Lin Kou Dist., New Taipei City, Taiwan, R.O.C.  
Test Location : No. 19, Hwa Ya 2nd Rd, Wen Hwa Vil, Kwei Shan Dist., Taoyuan City 33383, Taiwan (R.O.C)

**CERTIFICATION:** The above equipment have been tested by **Bureau Veritas Consumer Products Services (H.K.) Ltd., Taoyuan Branch – Lin Kou Laboratories**, and found compliance with the requirement of the above standards. The test record, data evaluation & Equipment Under Test (EUT) configurations represented herein are true and accurate accounts of the measurements of the sample's SAR characteristics under the conditions specified in this report. It should not be reproduced except in full, without the written approval of our laboratory. The client should not use it to claim product certification, approval, or endorsement by TAF or any government agencies.

Prepared By :



Vera Huang / Specialist

Approved By :



Eli Hsu / Supervisor



This report is for your exclusive use. Any copying or replication of this report to or for any other person or entity, or use of our name or trademark, is permitted only with our prior written permission. This report sets forth our findings solely with respect to the test samples identified herein. The results set forth in this report are not indicative or representative of the quality or characteristics of the lot from which a test sample was taken or any similar or identical product unless specifically and expressly noted. Our report includes all of the tests requested by you and the results thereof based upon the information that you provided to us. You have 60 days from date of issuance of this report to notify us of any material error or omission caused by our negligence, provided, however, that such notice shall be in writing and shall specifically address the issue you wish to raise. A failure to raise such issue within the prescribed time shall constitute your unqualified acceptance of the completeness of this report, the tests conducted and the correctness of the report contents. Unless specific mention, the uncertainty of measurement has been explicitly taken into account to declare the compliance or non-compliance to the specification.

## Table of Contents

<b>Release Control Record .....</b>	<b>3</b>
<b>1. Summary of Maximum SAR Value .....</b>	<b>4</b>
<b>2. Description of Equipment Under Test .....</b>	<b>5</b>
<b>3. SAR Measurement System .....</b>	<b>6</b>
3.1 Definition of Specific Absorption Rate (SAR) .....	6
3.2 SPEAG DASY System .....	6
3.2.1 Robot.....	7
3.2.2 Probes.....	8
3.2.3 Data Acquisition Electronics (DAE) .....	8
3.2.4 Phantoms .....	9
3.2.5 Device Holder.....	10
3.2.6 System Validation Dipoles .....	10
3.2.7 Tissue Simulating Liquids.....	11
3.3 SAR System Verification .....	14
3.4 SAR Measurement Procedure .....	15
3.4.1 Area & Zoom Scan Procedure .....	15
3.4.2 Volume Scan Procedure.....	15
3.4.3 Power Drift Monitoring.....	16
3.4.4 Spatial Peak SAR Evaluation .....	16
3.4.5 SAR Averaged Methods .....	16
<b>4. SAR Measurement Evaluation .....</b>	<b>17</b>
4.1 EUT Configuration and Setting.....	17
4.2 EUT Testing Position .....	22
4.2.1 Head Exposure Conditions.....	22
4.2.2 Body-worn Accessory Exposure Conditions .....	24
4.2.3 Hotspot Mode Exposure Conditions .....	25
4.2.4 Extremity Exposure Conditions .....	25
4.2.5 Simultaneous Transmission Possibilities .....	26
4.3 Tissue Verification .....	27
4.4 System Validation.....	28
4.5 System Verification.....	29
4.6 Maximum Output Power.....	30
4.6.1 Maximum Conducted Power .....	30
4.6.2 Measured Conducted Power Result.....	32
4.7 SAR Testing Results .....	38
4.7.1 SAR Test Reduction Considerations .....	38
4.7.2 SAR Results for Head Exposure Condition .....	39
4.7.3 SAR Results for Body-worn Exposure Condition (Separation Distance is 1.0 cm Gap).....	41
4.7.4 SAR Results for Hotspot Exposure Condition (Separation Distance is 1.0 cm Gap).....	42
4.7.5 SAR Results for Extremity Exposure Condition (Separation Distance is 0 cm Gap) .....	44
4.7.6 SAR Measurement Variability.....	44
4.7.7 Simultaneous Multi-band Transmission Evaluation .....	45
<b>5. Calibration of Test Equipment.....</b>	<b>58</b>
<b>6. Measurement Uncertainty.....</b>	<b>59</b>
<b>7. Information on the Testing Laboratories.....</b>	<b>61</b>
<b>Appendix A. SAR Plots of System Verification</b>	
<b>Appendix B. SAR Plots of SAR Measurement</b>	
<b>Appendix C. Calibration Certificate for Probe and Dipole</b>	
<b>Appendix D. Photographs of EUT and Setup</b>	



# FCC SAR Test Report

## 1. Summary of Maximum SAR Value

Equipment Class	Mode	Highest Reported Head SAR <sub>1g</sub> (W/kg)	Highest Reported Body-worn SAR <sub>1g</sub> (1.0 cm Gap) (W/kg)	Highest Reported Hotspot SAR <sub>1g</sub> (1.0 cm Gap) (W/kg)	Highest Reported Extremity SAR <sub>10g</sub> (0 cm Gap) (W/kg)
PCE	GSM850	0.52	0.70	0.70	N/A
	GSM1900	0.25	1.12	1.12	N/A
	CDMA BC0	0.51	0.64	0.64	N/A
	CDMA BC1	0.43	1.10	1.10	N/A
	LTE 2	0.29	0.61	0.61	N/A
	LTE 4	0.31	0.93	0.93	N/A
	LTE 5	0.30	0.47	0.47	N/A
	LTE 13	0.35	0.35	0.35	N/A
DTS	2.4G WLAN	0.29	0.38	0.38	N/A
NII	5.3G WLAN	0.14	1.19	N/A	1.53
	5.6G WLAN	0.14	1.18	N/A	1.56
	5.8G WLAN	0.10	0.90	N/A	1.32
DSS	Bluetooth	N/A	N/A	N/A	N/A
DXX	NFC	N/A	N/A	N/A	N/A
Highest Simultaneous Transmission SAR		Head (W/kg)	Body-worn (W/kg)	Hotspot (W/kg)	Extremity (W/kg)
PCE + DTS		0.81	1.50	1.50	N/A
PCE + NII		0.66	1.53	N/A	2.56
PCE + DSS		N/A	1.31	N/A	N/A

**Note:**

- The SAR limit (**Head & Body: SAR<sub>1g</sub> 1.6 W/kg, Extremity: SAR<sub>10g</sub> 4.0 W/kg**) for general population / uncontrolled exposure is specified in FCC 47 CFR part 2 (2.1093) and ANSI/IEEE C95.1-1992.

## 2. Description of Equipment Under Test

<b>EUT Type</b>	Smart Phone
<b>FCC ID</b>	H8N-PCT5230
<b>Brand Name</b>	Turbonet
<b>Model Name</b>	ADR1776
<b>Tx Frequency Bands (Unit: MHz)</b>	GSM850 : 824.2 ~ 848.8 GSM1900 : 1850.2 ~ 1909.8 CDMA BC0 : 824.7 ~ 848.31 CDMA BC1 : 1851.25 ~ 1908.75 LTE Band 2 : 1850.7 ~ 1909.3 (1.4M), 1851.5 ~ 1908.5 (3M), 1852.5 ~ 1907.5 (5M), 1855 ~ 1905 (10M), 1857.5 ~ 1902.5 (15M), 1860 ~ 1900 (20M) LTE Band 4 : 1710.7 ~ 1754.3 (1.4M), 1711.5 ~ 1753.5 (3M), 1712.5 ~ 1752.5 (5M), 1715 ~ 1750 (10M), 1717.5 ~ 1747.5 (15M), 1720 ~ 1745 (20M) LTE Band 5 : 824.7 ~ 848.3 (1.4M), 825.5 ~ 847.5 (3M), 826.5 ~ 846.5 (5M), 829 ~ 844 (10M) LTE Band 13 : 779.5 ~ 784.5 (5M), 782 (10M) WLAN : 2412 ~ 2462, 5180 ~ 5240, 5260 ~ 5320, 5500 ~ 5700, 5745 ~ 5825 Bluetooth : 2402 ~ 2480 NFC : 13.56
<b>Uplink Modulations</b>	GSM & GPRS : GMSK EDGE : 8PSK CDMA : QPSK LTE : QPSK, 16QAM 802.11b : DSSS 802.11a/g/n : OFDM Bluetooth : GFSK, $\pi/4$ -DQPSK, 8-DPSK NFC : ASK
<b>Maximum Tune-up Conducted Power (Unit: dBm)</b>	GSM850 : 33.0 GSM1900 : 32.0 CDMA BC0 : 24.0 CDMA BC1 : 24.5 LTE Band 2 : 23.5 LTE Band 4 : 23.0 LTE Band 5 : 23.0 LTE Band 13 : 22.5 WLAN 2.4G : 19.0 WLAN 5.2G : 17.5 WLAN 5.3G : 17.5 WLAN 5.6G : 17.5 WLAN 5.8G : 17.0 Bluetooth : 9.5
<b>Antenna Type</b>	Embedded Antenna
<b>EUT Stage</b>	Identical Prototype

**Note:**

- The above EUT information is declared by manufacturer and for more detailed features description please refers to the manufacturer's specifications or User's Manual.

**List of Accessory:**

<b>Battery</b>	<b>Brand Name</b>	FUJI
	<b>Model Name</b>	492005
	<b>Power Rating</b>	3.8Vdc, 11.21Wh or 2950mAh
	<b>Type</b>	Li-ion

### **3. SAR Measurement System**

#### **3.1 Definition of Specific Absorption Rate (SAR)**

SAR is related to the rate at which energy is absorbed per unit mass in an object exposed to a radio field. The SAR distribution in a biological body is complicated and is usually carried out by experimental techniques or numerical modeling. The standard recommends limits for two tiers of groups, occupational/controlled and general population/uncontrolled, based on a person's awareness and ability to exercise control over his or her exposure. In general, occupational/controlled exposure limits are higher than the limits for general population/uncontrolled.

The SAR definition is the time derivative (rate) of the incremental energy (dW) absorbed by (dissipated in) an incremental mass (dm) contained in a volume element (dv) of a given density ( $\rho$ ). The equation description is as below:

$$\text{SAR} = \frac{d}{dt} \left( \frac{dW}{dm} \right) = \frac{d}{dt} \left( \frac{dW}{\rho dv} \right)$$

SAR is expressed in units of Watts per kilogram (W/kg)

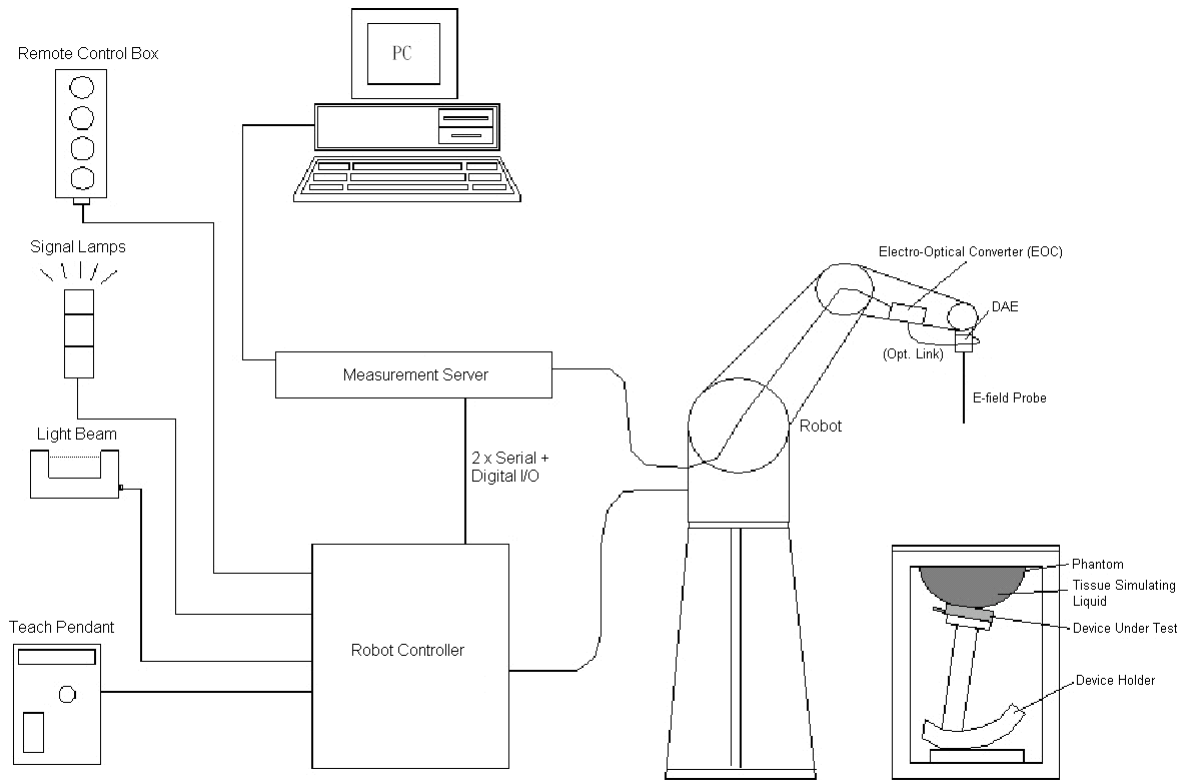
SAR measurement can be related to the electrical field in the tissue by

$$\text{SAR} = \frac{\sigma |E|^2}{\rho}$$

Where:  $\sigma$  is the conductivity of the tissue,  $\rho$  is the mass density of the tissue and E is the RMS electrical field strength.

#### **3.2 SPEAG DASY System**

DASY system consists of high precision robot, probe alignment sensor, phantom, robot controller, controlled measurement server and near-field probe. The robot includes six axes that can move to the precision position of the DASY4/5 software defined. The DASY software can define the area that is detected by the probe. The robot is connected to controlled box. Controlled measurement server is connected to the controlled robot box. The DAE includes amplifier, signal multiplexing, AD converter, offset measurement and surface detection. It is connected to the Electro-optical coupler (ECO). The ECO performs the conversion from the optical into digital electric signal of the DAE and transfers data to the PC.



**Fig-3.1 SPEAG DASY52 System Setup**

**3.2.1 Robot**

The SPEAG DASY52 systems use the high precision robots from Stäubli SA (France). For the 6-axis controller system, the robot controller version (CS8c) from Stäubli is used. The Stäubli robot series have many features that are important for our application:

- High precision (repeatability  $\pm 0.035$  mm)
- High reliability (industrial design)
- Jerk-free straight movements
- Low ELF interference (the closed metallic construction shields against motor control fields)





**Fig-3.2 SPEAG DASY52 System**

## FCC SAR Test Report


### 3.2.2 Probes

The SAR measurement is conducted with the dosimetric probe. The probe is specially designed and calibrated for use in liquid with high permittivity. The dosimetric probe has special calibration in liquid at different frequency.

<b>Model</b>	EX3DV4	
<b>Construction</b>	Symmetrical design with triangular core. Built-in shielding against static charges. PEEK enclosure material (resistant to organic solvents, e.g., DGBE).	
<b>Frequency</b>	10 MHz to 6 GHz Linearity: $\pm 0.2$ dB	
<b>Directivity</b>	$\pm 0.3$ dB in HSL (rotation around probe axis) $\pm 0.5$ dB in tissue material (rotation normal to probe axis)	
<b>Dynamic Range</b>	10 $\mu$ W/g to 100 mW/g Linearity: $\pm 0.2$ dB (noise: typically $< 1$ $\mu$ W/g)	
<b>Dimensions</b>	Overall length: 337 mm (Tip: 20 mm) Tip diameter: 2.5 mm (Body: 12 mm) Typical distance from probe tip to dipole centers: 1 mm	

<b>Model</b>	ES3DV3	
<b>Construction</b>	Symmetrical design with triangular core. Interleaved sensors. Built-in shielding against static charges. PEEK enclosure material (resistant to organic solvents, e.g., DGBE).	
<b>Frequency</b>	10 MHz to 4 GHz Linearity: $\pm 0.2$ dB	
<b>Directivity</b>	$\pm 0.2$ dB in HSL (rotation around probe axis) $\pm 0.3$ dB in tissue material (rotation normal to probe axis)	
<b>Dynamic Range</b>	5 $\mu$ W/g to 100 mW/g Linearity: $\pm 0.2$ dB	
<b>Dimensions</b>	Overall length: 337 mm (Tip: 20 mm) Tip diameter: 3.9 mm (Body: 12 mm) Distance from probe tip to dipole centers: 2.0 mm	


### 3.2.3 Data Acquisition Electronics (DAE)


<b>Model</b>	DAE3, DAE4	
<b>Construction</b>	Signal amplifier, multiplexer, A/D converter and control logic. Serial optical link for communication with DASY embedded system (fully remote controlled). Two step probe touch detector for mechanical surface detection and emergency robot stop.	
<b>Measurement Range</b>	-100 to +300 mV (16 bit resolution and two range settings: 4mV, 400mV)	
<b>Input Offset Voltage</b>	$< 5$ $\mu$ V (with auto zero)	
<b>Input Bias Current</b>	$< 50$ fA	
<b>Dimensions</b>	60 x 60 x 68 mm	



## FCC SAR Test Report


### 3.2.4 Phantoms


<b>Model</b>	Twin SAM	
<b>Construction</b>	The shell corresponds to the specifications of the Specific Anthropomorphic Mannequin (SAM) phantom defined in IEEE 1528 and IEC 62209-1. It enables the dosimetric evaluation of left and right hand phone usage as well as body mounted usage at the flat phantom region. A cover prevents evaporation of the liquid. Reference markings on the phantom allow the complete setup of all predefined phantom positions and measurement grids by teaching three points with the robot.	
<b>Material</b>	Vinylester, glass fiber reinforced (VE-GF)	
<b>Shell Thickness</b>	$2 \pm 0.2$ mm ( $6 \pm 0.2$ mm at ear point)	
<b>Dimensions</b>	Length: 1000 mm Width: 500 mm Height: adjustable feet	
<b>Filling Volume</b>	approx. 25 liters	

<b>Model</b>	ELI	
<b>Construction</b>	Phantom for compliance testing of handheld and body-mounted wireless devices in the frequency range of 30 MHz to 6 GHz. ELI is fully compatible with the IEC 62209-2 standard and all known tissue simulating liquids. ELI has been optimized regarding its performance and can be integrated into our standard phantom tables. A cover prevents evaporation of the liquid. Reference markings on the phantom allow installation of the complete setup, including all predefined phantom positions and measurement grids, by teaching three points. The phantom is compatible with all SPEAG dosimetric probes and dipoles.	
<b>Material</b>	Vinylester, glass fiber reinforced (VE-GF)	
<b>Shell Thickness</b>	$2.0 \pm 0.2$ mm (bottom plate)	
<b>Dimensions</b>	Major axis: 600 mm Minor axis: 400 mm	
<b>Filling Volume</b>	approx. 30 liters	


## FCC SAR Test Report

### 3.2.5 Device Holder

<b>Model</b>	Mounting Device	
<b>Construction</b>	In combination with the Twin SAM Phantom or ELI4, the Mounting Device enables the rotation of the mounted transmitter device in spherical coordinates. Rotation point is the ear opening point. Transmitter devices can be easily and accurately positioned according to IEC, IEEE, FCC or other specifications. The device holder can be locked for positioning at different phantom sections (left head, right head, flat).	
<b>Material</b>	POM	

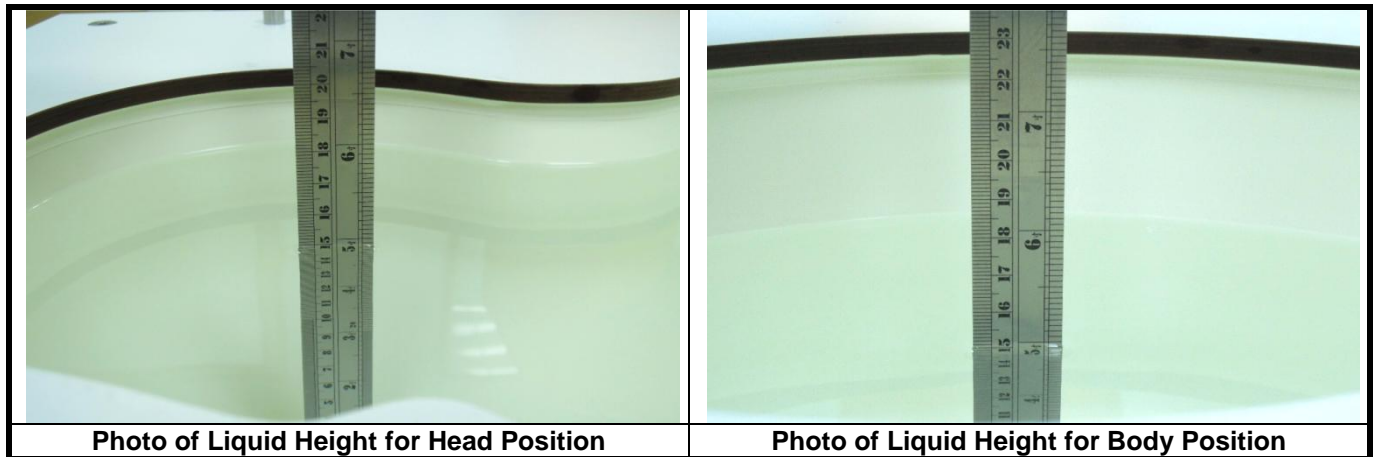
<b>Model</b>	Laptop Extensions Kit	
<b>Construction</b>	Simple but effective and easy-to-use extension for Mounting Device that facilitates the testing of larger devices according to IEC 62209-2 (e.g., laptops, cameras, etc.). It is lightweight and fits easily on the upper part of the Mounting Device in place of the phone positioner.	
<b>Material</b>	POM, Acrylic glass, Foam	

### 3.2.6 System Validation Dipoles

<b>Model</b>	D-Serial	
<b>Construction</b>	Symmetrical dipole with 1/4 balun. Enables measurement of feed point impedance with NWA. Matched for use near flat phantoms filled with tissue simulating solutions.	
<b>Frequency</b>	750 MHz to 5800 MHz	
<b>Return Loss</b>	> 20 dB	
<b>Power Capability</b>	> 100 W (f < 1GHz), > 40 W (f > 1GHz)	

**3.2.7 Tissue Simulating Liquids**

For SAR measurement of the field distribution inside the phantom, the phantom must be filled with homogeneous tissue simulating liquid to a depth of at least 15 cm. For head SAR testing, the liquid height from the ear reference point (ERP) of the phantom to the liquid top surface is larger than 15 cm. For body SAR testing, the liquid height from the center of the flat phantom to the liquid top surface is larger than 15 cm. The nominal dielectric values of the tissue simulating liquids in the phantom and the tolerance of 5% are listed in Table-3.1.



The dielectric properties of the head tissue simulating liquids are defined in IEEE 1528, and KDB 865664 D01 Appendix A. For the body tissue simulating liquids, the dielectric properties are defined in KDB 865664 D01 Appendix A. The dielectric properties of the tissue simulating liquids were verified prior to the SAR evaluation using a dielectric assessment kit and a network analyzer.

**Table-3.1 Targets of Tissue Simulating Liquid**

Frequency (MHz)	Target Permittivity	Range of $\pm 5\%$	Target Conductivity	Range of $\pm 5\%$
<b>For Head</b>				
750	41.9	39.8 ~ 44.0	0.89	0.85 ~ 0.93
835	41.5	39.4 ~ 43.6	0.90	0.86 ~ 0.95
900	41.5	39.4 ~ 43.6	0.97	0.92 ~ 1.02
1450	40.5	38.5 ~ 42.5	1.20	1.14 ~ 1.26
1640	40.3	38.3 ~ 42.3	1.29	1.23 ~ 1.35
1750	40.1	38.1 ~ 42.1	1.37	1.30 ~ 1.44
1800	40.0	38.0 ~ 42.0	1.40	1.33 ~ 1.47
1900	40.0	38.0 ~ 42.0	1.40	1.33 ~ 1.47
2000	40.0	38.0 ~ 42.0	1.40	1.33 ~ 1.47
2300	39.5	37.5 ~ 41.5	1.67	1.59 ~ 1.75
2450	39.2	37.2 ~ 41.2	1.80	1.71 ~ 1.89
2600	39.0	37.1 ~ 41.0	1.96	1.86 ~ 2.06
3500	37.9	36.0 ~ 39.8	2.91	2.76 ~ 3.06
5200	36.0	34.2 ~ 37.8	4.66	4.43 ~ 4.89
5300	35.9	34.1 ~ 37.7	4.76	4.52 ~ 5.00
5500	35.6	33.8 ~ 37.4	4.96	4.71 ~ 5.21
5600	35.5	33.7 ~ 37.3	5.07	4.82 ~ 5.32
5800	35.3	33.5 ~ 37.1	5.27	5.01 ~ 5.53
<b>For Body</b>				
750	55.5	52.7 ~ 58.3	0.96	0.91 ~ 1.01
835	55.2	52.4 ~ 58.0	0.97	0.92 ~ 1.02
900	55.0	52.3 ~ 57.8	1.05	1.00 ~ 1.10
1450	54.0	51.3 ~ 56.7	1.30	1.24 ~ 1.37
1640	53.8	51.1 ~ 56.5	1.40	1.33 ~ 1.47
1750	53.4	50.7 ~ 56.1	1.49	1.42 ~ 1.56
1800	53.3	50.6 ~ 56.0	1.52	1.44 ~ 1.60
1900	53.3	50.6 ~ 56.0	1.52	1.44 ~ 1.60
2000	53.3	50.6 ~ 56.0	1.52	1.44 ~ 1.60
2300	52.9	50.3 ~ 55.5	1.81	1.72 ~ 1.90
2450	52.7	50.1 ~ 55.3	1.95	1.85 ~ 2.05
2600	52.5	49.9 ~ 55.1	2.16	2.05 ~ 2.27
3500	51.3	48.7 ~ 53.9	3.31	3.14 ~ 3.48
5200	49.0	46.6 ~ 51.5	5.30	5.04 ~ 5.57
5300	48.9	46.5 ~ 51.3	5.42	5.15 ~ 5.69
5500	48.6	46.2 ~ 51.0	5.65	5.37 ~ 5.93
5600	48.5	46.1 ~ 50.9	5.77	5.48 ~ 6.06
5800	48.2	45.8 ~ 50.6	6.00	5.70 ~ 6.30

## FCC SAR Test Report

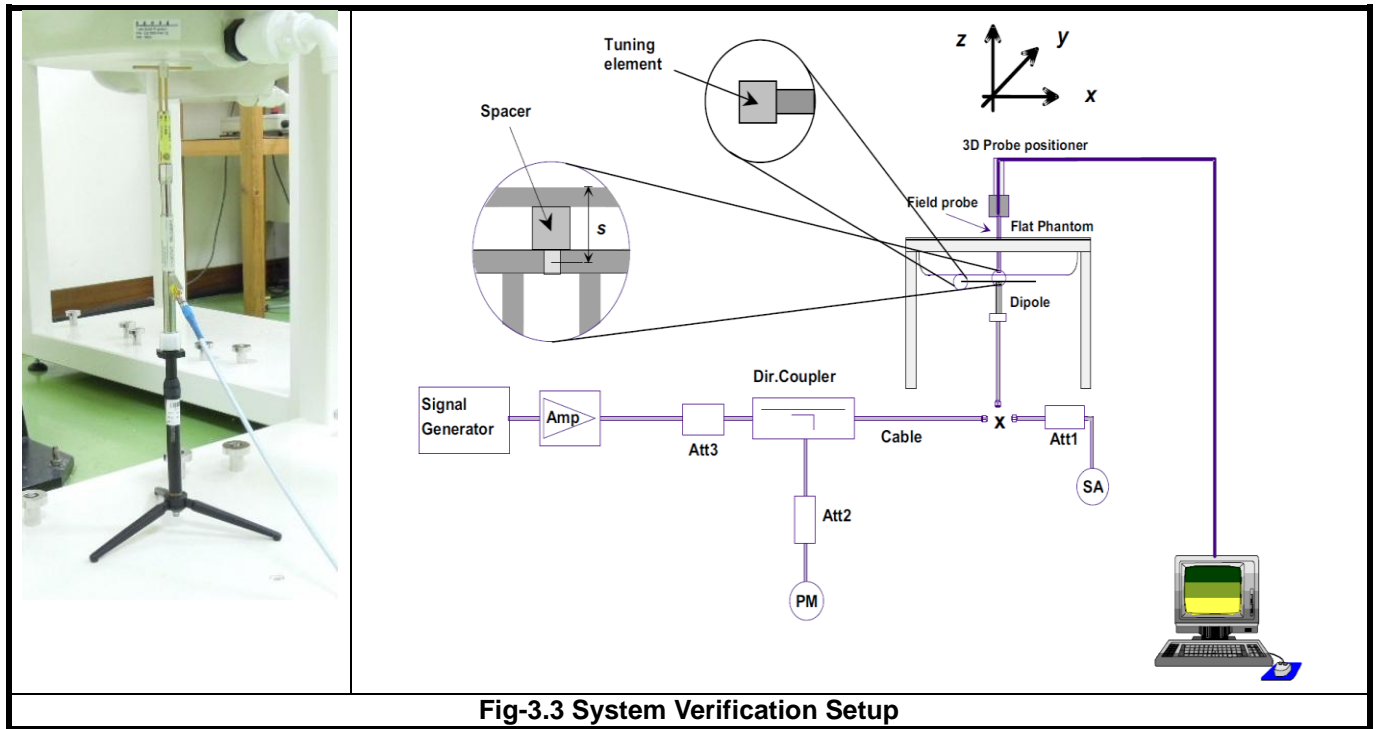
The following table gives the recipes for tissue simulating liquids.

**Table-3.2 Recipes of Tissue Simulating Liquid**

Tissue Type	Bactericide	DGBE	HEC	NaCl	Sucrose	Triton X-100	Water	Diethylene Glycol Mono-hexylether
H750	0.2	-	0.2	1.5	56.0	-	42.1	-
H835	0.2	-	0.2	1.5	57.0	-	41.1	-
H900	0.2	-	0.2	1.4	58.0	-	40.2	-
H1450	-	43.3	-	0.6	-	-	56.1	-
H1640	-	45.8	-	0.5	-	-	53.7	-
H1750	-	47.0	-	0.4	-	-	52.6	-
H1800	-	44.5	-	0.3	-	-	55.2	-
H1900	-	44.5	-	0.2	-	-	55.3	-
H2000	-	44.5	-	0.1	-	-	55.4	-
H2300	-	44.9	-	0.1	-	-	55.0	-
H2450	-	45.0	-	0.1	-	-	54.9	-
H2600	-	45.1	-	0.1	-	-	54.8	-
H3500	-	8.0	-	0.2	-	20.0	71.8	-
H5G	-	-	-	-	-	17.2	65.5	17.3
B750	0.2	-	0.2	0.8	48.8	-	50.0	-
B835	0.2	-	0.2	0.9	48.5	-	50.2	-
B900	0.2	-	0.2	0.9	48.2	-	50.5	-
B1450	-	34.0	-	0.3	-	-	65.7	-
B1640	-	32.5	-	0.3	-	-	67.2	-
B1750	-	31.0	-	0.2	-	-	68.8	-
B1800	-	29.5	-	0.4	-	-	70.1	-
B1900	-	29.5	-	0.3	-	-	70.2	-
B2000	-	30.0	-	0.2	-	-	69.8	-
B2300	-	31.0	-	0.1	-	-	68.9	-
B2450	-	31.4	-	0.1	-	-	68.5	-
B2600	-	31.8	-	0.1	-	-	68.1	-
B3500	-	28.8	-	0.1	-	-	71.1	-
B5G	-	-	-	-	-	10.7	78.6	10.7

**3.3 SAR System Verification**

The system check verifies that the system operates within its specifications. It is performed daily or before every SAR measurement. The system check uses normal SAR measurements in the flat section of the phantom with a matched dipole at a specified distance. The system verification setup is shown as below.



**Fig-3.3 System Verification Setup**

The validation dipole is placed beneath the flat phantom with the specific spacer in place. The distance spacer is touch the phantom surface with a light pressure at the reference marking and be oriented parallel to the long side of the phantom. The spectrum analyzer measures the forward power at the location of the system check dipole connector. The signal generator is adjusted for the desired forward power (250 mW is used for 700 MHz to 3 GHz, 100 mW is used for 3.5 GHz to 6 GHz) at the dipole connector and the power meter is read at that level. After connecting the cable to the dipole, the signal generator is readjusted for the same reading at power meter.

After system check testing, the SAR result will be normalized to 1W forward input power and compared with the reference SAR value derived from validation dipole certificate report. The deviation of system check should be within 10 %.

**3.4 SAR Measurement Procedure**

According to the SAR test standard, the recommended procedure for assessing the peak spatial-average SAR value consists of the following steps:

- (a) Power reference measurement
- (b) Area scan
- (c) Zoom scan
- (d) Power drift measurement

The SAR measurement procedures for each of test conditions are as follows:

- (a) Make EUT to transmit maximum output power
- (b) Measure conducted output power through RF cable
- (c) Place the EUT in the specific position of phantom
- (d) Perform SAR testing steps on the DASY system
- (e) Record the SAR value

**3.4.1 Area & Zoom Scan Procedure**

First Area Scan is used to locate the approximate location(s) of the local peak SAR value(s). The measurement grid within an Area Scan is defined by the grid extent, grid step size and grid offset. Next, in order to determine the EM field distribution in a three-dimensional spatial extension, Zoom Scan is required. The Zoom Scan is performed around the highest E-field value to determine the averaged SAR-distribution over 10 g. According to KDB 865664 D01, the resolution for Area and Zoom scan is specified in the table below.

Items	<= 2 GHz	2-3 GHz	3-4 GHz	4-5 GHz	5-6 GHz
Area Scan ( $\Delta x, \Delta y$ )	<= 15 mm	<= 12 mm	<= 12 mm	<= 10 mm	<= 10 mm
Zoom Scan ( $\Delta x, \Delta y$ )	<= 8 mm	<= 5 mm	<= 5 mm	<= 4 mm	<= 4 mm
Zoom Scan ( $\Delta z$ )	<= 5 mm	<= 5 mm	<= 4 mm	<= 3 mm	<= 2 mm
Zoom Scan Volume	>= 30 mm	>= 30 mm	>= 28 mm	>= 25 mm	>= 22 mm

**Note:**

When zoom scan is required and report SAR is <= 1.4 W/kg, the zoom scan resolution of  $\Delta x / \Delta y$  (2-3GHz: <= 8 mm, 3-4GHz: <= 7 mm, 4-6GHz: <= 5 mm) may be applied.

**3.4.2 Volume Scan Procedure**

The volume scan is used for assess overlapping SAR distributions for antennas transmitting in different frequency bands. It is equivalent to an oversized zoom scan used in standalone measurements. The measurement volume will be used to enclose all the simultaneous transmitting antennas. For antennas transmitting simultaneously in different frequency bands, the volume scan is measured separately in each frequency band. In order to sum correctly to compute the 1g aggregate SAR, the EUT remain in the same test position for all measurements and all volume scan use the same spatial resolution and grid spacing. When all volume scan were completed, the software, SEMCAD postprocessor can combine and subsequently superpose these measurement data to calculating the multiband SAR.

### 3.4.3 Power Drift Monitoring

All SAR testing is under the EUT install full charged battery and transmit maximum output power. In DASYS measurement software, the power reference measurement and power drift measurement procedures are used for monitoring the power drift of EUT during SAR test. Both these procedures measure the field at a specified reference position before and after the SAR testing. The software will calculate the field difference in dB. If the power drift more than 5%, the SAR will be retested.

### 3.4.4 Spatial Peak SAR Evaluation

The procedure for spatial peak SAR evaluation has been implemented according to the test standard. It can be conducted for 1g and 10g, as well as for user-specific masses. The DASYS software includes all numerical procedures necessary to evaluate the spatial peak SAR value.

The base for the evaluation is a "cube" measurement. The measured volume must include the 1g and 10g cubes with the highest averaged SAR values. For that purpose, the center of the measured volume is aligned to the interpolated peak SAR value of a previously performed area scan.

The entire evaluation of the spatial peak values is performed within the post-processing engine (SEMCAD). The system always gives the maximum values for the 1g and 10g cubes. The algorithm to find the cube with highest averaged SAR is divided into the following stages:

- (a) Extraction of the measured data (grid and values) from the Zoom Scan
- (b) Calculation of the SAR value at every measurement point based on all stored data (A/D values and measurement parameters)
- (c) Generation of a high-resolution mesh within the measured volume
- (d) Interpolation of all measured values from the measurement grid to the high-resolution grid
- (e) Extrapolation of the entire 3-D field distribution to the phantom surface over the distance from sensor to surface
- (f) Calculation of the averaged SAR within masses of 1g and 10g

### 3.4.5 SAR Averaged Methods

In DASYS, the interpolation and extrapolation are both based on the modified Quadratic Shepard's method. The interpolation scheme combines a least-square fitted function method and a weighted average method which are the two basic types of computational interpolation and approximation.

Extrapolation routines are used to obtain SAR values between the lowest measurement points and the inner phantom surface. The extrapolation distance is determined by the surface detection distance and the probe sensor offset. The uncertainty increases with the extrapolation distance. To keep the uncertainty within 1% for the 1 g and 10 g cubes, the extrapolation distance should not be larger than 5 mm.



## 4. SAR Measurement Evaluation

### 4.1 EUT Configuration and Setting

#### <Connections between EUT and System Simulator>

For WWAN SAR testing, the EUT was linked and controlled by base station emulator (Agilent E5515C is used for GSM/CDMA, and Anritsu MT8820C is used for LTE). Communication between the EUT and the emulator was established by air link. The distance between the EUT and the communicating antenna of the emulator is larger than 50 cm and the output power radiated from the emulator antenna is at least 30 dB smaller than the output power of EUT. The EUT was set from the emulator to radiate maximum output power during SAR testing.

#### <Considerations Related to GSM / GPRS / EDGE for Setup and Testing>

The maximum multi-slot capability supported by this device is as below.

1. This EUT is class B device
2. This EUT supports GPRS multi-slot class 33 (max. uplink: 4, max. downlink: 5, total timeslots: 6)
3. This EUT supports EDGE multi-slot class 33 (max. uplink: 4, max. downlink: 5, total timeslots: 6)
4. This EUT supports DTM multi-slot class 11 (max. uplink: 3 for 1 CS & 2 PS, max. downlink: 4, total timeslots: 5)

For GSM850 frequency band, the power control level is set to 5 for GSM mode and GPRS (GMSK: CS1), and set to 8 for EDGE (GMSK: MCS1, 8PSK: MCS9). For GSM1900 frequency band, the power control level is set to 0 for GSM mode and GPRS (GMSK: CS1), and set to 2 for EDGE (GMSK: MCS1, 8PSK: MCS9).

SAR test reduction for GPRS and EDGE modes is determined by the source-based time-averaged output power specified for production units, including tune-up tolerance. The data mode with highest specified time-averaged output power should be tested for SAR compliance in the applicable exposure conditions. For modes with the same specified maximum output power and tolerance, the higher number time-slot configuration should be tested.

### <Considerations Related to CDMA for Setup and Testing>

#### **CDMA 1xRTT Handsets Head SAR**

SAR for next to the ear head exposure is measured in RC3 with the handset configured to transmit at full rate in SO55. The 3G SAR test reduction procedure is applied to RC1 with RC3 as the primary mode. Otherwise, SAR is required for the channel with maximum measured output in RC1 using the head exposure configuration that results in the highest reported SAR in RC3.

#### **CDMA 1xRTT Handsets Body-worn SAR**

Body-worn SAR is measured in RC3 with the handset configured in TDSO/SO32 to transmit at full rate on FCH only with all other code channels disabled. The 3G SAR test reduction procedure is applied to the multiple code channel configuration (FCH + SCH<sub>n</sub>), with FCH only as the primary mode. Otherwise, SAR is required for multiple code channel configuration (FCH + SCH<sub>n</sub>), with FCH at full rate and SCH<sub>0</sub> enabled at 9600 bps, using the highest reported SAR configuration for FCH only. The 3G SAR test reduction procedure is applied to body-worn SAR in RC1 with RC3 as the primary mode. Otherwise, SAR is required for RC1, with SO55 and full rate, using the highest reported SAR configuration for body-worn exposure in RC3.

#### **Handsets with built-in EV-DO**

The 3G SAR test reduction procedure is applied to EV-DO Rev. 0 with 1xRTT RC3 as the primary mode to determine body-worn test requirements. Otherwise, body-worn SAR is required for Rev. 0, at 153.6 kbps, using the highest reported SAR configuration for body-worn exposure in RC3. The 3G SAR test reduction procedure is applied separately to Rev. A and Rev. B, with Rev. 0 as the primary mode to determine body-worn SAR test requirements. When SAR is not required for Rev. 0, the 3G SAR test reduction is applied with 1xRTT RC3 as the primary mode. Otherwise, SAR is required for Rev. A or Rev. B, with a Reverse Data Channel payload size of 4096 bits and a Termination Target of 16 slots defined for Subtype 2 and 3 Physical Layer configurations, using the highest reported SAR configuration for body-worn exposure in Rev. 0 or RC3, as appropriate. A Forward Traffic Channel data rate corresponding to the 2-slot version of 307.2 kbps with ACK Channel transmitting in all slots is configured in the downlink for Rev. 0, Rev. A and Rev. B.

#### **EV-DO Data Devices**

SAR is measured using the F/R TAP configurations required for Rev. 0, Rev. A and Rev. B. The AT is tested with a Reverse Data Channel rate of 153.6 kbps in Subtype 0/1 Physical Layer configurations. A Reverse Data Channel payload size of 4096 bits and Termination Target of 16 slots are used for Subtype 2 and 3. FTAP, FETAP and FMCTAP are all configured with a Forward Traffic Channel data rate corresponding to the 2-slot version of 307.2 kbps with ACK Channel transmitting in all slots. AT power control is in "All Bits Up" conditions for the TAP / ETAP / MCTAP. Body-worn and other body SAR are measured using Subtype 0/1 Physical Layer configurations for Rev. 0. The 3G SAR test reduction procedure is applied to Rev. A, Subtype 2 Physical layer configuration, with Rev. 0 as the primary mode. Otherwise, SAR is measured for Rev. A using the highest reported SAR configuration for body-worn exposure in Rev. 0. SAR is required for Rev. B, Subtype 3; it is measured by applying both the "test 2" and "test 3" configurations used for power measurement.

**EV-DO Data Devices Support 1xRTT**

The 3G SAR test reduction procedure is applied to 1xRTT RC3 and RC1 with EV-DO Rev. 0, Rev. A and Rev. B as the respective primary modes. Otherwise, the “CDMA 1xRTT Handsets Body-worn SAR” procedures are applied.

**1x-Advanced SAR Guidance**

The 3G SAR test reduction procedure is applied to 1x-Advanced with 1xRTT RC3 as the primary mode. When SAR measurement is required, the 1x-Advanced power measurement configurations are used. The 1x Advanced SAR procedures are applied separately to head, body-worn and other exposure conditions.

**<Considerations Related to LTE for Setup and Testing>**

This device contains LTE transmitter which follows 3GPP standards, is category 3, supports both QPSK and 16QAM modulations, and supported LTE band and channel bandwidth is listed in below. The output power was tested per 3GPP TS 36.521-1 maximum transmit procedures for both QPSK and 16QAM modulation. The results please refer to section 4.6 of this report.

EUT Supported LTE Band and Channel Bandwidth						
LTE Band	BW 1.4 MHz	BW 3 MHz	BW 5 MHz	BW 10 MHz	BW 15 MHz	BW 20 MHz
2	V	V	V	V	V	V
4	V	V	V	V	V	V
5	V	V	V	V		
13			V	V		

The LTE maximum power reduction (MPR) in accordance with 3GPP TS 36.101 is active all times during LTE operation. The allowed MPR for the maximum output power is specified in below.

Modulation	Channel Bandwidth / RB Configurations						LTE MPR Setting (dB)
	BW 1.4 MHz	BW 3 MHz	BW 5 MHz	BW 10 MHz	BW 15 MHz	BW 20 MHz	
QPSK	> 5	> 4	> 8	> 12	> 16	> 18	1
16QAM	<= 5	<= 4	<= 8	<= 12	<= 16	<= 18	1
16QAM	> 5	> 4	> 8	> 12	> 16	> 18	2

**Note:** MPR is according to the standard and implemented in the circuit (mandatory).

In addition, the device is compliant with additional maximum power reduction (A-MPR) requirements defined in 3GPP TS 36.101 section 6.2.4 that was disabled for all FCC compliance testing.

During LTE SAR testing, the related parameters of operating band, channel bandwidth, uplink channel number, modulation type, and RB was set in base station simulator. When the EUT has registered and communicated to base station simulator, the simulator set to make EUT transmitting the maximum radiated power.

### <Considerations Related to WLAN for Setup and Testing>

In general, various vendor specific external test software and chipset based internal test modes are typically used for SAR measurement. These chipset based test mode utilities are generally hardware and manufacturer dependent, and often include substantial flexibility to reconfigure or reprogram a device. A Wi-Fi device must be configured to transmit continuously at the required data rate, channel bandwidth and signal modulation, using the highest transmission duty factor supported by the test mode tools for SAR measurement. The test frequencies established using test mode must correspond to the actual channel frequencies. When 802.11 frame gaps are accounted for in the transmission, a maximum transmission duty factor of 92 - 96% is typically achievable in most test mode configurations. A minimum transmission duty factor of 85% is required to avoid certain hardware and device implementation issues related to wide range SAR scaling. In addition, a periodic transmission duty factor is required for current generation SAR systems to measure SAR correctly. The reported SAR must be scaled to 100% transmission duty factor to determine compliance at the maximum tune-up tolerance limit.

According to KDB 248227 D01, this device has installed WLAN engineering testing software which can provide continuous transmitting RF signal. During WLAN SAR testing, this device was operated to transmit continuously at the maximum transmission duty with specified transmission mode, operating frequency, lowest data rate, and maximum output power.

### Initial Test Configuration

An initial test configuration is determined for OFDM transmission modes in 2.4 GHz and 5 GHz bands according to the channel bandwidth, modulation and data rate combination(s) with the highest maximum output power specified for production units in each standalone and aggregated frequency band. When the same maximum power is specified for multiple transmission modes in a frequency band, the largest channel bandwidth, lowest order modulation, lowest data rate and lowest order 802.11a/g/n/ac mode is used for SAR measurement, on the highest measured output power channel in the initial test configuration, for each frequency band.

### Subsequent Test Configuration

SAR measurement requirements for the remaining 802.11 transmission mode configurations that have not been tested in the initial test configuration are determined separately for each standalone and aggregated frequency band, in each exposure condition, according to the maximum output power specified for production units. Additional power measurements may be required to determine if SAR measurements are required for subsequent highest output power channels in a subsequent test configuration. When the highest reported SAR for the initial test configuration according to the initial test position or fixed exposure position requirements, is adjusted by the ratio of the subsequent test configuration to initial test configuration specified maximum output power and the adjusted SAR is  $\leq 1.2$  W/kg, SAR is not required for that subsequent test configuration.

### SAR Test Configuration and Channel Selection

When multiple channel bandwidth configurations in a frequency band have the same specified maximum output power, the initial test configuration is using largest channel bandwidth, lowest order modulation, lowest data rate, and lowest order 802.11 mode (i.e., 802.11a is chosen over 802.11n then 802.11ac or 802.11g is chosen over 802.11n). After an initial test configuration is determined, if multiple test channels have the same measured maximum output power, the channel chosen for SAR measurement is determined according to the following.

- 1) The channel closest to mid-band frequency is selected for SAR measurement.
- 2) For channels with equal separation from mid-band frequency; for example, high and low channels or two mid-band channels, the higher frequency (number) channel is selected for SAR measurement.

### Test Reduction for U-NII-1 (5.2 GHz) and U-NII-2A (5.3 GHz) Bands

For devices that operate in both U-NII bands using the same transmitter and antenna(s), SAR test reduction is determined according to the following.

- 1) When the same maximum output power is specified for both bands, begin SAR measurement in U-NII-2A band by applying the OFDM SAR requirements. If the highest reported SAR for a test configuration is  $\leq 1.2$  W/kg, SAR is not required for U-NII-1 band for that configuration (802.11 mode and exposure condition).
- 2) When different maximum output power is specified for the bands, begin SAR measurement in the band with higher specified maximum output power. The highest reported SAR for the tested configuration is adjusted by the ratio of lower to higher specified maximum output power for the two bands. When the adjusted SAR is  $\leq 1.2$  W/kg, SAR is not required for the band with lower maximum output power in that test configuration.

## 4.2 EUT Testing Position

According to KDB 648474 D04, handsets are tested for SAR compliance in head, body-worn accessory and other use configurations described in the following subsections.

### 4.2.1 Head Exposure Conditions

Head exposure is limited to next to the ear voice mode operations. Head SAR compliance is tested according to the test positions defined in IEEE Std 1528-2003 using the SAM phantom illustrated as below.

1. Define two imaginary lines on the handset
  - (a) The vertical centerline passes through two points on the front side of the handset - the midpoint of the width  $w_t$  of the handset at the level of the acoustic output, and the midpoint of the width  $w_b$  of the bottom of the handset.
  - (b) The horizontal line is perpendicular to the vertical centerline and passes through the center of the acoustic output. The horizontal line is also tangential to the face of the handset at point A.
  - (c) The two lines intersect at point A. Note that for many handsets, point A coincides with the center of the acoustic output; however, the acoustic output may be located elsewhere on the horizontal line. Also note that the vertical centerline is not necessarily parallel to the front face of the handset, especially for clamshell handsets, handsets with flip covers, and other irregularly shaped handsets.

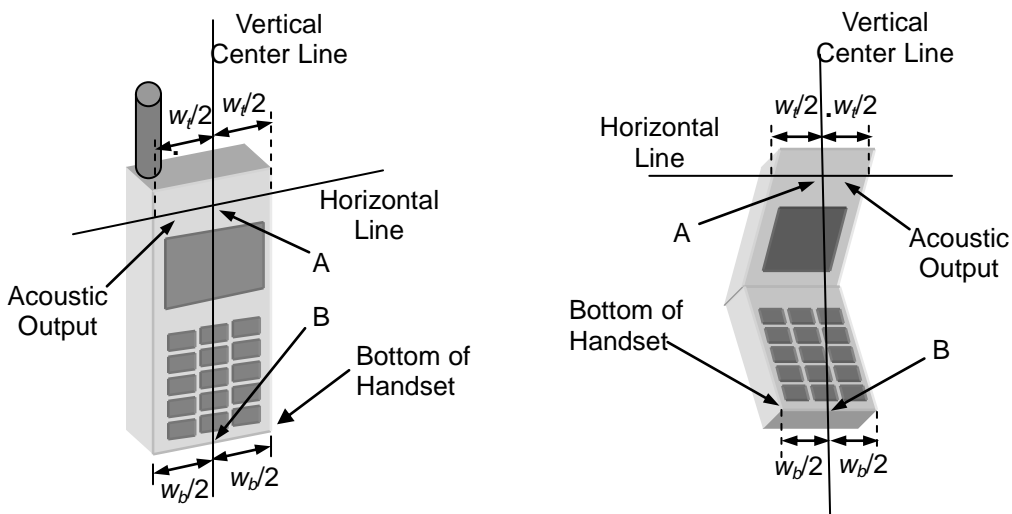
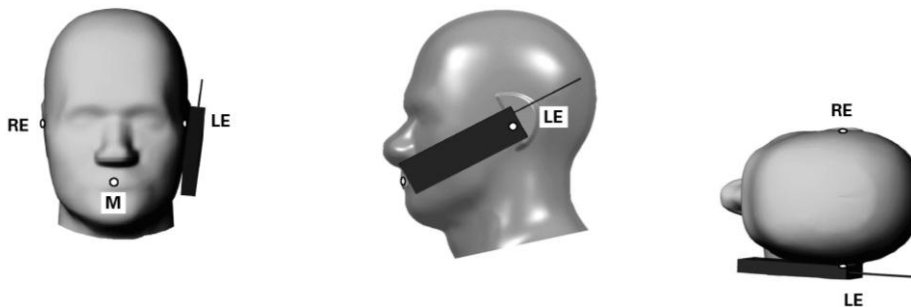


Fig-4.1 Illustration for Handset Vertical and Horizontal Reference Lines

**2. Cheek Position**

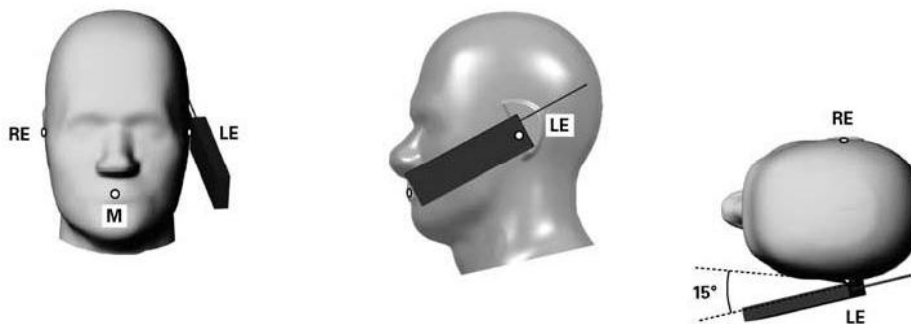
- (a) To position the device with the vertical center line of the body of the device and the horizontal line crossing the center piece in a plane parallel to the sagittal plane of the phantom. While maintaining the device in this plane, align the vertical center line with the reference plane containing the three ear and mouth reference point (M: Mouth, RE: Right Ear, and LE: Left Ear) and align the center of the ear piece with the line RE-LE.
- (b) To move the device towards the phantom with the ear piece aligned with the line LE-RE until the phone touched the ear. While maintaining the device in the reference plane and maintaining the phone contact with the ear, move the bottom of the phone until any point on the front side is in contact with the cheek of the phantom or until contact with the ear is lost (see Fig-4.2).



**Fig-4.2 Illustration for Cheek Position**

**3. Tilted Position**

- (a) To position the device in the “cheek” position described above.
- (b) While maintaining the device the reference plane described above and pivoting against the ear, moves it outward away from the mouth by an angle of 15 degrees or until contact with the ear is lost (see Fig-4.3).



**Fig-4.3 Illustration for Tilted Position**

#### 4.2.2 Body-worn Accessory Exposure Conditions

Body-worn accessory exposure is typically related to voice mode operations when handsets are carried in body-worn accessories. The body-worn accessory procedures in KDB 447498 D01 are used to test for body-worn accessory SAR compliance, without a headset connected to it. This enables the test results for such configuration to be compatible with that required for hotspot mode when the body-worn accessory test separation distance is greater than or equal to that required for hotspot mode. When the reported SAR for a body-worn accessory, measured without a headset connected to the handset, is  $> 1.2 \text{ W/kg}$ , the highest reported SAR configuration for that wireless mode and frequency band should be repeated for that body-worn accessory with a headset attached to the handset.

Body-worn accessories that do not contain metallic or conductive components may be tested according to worst-case exposure configurations, typically according to the smallest test separation distance required for the group of body-worn accessories with similar operating and exposure characteristics. All body-worn accessories containing metallic components are tested in conjunction with the host device.

Body-worn accessory SAR compliance is based on a single minimum test separation distance for all wireless and operating modes applicable to each body-worn accessory used by the host, and according to the relevant voice and/or data mode transmissions and operations. If a body-worn accessory supports voice only operations in its normal and expected use conditions, testing of data mode for body-worn compliance is not required.

A conservative minimum test separation distance for supporting off-the-shelf body-worn accessories that may be acquired by users of consumer handsets is used to test for body-worn accessory SAR compliance. This distance is determined by the handset manufacturer, according to the requirements of Supplement C 01-01. Devices that are designed to operate on the body of users using lanyards and straps, or without requiring additional body-worn accessories, will be tested using a conservative minimum test separation distance  $\leq 5 \text{ mm}$  to support compliance.

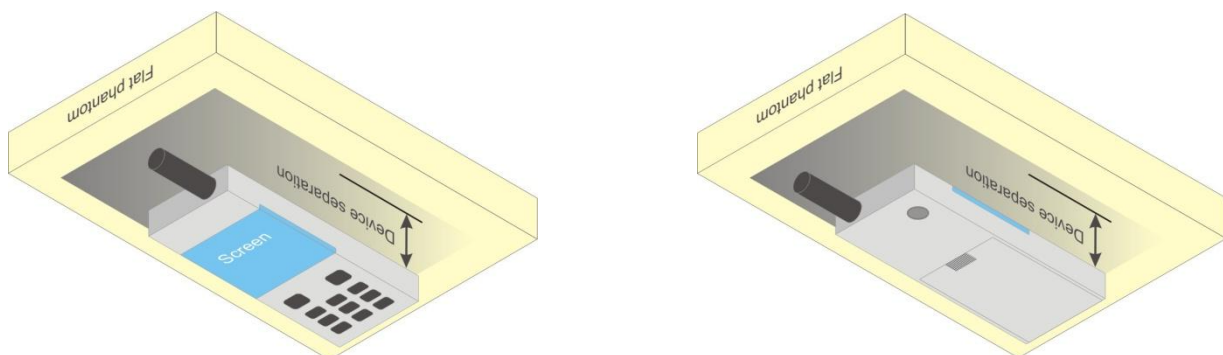
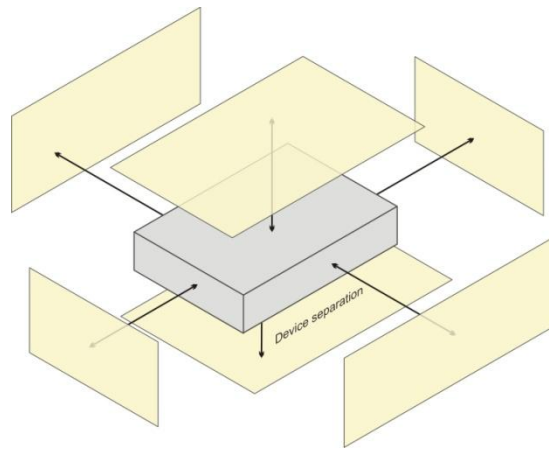


Fig-4.4 Illustration for Body Worn Position



**4.2.3 Hotspot Mode Exposure Conditions**

For handsets that support hotspot mode operations, with wireless router capabilities and various web browsing functions, the relevant hand and body exposure conditions are tested according to the hotspot SAR procedures in KDB 941225 D06. A test separation distance of 10 mm is required between the phantom and all surfaces and edges with a transmitting antenna located within 25 mm from that surface or edge. When the form factor of a handset is smaller than 9 cm x 5 cm, a test separation distance of 5 mm (instead of 10 mm) is required for testing hotspot mode. When the separation distance required for body-worn accessory testing is larger than or equal to that tested for hotspot mode, in the same wireless mode and for the same surface of the phone, the hotspot mode SAR data may be used to support body-worn accessory SAR compliance for that particular configuration (surface).



Based on the antenna location shown on appendix D of this report, the SAR testing required for hotspot mode is listed as below.

Antenna	Front Face	Rear Face	Left Side	Right Side	Top Side	Bottom Side
WWAN	V	V	V	V		V
WLAN / BT	V	V		V		

**4.2.4 Extremity Exposure Conditions**

For smart phones with a display diagonal dimension > 15 cm or an overall diagonal dimension > 16 cm that provide similar mobile web access and multimedia support found in mini-tablets or UMPC mini-tablets that support voice calls next to the ear, the following phablet procedures should be applied to evaluate SAR compliance for each applicable wireless modes and frequency band. Devices marketed as phablets, regardless of form factors and operating characteristics must be tested as a phablet to determine SAR compliance.

1. The normally required head and body-worn accessory SAR test procedures for handsets, including hotspot mode, must be applied.

## FCC SAR Test Report

2. The UMPC mini-tablet procedures must also be applied to test the SAR of all surfaces and edges with an antenna located at  $\leq 25$  mm from that surface or edge, in direct contact with a flat phantom, for 10-g extremity SAR according to the body-equivalent tissue dielectric parameters in KDB 865664 to address interactive hand use exposure conditions. The UMPC mini-tablet 1-g SAR at 5 mm is not required. When hotspot mode applies, 10-g extremity SAR is required only for the surfaces and edges with hotspot mode 1-g SAR  $> 1.2$  W/kg. The normal tablet procedures in KDB 616217 are required when the over diagonal dimension of the device is  $> 20$  cm. Hotspot mode SAR is not required when normal tablet procedures are applied. Extremity 10-g SAR is also not required for the front (top) surface of large form factor full size tablets. The more conservative tablet SAR results can be used to support the 10-g extremity SAR for phablet mode.
3. The simultaneous transmission operating configurations applicable to voice and data transmissions for both phone and mini-tablet modes must be taken into consideration separately for 1-g and 10-g SAR to determine the simultaneous transmission SAR test exclusion and measurement requirements for the relevant wireless modes and exposure conditions.

### 4.2.5 Simultaneous Transmission Possibilities

The simultaneous transmission possibilities for this device are listed as below.

Simultaneous TX Combination	Capable Transmit Configurations	Head (Voice / VoIP)	Body-worn (Voice / VoIP)	Hotspot (Data)
1	GSM850 (Voice / Data) + WLAN (Data)	Yes	Yes	Yes
2	GSM1900 (Voice / Data) + WLAN (Data)	Yes	Yes	Yes
3	CDMA BC0 (Voice / Data) + WLAN (Data)	Yes	Yes	Yes
4	CDMA BC1 (Voice / Data) + WLAN (Data)	Yes	Yes	Yes
5	LTE 2 (Data) + WLAN (Data)	Yes	Yes	Yes
6	LTE 4 (Data) + WLAN (Data)	Yes	Yes	Yes
7	LTE 5 (Data) + WLAN (Data)	Yes	Yes	Yes
8	LTE 13 (Data) + WLAN (Data)	Yes	Yes	Yes
9	GSM850 (Voice / Data) + BT (Data)	No	Yes	No
10	GSM1900 (Voice / Data) + BT (Data)	No	Yes	No
11	CDMA BC0 (Voice / Data) + BT (Data)	No	Yes	No
12	CDMA BC1 (Voice / Data) + BT (Data)	No	Yes	No
13	LTE 2 (Data) + BT (Data)	No	Yes	No
14	LTE 4 (Data) + BT (Data)	No	Yes	No
15	LTE 5 (Data) + BT (Data)	No	Yes	No
16	LTE 13 (Data) + BT (Data)	No	Yes	No

**Note :**

1. The 2.4G WLAN and 5G WLAN cannot transmit simultaneously.
2. The WLAN and Bluetooth cannot transmit simultaneously, so there is no co-location test requirement for WLAN and Bluetooth.
3. Only 2.4G WLAN (802.11b/g/n) supports wireless hotspot capability. 5G WLAN (802.11a/n/ac) does not support wireless hotspot mode.

**4.3 Tissue Verification**

The measuring results for tissue simulating liquid are shown as below.

Test Date	Tissue Type	Frequency (MHz)	Liquid Temp. (°C)	Measured Conductivity (σ)	Measured Permittivity (ε <sub>r</sub> )	Target Conductivity (σ)	Target Permittivity (ε <sub>r</sub> )	Conductivity Deviation (%)	Permittivity Deviation (%)
Aug. 18, 2016	Head	750	23.5	0.885	40.053	0.89	41.9	-0.56	-4.41
Aug. 17, 2016	Head	835	23.5	0.903	43.167	0.90	41.5	0.33	4.02
Aug. 18, 2016	Head	835	23.5	0.904	43.174	0.90	41.5	0.44	4.03
Aug. 25, 2016	Head	835	23.5	0.909	42.784	0.90	41.5	1.00	3.09
Aug. 18, 2016	Head	1750	23.4	1.322	38.946	1.37	40.1	-3.50	-2.88
Aug. 29, 2016	Head	1750	23.3	1.326	39.921	1.37	40.1	-3.21	-0.45
Aug. 18, 2016	Head	1900	23.4	1.450	38.398	1.40	40.0	3.57	-4.00
Aug. 25, 2016	Head	1900	23.6	1.453	38.423	1.40	40.0	3.79	-3.94
Aug. 29, 2016	Head	1900	23.3	1.454	39.385	1.40	40.0	3.86	-1.54
Sep. 01, 2016	Head	1900	23.6	1.460	38.262	1.40	40.0	4.29	-4.35
Aug. 30, 2016	Head	2450	23.3	1.864	37.884	1.80	39.2	3.56	-3.36
Aug. 30, 2016	Head	5300	23.2	4.844	35.000	4.76	35.9	1.76	-2.51
Aug. 30, 2016	Head	5600	23.2	5.176	34.669	5.07	35.5	2.09	-2.34
Aug. 30, 2016	Head	5800	23.2	5.405	34.292	5.27	35.3	2.56	-2.86
Aug. 17, 2016	Body	750	23.6	0.967	56.078	0.96	55.5	0.73	1.04
Aug. 16, 2016	Body	835	23.3	0.985	53.787	0.97	55.2	1.55	-2.56
Aug. 17, 2016	Body	835	23.6	0.994	54.724	0.97	55.2	2.47	-0.86
Aug. 23, 2016	Body	835	23.5	0.982	53.931	0.97	55.2	1.24	-2.30
Aug. 16, 2016	Body	1750	23.5	1.444	51.300	1.49	53.4	-3.09	-3.93
Aug. 24, 2016	Body	1750	23.3	1.442	51.297	1.49	53.4	-3.22	-3.94
Aug. 29, 2016	Body	1750	23.4	1.421	51.180	1.49	53.4	-4.63	0.28
Aug. 16, 2016	Body	1900	23.5	1.586	50.834	1.52	53.3	4.34	-4.63
Aug. 22, 2016	Body	1900	23.6	1.564	51.433	1.52	53.3	2.89	-3.50
Aug. 24, 2016	Body	1900	23.6	1.586	50.834	1.52	53.3	4.34	-4.63
Aug. 26, 2016	Body	1900	23.5	1.585	50.832	1.52	53.3	4.28	-4.63
Aug. 17, 2016	Body	2450	23.6	2.041	51.631	1.95	52.7	4.67	-2.03
Aug. 23, 2016	Body	2450	23.5	2.043	51.362	1.95	52.7	4.77	-2.54
Aug. 19, 2016	Body	5300	23.4	5.540	46.826	5.42	48.9	2.21	-4.24
Aug. 23, 2016	Body	5300	23.6	5.412	48.861	5.42	48.9	-0.15	-0.08
Aug. 19, 2016	Body	5600	23.4	5.933	46.350	5.77	48.5	2.82	-4.43
Aug. 23, 2016	Body	5600	23.6	5.748	48.239	5.77	48.5	-0.38	-0.54
Aug. 19, 2016	Body	5800	23.4	6.216	46.005	6.00	48.2	3.60	-4.55
Aug. 23, 2016	Body	5800	23.6	6.000	48.370	6.00	48.2	0.00	0.35

**Note:**

The dielectric properties of the tissue simulating liquid must be measured within 24 hours before the SAR testing and within ±5% of the target values. Liquid temperature during the SAR testing must be within ±2 °C.

# FCC SAR Test Report

## For Extremity SAR10g

Test Date	Tissue Type	Frequency (MHz)	Liquid Temp. (°C)	Measured Conductivity (σ)	Measured Permittivity (ε <sub>r</sub> )	Target Conductivity (σ)	Target Permittivity (ε <sub>r</sub> )	Conductivity Deviation (%)	Permittivity Deviation (%)
Aug. 23, 2016	Body	5300	23.6	5.412	48.861	5.42	48.9	-0.15	-0.08
Aug. 23, 2016	Body	5600	23.6	5.748	48.239	5.77	48.5	-0.38	-0.54
Aug. 23, 2016	Body	5800	23.6	6.000	48.370	6.00	48.2	0.00	0.35

### Note:

The dielectric properties of the tissue simulating liquid must be measured within 24 hours before the SAR testing and within ±5% of the target values. Liquid temperature during the SAR testing must be within ±2 °C.

## 4.4 System Validation

The SAR measurement system was validated according to procedures in KDB 865664 D01. The validation status in tabulated summary is as below.

Test Date	Probe S/N	Calibration Point		Measured Conductivity (σ)	Measured Permittivity (ε <sub>r</sub> )	Validation for CW			Validation for Modulation		
						Sensitivity Range	Probe Linearity	Probe Isotropy	Modulation Type	Duty Factor	PAR
Aug. 18, 2016	3971	Head	750	0.885	40.053	Pass	Pass	Pass	N/A	N/A	N/A
Aug. 17, 2016	3971	Head	835	0.903	43.167	Pass	Pass	Pass	N/A	N/A	N/A
Aug. 18, 2016	3971	Head	835	0.904	43.174	Pass	Pass	Pass	N/A	N/A	N/A
Aug. 25, 2016	3650	Head	835	0.909	42.784	Pass	Pass	Pass	GMSK	Pass	N/A
Aug. 18, 2016	3971	Head	1750	1.322	38.946	Pass	Pass	Pass	N/A	N/A	N/A
Aug. 29, 2016	1790	Head	1750	1.326	39.921	Pass	Pass	Pass	N/A	N/A	N/A
Aug. 18, 2016	3971	Head	1900	1.450	38.398	Pass	Pass	Pass	N/A	N/A	N/A
Aug. 25, 2016	3650	Head	1900	1.453	38.423	Pass	Pass	Pass	N/A	N/A	N/A
Aug. 29, 2016	1790	Head	1900	1.454	39.385	Pass	Pass	Pass	N/A	N/A	N/A
Sep. 01, 2016	1790	Head	1900	1.460	38.262	Pass	Pass	Pass	GMSK	Pass	N/A
Aug. 30, 2016	3864	Head	2450	1.864	37.884	Pass	Pass	Pass	OFDM	N/A	Pass
Aug. 30, 2016	3864	Head	5300	4.844	35.000	Pass	Pass	Pass	OFDM	N/A	Pass
Aug. 30, 2016	3864	Head	5600	5.176	34.669	Pass	Pass	Pass	OFDM	N/A	Pass
Aug. 30, 2016	3864	Head	5800	5.405	34.292	Pass	Pass	Pass	OFDM	N/A	Pass
Aug. 17, 2016	3971	Body	750	0.967	56.078	Pass	Pass	Pass	N/A	N/A	N/A
Aug. 16, 2016	1790	Body	835	0.985	53.787	Pass	Pass	Pass	N/A	N/A	N/A
Aug. 17, 2016	3971	Body	835	0.994	54.724	Pass	Pass	Pass	N/A	N/A	N/A
Aug. 23, 2016	3650	Body	835	0.982	53.931	Pass	Pass	Pass	GMSK	Pass	N/A
Aug. 16, 2016	1790	Body	1750	1.444	51.300	Pass	Pass	Pass	N/A	N/A	N/A
Aug. 24, 2016	3864	Body	1750	1.442	51.297	Pass	Pass	Pass	N/A	N/A	N/A
Aug. 29, 2016	1790	Body	1750	1.421	51.180	Pass	Pass	Pass	N/A	N/A	N/A
Aug. 16, 2016	1790	Body	1900	1.586	50.834	Pass	Pass	Pass	N/A	N/A	N/A
Aug. 22, 2016	3650	Body	1900	1.564	51.433	Pass	Pass	Pass	N/A	N/A	N/A
Aug. 24, 2016	3864	Body	1900	1.586	50.834	Pass	Pass	Pass	GMSK	Pass	N/A
Aug. 26, 2016	3864	Body	1900	1.585	50.832	Pass	Pass	Pass	N/A	N/A	N/A
Aug. 17, 2016	3971	Body	2450	2.041	51.631	Pass	Pass	Pass	OFDM	N/A	Pass
Aug. 23, 2016	3650	Body	2450	2.043	51.362	Pass	Pass	Pass	OFDM	N/A	Pass
Aug. 19, 2016	3971	Body	5300	5.540	46.826	Pass	Pass	Pass	OFDM	N/A	Pass
Aug. 23, 2016	3650	Body	5300	5.412	48.861	Pass	Pass	Pass	OFDM	N/A	Pass
Aug. 19, 2016	3971	Body	5600	5.933	46.350	Pass	Pass	Pass	OFDM	N/A	Pass
Aug. 23, 2016	3650	Body	5600	5.748	48.239	Pass	Pass	Pass	OFDM	N/A	Pass
Aug. 19, 2016	3971	Body	5800	6.216	46.005	Pass	Pass	Pass	OFDM	N/A	Pass
Aug. 23, 2016	3650	Body	5800	6.000	48.370	Pass	Pass	Pass	OFDM	N/A	Pass

# FCC SAR Test Report

## For Extremity SAR10g

Test Date	Probe S/N	Calibration Point		Measured Conductivity ( $\sigma$ )	Measured Permittivity ( $\epsilon_r$ )	Validation for CW			Validation for Modulation		
						Sensitivity Range	Probe Linearity	Probe Isotropy	Modulation Type	Duty Factor	PAR
Aug. 23, 2016	3650	Body	5300	5.412	48.861	Pass	Pass	Pass	OFDM	N/A	Pass
Aug. 23, 2016	3650	Body	5600	5.748	48.239	Pass	Pass	Pass	OFDM	N/A	Pass
Aug. 23, 2016	3650	Body	5800	6.000	48.370	Pass	Pass	Pass	OFDM	N/A	Pass

## 4.5 System Verification

The measuring result for system verification is tabulated as below.

### For SAR1g

Test Date	Mode	Frequency (MHz)	1W Target SAR-1g (W/kg)	Measured SAR-1g (W/kg)	Normalized to 1W SAR-1g (W/kg)	Deviation (%)	Dipole S/N	Probe S/N	DAE S/N
Aug. 18, 2016	Head	750	8.22	2.15	8.60	4.62	1132	3971	1431
Aug. 17, 2016	Head	835	9.42	2.20	8.80	-6.58	4d120	3971	1431
Aug. 18, 2016	Head	835	9.42	2.26	9.04	-4.03	4d120	3971	1431
Aug. 25, 2016	Head	835	9.42	2.21	8.84	-6.16	4d120	3650	861
Aug. 18, 2016	Head	1750	36.20	8.89	35.56	-1.77	1023	3971	1431
Aug. 29, 2016	Head	1750	36.20	8.85	35.40	-2.21	1023	1790	1277
Aug. 18, 2016	Head	1900	38.90	9.85	39.40	1.29	5d036	3971	1431
Aug. 25, 2016	Head	1900	38.90	10.50	42.00	7.97	5d036	3650	861
Aug. 29, 2016	Head	1900	38.90	10.20	40.80	4.88	5d036	1790	1277
Sep. 01, 2016	Head	1900	38.90	10.10	40.40	3.86	5d036	1790	1277
Aug. 30, 2016	Head	2450	53.50	12.70	50.80	-5.05	869	3864	393
Aug. 30, 2016	Head	5300	81.70	8.39	83.90	2.69	1040	3864	393
Aug. 30, 2016	Head	5600	80.50	8.29	82.90	2.98	1040	3864	393
Aug. 30, 2016	Head	5800	75.90	8.19	81.90	7.91	1040	3864	393
Aug. 17, 2016	Body	750	8.89	2.18	8.72	-1.91	1132	3971	1431
Aug. 16, 2016	Body	835	9.52	2.43	9.72	2.10	4d120	1790	861
Aug. 17, 2016	Body	835	9.52	2.49	9.96	4.62	4d120	3971	1431
Aug. 23, 2016	Body	835	9.52	2.32	9.28	-2.52	4d120	3650	861
Aug. 16, 2016	Body	1750	36.40	9.06	36.24	-0.44	1023	1790	861
Aug. 24, 2016	Body	1750	36.40	8.92	35.68	-1.98	1023	3864	393
Aug. 29, 2016	Body	1750	36.40	8.74	34.96	-3.96	1023	1790	1277
Aug. 16, 2016	Body	1900	40.70	9.94	39.76	-2.31	5d036	1790	861
Aug. 22, 2016	Body	1900	40.70	9.62	38.48	-5.45	5d036	3650	861
Aug. 24, 2016	Body	1900	40.70	10.10	40.40	-0.74	5d036	3864	393
Aug. 26, 2016	Body	1900	40.70	10.11	40.44	-0.64	5d036	3864	393
Aug. 17, 2016	Body	2450	51.40	12.70	50.80	-1.17	869	3971	1431
Aug. 23, 2016	Body	2450	51.40	12.20	48.80	-5.06	869	3650	861
Aug. 19, 2016	Body	5300	76.40	7.81	78.10	2.23	1040	3971	1431
Aug. 23, 2016	Body	5300	76.40	7.48	74.80	-2.09	1040	3650	861
Aug. 19, 2016	Body	5600	78.40	8.00	80.00	2.04	1040	3971	1431
Aug. 23, 2016	Body	5600	78.40	7.65	76.50	-2.42	1040	3650	861
Aug. 19, 2016	Body	5800	75.20	8.10	81.00	7.71	1040	3971	1431
Aug. 23, 2016	Body	5800	75.20	7.47	74.70	-0.66	1040	3650	861

### Note:

Comparing to the reference SAR value provided by SPEAG, the validation data should be within its specification of 10 %. The result indicates the system check can meet the variation criterion and the plots can be referred to Appendix A of this report.

# FCC SAR Test Report

## For Extremity SAR10g

Test Date	Mode	Frequency (MHz)	1W Target SAR-10g (W/kg)	Measured SAR-10g (W/kg)	Normalized to 1W SAR-10g (W/kg)	Deviation (%)	Dipole S/N	Probe S/N	DAE S/N
Aug. 23, 2016	Body	5300	21.40	2.13	21.30	-0.47	1040	3650	861
Aug. 23, 2016	Body	5600	21.90	2.18	21.80	-0.46	1040	3650	861
Aug. 23, 2016	Body	5800	20.80	2.12	21.20	1.92	1040	3650	861

**Note:**

Comparing to the reference SAR value provided by SPEAG, the validation data should be within its specification of 10 %. The result indicates the system check can meet the variation criterion and the plots can be referred to Appendix A of this report.

## 4.6 Maximum Output Power

### 4.6.1 Maximum Conducted Power

The maximum conducted average power (Unit: dBm) including tune-up tolerance is shown as below.

Mode	Maximum Burst-Averaged Output Power		Maximum Frame-Averaged Output Power	
	GSM850	GSM1900	GSM850	GSM1900
GSM (GMSK, 1Tx-slot)	33.0	32.0	24.0	23.0
GPRS (GMSK, 1Tx-slot)	33.0	32.0	24.0	23.0
GPRS (GMSK, 2Tx-slot)	31.5	31.0	25.5	25.0
GPRS (GMSK, 3Tx-slot)	30.0	29.0	25.7	24.7
GPRS (GMSK, 4Tx-slot)	29.0	27.5	26.0	24.5
EDGE (8PSK, 1Tx-slot)	26.5	27.5	17.5	18.5
EDGE (8PSK, 2Tx-slot)	25.0	26.5	19.0	20.5
EDGE (8PSK, 3Tx-slot)	24.0	25.0	19.7	20.7
EDGE (8PSK, 4Tx-slot)	22.5	24.0	19.5	21.0
DTM (GMSK, 2Tx-slot)	30.5	31.0	24.5	25.0
DTM (GMSK, 3Tx-slot)	30.0	29.0	25.7	24.7
DTM (8PSK, 2Tx-slot)	24.5	27.0	18.5	21.0
DTM (8PSK, 3Tx-slot)	23.5	27.0	19.2	22.7

**Note:**

- SAR testing was performed on the maximum frame-averaged power mode.
- The frame-averaged power is linearly proportion to the slot number configured and it is linearly scaled the maximum burst-averaged power based on time slots. The calculated method is shown as below:  

$$\text{Frame-averaged power} = 10 \times \log (\text{Burst-averaged power mW} \times \text{Slot used} / 8)$$

## FCC SAR Test Report

Mode	CDMA BC0	CDMA BC1
1xRTT	24.0	24.5
1xEVDO Rev.0	24.0	24.5
1xEVDO Rev.A	24.0	24.5

Mode	LTE 2	LTE 4	LTE 5	LTE 13
QPSK / 16QAM	23.5	23.0	23.0	22.5

Mode	2.4G WLAN	5.2G WLAN	5.3G WLAN	5.6G WLAN	5.8G WLAN
802.11b	19.0	N/A	N/A	N/A	N/A
802.11g	Ch 1-6: 14.0 Ch 11: 12.0	N/A	N/A	N/A	N/A
802.11a	N/A	17.0	17.5	17.5	17.0
802.11n HT20	Ch 1-6: 13.0 Ch 11: 12.0	17.5	17.0	15.5	17.0
802.11n HT40	N/A	16.0	14.5	13.5	15.0

Mode	2.4G Bluetooth
Bluetooth DH	9.5

# FCC SAR Test Report

## 4.6.2 Measured Conducted Power Result

The measuring conducted average power (Unit: dBm) is shown as below.

Band	GSM850			GSM1900		
Channel	128	189	251	512	661	810
Frequency (MHz)	824.2	836.4	848.8	1850.2	1880.0	1909.8
<b>Maximum Burst-Averaged Output Power</b>						
GSM (GMSK, 1Tx-slot)	32.41	<b>32.61</b>	32.45	<b>31.92</b>	31.45	31.36
GPRS (GMSK, 1Tx-slot)	32.40	32.43	32.60	31.88	31.37	31.24
GPRS (GMSK, 2Tx-slot)	31.02	30.84	30.81	30.92	30.57	30.44
GPRS (GMSK, 3Tx-slot)	29.61	29.68	29.75	28.60	28.08	27.95
GPRS (GMSK, 4Tx-slot)	28.51	28.53	28.47	27.26	26.74	26.61
EDGE (8PSK, 1Tx-slot)	26.11	26.15	26.31	27.01	26.72	26.53
EDGE (8PSK, 2Tx-slot)	24.60	24.64	24.80	26.23	25.96	26.13
EDGE (8PSK, 3Tx-slot)	23.42	23.46	23.62	24.95	24.68	24.85
EDGE (8PSK, 4Tx-slot)	22.14	22.18	22.34	23.64	23.37	23.54
DTM (GMSK, 2Tx-slot)	30.31	30.43	30.39	30.79	30.27	30.14
DTM (GMSK, 3Tx-slot)	29.49	29.59	29.65	28.50	27.98	27.85
DTM (8PSK, 2Tx-slot)	24.18	24.22	24.38	26.91	26.64	26.81
DTM (8PSK, 3Tx-slot)	23.22	23.26	23.42	26.78	26.51	26.68

Band	CDMA BC0			CDMA BC1		
Channel	1013	384	777	25	600	1175
Frequency (MHz)	824.70	836.52	848.31	1851.25	1880.00	1908.75
1xRTT RC1+SO55	23.47	23.37	23.33	23.39	23.73	23.61
1xRTT RC3+SO55	<b>23.59</b>	23.49	23.45	23.43	23.79	23.67
1xRTT RC3+SO32 (FCH)	23.57	23.47	23.43	23.36	23.71	23.57
1xRTT RC3+SO32 (SCH)	23.56	23.46	23.42	23.41	23.78	23.60
RC1+SO3, 1/8 Rate	23.49	23.39	23.35	23.38	23.76	23.56
1xEVDO Rev.0 RTAP 153.6	23.58	23.48	23.44	24.06	<b>24.30</b>	24.02
1xEVDO Rev.A RETAP 4096	23.51	23.41	23.37	24.02	24.23	24.01



# FCC SAR Test Report

LTE Band / BW	RB Size	RB Offset	QPSK			3GPP MPR (dB)	16QAM			3GPP MPR (dB)
			Low CH 18607	Mid CH 18900	High CH 19193		Low CH 18607	Mid CH 18900	High CH 19193	
			1850.7 MHz	1880.0 MHz	1909.3 MHz		1850.7 MHz	1880.0 MHz	1909.3 MHz	
2 / 1.4M	1	0	22.59	22.80	22.72	0	21.53	21.74	21.66	1
	1	2	22.57	22.78	22.70	0	21.51	21.72	21.64	1
	1	5	22.35	22.56	22.48	0	21.29	21.50	21.42	1
	3	0	22.14	22.35	22.27	0	21.08	21.29	21.21	1
	3	1	22.08	22.29	22.21	0	21.02	21.23	21.15	1
	3	3	22.07	22.28	22.20	0	21.01	21.22	21.14	1
	6	0	21.29	21.50	21.42	1	20.23	20.44	20.36	2

LTE Band / BW	RB Size	RB Offset	QPSK			3GPP MPR (dB)	16QAM			3GPP MPR (dB)
			Low CH 18615	Mid CH 18900	High CH 19185		Low CH 18615	Mid CH 18900	High CH 19185	
			1851.5 MHz	1880.0 MHz	1908.5 MHz		1851.5 MHz	1880.0 MHz	1908.5 MHz	
2 / 3M	1	0	22.67	22.88	22.80	0	21.61	21.82	21.74	1
	1	7	22.65	22.86	22.78	0	21.59	21.80	21.72	1
	1	14	22.43	22.64	22.56	0	21.37	21.58	21.50	1
	8	0	21.47	21.68	21.60	1	20.41	20.62	20.54	2
	8	3	21.41	21.62	21.54	1	20.35	20.56	20.48	2
	8	7	21.40	21.61	21.53	1	20.34	20.55	20.47	2
	15	0	21.37	21.58	21.50	1	20.31	20.52	20.44	2

LTE Band / BW	RB Size	RB Offset	QPSK			3GPP MPR (dB)	16QAM			3GPP MPR (dB)
			Low CH 18625	Mid CH 18900	High CH 19175		Low CH 18625	Mid CH 18900	High CH 19175	
			1852.5 MHz	1880.0 MHz	1907.5 MHz		1852.5 MHz	1880.0 MHz	1907.5 MHz	
2 / 5M	1	0	22.78	22.99	22.91	0	21.72	21.93	21.85	1
	1	12	22.76	22.97	22.89	0	21.70	21.91	21.83	1
	1	24	22.54	22.75	22.67	0	21.48	21.69	21.61	1
	12	0	21.58	21.79	21.71	1	20.52	20.73	20.65	2
	12	6	21.52	21.73	21.65	1	20.46	20.67	20.59	2
	12	13	21.51	21.72	21.64	1	20.45	20.66	20.58	2
	25	0	21.48	21.69	21.61	1	20.42	20.63	20.55	2

LTE Band / BW	RB Size	RB Offset	QPSK			3GPP MPR (dB)	16QAM			3GPP MPR (dB)
			Low CH 18650	Mid CH 18900	High CH 19150		Low CH 18650	Mid CH 18900	High CH 19150	
			1855.0 MHz	1880.0 MHz	1905.0 MHz		1855.0 MHz	1880.0 MHz	1905.0 MHz	
2 / 10M	1	0	22.91	23.12	23.04	0	21.85	22.06	21.98	1
	1	24	22.89	23.10	23.02	0	21.83	22.04	21.96	1
	1	49	22.67	22.88	22.80	0	21.61	21.82	21.74	1
	25	0	21.71	21.92	21.84	1	20.65	20.86	20.78	2
	25	12	21.65	21.86	21.78	1	20.59	20.80	20.72	2
	25	25	21.64	21.85	21.77	1	20.58	20.79	20.71	2
	50	0	21.61	21.82	21.74	1	20.55	20.76	20.68	2

# FCC SAR Test Report

LTE Band / BW	RB Size	RB Offset	QPSK			3GPP MPR (dB)	16QAM			3GPP MPR (dB)
			Low CH 18675	Mid CH 18900	High CH 19125		Low CH 18675	Mid CH 18900	High CH 19125	
			1857.5 MHz	1880.0 MHz	1902.5 MHz		1857.5 MHz	1880.0 MHz	1902.5 MHz	
2 / 15M	1	0	23.00	23.21	23.13	0	21.94	22.15	22.07	1
	1	37	22.98	23.19	23.11	0	21.92	22.13	22.05	1
	1	74	22.76	22.97	22.89	0	21.70	21.91	21.83	1
	36	0	21.80	22.01	21.93	1	20.74	20.95	20.87	2
	36	19	21.74	21.95	21.87	1	20.68	20.89	20.81	2
	36	39	21.73	21.94	21.86	1	20.67	20.88	20.80	2
	75	0	21.70	21.91	21.83	1	20.64	20.85	20.77	2

LTE Band / BW	RB Size	RB Offset	QPSK			3GPP MPR (dB)	16QAM			3GPP MPR (dB)
			Low CH 18700	Mid CH 18900	High CH 19100		Low CH 18700	Mid CH 18900	High CH 19100	
			1860.0 MHz	1880.0 MHz	1900.0 MHz		1860.0 MHz	1880.0 MHz	1900.0 MHz	
2 / 20M	1	0	23.12	23.33	23.25	0	22.06	22.27	22.19	1
	1	50	23.10	23.31	23.23	0	22.04	22.25	22.17	1
	1	99	22.88	23.09	23.01	0	21.82	22.03	21.95	1
	50	0	21.92	22.13	22.05	1	20.86	21.07	20.99	2
	50	25	21.86	22.07	21.99	1	20.80	21.01	20.93	2
	50	50	21.85	22.06	21.98	1	20.79	21.00	20.92	2
	100	0	21.82	22.03	21.95	1	20.76	20.97	20.89	2

LTE Band / BW	RB Size	RB Offset	QPSK			3GPP MPR (dB)	16QAM			3GPP MPR (dB)
			Low CH 19957	Mid CH 20175	High CH 20393		Low CH 19957	Mid CH 20175	High CH 20393	
			1710.7 MHz	1732.5 MHz	1754.3 MHz		1710.7 MHz	1732.5 MHz	1754.3 MHz	
4 / 1.4M	1	0	22.38	22.14	22.17	0	21.32	21.08	21.11	1
	1	2	22.13	21.89	21.92	0	21.07	20.83	20.86	1
	1	5	21.96	21.72	21.75	0	20.90	20.66	20.69	1
	3	0	22.25	22.01	22.04	0	21.19	20.95	20.98	1
	3	1	22.14	21.90	21.93	0	21.08	20.84	20.87	1
	3	3	22.20	21.96	21.99	0	21.14	20.90	20.93	1
	6	0	21.07	20.83	20.86	1	20.01	19.77	19.80	2

LTE Band / BW	RB Size	RB Offset	QPSK			3GPP MPR (dB)	16QAM			3GPP MPR (dB)
			Low CH 19965	Mid CH 20175	High CH 20385		Low CH 19965	Mid CH 20175	High CH 20385	
			1711.5 MHz	1732.5 MHz	1753.5 MHz		1711.5 MHz	1732.5 MHz	1753.5 MHz	
4 / 3M	1	0	22.45	22.21	22.24	0	21.39	21.15	21.18	1
	1	7	22.20	21.96	21.99	0	21.14	20.90	20.93	1
	1	14	22.03	21.79	21.82	0	20.97	20.73	20.76	1
	8	0	21.17	20.93	20.96	1	20.11	19.87	19.90	2
	8	3	21.06	20.82	20.85	1	20.00	19.76	19.79	2
	8	7	21.12	20.88	20.91	1	20.06	19.82	19.85	2
	15	0	21.14	20.90	20.93	1	20.08	19.84	19.87	2

# FCC SAR Test Report

LTE Band / BW	RB Size	RB Offset	QPSK			3GPP MPR (dB)	16QAM			3GPP MPR (dB)
			Low CH 19975	Mid CH 20175	High CH 20375		Low CH 19975	Mid CH 20175	High CH 20375	
			1712.5 MHz	1732.5 MHz	1752.5 MHz		1712.5 MHz	1732.5 MHz	1752.5 MHz	
4 / 5M	1	0	22.54	22.30	22.33	0	21.48	21.24	21.27	1
	1	12	22.29	22.05	22.08	0	21.23	20.99	21.02	1
	1	24	22.12	21.88	21.91	0	21.06	20.82	20.85	1
	12	0	21.26	21.02	21.05	1	20.20	19.96	19.99	2
	12	6	21.15	20.91	20.94	1	20.09	19.85	19.88	2
	12	13	21.21	20.97	21.00	1	20.15	19.91	19.94	2
	25	0	21.23	20.99	21.02	1	20.17	19.93	19.96	2

LTE Band / BW	RB Size	RB Offset	QPSK			3GPP MPR (dB)	16QAM			3GPP MPR (dB)
			Low CH 20000	Mid CH 20175	High CH 20350		Low CH 20000	Mid CH 20175	High CH 20350	
			1715.0 MHz	1732.5 MHz	1750.0 MHz		1715.0 MHz	1732.5 MHz	1750.0 MHz	
4 / 10M	1	0	22.66	22.42	22.45	0	21.60	21.36	21.39	1
	1	24	22.41	22.17	22.20	0	21.35	21.11	21.14	1
	1	49	22.24	22.00	22.03	0	21.18	20.94	20.97	1
	25	0	21.38	21.14	21.17	1	20.32	20.08	20.11	2
	25	12	21.27	21.03	21.06	1	20.21	19.97	20.00	2
	25	25	21.33	21.09	21.12	1	20.27	20.03	20.06	2
	50	0	21.35	21.11	21.14	1	20.29	20.05	20.08	2

LTE Band / BW	RB Size	RB Offset	QPSK			3GPP MPR (dB)	16QAM			3GPP MPR (dB)
			Low CH 20025	Mid CH 20175	High CH 20325		Low CH 20025	Mid CH 20175	High CH 20325	
			1717.5 MHz	1732.5 MHz	1747.5 MHz		1717.5 MHz	1732.5 MHz	1747.5 MHz	
4 / 15M	1	0	22.75	22.51	22.54	0	21.69	21.45	21.48	1
	1	37	22.50	22.26	22.29	0	21.44	21.20	21.23	1
	1	74	22.33	22.09	22.12	0	21.27	21.03	21.06	1
	36	0	21.47	21.23	21.26	1	20.41	20.17	20.20	2
	36	19	21.36	21.12	21.15	1	20.30	20.06	20.09	2
	36	39	21.42	21.18	21.21	1	20.36	20.12	20.15	2
	75	0	21.44	21.20	21.23	1	20.38	20.14	20.17	2

LTE Band / BW	RB Size	RB Offset	QPSK			3GPP MPR (dB)	16QAM			3GPP MPR (dB)
			Low CH 20050	Mid CH 20175	High CH 20300		Low CH 20050	Mid CH 20175	High CH 20300	
			1720.0 MHz	1732.5 MHz	1745.0 MHz		1720.0 MHz	1732.5 MHz	1745.0 MHz	
4 / 20M	1	0	<b>22.88</b>	22.64	22.67	0	21.82	21.58	21.61	1
	1	50	22.63	22.39	22.42	0	21.57	21.33	21.36	1
	1	99	22.46	22.22	22.25	0	21.40	21.16	21.19	1
	50	0	21.60	21.36	21.39	1	20.54	20.30	20.33	2
	50	25	21.49	21.25	21.28	1	20.43	20.19	20.22	2
	50	50	21.55	21.31	21.34	1	20.49	20.25	20.28	2
	100	0	21.57	21.33	21.36	1	20.51	20.27	20.30	2

# FCC SAR Test Report

LTE Band / BW	RB Size	RB Offset	QPSK			3GPP MPR (dB)	16QAM			3GPP MPR (dB)
			Low CH 20407	Mid CH 20525	High CH 20643		Low CH 20407	Mid CH 20525	High CH 20643	
			824.7 MHz	836.5 MHz	848.3 MHz		824.7 MHz	836.5 MHz	848.3 MHz	
5 / 1.4M	1	0	22.33	22.52	22.46	0	21.30	21.49	21.43	1
	1	2	22.21	22.40	22.34	0	21.18	21.37	21.31	1
	1	5	22.13	22.32	22.26	0	21.10	21.29	21.23	1
	3	0	22.32	22.51	22.45	0	21.14	21.33	21.27	1
	3	1	22.24	22.43	22.37	0	21.06	21.25	21.19	1
	3	3	22.18	22.37	22.31	0	21.01	21.19	21.13	1
	6	0	21.07	21.26	21.20	1	20.04	20.23	20.17	2

LTE Band / BW	RB Size	RB Offset	QPSK			3GPP MPR (dB)	16QAM			3GPP MPR (dB)
			Low CH 20415	Mid CH 20525	High CH 20635		Low CH 20415	Mid CH 20525	High CH 20635	
			825.5 MHz	836.5 MHz	847.5 MHz		825.5 MHz	836.5 MHz	847.5 MHz	
5 / 3M	1	0	22.44	22.63	22.57	0	21.41	21.60	21.54	1
	1	7	22.32	22.51	22.45	0	21.29	21.48	21.42	1
	1	14	22.24	22.43	22.37	0	21.21	21.40	21.34	1
	8	0	21.28	21.47	21.41	1	20.25	20.44	20.38	2
	8	3	21.20	21.39	21.33	1	20.17	20.36	20.30	2
	8	7	21.14	21.33	21.27	1	20.11	20.30	20.24	2
	15	0	21.18	21.37	21.31	1	20.15	20.34	20.28	2

LTE Band / BW	RB Size	RB Offset	QPSK			3GPP MPR (dB)	16QAM			3GPP MPR (dB)
			Low CH 20425	Mid CH 20525	High CH 20625		Low CH 20425	Mid CH 20525	High CH 20625	
			826.5 MHz	836.5 MHz	846.5 MHz		826.5 MHz	836.5 MHz	846.5 MHz	
5 / 5M	1	0	22.52	22.71	22.65	0	21.49	21.68	21.62	1
	1	12	22.40	22.59	22.53	0	21.37	21.56	21.50	1
	1	24	22.32	22.51	22.45	0	21.29	21.48	21.42	1
	12	0	21.36	21.55	21.49	1	20.33	20.52	20.46	2
	12	6	21.28	21.47	21.41	1	20.25	20.44	20.38	2
	12	13	21.22	21.41	21.35	1	20.19	20.38	20.32	2
	25	0	21.26	21.45	21.39	1	20.23	20.42	20.36	2

LTE Band / BW	RB Size	RB Offset	QPSK			3GPP MPR (dB)	16QAM			3GPP MPR (dB)
			Low CH 20450	Mid CH 20525	High CH 20600		Low CH 20450	Mid CH 20525	High CH 20600	
			829.0 MHz	836.5 MHz	844.0 MHz		829.0 MHz	836.5 MHz	844.0 MHz	
5 / 10M	1	0	22.64	22.83	22.77	0	21.61	21.80	21.74	1
	1	24	22.52	22.71	22.65	0	21.49	21.68	21.62	1
	1	49	22.44	22.63	22.57	0	21.41	21.60	21.54	1
	25	0	21.48	21.67	21.61	1	20.45	20.64	20.58	2
	25	12	21.40	21.59	21.53	1	20.37	20.56	20.50	2
	25	25	21.34	21.53	21.47	1	20.31	20.50	20.44	2
	50	0	21.38	21.57	21.51	1	20.35	20.54	20.48	2

# FCC SAR Test Report

LTE Band / BW	RB Size	RB Offset	QPSK			3GPP MPR (dB)	16QAM			3GPP MPR (dB)
			Low CH 23205	Mid CH 23230	High CH 23255		Low CH 23205	Mid CH 23230	High CH 23255	
			779.5 MHz	782.0 MHz	784.5 MHz		779.5 MHz	782.0 MHz	784.5 MHz	
13 / 5M	1	0	22.11	22.29	22.19	0	21.05	21.23	21.13	1
	1	12	22.03	22.21	22.11	0	20.97	21.15	21.05	1
	1	24	22.00	22.18	22.08	0	20.94	21.12	21.02	1
	12	0	21.01	21.19	21.09	1	19.95	20.13	20.03	2
	12	6	20.93	21.11	21.01	1	19.87	20.05	19.95	2
	12	13	20.91	21.09	20.99	1	19.85	20.03	19.93	2
	25	0	21.06	21.24	21.14	1	20.00	20.18	20.08	2

LTE Band / BW	RB Size	RB Offset	QPSK	3GPP MPR (dB)	16QAM	3GPP MPR (dB)
			Mid CH 23230		Mid CH 23230	
			782.0 MHz		782.0 MHz	
13 / 10M	1	0	22.32	0	21.27	1
	1	24	22.25	0	21.20	1
	1	49	22.22	0	21.17	1
	25	0	21.23	1	20.18	2
	25	12	21.15	1	20.10	2
	25	25	21.13	1	20.08	2
	50	0	21.28	1	20.23	2

## <WLAN 2.4G>

Mode	802.11b		
Channel / Frequency (MHz)	1 (2412)	6 (2437)	11 (2462)
Average Power	17.51	18.70	18.18

## <WLAN 5.3G>

Mode	802.11a			
Channel / Frequency (MHz)	52 (5260)	56 (5280)	60 (5300)	64 (5320)
Average Power	16.96	16.90	16.87	16.84

## <WLAN 5.6G>

Mode	802.11a			
Channel / Frequency (MHz)	100 (5500)	116 (5580)	132 (5660)	140 (5700)
Average Power	16.07	17.33	16.86	16.32

## <WLAN 5.8G>

Mode	802.11a		
Channel / Frequency (MHz)	149 (5745)	157 (5785)	165 (5825)
Average Power	16.62	16.54	16.52

## <Bluetooth>

Mode	Bluetooth		
Channel / Frequency (MHz)	0 (2402)	39 (2441)	78 (2480)
Average Power	9.35	8.62	9.21

## 4.7 SAR Testing Results

### 4.7.1 SAR Test Reduction Considerations

#### <KDB 447498 D01, General RF Exposure Guidance>

Testing of other required channels within the operating mode of a frequency band is not required when the reported SAR for the mid-band or highest output power channel is:

- (1)  $\leq 0.8$  W/kg or 2.0 W/kg, for 1-g or 10-g respectively, when the transmission band is  $\leq 100$  MHz
- (2)  $\leq 0.6$  W/kg or 1.5 W/kg, for 1-g or 10-g respectively, when the transmission band is between 100 MHz and 200 MHz
- (3)  $\leq 0.4$  W/kg or 1.0 W/kg, for 1-g or 10-g respectively, when the transmission band is  $\geq 200$  MHz

#### <KDB 941225 D01, 3G SAR Measurement Procedures>

The mode tested for SAR is referred to as the primary mode. The equivalent modes considered for SAR test reduction are denoted as secondary modes. Both primary and secondary modes must be in the same frequency band. When the maximum output power and tune-up tolerance specified for production units in a secondary mode is  $\leq 1/4$  dB higher than the primary mode or when the highest reported SAR of the primary mode is scaled by the ratio of specified maximum output power and tune-up tolerance of secondary to primary mode and the adjusted SAR is  $\leq 1.2$  W/kg, SAR measurement is not required for the secondary mode.

#### <KDB 941225 D05, SAR Evaluation Considerations for LTE Devices>

##### (1) QPSK with 1 RB and 50% RB allocation

Start with the largest channel bandwidth and measure SAR, using the RB offset and required test channel combination with the highest maximum output power among RB offsets at the upper edge, middle and lower edge of each required test channel. When the reported SAR is  $\leq 0.8$  W/kg, testing of the remaining RB offset configurations and required test channels is not required; otherwise, SAR is required for the remaining required test channels and only for the RB offset configuration with the highest output power for that channel. When the reported SAR of a required test channel is  $> 1.45$  W/kg, SAR is required for all three RB offset configurations for that required test channel.

##### (2) QPSK with 100% RB allocation

SAR is not required when the highest maximum output power for 100% RB allocation is less than the highest maximum output power in 50% and 1 RB allocations and the highest reported SAR for 1 RB and 50% RB allocation are  $\leq 0.8$  W/kg. Otherwise, SAR is measured for the highest output power channel; and if the reported SAR is  $> 1.45$  W/kg, the remaining required test channels must also be tested.

##### (3) Higher order modulations

SAR is required only when the highest maximum output power for the configuration in the higher order modulation is  $> 1/2$  dB higher than the same configuration in QPSK or when the reported SAR for the QPSK configuration is  $> 1.45$  W/kg.

##### (4) Other channel bandwidth

SAR is required when the highest maximum output power of the smaller channel bandwidth is  $> 1/2$  dB higher than the equivalent channel configurations in the largest channel bandwidth configuration or the reported SAR of a configuration for the largest channel bandwidth is  $> 1.45$  W/kg.

## FCC SAR Test Report

### <KDB 248227 D01, SAR Guidance for Wi-Fi Transmitters>

- (1) For handsets operating next to ear, hotspot mode or mini-tablet configurations, the initial test position procedures were applied. The test position with the highest extrapolated peak SAR will be used as the initial test position. When the reported SAR of initial test position is  $\leq 0.4$  W/kg, SAR testing for remaining test positions is not required. Otherwise, SAR is evaluated at the subsequent highest peak SAR positions until the reported SAR result is  $\leq 0.8$  W/kg or all test positions are measured.
- (2) For WLAN 2.4 GHz, the highest measured maximum output power channel for DSSS was selected for SAR measurement. When the reported SAR is  $\leq 0.8$  W/kg, no further SAR testing is required. Otherwise, SAR is evaluated at the next highest measured output power channel. When any reported SAR is  $> 1.2$  W/kg, SAR is required for the third channel. For OFDM modes (802.11g/n), SAR is not required when the highest reported SAR for DSSS is adjusted by the ratio of OFDM to DSSS specified maximum output power and it is  $\leq 1.2$  W/kg.
- (3) For WLAN 5 GHz, the initial test configuration was selected according to the transmission mode with the highest maximum output power. When the reported SAR of initial test configuration is  $> 0.8$  W/kg, SAR is required for the subsequent highest measured output power channel until the reported SAR result is  $\leq 1.2$  W/kg or all required channels are measured. For other transmission modes, SAR is not required when the highest reported SAR for initial test configuration is adjusted by the ratio of subsequent test configuration to initial test configuration specified maximum output power and it is  $\leq 1.2$  W/kg.

### 4.7.2 SAR Results for Head Exposure Condition

Plot No.	Band	Mode	Test Position	Ch.	Max. Tune-up Power (dBm)	Measured Conducted Power (dBm)	Scaling Factor	Power Drift (dB)	Measured SAR-1g (W/kg)	Scaled SAR-1g (W/kg)
	GSM850	GSM	Right Cheek	189	33.0	32.61	1.09	0.07	0.419	0.46
	GSM850	GSM	Right Tilted	189	33.0	32.61	1.09	-0.04	0.232	0.25
01	GSM850	GSM	Left Cheek	189	33.0	32.61	1.09	-0.04	0.478	0.52
	GSM850	GSM	Left Tilted	189	33.0	32.61	1.09	0.01	0.224	0.25
02	GSM1900	GSM	Right Cheek	512	32.0	31.92	1.02	0.11	0.242	0.25
	GSM1900	GSM	Right Tilted	512	32.0	31.92	1.02	0.16	0.057	0.06
	GSM1900	GSM	Left Cheek	512	32.0	31.92	1.02	0.18	0.089	0.09
	GSM1900	GSM	Left Tilted	512	32.0	31.92	1.02	-0.01	0.061	0.06
	CDMA BC0	RC3+SO55	Right Cheek	1013	24.0	23.59	1.10	0.04	0.361	0.40
	CDMA BC0	RC3+SO55	Right Tilted	1013	24.0	23.59	1.10	-0.08	0.244	0.27
03	CDMA BC0	RC3+SO55	Left Cheek	1013	24.0	23.59	1.10	-0.03	0.460	0.51
	CDMA BC0	RC3+SO55	Left Tilted	1013	24.0	23.59	1.10	0.03	0.242	0.27
04	CDMA BC1	RC3+SO55	Right Cheek	600	24.5	23.79	1.18	0.09	0.366	0.43
	CDMA BC1	RC3+SO55	Right Tilted	600	24.5	23.79	1.18	0.13	0.086	0.10
	CDMA BC1	RC3+SO55	Left Cheek	600	24.5	23.79	1.18	0.09	0.157	0.18
	CDMA BC1	RC3+SO55	Left Tilted	600	24.5	23.79	1.18	0.14	0.092	0.11

# FCC SAR Test Report

Plot No.	Band	Mode	Test Position	Ch.	RB#	RB Offset	Max. Tune-up Power (dBm)	Measured Conducted Power (dBm)	Scaling Factor	Power Drift (dB)	Measured SAR-1g (W/kg)	Scaled SAR-1g (W/kg)
05	LTE 2	QPSK20M	Right Cheek	18900	1	0	23.5	23.33	1.04	0	0.283	0.29
	LTE 2	QPSK20M	Right Cheek	18900	50	0	22.5	22.13	1.09	0.15	0.226	0.25
	LTE 2	QPSK20M	Right Tilted	18900	1	0	23.5	23.33	1.04	0.18	0.075	0.08
	LTE 2	QPSK20M	Right Tilted	18900	50	0	22.5	22.13	1.09	0.15	0.07	0.08
	LTE 2	QPSK20M	Left Cheek	18900	1	0	23.5	23.33	1.04	0.13	0.135	0.14
	LTE 2	QPSK20M	Left Cheek	18900	50	0	22.5	22.13	1.09	0.02	0.101	0.11
	LTE 2	QPSK20M	Left Tilted	18900	1	0	23.5	23.33	1.04	0.12	0.094	0.10
	LTE 2	QPSK20M	Left Tilted	18900	50	0	22.5	22.13	1.09	0.15	0.075	0.08
06	LTE 4	QPSK20M	Right Cheek	20050	1	0	23.0	22.88	1.03	0.16	0.304	0.31
	LTE 4	QPSK20M	Right Cheek	20050	50	0	22.0	21.60	1.10	0.13	0.242	0.27
	LTE 4	QPSK20M	Right Tilted	20050	1	0	23.0	22.88	1.03	0.13	0.168	0.17
	LTE 4	QPSK20M	Right Tilted	20050	50	0	22.0	21.60	1.10	0.11	0.136	0.15
	LTE 4	QPSK20M	Left Cheek	20050	1	0	23.0	22.88	1.03	-0.03	0.152	0.16
	LTE 4	QPSK20M	Left Cheek	20050	50	0	22.0	21.60	1.10	0.15	0.118	0.13
	LTE 4	QPSK20M	Left Tilted	20050	1	0	23.0	22.88	1.03	0.1	0.127	0.13
	LTE 4	QPSK20M	Left Tilted	20050	50	0	22.0	21.60	1.10	0.07	0.095	0.10
	LTE 5	QPSK10M	Right Cheek	20525	1	0	23.0	22.83	1.04	0.1	0.233	0.24
	LTE 5	QPSK10M	Right Cheek	20525	25	0	22.0	21.67	1.08	0.08	0.187	0.20
	LTE 5	QPSK10M	Right Tilted	20525	1	0	23.0	22.83	1.04	0.1	0.127	0.13
	LTE 5	QPSK10M	Right Tilted	20525	25	0	22.0	21.67	1.08	0.07	0.101	0.11
07	LTE 5	QPSK10M	Left Cheek	20525	1	0	23.0	22.83	1.04	0.08	0.285	0.30
	LTE 5	QPSK10M	Left Cheek	20525	25	0	22.0	21.67	1.08	0.12	0.23	0.25
	LTE 5	QPSK10M	Left Tilted	20525	1	0	23.0	22.83	1.04	0.1	0.124	0.13
	LTE 5	QPSK10M	Left Tilted	20525	25	0	22.0	21.67	1.08	0.15	0.1	0.11
	LTE 13	QPSK10M	Right Cheek	23230	1	0	22.5	22.32	1.04	0.17	0.295	0.31
	LTE 13	QPSK10M	Right Cheek	23230	25	0	21.5	21.23	1.06	0.17	0.239	0.25
	LTE 13	QPSK10M	Right Tilted	23230	1	0	22.5	22.32	1.04	-0.15	0.186	0.19
	LTE 13	QPSK10M	Right Tilted	23230	25	0	21.5	21.23	1.06	0.11	0.154	0.16
08	LTE 13	QPSK10M	Left Cheek	23230	1	0	22.5	22.32	1.04	0.04	0.34	0.35
	LTE 13	QPSK10M	Left Cheek	23230	25	0	21.5	21.23	1.06	0.16	0.272	0.29
	LTE 13	QPSK10M	Left Tilted	23230	1	0	22.5	22.32	1.04	0.19	0.157	0.16
	LTE 13	QPSK10M	Left Tilted	23230	25	0	21.5	21.23	1.06	0.00	0.126	0.13

Plot No.	Band	Mode	Test Position	Ch.	Max. Tune-up Power (dBm)	Measured Conducted Power (dBm)	Scaling Factor	Power Drift (dB)	Measured SAR-1g (W/kg)	Scaled SAR-1g (W/kg)
	2.4G WLAN	802.11b	Right Cheek	6	19.0	18.70	1.07	0.13	0.247	0.26
	2.4G WLAN	802.11b	Right Tilted	6	19.0	18.70	1.07	0.13	0.068	0.07
09	2.4G WLAN	802.11b	Left Cheek	6	19.0	18.70	1.07	0.17	0.274	0.29
	2.4G WLAN	802.11b	Left Tilted	6	19.0	18.70	1.07	0.18	0.061	0.07
	5.3G WLAN	802.11a	Right Cheek	52	17.5	16.96	1.13	-0.11	0.06	0.07
	5.3G WLAN	802.11a	Right Tilted	52	17.5	16.96	1.13	0	0.00832	0.01
10	5.3G WLAN	802.11a	Left Cheek	52	17.5	16.96	1.13	-0.18	0.125	0.14
	5.3G WLAN	802.11a	Left Tilted	52	17.5	16.96	1.13	0	0.033	0.04
	5.6G WLAN	802.11a	Right Cheek	116	17.5	17.33	1.04	-0.16	0.112	0.12
	5.6G WLAN	802.11a	Right Tilted	116	17.5	17.33	1.04	-0.12	0.033	0.03
11	5.6G WLAN	802.11a	Left Cheek	116	17.5	17.33	1.04	0.05	0.132	0.14
	5.6G WLAN	802.11a	Left Tilted	116	17.5	17.33	1.04	0.05	0.044	0.05
	5.8G WLAN	802.11a	Right Cheek	149	17.0	16.62	1.09	0.00	0.063	0.07
	5.8G WLAN	802.11a	Right Tilted	149	17.0	16.62	1.09	0.07	0.017	0.02
12	5.8G WLAN	802.11a	Left Cheek	149	17.0	16.62	1.09	-0.12	0.09	0.10
	5.8G WLAN	802.11a	Left Tilted	149	17.0	16.62	1.09	0.00	0.027	0.03



# FCC SAR Test Report

## 4.7.3 SAR Results for Body-worn Exposure Condition (Separation Distance is 1.0 cm Gap)

Plot No.	Band	Mode	Test Position	Ch.	Max. Tune-up Power (dBm)	Measured Conducted Power (dBm)	Scaling Factor	Power Drift (dB)	Measured SAR-1g (W/kg)	Scaled SAR-1g (W/kg)
13	GSM850	GPRS12	Front Face	189	29.0	28.53	1.11	-0.02	0.582	0.65
	GSM850	GPRS12	Rear Face	189	29.0	28.53	1.11	0.01	0.626	0.70
14	GSM1900	GPRS10	Front Face	512	31.0	30.92	1.02	-0.07	0.482	0.49
	GSM1900	GPRS10	Rear Face	512	31.0	30.92	1.02	-0.07	0.859	0.87
	GSM1900	GPRS10	Rear Face	661	31.0	30.57	1.10	0.01	0.800	0.88
	GSM1900	GPRS10	Rear Face	810	31.0	30.44	1.14	-0.03	0.988	1.12
	GSM1900	GPRS10	Rear Face	810	31.0	30.44	1.14	0.01	0.974	1.11
15	CDMA BC0	RTAP 153.6	Front Face	1013	24.0	23.58	1.10	-0.02	0.377	0.42
	CDMA BC0	RTAP 153.6	Rear Face	1013	24.0	23.58	1.10	-0.09	0.585	0.64
16	CDMA BC1	RTAP 153.6	Front Face	600	24.5	24.30	1.05	-0.04	0.567	0.59
	CDMA BC1	RTAP 153.6	Rear Face	600	24.5	24.30	1.05	-0.13	0.923	0.97
	CDMA BC1	RTAP 153.6	Rear Face	25	24.5	24.06	1.11	-0.03	0.893	0.99
	CDMA BC1	RTAP 153.6	Rear Face	1175	24.5	24.02	1.12	0.02	0.983	1.10
	CDMA BC1	RTAP 153.6	Rear Face	1175	24.5	24.02	1.12	0.04	0.965	1.08

Plot No.	Band	Mode	Test Position	Ch.	RB#	RB Offset	Max. Tune-up Power (dBm)	Measured Conducted Power (dBm)	Scaling Factor	Power Drift (dB)	Measured SAR-1g (W/kg)	Scaled SAR-1g (W/kg)
17	LTE 2	QPSK20M	Front Face	18900	1	0	23.5	23.33	1.04	-0.18	0.51	0.53
	LTE 2	QPSK20M	Front Face	18900	50	0	22.5	22.13	1.09	-0.09	0.474	0.52
	LTE 2	QPSK20M	Rear Face	18900	1	0	23.5	23.33	1.04	-0.13	0.584	0.61
	LTE 2	QPSK20M	Rear Face	18900	50	0	22.5	22.13	1.09	-0.16	0.55	0.60
18	LTE 4	QPSK20M	Front Face	20050	1	0	23.0	22.88	1.03	-0.03	0.487	0.50
	LTE 4	QPSK20M	Front Face	20050	50	0	22.0	21.60	1.10	0.03	0.383	0.42
	LTE 4	QPSK20M	Rear Face	20050	1	0	23.0	22.88	1.03	0.02	0.901	0.93
	LTE 4	QPSK20M	Rear Face	20050	1	0	23.0	22.88	1.03	0.07	0.882	0.91
	LTE 4	QPSK20M	Rear Face	20175	1	0	23.0	22.64	1.09	0.08	0.760	0.83
	LTE 4	QPSK20M	Rear Face	20300	1	0	23.0	22.67	1.08	0.08	0.824	0.89
	LTE 4	QPSK20M	Rear Face	20050	50	0	22.0	21.60	1.10	-0.09	0.591	0.65
	LTE 4	QPSK20M	Rear Face	20050	100	0	22.0	21.57	1.10	0.12	0.572	0.63
19	LTE 5	QPSK10M	Front Face	20525	1	0	23.0	22.83	1.04	0.13	0.396	0.41
	LTE 5	QPSK10M	Front Face	20525	25	0	22.0	21.67	1.08	0.03	0.322	0.35
	LTE 5	QPSK10M	Rear Face	20525	1	0	23.0	22.83	1.04	-0.02	0.452	0.47
	LTE 5	QPSK10M	Rear Face	20525	25	0	22.0	21.67	1.08	0.09	0.379	0.41
20	LTE 13	QPSK10M	Front Face	23230	1	0	22.5	22.32	1.04	-0.07	0.334	0.35
	LTE 13	QPSK10M	Front Face	23230	25	0	21.5	21.23	1.06	-0.01	0.262	0.28
	LTE 13	QPSK10M	Rear Face	23230	1	0	22.5	22.32	1.04	-0.02	0.328	0.34
	LTE 13	QPSK10M	Rear Face	23230	25	0	21.5	21.23	1.06	-0.05	0.269	0.29

# FCC SAR Test Report

Plot No.	Band	Mode	Test Position	Ch.	Max. Tune-up Power (dBm)	Measured Conducted Power (dBm)	Scaling Factor	Power Drift (dB)	Measured SAR-1g (W/kg)	Scaled SAR-1g (W/kg)
21	2.4G WLAN	802.11b	Front Face	6	19.0	18.70	1.07	0.01	0.068	0.07
	2.4G WLAN	802.11b	Rear Face	6	19.0	18.70	1.07	0.07	0.358	<b>0.38</b>
22	5.3G WLAN	802.11a	Front Face	52	17.5	16.96	1.13	0.01	0.037	0.04
	5.3G WLAN	802.11a	Rear Face	52	17.5	16.96	1.13	0.00	1.05	<b>1.19</b>
	5.3G WLAN	802.11a	Rear Face	52	17.5	16.96	1.13	0.03	0.96	1.09
	5.3G WLAN	802.11a	Rear Face	56	17.5	16.90	1.15		1.03	1.18
23	5.6G WLAN	802.11a	Front Face	116	17.5	17.33	1.04	0.01	0.053	0.06
	5.6G WLAN	802.11a	Rear Face	116	17.5	17.33	1.04	0.03	1.13	<b>1.18</b>
	5.6G WLAN	802.11a	Rear Face	116	17.5	17.33	1.04	0.02	1.08	1.12
	5.6G WLAN	802.11a	Rear Face	132	17.5	16.86	1.16	0.03	1.02	1.18
	5.8G WLAN	802.11a	Front Face	149	17.0	16.62	1.09	0.01	0.046	0.05
24	5.8G WLAN	802.11a	Rear Face	149	17.0	16.62	1.09	-0.05	0.824	<b>0.90</b>
	5.8G WLAN	802.11a	Rear Face	149	17.0	16.62	1.09	0.07	0.811	0.89
	5.8G WLAN	802.11a	Rear Face	157	17.0	16.54	1.11	0.02	0.642	0.71

## 4.7.4 SAR Results for Hotspot Exposure Condition (Separation Distance is 1.0 cm Gap)

Plot No.	Band	Mode	Test Position	Ch.	Max. Tune-up Power (dBm)	Measured Conducted Power (dBm)	Scaling Factor	Power Drift (dB)	Measured SAR-1g (W/kg)	Scaled SAR-1g (W/kg)
13	GSM850	GPRS12	Front Face	189	29.0	28.53	1.11	-0.02	0.582	0.65
	GSM850	GPRS12	Rear Face	189	29.0	28.53	1.11	0.01	0.626	<b>0.70</b>
	GSM850	GPRS12	Left Side	189	29.0	28.53	1.11	0.04	0.326	0.36
	GSM850	GPRS12	Right Side	189	29.0	28.53	1.11	0.08	0.22	0.25
	GSM850	GPRS12	Bottom Side	189	29.0	28.53	1.11	-0.03	0.192	0.21
14	GSM1900	GPRS10	Front Face	512	31.0	30.92	1.02	-0.07	0.482	0.49
	GSM1900	GPRS10	Rear Face	512	31.0	30.92	1.02	-0.07	0.859	0.87
	GSM1900	GPRS10	Rear Face	661	31.0	30.57	1.10	0.01	0.800	0.88
	GSM1900	GPRS10	Rear Face	810	31.0	30.44	1.14	-0.03	0.988	<b>1.12</b>
	GSM1900	GPRS10	Rear Face	810	31.0	30.44	1.14	0.01	0.974	1.11
	GSM1900	GPRS10	Left Side	512	31.0	30.92	1.02	-0.06	0.061	0.06
	GSM1900	GPRS10	Right Side	512	31.0	30.92	1.02	-0.04	0.188	0.19
	GSM1900	GPRS10	Bottom Side	512	31.0	30.92	1.02	0.06	0.513	0.52
15	CDMA BC0	RTAP 153.6	Front Face	1013	24.0	23.58	1.10	-0.02	0.377	0.42
	CDMA BC0	RTAP 153.6	Rear Face	1013	24.0	23.58	1.10	-0.09	0.585	<b>0.64</b>
	CDMA BC0	RTAP 153.6	Left Side	1013	24.0	23.58	1.10	0.05	0.339	0.37
	CDMA BC0	RTAP 153.6	Right Side	1013	24.0	23.58	1.10	0.14	0.103	0.11
	CDMA BC0	RTAP 153.6	Bottom Side	1013	24.0	23.58	1.10	0.08	0.126	0.14
	CDMA BC1	RTAP 153.6	Front Face	600	24.5	24.30	1.05	-0.04	0.567	0.59
	CDMA BC1	RTAP 153.6	Rear Face	600	24.5	24.30	1.05	-0.13	0.923	0.97
16	CDMA BC1	RTAP 153.6	Rear Face	25	24.5	24.06	1.11	-0.03	0.893	0.99
	CDMA BC1	RTAP 153.6	Rear Face	1175	24.5	24.02	1.12	0.02	0.983	<b>1.10</b>
	CDMA BC1	RTAP 153.6	Rear Face	1175	24.5	24.02	1.12	0.04	0.965	1.08
	CDMA BC1	RTAP 153.6	Left Side	600	24.5	24.30	1.05	0.01	0.068	0.07
	CDMA BC1	RTAP 153.6	Right Side	600	24.5	24.30	1.05	0.02	0.229	0.24
	CDMA BC1	RTAP 153.6	Bottom Side	600	24.5	24.30	1.05	0.05	0.705	0.74

# FCC SAR Test Report

Plot No.	Band	Mode	Test Position	Ch.	RB#	RB Offset	Max. Tune-up Power (dBm)	Measured Conducted Power (dBm)	Scaling Factor	Power Drift (dB)	Measured SAR-1g (W/kg)	Scaled SAR-1g (W/kg)
	LTE 2	QPSK20M	Front Face	18900	1	0	23.5	23.33	1.04	-0.18	0.51	0.53
	LTE 2	QPSK20M	Front Face	18900	50	0	22.5	22.13	1.09	-0.09	0.474	0.52
17	LTE 2	QPSK20M	Rear Face	18900	1	0	23.5	23.33	1.04	-0.13	0.584	<b>0.61</b>
	LTE 2	QPSK20M	Rear Face	18900	50	0	22.5	22.13	1.09	-0.16	0.55	0.60
	LTE 2	QPSK20M	Left Side	18900	1	0	23.5	23.33	1.04	0.13	0.056	0.06
	LTE 2	QPSK20M	Left Side	18900	50	0	22.5	22.13	1.09	0.09	0.042	0.05
	LTE 2	QPSK20M	Right Side	18900	1	0	23.5	23.33	1.04	-0.01	0.229	0.24
	LTE 2	QPSK20M	Right Side	18900	50	0	22.5	22.13	1.09	0.15	0.178	0.19
	LTE 2	QPSK20M	Bottom Side	18900	1	0	23.5	23.33	1.04	0.05	0.52	0.54
	LTE 2	QPSK20M	Bottom Side	18900	50	0	22.5	22.13	1.09	0.16	0.419	0.46
	LTE 4	QPSK20M	Front Face	20050	1	0	23.0	22.88	1.03	-0.03	0.487	0.50
	LTE 4	QPSK20M	Front Face	20050	50	0	22.0	21.60	1.10	0.03	0.383	0.42
18	LTE 4	QPSK20M	Rear Face	20050	1	0	23.0	22.88	1.03	0.02	0.901	<b>0.93</b>
	LTE 4	QPSK20M	Rear Face	20050	1	0	23.0	22.88	1.03	0.07	0.882	0.91
	LTE 4	QPSK20M	Rear Face	20175	1	0	23.0	22.64	1.09	0.08	0.760	0.83
	LTE 4	QPSK20M	Rear Face	20300	1	0	23.0	22.67	1.08	0.08	0.824	0.89
	LTE 4	QPSK20M	Rear Face	20050	50	0	22.0	21.60	1.10	-0.09	0.591	0.65
	LTE 4	QPSK20M	Rear Face	20050	100	0	22.0	21.57	1.10	0.12	0.572	0.63
	LTE 4	QPSK20M	Left Side	20050	1	0	23.0	22.88	1.03	0.09	0.092	0.09
	LTE 4	QPSK20M	Left Side	20050	50	0	22.0	21.60	1.10	0.01	0.071	0.08
	LTE 4	QPSK20M	Right Side	20050	1	0	23.0	22.88	1.03	0.07	0.150	0.15
	LTE 4	QPSK20M	Right Side	20050	50	0	22.0	21.60	1.10	0.02	0.124	0.14
	LTE 4	QPSK20M	Bottom Side	20050	1	0	23.0	22.88	1.03	0.02	0.217	0.22
	LTE 4	QPSK20M	Bottom Side	20050	50	0	22.0	21.60	1.10	-0.09	0.175	0.19
	LTE 5	QPSK10M	Front Face	20525	1	0	23.0	22.83	1.04	0.13	0.396	0.41
	LTE 5	QPSK10M	Front Face	20525	25	0	22.0	21.67	1.08	0.03	0.322	0.35
19	LTE 5	QPSK10M	Rear Face	20525	1	0	23.0	22.83	1.04	-0.02	0.452	<b>0.47</b>
	LTE 5	QPSK10M	Rear Face	20525	25	0	22.0	21.67	1.08	0.09	0.379	0.41
	LTE 5	QPSK10M	Left Side	20525	1	0	23.0	22.83	1.04	0.06	0.441	0.46
	LTE 5	QPSK10M	Left Side	20525	25	0	22.0	21.67	1.08	0.03	0.384	0.41
	LTE 5	QPSK10M	Right Side	20525	1	0	23.0	22.83	1.04	-0.07	0.145	0.15
	LTE 5	QPSK10M	Right Side	20525	25	0	22.0	21.67	1.08	0.03	0.114	0.12
	LTE 5	QPSK10M	Bottom Side	20525	1	0	23.0	22.83	1.04	0.03	0.156	0.16
	LTE 5	QPSK10M	Bottom Side	20525	25	0	22.0	21.67	1.08	0.05	0.128	0.14
20	LTE 13	QPSK10M	Front Face	23230	1	0	22.5	22.32	1.04	-0.07	0.334	<b>0.35</b>
	LTE 13	QPSK10M	Front Face	23230	25	0	21.5	21.23	1.06	-0.01	0.262	0.28
	LTE 13	QPSK10M	Rear Face	23230	1	0	22.5	22.32	1.04	-0.02	0.328	0.34
	LTE 13	QPSK10M	Rear Face	23230	25	0	21.5	21.23	1.06	-0.05	0.269	0.29
	LTE 13	QPSK10M	Left Side	23230	1	0	22.5	22.32	1.04	-0.09	0.283	0.29
	LTE 13	QPSK10M	Left Side	23230	25	0	21.5	21.23	1.06	0.09	0.255	0.27
	LTE 13	QPSK10M	Right Side	23230	1	0	22.5	22.32	1.04	-0.07	0.290	0.30
	LTE 13	QPSK10M	Right Side	23230	25	0	21.5	21.23	1.06	0.12	0.227	0.24
	LTE 13	QPSK10M	Bottom Side	23230	1	0	22.5	22.32	1.04	0.06	0.093	0.10
	LTE 13	QPSK10M	Bottom Side	23230	25	0	21.5	21.23	1.06	0.08	0.075	0.08

Plot No.	Band	Mode	Test Position	Ch.	Max. Tune-up Power (dBm)	Measured Conducted Power (dBm)	Scaling Factor	Power Drift (dB)	Measured SAR-1g (W/kg)	Scaled SAR-1g (W/kg)
	2.4G WLAN	802.11b	Front Face	6	19.0	18.70	1.07	0.01	0.068	0.07
21	2.4G WLAN	802.11b	Rear Face	6	19.0	18.70	1.07	0.07	0.358	<b>0.38</b>
	2.4G WLAN	802.11b	Right Side	6	19.0	18.70	1.07	-0.03	0.193	0.21

**4.7.5 SAR Results for Extremity Exposure Condition (Separation Distance is 0 cm Gap)**

Plot No.	Band	Mode	Test Position	Ch.	Max. Tune-up Power (dBm)	Measured Conducted Power (dBm)	Scaling Factor	Power Drift (dB)	Measured SAR-10g (W/kg)	Scaled SAR-10g (W/kg)
	5.3G WLAN	802.11a	Front Face	52	17.5	16.96	1.13	0.07	0.078	0.09
25	5.3G WLAN	802.11a	Rear Face	52	17.5	16.96	1.13	0.05	1.35	<b>1.53</b>
	5.3G WLAN	802.11a	Right Side	52	17.5	16.96	1.13	0.06	0.521	0.59
	5.6G WLAN	802.11a	Front Face	116	17.5	17.33	1.04	0	0.082	0.09
26	5.6G WLAN	802.11a	Rear Face	116	17.5	17.33	1.04	0.03	1.5	<b>1.56</b>
	5.6G WLAN	802.11a	Right Side	116	17.5	17.33	1.04	0.02	0.695	0.72
	5.8G WLAN	802.11a	Front Face	149	17.0	16.62	1.09	0	0.073	0.08
27	5.8G WLAN	802.11a	Rear Face	149	17.0	16.62	1.09	0.09	1.21	<b>1.32</b>
	5.8G WLAN	802.11a	Right Side	149	17.0	16.62	1.09	0.08	0.52	0.57

**4.7.6 SAR Measurement Variability**

According to KDB 865664 D01, SAR measurement variability was assessed for each frequency band, which is determined by the SAR probe calibration point and tissue-equivalent medium used for the device measurements. When both head and body tissue-equivalent media are required for SAR measurements in a frequency band, the variability measurement procedures should be applied to the tissue medium with the highest measured SAR, using the highest measured SAR configuration for that tissue-equivalent medium. Alternatively, if the highest measured SAR for both head and body tissue-equivalent media are  $\leq 1.45$  W/kg and the ratio of these highest SAR values, i.e., largest divided by smallest value, is  $\leq 1.10$ , the highest SAR configuration for either head or body tissue-equivalent medium may be used to perform the repeated measurement. These additional measurements are repeated after the completion of all measurements requiring the same head or body tissue-equivalent medium in a frequency band. The test device should be returned to ambient conditions (normal room temperature) with the battery fully charged before it is re-mounted on the device holder for the repeated measurement(s) to minimize any unexpected variations in the repeated results.

SAR repeated measurement procedure:

1. When the highest measured SAR is  $< 0.80$  W/kg, repeated measurement is not required.
2. When the highest measured SAR is  $\geq 0.80$  W/kg, repeat that measurement once.
3. If the ratio of largest to smallest SAR for the original and first repeated measurements is  $> 1.20$ , or when the original or repeated measurement is  $\geq 1.45$  W/kg, perform a second repeated measurement.
4. If the ratio of largest to smallest SAR for the original, first and second repeated measurements is  $> 1.20$ , and the original, first or second repeated measurement is  $\geq 1.5$  W/kg, perform a third repeated measurement.

Band	Mode	Test Position	Ch.	Original Measured SAR-1g (W/kg)	1st Repeated SAR-1g (W/kg)	L/S Ratio	2nd Repeated SAR-1g (W/kg)	L/S Ratio	3rd Repeated SAR-1g (W/kg)	L/S Ratio
GSM1900	GPRS10	Rear Face	810	0.988	0.974	1.01	N/A	N/A	N/A	N/A
CDMA BC1	RTAP 153.6	Rear Face	1175	0.983	0.965	1.02	N/A	N/A	N/A	N/A
LTE 4	QPSK20M	Rear Face	20050	0.901	0.882	1.02	N/A	N/A	N/A	N/A
5.3G WLAN	802.11a	Rear Face	52	1.05	0.96	1.09	N/A	N/A	N/A	N/A
5.6G WLAN	802.11a	Rear Face	116	1.13	1.08	1.05	N/A	N/A	N/A	N/A
5.8G WLAN	802.11a	Rear Face	149	0.824	0.811	1.02	N/A	N/A	N/A	N/A

## FCC SAR Test Report

### 4.7.7 Simultaneous Multi-band Transmission Evaluation

#### <Estimated SAR Calculation>

According to KDB 447498 D01, when standalone SAR test exclusion applies to an antenna that transmits simultaneously with other antennas, the standalone SAR was estimated according to following formula to result in substantially conservative SAR values of  $\leq 0.4$  W/kg to determine simultaneous transmission SAR test exclusion.

$$\text{Estimated SAR} = \frac{\text{Max. Tune up Power}_{(\text{mW})}}{\text{Min. Test Separation Distance}_{(\text{mm})}} \times \frac{\sqrt{f_{(\text{GHz})}}}{7.5}$$

If the minimum test separation distance is  $< 5$  mm, a distance of 5 mm is used for estimated SAR calculation. When the test separation distance is  $> 50$  mm, the 0.4 W/kg is used for SAR-1g.

Mode / Band	Frequency (GHz)	Max. Tune-up Power (dBm)	Test Position	Separation Distance (mm)	Estimated 1g SAR (W/kg)
BT (DSS)	2.48	9.5	Body-worn	10	0.19

Mode / Band	Frequency (GHz)	Max. Tune-up Power (dBm)	Test Position	Separation Distance (mm)	Estimated 10g SAR (W/kg)
GSM 850	0.849	33.0	Extremity	5	1.0
GSM 1900	1.910	32.0	Extremity	5	1.0
CDMA BC0	0.848	24.0	Extremity	5	1.0
CDMA BC1	1.909	24.5	Extremity	5	1.0
LTE 2	1.909	23.5	Extremity	5	1.0
LTE 4	1.754	23.0	Extremity	5	1.0
LTE 5	0.848	23.0	Extremity	5	1.0
LTE 13	0.785	22.5	Extremity	5	1.0

#### Note:

1. The separation distance is determined from the outer housing of the EUT to the user.
2. When standalone SAR testing is not required, an estimated SAR can be applied to determine simultaneous transmission SAR test exclusion.

# FCC SAR Test Report

## <SAR Summation Analysis>

Simultaneous transmission SAR test exclusion is determined for each operating configuration and exposure condition according to the reported standalone SAR of each applicable simultaneous transmitting antenna. When the sum of SAR<sub>1g</sub> of all simultaneously transmitting antennas in an operating mode and exposure condition combination is within the SAR limit (SAR<sub>1g</sub> 1.6 W/kg), the simultaneous transmission SAR is not required. When the sum of SAR<sub>1g</sub> is greater than the SAR limit (SAR<sub>1g</sub> 1.6 W/kg), SAR test exclusion is determined by the SPLSR.

No.	Conditions (SAR1 + SAR2)	Exposure Condition	Test Position	Max. SAR1	Max. SAR2	SAR Summation	SPLSR Analysis
1	GSM850 + WLAN (DTS)	Head	Right Cheek	0.46	0.26	0.72	Σ SAR < 1.6, Not required
			Right Tilted	0.25	0.07	0.32	Σ SAR < 1.6, Not required
			Left Cheek	0.52	0.29	0.81	Σ SAR < 1.6, Not required
			Left Tilted	0.25	0.07	0.32	Σ SAR < 1.6, Not required
		Body-Worn	Front Face	0.65	0.07	0.72	Σ SAR < 1.6, Not required
			Rear Face	0.70	0.38	1.08	Σ SAR < 1.6, Not required
		Hotspot	Front Face	0.65	0.07	0.72	Σ SAR < 1.6, Not required
			Rear Face	0.70	0.38	1.08	Σ SAR < 1.6, Not required
			Left Side	0.36	0.00	0.36	Σ SAR < 1.6, Not required
			Right Side	0.25	0.21	0.46	Σ SAR < 1.6, Not required
			Top Side	0.00	0.00	0.00	Σ SAR < 1.6, Not required
			Bottom Side	0.21	0.00	0.21	Σ SAR < 1.6, Not required
2	GSM850 + WLAN (NII)	Head	Right Cheek	0.46	0.12	0.58	Σ SAR < 1.6, Not required
			Right Tilted	0.25	0.03	0.28	Σ SAR < 1.6, Not required
			Left Cheek	0.52	0.14	0.66	Σ SAR < 1.6, Not required
			Left Tilted	0.25	0.05	0.30	Σ SAR < 1.6, Not required
		Body-Worn	Front Face	0.65	0.06	0.71	Σ SAR < 1.6, Not required
			Rear Face	0.70	1.19	1.89	<b>Analyzed as below</b>
		Extremity	Front Face	1.0	0.09	1.09	Σ SAR < 4.0, Not required
			Rear Face	1.0	1.56	2.56	Σ SAR < 4.0, Not required
			Left Side	1.0	0.00	1.00	Σ SAR < 4.0, Not required
			Right Side	1.0	0.72	1.72	Σ SAR < 4.0, Not required
			Top Side	1.0	0.00	1.00	Σ SAR < 4.0, Not required
			Bottom Side	1.0	0.00	1.00	Σ SAR < 4.0, Not required
3	GSM850 + BT (DSS)	Body-Worn	Front Face	0.65	0.19	0.84	Σ SAR < 1.6, Not required
			Rear Face	0.70	0.19	0.89	Σ SAR < 1.6, Not required

# FCC SAR Test Report

No.	Conditions (SAR1 + SAR2)	Exposure Condition	Test Position	Max. SAR1	Max. SAR2	SAR Summation	SPLSR Analysis
4	GSM1900 + WLAN (DTS)	Head	Right Cheek	0.25	0.26	0.51	$\Sigma$ SAR < 1.6, Not required
			Right Tilted	0.06	0.07	0.13	$\Sigma$ SAR < 1.6, Not required
			Left Cheek	0.09	0.29	0.38	$\Sigma$ SAR < 1.6, Not required
			Left Tilted	0.06	0.07	0.13	$\Sigma$ SAR < 1.6, Not required
		Body-Worn	Front Face	0.49	0.07	0.56	$\Sigma$ SAR < 1.6, Not required
			Rear Face	1.12	0.38	1.50	$\Sigma$ SAR < 1.6, Not required
		Hotspot	Front Face	0.49	0.07	0.56	$\Sigma$ SAR < 1.6, Not required
			Rear Face	1.12	0.38	1.50	$\Sigma$ SAR < 1.6, Not required
			Left Side	0.06	0.00	0.06	$\Sigma$ SAR < 1.6, Not required
			Right Side	0.19	0.21	0.40	$\Sigma$ SAR < 1.6, Not required
			Top Side	0.00	0.00	0.00	$\Sigma$ SAR < 1.6, Not required
			Bottom Side	0.52	0.00	0.52	$\Sigma$ SAR < 1.6, Not required
5	GSM1900 + WLAN (NII)	Head	Right Cheek	0.25	0.12	0.37	$\Sigma$ SAR < 1.6, Not required
			Right Tilted	0.06	0.03	0.09	$\Sigma$ SAR < 1.6, Not required
			Left Cheek	0.09	0.14	0.23	$\Sigma$ SAR < 1.6, Not required
			Left Tilted	0.06	0.05	0.11	$\Sigma$ SAR < 1.6, Not required
		Body-Worn	Front Face	0.49	0.06	0.55	$\Sigma$ SAR < 1.6, Not required
			Rear Face	1.12	1.19	2.31	<b>Analyzed as below</b>
		Extremity	Front Face	1.0	0.09	1.09	$\Sigma$ SAR < 4.0, Not required
			Rear Face	1.0	1.56	2.56	$\Sigma$ SAR < 4.0, Not required
			Left Side	1.0	0.00	1.00	$\Sigma$ SAR < 4.0, Not required
			Right Side	1.0	0.72	1.72	$\Sigma$ SAR < 4.0, Not required
			Top Side	1.0	0.00	1.00	$\Sigma$ SAR < 4.0, Not required
			Bottom Side	1.0	0.00	1.00	$\Sigma$ SAR < 4.0, Not required
6	GSM1900 + BT (DSS)	Body-Worn	Front Face	0.49	0.19	0.68	$\Sigma$ SAR < 1.6, Not required
			Rear Face	1.12	0.19	1.31	$\Sigma$ SAR < 1.6, Not required

# FCC SAR Test Report

No.	Conditions (SAR1 + SAR2)	Exposure Condition	Test Position	Max. SAR1	Max. SAR2	SAR Summation	SPLSR Analysis
7	CDMA BC0 + WLAN (DTS)	Head	Right Cheek	0.40	0.26	0.66	$\Sigma$ SAR < 1.6, Not required
			Right Tilted	0.27	0.07	0.34	$\Sigma$ SAR < 1.6, Not required
			Left Cheek	0.51	0.29	0.80	$\Sigma$ SAR < 1.6, Not required
			Left Tilted	0.27	0.07	0.34	$\Sigma$ SAR < 1.6, Not required
		Body-Worn	Front Face	0.42	0.07	0.49	$\Sigma$ SAR < 1.6, Not required
			Rear Face	0.64	0.38	1.02	$\Sigma$ SAR < 1.6, Not required
		Hotspot	Front Face	0.42	0.07	0.49	$\Sigma$ SAR < 1.6, Not required
			Rear Face	0.64	0.38	1.02	$\Sigma$ SAR < 1.6, Not required
			Left Side	0.37	0.00	0.37	$\Sigma$ SAR < 1.6, Not required
			Right Side	0.11	0.21	0.32	$\Sigma$ SAR < 1.6, Not required
			Top Side	0.00	0.00	0.00	$\Sigma$ SAR < 1.6, Not required
			Bottom Side	0.14	0.00	0.14	$\Sigma$ SAR < 1.6, Not required
8	CDMA BC0 + WLAN (NII)	Head	Right Cheek	0.40	0.12	0.52	$\Sigma$ SAR < 1.6, Not required
			Right Tilted	0.27	0.03	0.30	$\Sigma$ SAR < 1.6, Not required
			Left Cheek	0.51	0.14	0.65	$\Sigma$ SAR < 1.6, Not required
			Left Tilted	0.27	0.05	0.32	$\Sigma$ SAR < 1.6, Not required
		Body-Worn	Front Face	0.42	0.06	0.48	$\Sigma$ SAR < 1.6, Not required
			Rear Face	0.64	1.19	1.83	<b>Analyzed as below</b>
		Extremity	Front Face	1.0	0.09	1.09	$\Sigma$ SAR < 4.0, Not required
			Rear Face	1.0	1.56	2.56	$\Sigma$ SAR < 4.0, Not required
			Left Side	1.0	0.00	1.00	$\Sigma$ SAR < 4.0, Not required
			Right Side	1.0	0.72	1.72	$\Sigma$ SAR < 4.0, Not required
			Top Side	1.0	0.00	1.00	$\Sigma$ SAR < 4.0, Not required
			Bottom Side	1.0	0.00	1.00	$\Sigma$ SAR < 4.0, Not required
9	CDMA BC0 + BT (DSS)	Body-Worn	Front Face	0.42	0.19	0.61	$\Sigma$ SAR < 1.6, Not required
			Rear Face	0.64	0.19	0.83	$\Sigma$ SAR < 1.6, Not required



# FCC SAR Test Report

No.	Conditions (SAR1 + SAR2)	Exposure Condition	Test Position	Max. SAR1	Max. SAR2	SAR Summation	SPLSR Analysis
10	CDMA BC1 + WLAN (DTS)	Head	Right Cheek	0.43	0.26	0.69	$\Sigma$ SAR < 1.6, Not required
			Right Tilted	0.10	0.07	0.17	$\Sigma$ SAR < 1.6, Not required
			Left Cheek	0.18	0.29	0.47	$\Sigma$ SAR < 1.6, Not required
			Left Tilted	0.11	0.07	0.18	$\Sigma$ SAR < 1.6, Not required
		Body-Worn	Front Face	0.59	0.07	0.66	$\Sigma$ SAR < 1.6, Not required
			Rear Face	1.10	0.38	1.48	$\Sigma$ SAR < 1.6, Not required
		Hotspot	Front Face	0.59	0.07	0.66	$\Sigma$ SAR < 1.6, Not required
			Rear Face	1.10	0.38	1.48	$\Sigma$ SAR < 1.6, Not required
			Left Side	0.07	0.00	0.07	$\Sigma$ SAR < 1.6, Not required
			Right Side	0.24	0.21	0.45	$\Sigma$ SAR < 1.6, Not required
			Top Side	0.00	0.00	0.00	$\Sigma$ SAR < 1.6, Not required
			Bottom Side	0.74	0.00	0.74	$\Sigma$ SAR < 1.6, Not required
11	CDMA BC1 + WLAN (NII)	Head	Right Cheek	0.43	0.12	0.55	$\Sigma$ SAR < 1.6, Not required
			Right Tilted	0.10	0.03	0.13	$\Sigma$ SAR < 1.6, Not required
			Left Cheek	0.18	0.14	0.32	$\Sigma$ SAR < 1.6, Not required
			Left Tilted	0.11	0.05	0.16	$\Sigma$ SAR < 1.6, Not required
		Body-Worn	Front Face	0.59	0.06	0.65	$\Sigma$ SAR < 1.6, Not required
			Rear Face	1.10	1.19	2.29	<b>Analyzed as below</b>
		Extremity	Front Face	1.0	0.09	1.09	$\Sigma$ SAR < 4.0, Not required
			Rear Face	1.0	1.56	2.56	$\Sigma$ SAR < 4.0, Not required
			Left Side	1.0	0.00	1.00	$\Sigma$ SAR < 4.0, Not required
			Right Side	1.0	0.72	1.72	$\Sigma$ SAR < 4.0, Not required
			Top Side	1.0	0.00	1.00	$\Sigma$ SAR < 4.0, Not required
			Bottom Side	1.0	0.00	1.00	$\Sigma$ SAR < 4.0, Not required
12	CDMA BC1 + BT (DSS)	Body-Worn	Front Face	0.59	0.19	0.78	$\Sigma$ SAR < 1.6, Not required
			Rear Face	1.10	0.19	1.29	$\Sigma$ SAR < 1.6, Not required

# FCC SAR Test Report

No.	Conditions (SAR1 + SAR2)	Exposure Condition	Test Position	Max. SAR1	Max. SAR2	SAR Summation	SPLSR Analysis
13	LTE 2 + WLAN (DTS)	Head	Right Cheek	0.29	0.26	0.55	$\Sigma$ SAR < 1.6, Not required
			Right Tilted	0.08	0.07	0.15	$\Sigma$ SAR < 1.6, Not required
			Left Cheek	0.14	0.29	0.43	$\Sigma$ SAR < 1.6, Not required
			Left Tilted	0.10	0.07	0.17	$\Sigma$ SAR < 1.6, Not required
		Body-Worn	Front Face	0.53	0.07	0.60	$\Sigma$ SAR < 1.6, Not required
			Rear Face	0.61	0.38	0.99	$\Sigma$ SAR < 1.6, Not required
		Hotspot	Front Face	0.53	0.07	0.60	$\Sigma$ SAR < 1.6, Not required
			Rear Face	0.61	0.38	0.99	$\Sigma$ SAR < 1.6, Not required
			Left Side	0.06	0.00	0.06	$\Sigma$ SAR < 1.6, Not required
			Right Side	0.24	0.21	0.45	$\Sigma$ SAR < 1.6, Not required
			Top Side	0.00	0.00	0.00	$\Sigma$ SAR < 1.6, Not required
			Bottom Side	0.54	0.00	0.54	$\Sigma$ SAR < 1.6, Not required
14	LTE 2 + WLAN (NII)	Head	Right Cheek	0.29	0.12	0.41	$\Sigma$ SAR < 1.6, Not required
			Right Tilted	0.08	0.03	0.11	$\Sigma$ SAR < 1.6, Not required
			Left Cheek	0.14	0.14	0.28	$\Sigma$ SAR < 1.6, Not required
			Left Tilted	0.10	0.05	0.15	$\Sigma$ SAR < 1.6, Not required
		Body-Worn	Front Face	0.53	0.06	0.59	$\Sigma$ SAR < 1.6, Not required
			Rear Face	0.61	1.19	1.80	<b>Analyzed as below</b>
		Extremity	Front Face	1.0	0.09	1.09	$\Sigma$ SAR < 4.0, Not required
			Rear Face	1.0	1.56	2.56	$\Sigma$ SAR < 4.0, Not required
			Left Side	1.0	0.00	1.00	$\Sigma$ SAR < 4.0, Not required
			Right Side	1.0	0.72	1.72	$\Sigma$ SAR < 4.0, Not required
			Top Side	1.0	0.00	1.00	$\Sigma$ SAR < 4.0, Not required
			Bottom Side	1.0	0.00	1.00	$\Sigma$ SAR < 4.0, Not required
15	LTE 2 + BT (DSS)	Body-Worn	Front Face	0.53	0.19	0.72	$\Sigma$ SAR < 1.6, Not required
			Rear Face	0.61	0.19	0.80	$\Sigma$ SAR < 1.6, Not required

# FCC SAR Test Report

No.	Conditions (SAR1 + SAR2)	Exposure Condition	Test Position	Max. SAR1	Max. SAR2	SAR Summation	SPLSR Analysis
16	LTE 4 + WLAN (DTS)	Head	Right Cheek	0.31	0.26	0.57	$\Sigma$ SAR < 1.6, Not required
			Right Tilted	0.17	0.07	0.24	$\Sigma$ SAR < 1.6, Not required
			Left Cheek	0.16	0.29	0.45	$\Sigma$ SAR < 1.6, Not required
			Left Tilted	0.13	0.07	0.20	$\Sigma$ SAR < 1.6, Not required
		Body-Worn	Front Face	0.50	0.07	0.57	$\Sigma$ SAR < 1.6, Not required
			Rear Face	0.93	0.38	1.31	$\Sigma$ SAR < 1.6, Not required
		Hotspot	Front Face	0.50	0.07	0.57	$\Sigma$ SAR < 1.6, Not required
			Rear Face	0.93	0.38	1.31	$\Sigma$ SAR < 1.6, Not required
			Left Side	0.09	0.00	0.09	$\Sigma$ SAR < 1.6, Not required
			Right Side	0.15	0.21	0.36	$\Sigma$ SAR < 1.6, Not required
			Top Side	0.00	0.00	0.00	$\Sigma$ SAR < 1.6, Not required
			Bottom Side	0.22	0.00	0.22	$\Sigma$ SAR < 1.6, Not required
17	LTE 4 + WLAN (NII)	Head	Right Cheek	0.31	0.12	0.43	$\Sigma$ SAR < 1.6, Not required
			Right Tilted	0.17	0.03	0.20	$\Sigma$ SAR < 1.6, Not required
			Left Cheek	0.16	0.14	0.30	$\Sigma$ SAR < 1.6, Not required
			Left Tilted	0.13	0.05	0.18	$\Sigma$ SAR < 1.6, Not required
		Body-Worn	Front Face	0.50	0.06	0.56	$\Sigma$ SAR < 1.6, Not required
			Rear Face	0.93	1.19	2.12	<b>Analyzed as below</b>
		Extremity	Front Face	1.0	0.09	1.09	$\Sigma$ SAR < 4.0, Not required
			Rear Face	1.0	1.56	2.56	$\Sigma$ SAR < 4.0, Not required
			Left Side	1.0	0.00	1.00	$\Sigma$ SAR < 4.0, Not required
			Right Side	1.0	0.72	1.72	$\Sigma$ SAR < 4.0, Not required
			Top Side	1.0	0.00	1.00	$\Sigma$ SAR < 4.0, Not required
			Bottom Side	1.0	0.00	1.00	$\Sigma$ SAR < 4.0, Not required
18	LTE 4 + BT (DSS)	Body-Worn	Front Face	0.50	0.19	0.69	$\Sigma$ SAR < 1.6, Not required
			Rear Face	0.93	0.19	1.12	$\Sigma$ SAR < 1.6, Not required

# FCC SAR Test Report

No.	Conditions (SAR1 + SAR2)	Exposure Condition	Test Position	Max. SAR1	Max. SAR2	SAR Summation	SPLSR Analysis
19	LTE 5 + WLAN (DTS)	Head	Right Cheek	0.24	0.26	0.50	$\Sigma$ SAR < 1.6, Not required
			Right Tilted	0.13	0.07	0.20	$\Sigma$ SAR < 1.6, Not required
			Left Cheek	0.30	0.29	0.59	$\Sigma$ SAR < 1.6, Not required
			Left Tilted	0.13	0.07	0.20	$\Sigma$ SAR < 1.6, Not required
		Body-Worn	Front Face	0.41	0.07	0.48	$\Sigma$ SAR < 1.6, Not required
			Rear Face	0.47	0.38	0.85	$\Sigma$ SAR < 1.6, Not required
		Hotspot	Front Face	0.41	0.07	0.48	$\Sigma$ SAR < 1.6, Not required
			Rear Face	0.47	0.38	0.85	$\Sigma$ SAR < 1.6, Not required
			Left Side	0.46	0.00	0.46	$\Sigma$ SAR < 1.6, Not required
			Right Side	0.15	0.21	0.36	$\Sigma$ SAR < 1.6, Not required
			Top Side	0.00	0.00	0.00	$\Sigma$ SAR < 1.6, Not required
			Bottom Side	0.16	0.00	0.16	$\Sigma$ SAR < 1.6, Not required
20	LTE 5 + WLAN (NII)	Head	Right Cheek	0.24	0.12	0.36	$\Sigma$ SAR < 1.6, Not required
			Right Tilted	0.13	0.03	0.16	$\Sigma$ SAR < 1.6, Not required
			Left Cheek	0.30	0.14	0.44	$\Sigma$ SAR < 1.6, Not required
			Left Tilted	0.13	0.05	0.18	$\Sigma$ SAR < 1.6, Not required
		Body-Worn	Front Face	0.41	0.06	0.47	$\Sigma$ SAR < 1.6, Not required
			Rear Face	0.47	1.19	1.66	<b>Analyzed as below</b>
		Extremity	Front Face	1.0	0.09	1.09	$\Sigma$ SAR < 4.0, Not required
			Rear Face	1.0	1.56	2.56	$\Sigma$ SAR < 4.0, Not required
			Left Side	1.0	0.00	1.00	$\Sigma$ SAR < 4.0, Not required
			Right Side	1.0	0.72	1.72	$\Sigma$ SAR < 4.0, Not required
			Top Side	1.0	0.00	1.00	$\Sigma$ SAR < 4.0, Not required
			Bottom Side	1.0	0.00	1.00	$\Sigma$ SAR < 4.0, Not required
21	LTE 5 + BT (DSS)	Body-Worn	Front Face	0.41	0.19	0.60	$\Sigma$ SAR < 1.6, Not required
			Rear Face	0.47	0.19	0.66	$\Sigma$ SAR < 1.6, Not required

# FCC SAR Test Report

No.	Conditions (SAR1 + SAR2)	Exposure Condition	Test Position	Max. SAR1	Max. SAR2	SAR Summation	SPLSR Analysis
22	LTE 13 + WLAN (DTS)	Head	Right Cheek	0.31	0.26	0.57	$\Sigma$ SAR < 1.6, Not required
			Right Tilted	0.19	0.07	0.26	$\Sigma$ SAR < 1.6, Not required
			Left Cheek	0.35	0.29	0.64	$\Sigma$ SAR < 1.6, Not required
			Left Tilted	0.16	0.07	0.23	$\Sigma$ SAR < 1.6, Not required
		Body-Worn	Front Face	0.35	0.07	0.42	$\Sigma$ SAR < 1.6, Not required
			Rear Face	0.34	0.38	0.72	$\Sigma$ SAR < 1.6, Not required
		Hotspot	Front Face	0.35	0.07	0.42	$\Sigma$ SAR < 1.6, Not required
			Rear Face	0.34	0.38	0.72	$\Sigma$ SAR < 1.6, Not required
			Left Side	0.29	0.00	0.29	$\Sigma$ SAR < 1.6, Not required
			Right Side	0.30	0.21	0.51	$\Sigma$ SAR < 1.6, Not required
			Top Side	0.00	0.00	0.00	$\Sigma$ SAR < 1.6, Not required
			Bottom Side	0.10	0.00	0.10	$\Sigma$ SAR < 1.6, Not required
23	LTE 13 + WLAN (NII)	Head	Right Cheek	0.31	0.12	0.43	$\Sigma$ SAR < 1.6, Not required
			Right Tilted	0.19	0.03	0.22	$\Sigma$ SAR < 1.6, Not required
			Left Cheek	0.35	0.14	0.49	$\Sigma$ SAR < 1.6, Not required
			Left Tilted	0.16	0.05	0.21	$\Sigma$ SAR < 1.6, Not required
		Body-Worn	Front Face	0.35	0.06	0.41	$\Sigma$ SAR < 1.6, Not required
			Rear Face	0.34	1.19	1.53	$\Sigma$ SAR < 1.6, Not required
		Extremity	Front Face	1.0	0.09	1.09	$\Sigma$ SAR < 4.0, Not required
			Rear Face	1.0	1.56	2.56	$\Sigma$ SAR < 4.0, Not required
			Left Side	1.0	0.00	1.00	$\Sigma$ SAR < 4.0, Not required
			Right Side	1.0	0.72	1.72	$\Sigma$ SAR < 4.0, Not required
			Top Side	1.0	0.00	1.00	$\Sigma$ SAR < 4.0, Not required
			Bottom Side	1.0	0.00	1.00	$\Sigma$ SAR < 4.0, Not required
24	LTE 13 + BT (DSS)	Body-Worn	Front Face	0.35	0.19	0.54	$\Sigma$ SAR < 1.6, Not required
			Rear Face	0.34	0.19	0.53	$\Sigma$ SAR < 1.6, Not required

# FCC SAR Test Report

## <SAR to Peak Location Separation Ratio Analysis>

The simultaneous transmitting antennas in each operating mode and exposure condition combination are considered one pair at a time to determine the SPLSR. When SAR is measured for both antennas in the pair, the peak location separation distance is computed by the following formula.

$$\text{Peak Location Separation Distance} = \sqrt{(x_1 - x_2)^2 + (y_1 - y_2)^2 + (z_1 - z_2)^2}$$

Where  $(x_1, y_1, z_1)$  and  $(x_2, y_2, z_2)$  are the coordinates of the extrapolated peak SAR locations in the area or zoom scans.

When standalone test exclusion applies, SAR is estimated; the peak location is assumed to be at the feed-point or geometric center of the antenna. Due to curvatures on the SAM phantom, when SAR is estimated for one of the antennas in an antenna pair, the measured peak SAR location will be translated onto the test device to determine the peak location separation for the antenna pair.

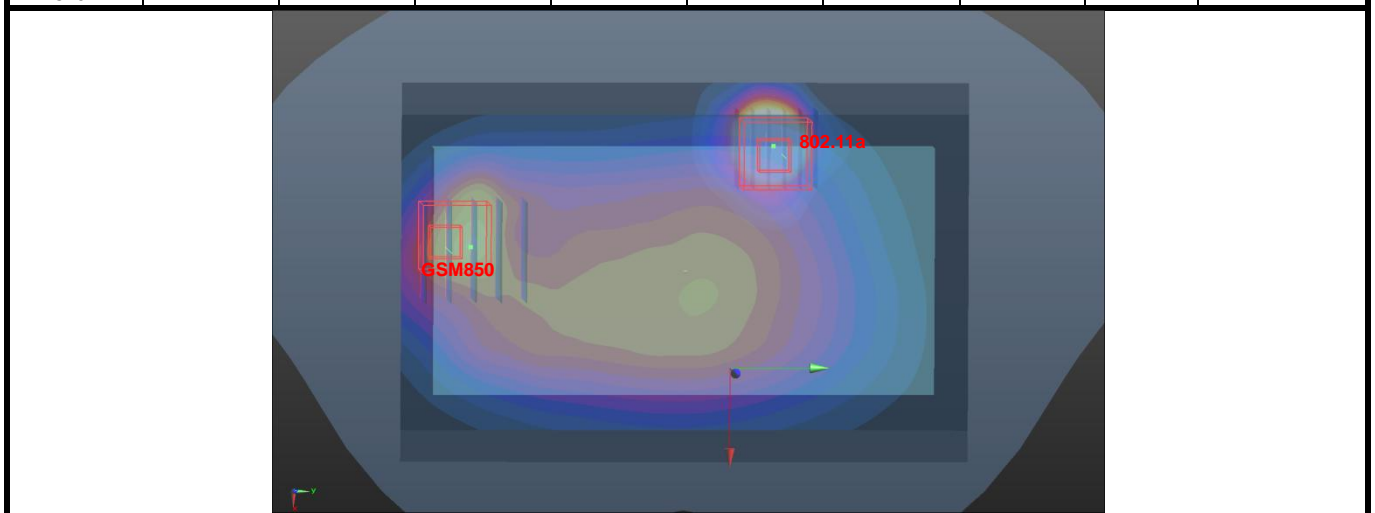
The SPLSR is determined by the following formula.

$$\text{SPLSR} = \frac{(SAR_1 + SAR_2)^{1.5}}{R_i}$$

Where  $SAR_1$  and  $SAR_2$  are the highest reported or estimated SAR for each antenna in the pair, and  $R_i$  is the separation distance between the peak SAR locations for the antenna pair in mm.

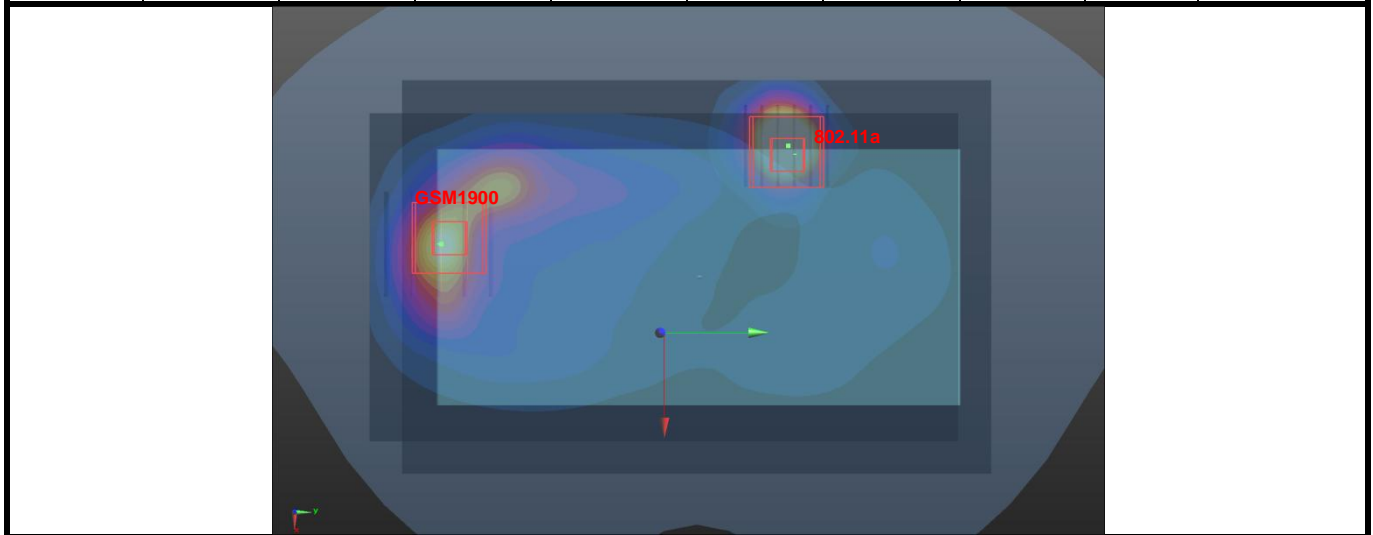
When the SPLSR is  $\leq 0.04$ , the simultaneous transmission SAR is not required. Otherwise, the enlarged zoom scan and volume scan post-processing procedures will be performed.

Conditions	Exposure Condition	Test Position	SAR Value (W/kg)	Coordinates			Peak Location Separation Distance ( $R_i$ , mm)	SPLSR	Simultaneous Transmission SAR Test
				x	y	z			
GSM850 Ch189	Body-Worn	Rear Face	0.70	-0.8	-7.6	-0.166	108.6	0.02	SPLSR $\leq 0.04$ , Not required
802.11a Ch52			1.19	-3.75	2.85	-0.101			

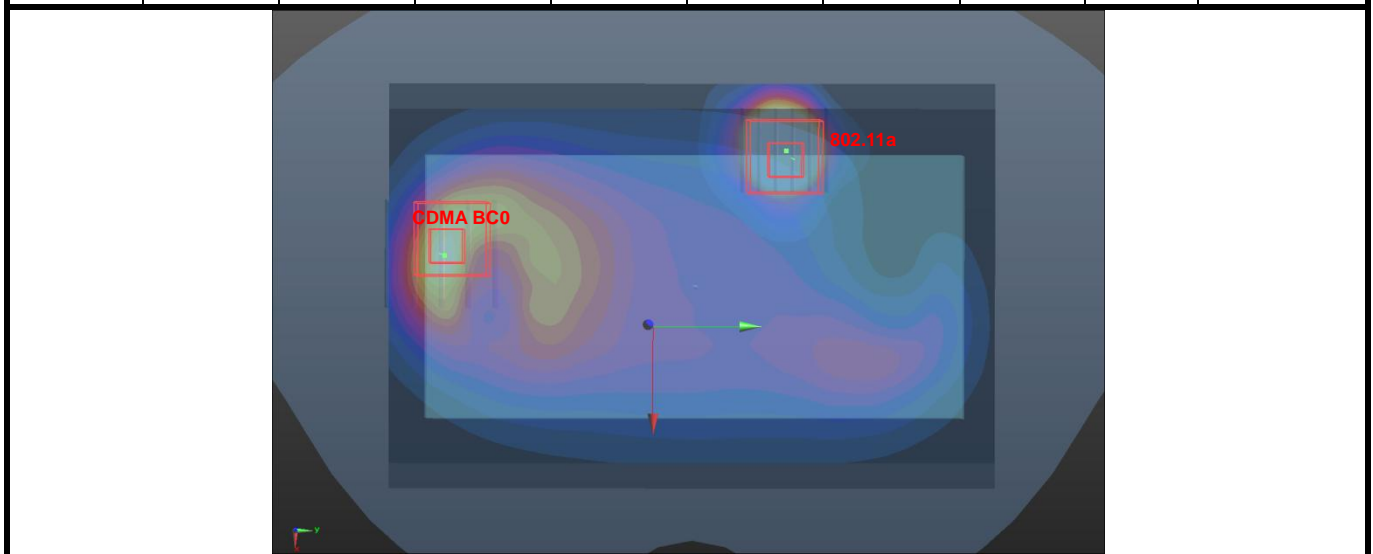


# FCC SAR Test Report

Conditions	Exposure Condition	Test Position	SAR Value (W/kg)	Coordinates			Peak Location Separation Distance (R <sub>i</sub> , mm)	SPLSR	Simultaneous Transmission SAR Test
				x	y	z			
GSM1900 Ch810	Body-Worn	Rear Face	1.12	-1.32	-7.48	-0.098	106.1	0.03	SPLSR ≤ 0.04, Not required
802.11a Ch52			1.19	-3.75	2.85	-0.101			

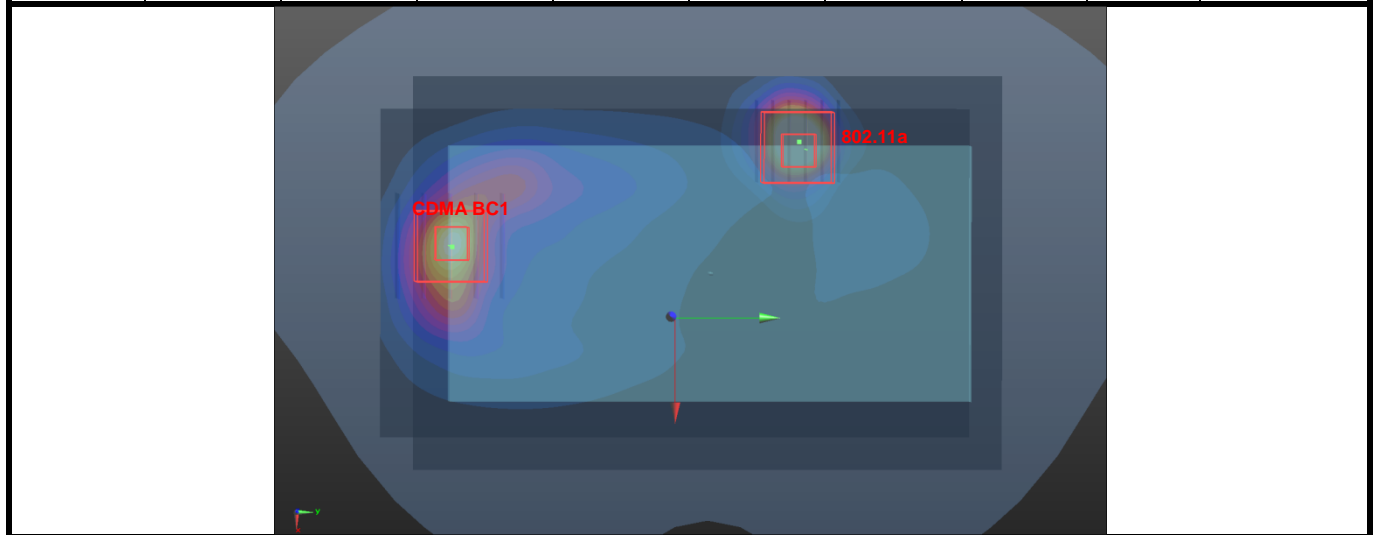


Conditions	Exposure Condition	Test Position	SAR Value (W/kg)	Coordinates			Peak Location Separation Distance (R <sub>i</sub> , mm)	SPLSR	Simultaneous Transmission SAR Test
				x	y	z			
CDMA BC0 Ch1013	Body-Worn	Rear Face	0.64	-1.06	-7.19	-0.032	103.9	0.02	SPLSR ≤ 0.04, Not required
802.11a Ch52			1.19	-3.75	2.85	-0.101			

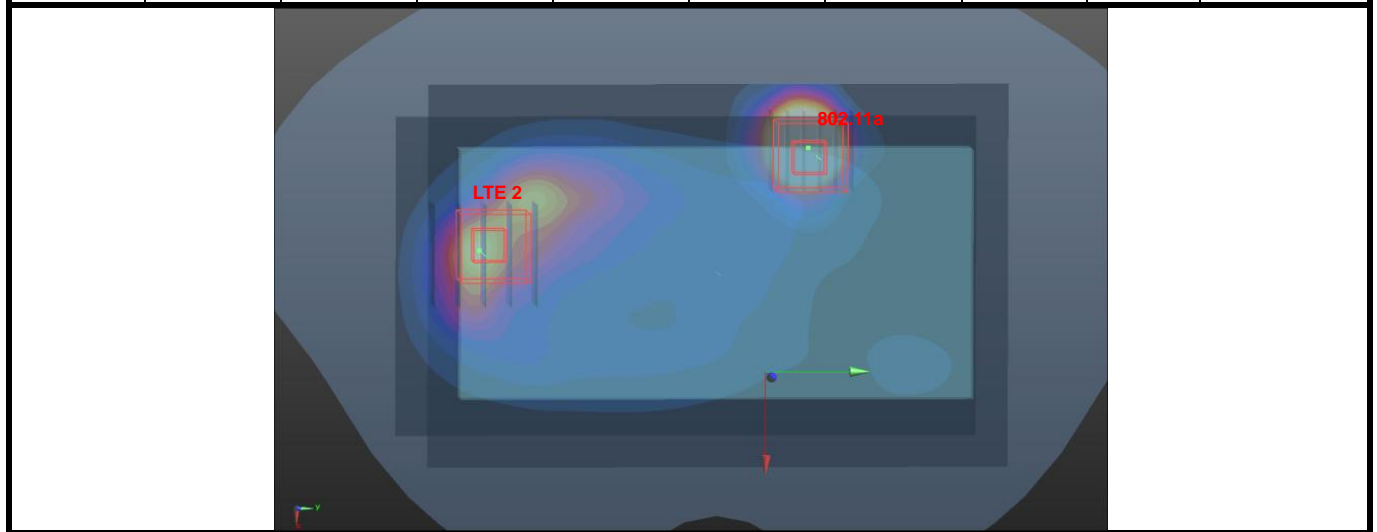


# FCC SAR Test Report

Conditions	Exposure Condition	Test Position	SAR Value (W/kg)	Coordinates			Peak Location Separation Distance (R <sub>i</sub> , mm)	SPLSR	Simultaneous Transmission SAR Test
				x	y	z			
CDMA BC1 Ch1175	Body-Worn	Rear Face	1.10	-0.96	-7.8	-0.117	110.1	0.03	SPLSR ≤ 0.04, Not required
802.11a Ch52			1.19	-3.75	2.85	-0.101			



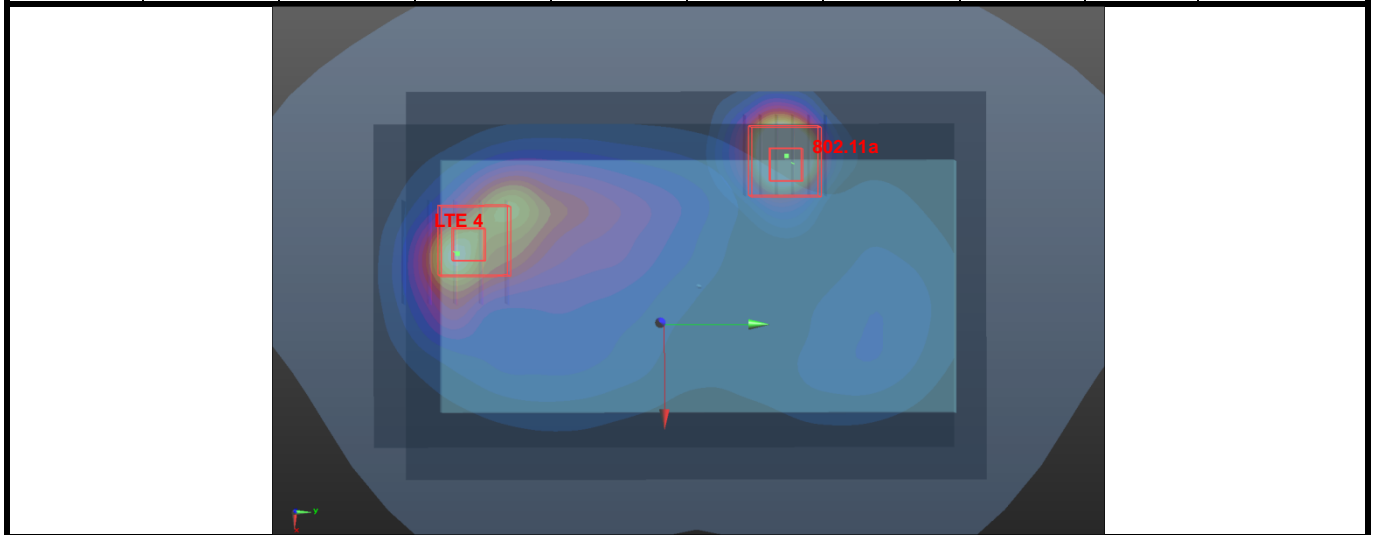
Conditions	Exposure Condition	Test Position	SAR Value (W/kg)	Coordinates			Peak Location Separation Distance (R <sub>i</sub> , mm)	SPLSR	Simultaneous Transmission SAR Test
				x	y	z			
LTE 2 Ch18900	Body-Worn	Rear Face	0.61	-0.96	-7.24	-0.096	104.7	0.02	SPLSR ≤ 0.04, Not required
802.11a Ch52			1.19	-3.75	2.85	-0.101			



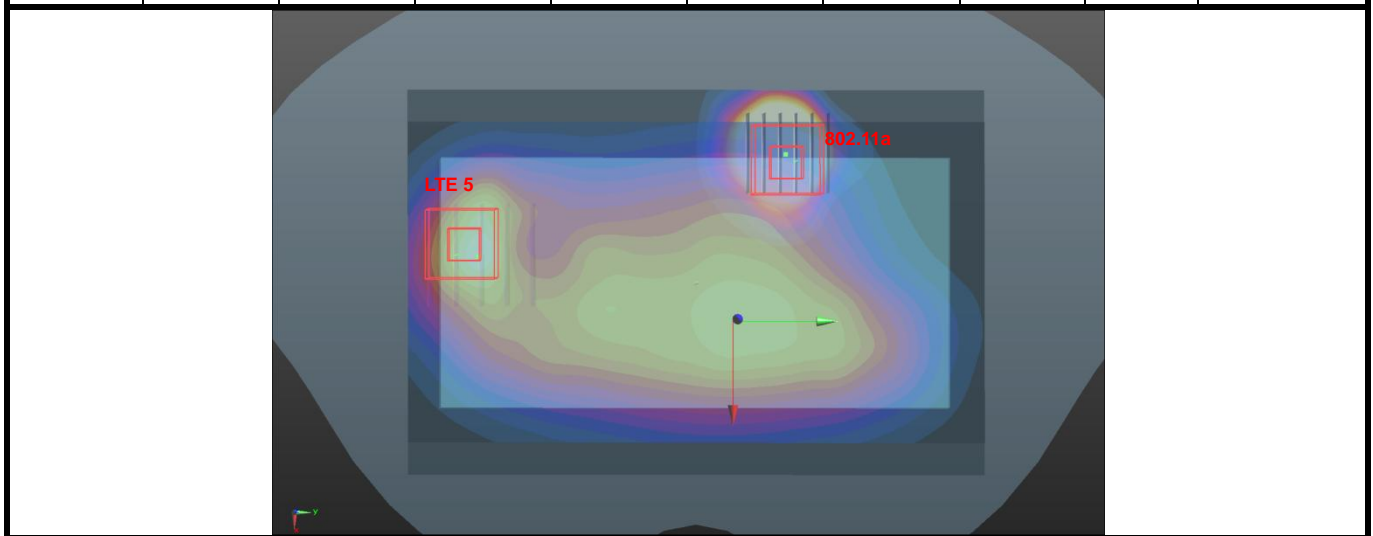


# FCC SAR Test Report

Conditions	Exposure Condition	Test Position	SAR Value (W/kg)	Coordinates			Peak Location Separation Distance (R <sub>i</sub> , mm)	SPLSR	Simultaneous Transmission SAR Test
				x	y	z			
LTE 4 Ch20050	Body-Worn	Rear Face	0.93	-1.16	-7.08	-0.097	102.6	0.03	SPLSR ≤ 0.04, Not required
802.11a Ch52			1.19	-3.75	2.85	-0.101			



Conditions	Exposure Condition	Test Position	SAR Value (W/kg)	Coordinates			Peak Location Separation Distance (R <sub>i</sub> , mm)	SPLSR	Simultaneous Transmission SAR Test
				x	y	z			
LTE 5 Ch20525	Body-Worn	Rear Face	0.47	-1.12	-7.28	-0.062	104.7	0.02	SPLSR ≤ 0.04, Not required
802.11a Ch52			1.19	-3.75	2.85	-0.101			



Test Engineer : Stanley Chuang, and Eric Wu

## 5. Calibration of Test Equipment

Equipment	Manufacturer	Model	SN	Cal. Date	Cal. Interval
System Validation Dipole	SPEAG	D750V3	1132	Dec. 11, 2015	1 Year
System Validation Dipole	SPEAG	D835V2	4d120	Jun. 22, 2016	1 Year
System Validation Dipole	SPEAG	D1750V2	1023	Jun. 23, 2016	1 Year
System Validation Dipole	SPEAG	D1900V2	5d036	Jan. 22, 2016	1 Year
System Validation Dipole	SPEAG	D2450V2	869	Jun. 21, 2016	1 Year
System Validation Dipole	SPEAG	D5GHzV2	1040	Jun. 17, 2016	1 Year
Dosimetric E-Field Probe	SPEAG	ET3DV6	1790	Jun. 24, 2016	1 Year
Dosimetric E-Field Probe	SPEAG	EX3DV4	3650	Jul. 25, 2016	1 Year
Dosimetric E-Field Probe	SPEAG	EX3DV4	3864	Jul. 25, 2016	1 Year
Dosimetric E-Field Probe	SPEAG	EX3DV4	3971	Mar. 23, 2016	1 Year
Data Acquisition Electronics	SPEAG	DAE3	393	Jan. 12, 2016	1 Year
Data Acquisition Electronics	SPEAG	DAE4	861	Jun. 16, 2016	1 Year
Data Acquisition Electronics	SPEAG	DAE4	1277	Jul. 22, 2016	1 Year
Data Acquisition Electronics	SPEAG	DAE4	1431	Mar. 21, 2016	1 Year
Wireless Communication Test Set	Agilent	E5515C	MY50260642	Nov. 19, 2015	2 Years
Radio Communication Analyzer	Anritsu	MT8820C	6201381727	May 04, 2016	1 Year
Spectrum Analyzer	R&S	FSL6	102006	Mar. 25, 2016	1 Year
ENA Series Network Analyzer	Agilent	E5071C	MY46214281	Jun. 13, 2016	1 Year
Vector Signal Generator	Anritsu	MG3710A	6201599977	Mar. 22, 2016	1 Year
Power Meter	Anritsu	ML2495A	1218009	Jul. 06, 2016	1 Year
Power Sensor	Anritsu	MA2411B	1207252	Jul. 06, 2016	1 Year
Thermometer	YFE	YF-160A	150601220	May 04, 2016	1 Year

## 6. Measurement Uncertainty

Source of Uncertainty	Tolerance (± %)	Probability Distribution	Divisor	Ci (1g)	Ci (10g)	Standard Uncertainty (± %, 1g)	Standard Uncertainty (± %, 10g)	Vi
<b>Measurement System</b>								
Probe Calibration	6.0	Normal	1	1	1	6.0	6.0	∞
Axial Isotropy	4.7	Rectangular	√3	0.707	0.707	1.9	1.9	∞
Hemispherical Isotropy	9.6	Rectangular	√3	0.707	0.707	3.9	3.9	∞
Boundary Effect	1.0	Rectangular	√3	1	1	0.6	0.6	∞
Linearity	4.7	Rectangular	√3	1	1	2.7	2.7	∞
System Detection Limits	0.25	Rectangular	√3	1	1	0.14	0.14	∞
Readout Electronics	0.3	Normal	1	1	1	0.3	0.3	∞
Response Time	0.0	Rectangular	√3	1	1	0.0	0.0	∞
Integration Time	1.7	Rectangular	√3	1	1	1.0	1.0	∞
RF Ambient Conditions - Noise	3.0	Rectangular	√3	1	1	1.7	1.7	∞
RF Ambient Conditions - Reflections	3.0	Rectangular	√3	1	1	1.7	1.7	∞
Probe Positioner Mechanical Tolerance	0.4	Rectangular	√3	1	1	0.2	0.2	∞
Probe Positioning with Respect to Phantom Shell	2.9	Rectangular	√3	1	1	1.7	1.7	∞
Extrapolation, interpolation, and integration algorithms for max. SAR evaluation	2.0	Rectangular	√3	1	1	1.2	1.2	∞
<b>Test Sample Related</b>								
Test Sample Positioning	1.5 / 0.7	Normal	1	1	1	1.5	0.7	32
Device Holder Uncertainty	4.2 / 1.8	Normal	1	1	1	4.2	1.8	32
Output Power Variation - SAR Drift Measurement	5.0	Rectangular	√3	1	1	2.9	2.9	∞
<b>Phantom and Tissue Parameters</b>								
Phantom Uncertainty (Shape and Thickness Tolerances)	7.2	Rectangular	√3	1	1	4.2	4.2	∞
Liquid Conductivity - Deviation from Target Values	5.0	Rectangular	√3	0.64	0.43	1.8	1.2	∞
Liquid Conductivity - Measurement Uncertainty	1.0	Normal	1	0.64	0.43	0.6	0.4	25
Liquid Permittivity - Deviation from Target Values	5.0	Rectangular	√3	0.60	0.49	1.7	1.4	∞
Liquid Permittivity - Measurement Uncertainty	0.5	Normal	1	0.60	0.49	0.3	0.2	25
<b>Combined Standard Uncertainty</b>						± 11.2 %	± 10.4 %	
<b>Expanded Uncertainty (K=2)</b>						± 22.4 %	± 20.8 %	

Uncertainty budget for frequency range 300 MHz to 3 GHz

# FCC SAR Test Report

Source of Uncertainty	Tolerance (± %)	Probability Distribution	Divisor	Ci (1g)	Ci (10g)	Standard Uncertainty (± %, 1g)	Standard Uncertainty (± %, 10g)	Vi
<b>Measurement System</b>								
Probe Calibration	6.55	Normal	1	1	1	6.55	6.55	∞
Axial Isotropy	4.7	Rectangular	√3	0.707	0.707	1.9	1.9	∞
Hemispherical Isotropy	9.6	Rectangular	√3	0.707	0.707	3.9	3.9	∞
Boundary Effect	2.0	Rectangular	√3	1	1	1.2	1.2	∞
Linearity	4.7	Rectangular	√3	1	1	2.7	2.7	∞
System Detection Limits	0.25	Rectangular	√3	1	1	0.14	0.14	∞
Readout Electronics	0.3	Normal	1	1	1	0.3	0.3	∞
Response Time	0.0	Rectangular	√3	1	1	0.0	0.0	∞
Integration Time	1.7	Rectangular	√3	1	1	1.0	1.0	∞
RF Ambient Conditions - Noise	3.0	Rectangular	√3	1	1	1.7	1.7	∞
RF Ambient Conditions - Reflections	3.0	Rectangular	√3	1	1	1.7	1.7	∞
Probe Positioner Mechanical Tolerance	0.4	Rectangular	√3	1	1	0.2	0.2	∞
Probe Positioning with Respect to Phantom Shell	6.7	Rectangular	√3	1	1	3.9	3.9	∞
Extrapolation, interpolation, and integration algorithms for max. SAR evaluation	4.0	Rectangular	√3	1	1	2.3	2.3	∞
<b>Test Sample Related</b>								
Test Sample Positioning	1.5 / 0.7	Normal	1	1	1	1.5	0.7	32
Device Holder Uncertainty	4.2 / 1.8	Normal	1	1	1	4.2	1.8	32
Output Power Variation - SAR Drift Measurement	5.0	Rectangular	√3	1	1	2.9	2.9	∞
<b>Phantom and Tissue Parameters</b>								
Phantom Uncertainty (Shape and Thickness Tolerances)	7.6	Rectangular	√3	1	1	4.4	4.4	∞
Liquid Conductivity - Deviation from Target Values	5.0	Rectangular	√3	0.64	0.43	1.8	1.2	∞
Liquid Conductivity - Measurement Uncertainty	1.0	Normal	1	0.64	0.43	0.6	0.4	25
Liquid Permittivity - Deviation from Target Values	5.0	Rectangular	√3	0.60	0.49	1.7	1.4	∞
Liquid Permittivity - Measurement Uncertainty	0.5	Normal	1	0.60	0.49	0.3	0.2	25
<b>Combined Standard Uncertainty</b>						± 12.3 %	± 11.5 %	
<b>Expanded Uncertainty (K=2)</b>						± 24.6 %	± 23.0 %	

## Uncertainty budget for frequency range 3 GHz to 6 GHz

## **7. Information on the Testing Laboratories**

We, Bureau Veritas Consumer Products Services (H.K.) Ltd., Taoyuan Branch, were founded in 1988 to provide our best service in EMC, Radio, Telecom and Safety consultation. Our laboratories are accredited and approved according to ISO/IEC 17025.

If you have any comments, please feel free to contact us at the following:

**Taiwan HwaYa EMC/RF/Safety/Telecom Lab:**

Add: No. 19, Hwa Ya 2nd Rd, Wen Hwa Vil., Kwei Shan Hsiang, Taoyuan Hsien 333, Taiwan, R.O.C.

Tel: 886-3-318-3232

Fax: 886-3-327-0892

**Taiwan LinKo EMC/RF Lab:**

Add: No. 47-2, 14th Ling, Chia Pau Vil., Linkou Dist., New Taipei City 244, Taiwan, R.O.C.

Tel: 886-2-2605-2180

Fax: 886-2-2605-1924

**Taiwan HsinChu EMC/RF Lab:**

Add: No. 81-1, Lu Liao Keng, 9<sup>th</sup> Ling, Wu Lung Vil., Chiung Lin Township, Hsinchu County 307, Taiwan, R.O.C.

Tel: 886-3-593-5343

Fax: 886-3-593-5342

**Email:** [service.adt@tw.bureauveritas.com](mailto:service.adt@tw.bureauveritas.com)

**Web Site:** [www.adt.com.tw](http://www.adt.com.tw)

The road map of all our labs can be found in our web site also.

---END---

## Appendix A. SAR Plots of System Verification

The plots for system verification with largest deviation for each SAR system combination are shown as follows.

### System Check\_H750\_160818

**DUT: Dipole 750 MHz; Type: D750V3; SN: 1132**

Communication System: CW; Frequency: 750 MHz; Duty Cycle: 1:1

Medium: H06T09N1\_0818 Medium parameters used:  $f = 750 \text{ MHz}$ ;  $\sigma = 0.885 \text{ S/m}$ ;  $\epsilon_r = 40.053$ ;  $\rho = 1000 \text{ kg/m}^3$

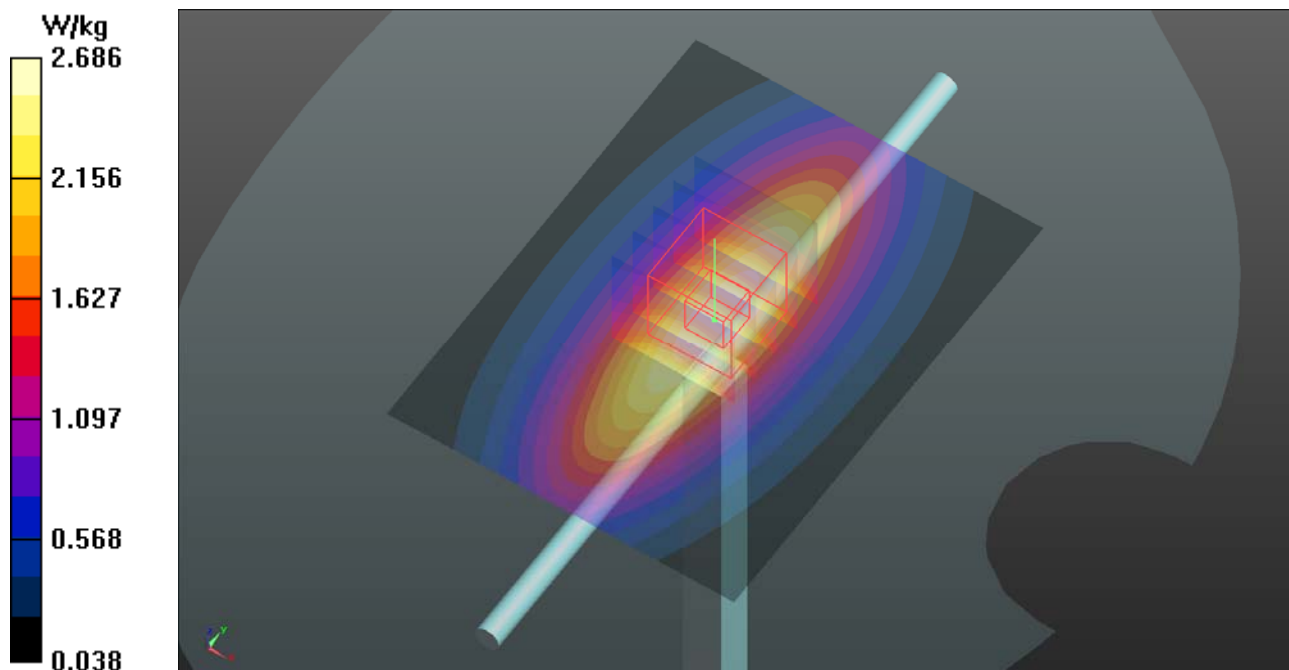
Ambient Temperature :  $23.7 \text{ }^\circ\text{C}$  ; Liquid Temperature :  $23.5 \text{ }^\circ\text{C}$

DASY5 Configuration:

- Probe: EX3DV4 - SN3971; ConvF(10.3, 10.3, 10.3); Calibrated: 2016/03/23;
- Sensor-Surface: 1.4mm (Mechanical Surface Detection)
- Electronics: DAE4 Sn1431; Calibrated: 2016/03/21
- Phantom: Twin SAM Phantom\_1654; Type: QD000P40;
- Measurement SW: DASY52, Version 52.8 (8); SEMCAD X Version 14.6.10 (7373)

**Pin=250mW/Area Scan (61x81x1):** Interpolated grid:  $dx=1.500 \text{ mm}$ ,  $dy=1.500 \text{ mm}$   
Maximum value of SAR (interpolated) =  $2.69 \text{ W/kg}$

**Pin=250mW/Zoom Scan (5x5x7)/Cube 0:** Measurement grid:  $dx=8\text{mm}$ ,  $dy=8\text{mm}$ ,  $dz=5\text{mm}$   
Reference Value =  $56.26 \text{ V/m}$ ; Power Drift =  $-0.01 \text{ dB}$   
Peak SAR (extrapolated) =  $3.08 \text{ W/kg}$   
**SAR(1 g) =  $2.15 \text{ W/kg}$ ; SAR(10 g) =  $1.47 \text{ W/kg}$**   
Maximum value of SAR (measured) =  $2.68 \text{ W/kg}$



### System Check\_H835\_160817

**DUT: Dipole 835 MHz; Type: D835V2; SN: 4d322**

Communication System: CW; Frequency: 835 MHz; Duty Cycle: 1:1

Medium: H07T10N3\_0817 Medium parameters used:  $f = 835 \text{ MHz}$ ;  $\sigma = 0.903 \text{ S/m}$ ;  $\epsilon_r = 43.167$ ;  $\rho = 1000 \text{ kg/m}^3$

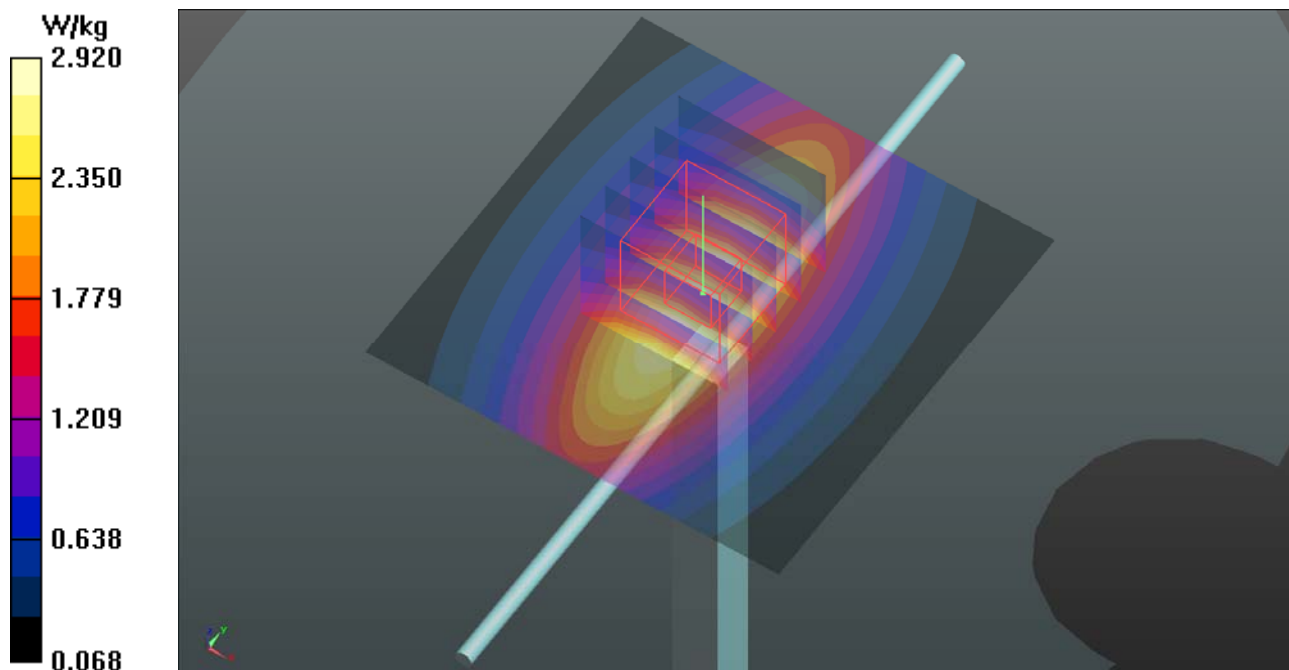
Ambient Temperature : 23.7 °C ; Liquid Temperature : 23.5 °C

DASY5 Configuration:

- Probe: EX3DV4 - SN3971; ConvF(10.09, 10.09, 10.09); Calibrated: 2016/03/23;
- Sensor-Surface: 1.4mm (Mechanical Surface Detection)
- Electronics: DAE4 Sn1431; Calibrated: 2016/03/21
- Phantom: Twin SAM Phantom\_1654; Type: QD000P40;
- Measurement SW: DASY52, Version 52.8 (8); SEMCAD X Version 14.6.10 (7373)

**Pin=250mW/Area Scan (61x61x1):** Interpolated grid:  $dx=1.500 \text{ mm}$ ,  $dy=1.500 \text{ mm}$   
Maximum value of SAR (interpolated) = 2.92 W/kg

**Pin=250mW/Zoom Scan (5x5x7)/Cube 0:** Measurement grid:  $dx=8\text{mm}$ ,  $dy=8\text{mm}$ ,  $dz=5\text{mm}$   
Reference Value = 53.52 V/m; Power Drift = -0.05 dB  
Peak SAR (extrapolated) = 3.30 W/kg  
**SAR(1 g) = 2.2 W/kg; SAR(10 g) = 1.45 W/kg**  
Maximum value of SAR (measured) = 2.93 W/kg





## System Check\_H1750\_160829

**DUT: Dipole 1750 MHz; Type: D1750V2; SN: 1245**

Communication System: CW; Frequency: 1750 MHz; Duty Cycle: 1:1

Medium: H16T20N2\_0829 Medium parameters used:  $f = 1750$  MHz;  $\sigma = 1.326$  S/m;  $\epsilon_r = 39.921$ ;  $\rho = 1000$  kg/m<sup>3</sup>

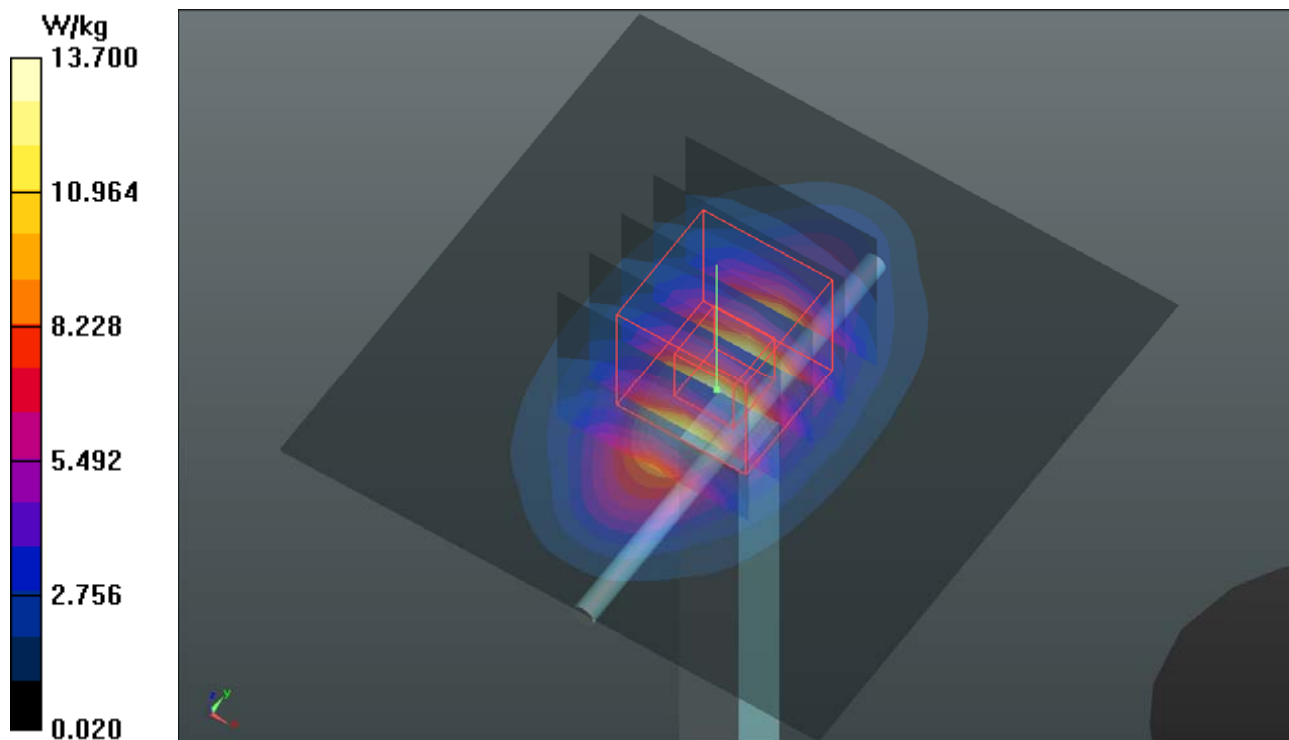
Ambient Temperature : 23.9 °C ; Liquid Temperature : 23.3 °C

DASY5 Configuration:

- Probe: ET3DV6 - SN1790; ConvF(5.57, 5.57, 5.57); Calibrated: 2016/06/24;
- Sensor-Surface: 4mm (Mechanical Surface Detection)
- Electronics: DAE4 Sn1277; Calibrated: 2016/07/22
- Phantom: Twin SAM Phantom\_1653; Type: QD000P40;
- Measurement SW: DASY52, Version 52.8 (8); SEMCAD X Version 14.6.10 (7373)

**Pin=250mW/Area Scan (61x61x1):** Interpolated grid: dx=1.500 mm, dy=1.500 mm  
Maximum value of SAR (interpolated) = 13.7 W/kg

**Pin=250mW/Zoom Scan (5x5x7)/Cube 0:** Measurement grid: dx=8mm, dy=8mm, dz=5mm  
Reference Value = 98.31 V/m; Power Drift = -0.01 dB  
Peak SAR (extrapolated) = 16.3 W/kg  
**SAR(1 g) = 8.85 W/kg; SAR(10 g) = 4.71 W/kg**  
Maximum value of SAR (measured) = 13.7 W/kg



### System Check\_H1900\_160825

**DUT: Dipole 1900 MHz; Type: D1900V2; SN: 5d036**

Communication System: CW; Frequency: 1900 MHz; Duty Cycle: 1:1

Medium: H16T20N2\_0825 Medium parameters used:  $f = 1900$  MHz;  $\sigma = 1.453$  S/m;  $\epsilon_r = 38.423$ ;  $\rho = 1000$  kg/m<sup>3</sup>

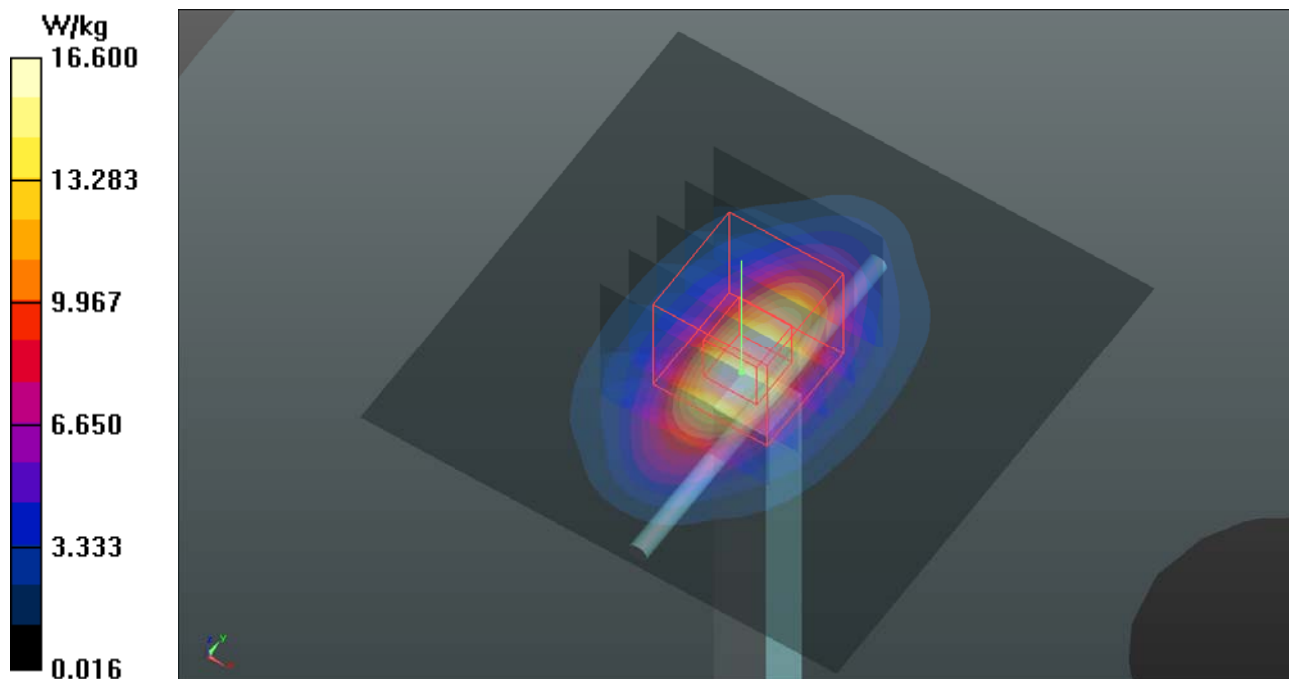
Ambient Temperature : 24.0 °C ; Liquid Temperature : 23.6 °C

DASY5 Configuration:

- Probe: EX3DV4 - SN3650; ConvF(8.29, 8.29, 8.29); Calibrated: 2016/07/25;
- Sensor-Surface: 1.4mm (Mechanical Surface Detection)
- Electronics: DAE4 Sn861; Calibrated: 2016/06/16
- Phantom: Twin SAM Phantom\_1202; Type: QD000P40CA;
- Measurement SW: DASY52, Version 52.8 (8); SEMCAD X Version 14.6.10 (7373)

**Pin=250mW/Area Scan (61x61x1):** Interpolated grid: dx=1.500 mm, dy=1.500 mm  
Maximum value of SAR (interpolated) = 16.6 W/kg

**Pin=250mW/Zoom Scan (5x5x7)/Cube 0:** Measurement grid: dx=8mm, dy=8mm, dz=5mm  
Reference Value = 102.7 V/m; Power Drift = -0.07 dB  
Peak SAR (extrapolated) = 19.6 W/kg  
**SAR(1 g) = 10.5 W/kg; SAR(10 g) = 5.42 W/kg**  
Maximum value of SAR (measured) = 16.3 W/kg



### System Check\_H2450\_160830

**DUT: Dipole 2450 MHz; Type: D2450V2; SN: 869**

Communication System: CW; Frequency: 2450 MHz; Duty Cycle: 1:1

Medium: H19T27N2\_0830 Medium parameters used:  $f = 2450$  MHz;  $\sigma = 1.864$  S/m;  $\epsilon_r = 37.884$ ;  $\rho = 1000$  kg/m<sup>3</sup>

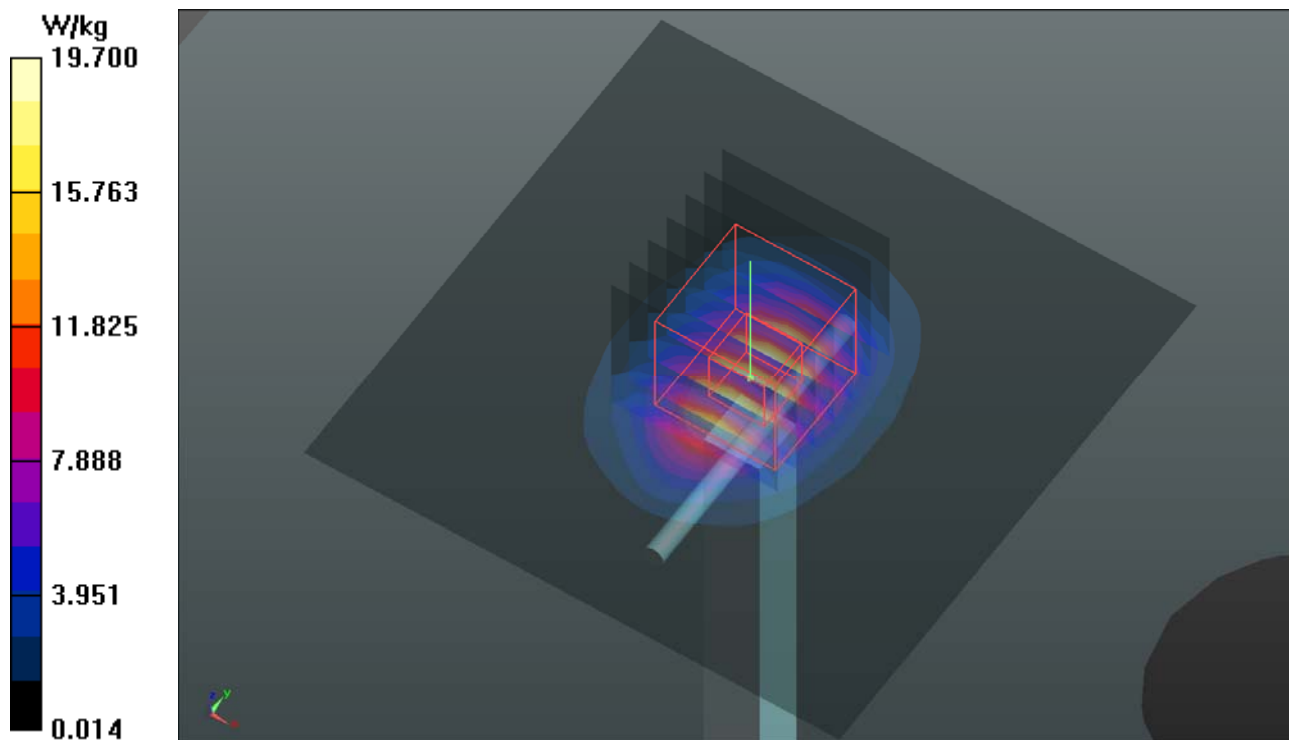
Ambient Temperature : 23.9 °C ; Liquid Temperature : 23.3 °C

DASY5 Configuration:

- Probe: EX3DV4 - SN3864; ConvF(7.75, 7.75, 7.75); Calibrated: 2016/07/25;
- Sensor-Surface: 1.4mm (Mechanical Surface Detection)
- Electronics: DAE3 Sn393; Calibrated: 2016/01/12
- Phantom: Twin SAM Phantom\_1653; Type: QD000P40;
- Measurement SW: DASY52, Version 52.8 (8); SEMCAD X Version 14.6.10 (7373)

**Pin=250mW/Area Scan (81x81x1):** Interpolated grid: dx=1.200 mm, dy=1.200 mm  
Maximum value of SAR (interpolated) = 19.7 W/kg

**Pin=250mW/Zoom Scan (7x7x7)/Cube 0:** Measurement grid: dx=5mm, dy=5mm, dz=5mm  
Reference Value = 104.5 V/m; Power Drift = -0.06 dB  
Peak SAR (extrapolated) = 27.2 W/kg  
**SAR(1 g) = 12.7 W/kg; SAR(10 g) = 5.76 W/kg**  
Maximum value of SAR (measured) = 19.7 W/kg



### System Check\_H5300\_160830

**DUT: Dipole 5 GHz; Type: D5GHzV2; SN: 1040**

Communication System: CW; Frequency: 5300 MHz; Duty Cycle: 1:1

Medium: H34T60N1\_0830 Medium parameters used:  $f = 5300$  MHz;  $\sigma = 4.844$  S/m;  $\epsilon_r = 35$ ;  $\rho = 1000$  kg/m<sup>3</sup>

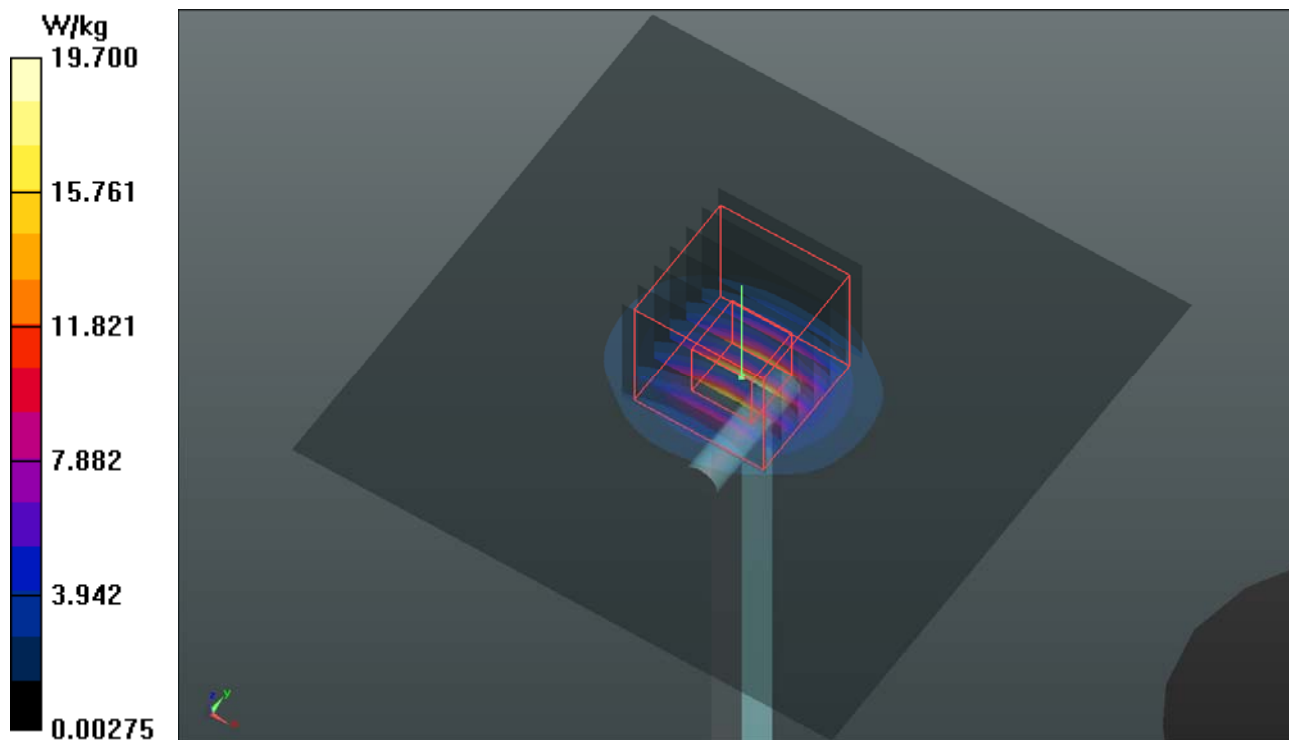
Ambient Temperature : 23.8 °C ; Liquid Temperature : 23.2 °C

DASY5 Configuration:

- Probe: EX3DV4 - SN3864; ConvF(5.31, 5.31, 5.31); Calibrated: 2016/07/25;
- Sensor-Surface: 1.4mm (Mechanical Surface Detection)
- Electronics: DAE3 Sn393; Calibrated: 2016/01/12
- Phantom: Twin SAM Phantom\_1653; Type: QD000P40;
- Measurement SW: DASY52, Version 52.8 (8); SEMCAD X Version 14.6.10 (7373)

**Pin=100mW/Area Scan (91x91x1):** Interpolated grid: dx=1.000 mm, dy=1.000 mm  
Maximum value of SAR (interpolated) = 19.7 W/kg

**Pin=100mW/Zoom Scan (7x7x12)/Cube 0:** Measurement grid: dx=4mm, dy=4mm, dz=2mm  
Reference Value = 71.95 V/m; Power Drift = -0.10 dB  
Peak SAR (extrapolated) = 35.9 W/kg  
**SAR(1 g) = 8.39 W/kg; SAR(10 g) = 2.41 W/kg**  
Maximum value of SAR (measured) = 21.5 W/kg



### System Check\_H5600\_160830

**DUT: Dipole 5 GHz; Type: D5GHzV2; SN: 1040**

Communication System: CW; Frequency: 5600 MHz; Duty Cycle: 1:1

Medium: H34T60N1\_0830 Medium parameters used:  $f = 5600$  MHz;  $\sigma = 5.176$  S/m;  $\epsilon_r = 34.669$ ;  $\rho = 1000$  kg/m<sup>3</sup>

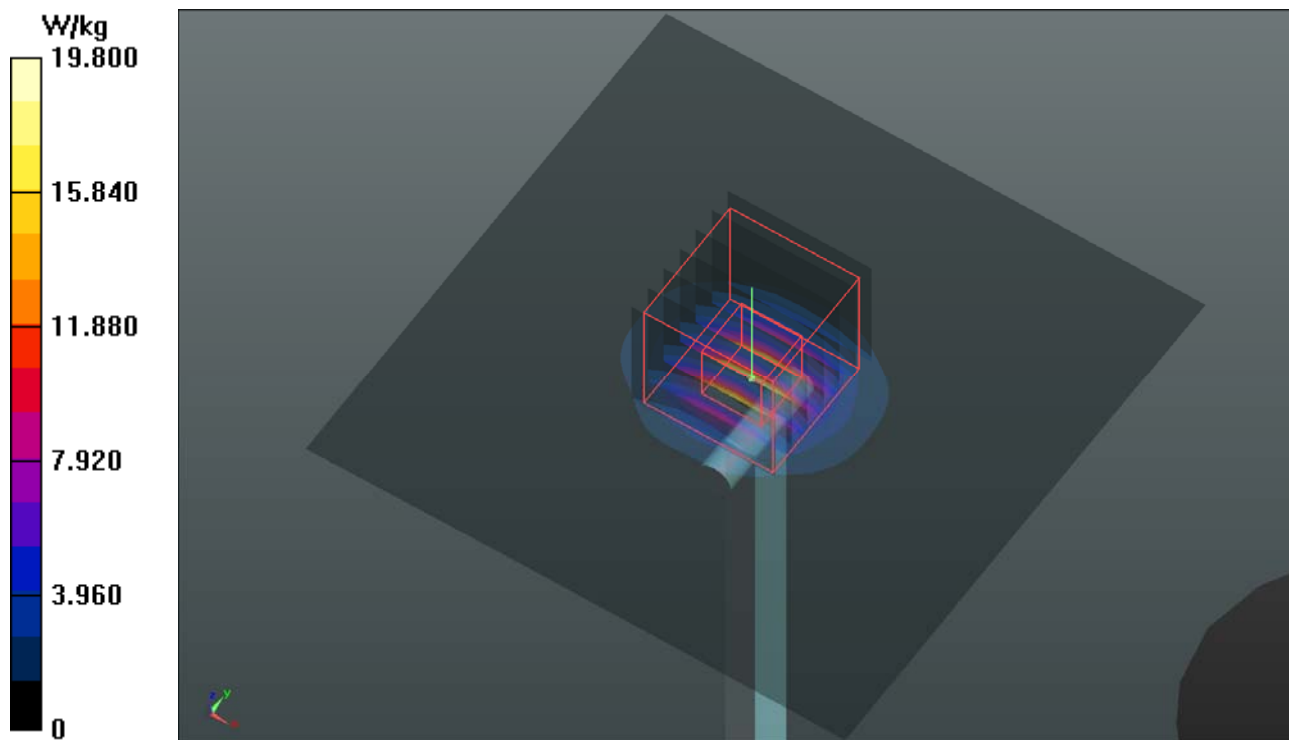
Ambient Temperature : 23.8 °C ; Liquid Temperature : 23.2 °C

DASY5 Configuration:

- Probe: EX3DV4 - SN3864; ConvF(4.95, 4.95, 4.95); Calibrated: 2016/07/25;
- Sensor-Surface: 1.4mm (Mechanical Surface Detection)
- Electronics: DAE3 Sn393; Calibrated: 2016/01/12
- Phantom: Twin SAM Phantom\_1653; Type: QD000P40;
- Measurement SW: DASY52, Version 52.8 (8); SEMCAD X Version 14.6.10 (7373)

**Pin=100mW/Area Scan (91x91x1):** Interpolated grid: dx=1.000 mm, dy=1.000 mm  
Maximum value of SAR (interpolated) = 19.8 W/kg

**Pin=100mW/Zoom Scan (7x7x12)/Cube 0:** Measurement grid: dx=4mm, dy=4mm, dz=2mm  
Reference Value = 70.63 V/m; Power Drift = -0.06 dB  
Peak SAR (extrapolated) = 35.1 W/kg  
**SAR(1 g) = 8.29 W/kg; SAR(10 g) = 2.35 W/kg**  
Maximum value of SAR (measured) = 21.2 W/kg



### System Check\_H5800\_160830

**DUT: Dipole 5 GHz; Type: D5GHzV2; SN: 1040**

Communication System: CW; Frequency: 5800 MHz; Duty Cycle: 1:1

Medium: H34T60N1\_0830 Medium parameters used:  $f = 5800$  MHz;  $\sigma = 5.405$  S/m;  $\epsilon_r = 34.292$ ;  $\rho = 1000$  kg/m<sup>3</sup>

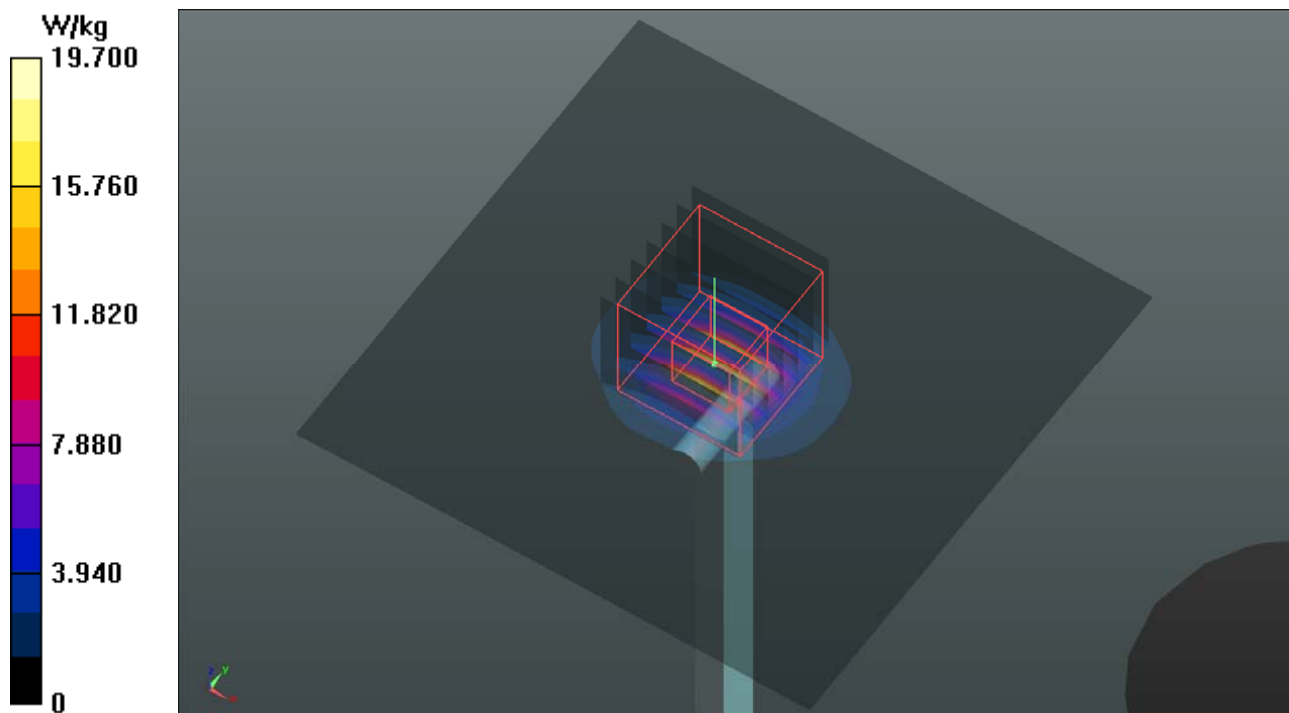
Ambient Temperature : 23.8 °C ; Liquid Temperature : 23.2 °C

DASY5 Configuration:

- Probe: EX3DV4 - SN3864; ConvF(4.96, 4.96, 4.96); Calibrated: 2016/07/25;
- Sensor-Surface: 1.4mm (Mechanical Surface Detection)
- Electronics: DAE3 Sn393; Calibrated: 2016/01/12
- Phantom: Twin SAM Phantom\_1653; Type: QD000P40;
- Measurement SW: DASY52, Version 52.8 (8); SEMCAD X Version 14.6.10 (7373)

**Pin=100mW/Area Scan (91x91x1):** Interpolated grid: dx=1.000 mm, dy=1.000 mm  
Maximum value of SAR (interpolated) = 19.7 W/kg

**Pin=100mW/Zoom Scan (7x7x12)/Cube 0:** Measurement grid: dx=4mm, dy=4mm, dz=2mm  
Reference Value = 68.85 V/m; Power Drift = -0.02 dB  
Peak SAR (extrapolated) = 35.7 W/kg  
**SAR(1 g) = 8.19 W/kg; SAR(10 g) = 2.34 W/kg**  
Maximum value of SAR (measured) = 20.9 W/kg



## System Check\_B750\_160817

**DUT: Dipole 750 MHz; Type: D750V3; SN: 1354**

Communication System: CW; Frequency: 750 MHz; Duty Cycle: 1:1

Medium: B06T09N1\_0817 Medium parameters used:  $f = 750 \text{ MHz}$ ;  $\sigma = 0.967 \text{ S/m}$ ;  $\epsilon_r = 56.078$ ;  $\rho = 1000 \text{ kg/m}^3$

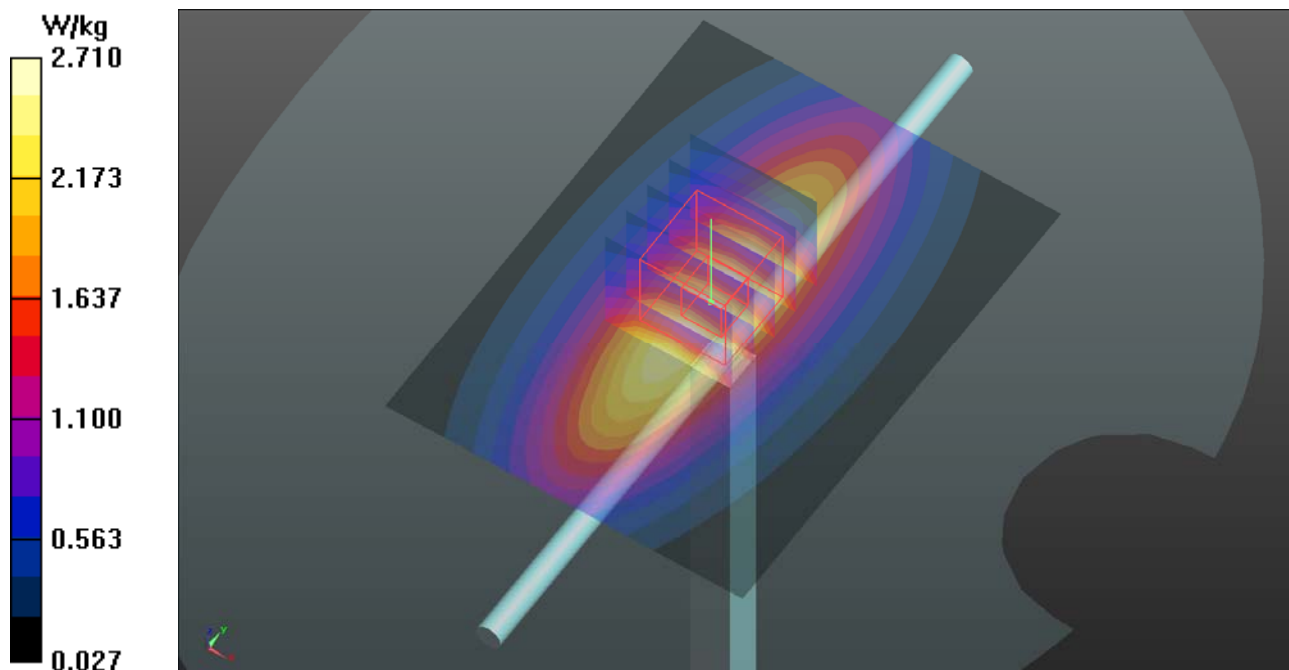
Ambient Temperature : 23.8 °C ; Liquid Temperature : 23.6 °C

DASY5 Configuration:

- Probe: EX3DV4 - SN3971; ConvF(10, 10, 10); Calibrated: 2016/03/23
- Sensor-Surface: 1.4mm (Mechanical Surface Detection)
- Electronics: DAE4 Sn1431; Calibrated: 2016/03/21
- Phantom: Twin SAM Phantom\_1485; Type: QD000P40;
- Measurement SW: DASY52, Version 52.8 (8); SEMCAD X Version 14.6.10 (7373)

**Pin=250mW/Area Scan (61x81x1):** Interpolated grid:  $dx=1.500 \text{ mm}$ ,  $dy=1.500 \text{ mm}$   
Maximum value of SAR (interpolated) = 2.71 W/kg

**Pin=250mW/Zoom Scan (5x5x7)/Cube 0:** Measurement grid:  $dx=8\text{mm}$ ,  $dy=8\text{mm}$ ,  $dz=5\text{mm}$   
Reference Value = 53.80 V/m; Power Drift = 0.01 dB  
Peak SAR (extrapolated) = 3.14 W/kg  
**SAR(1 g) = 2.18 W/kg; SAR(10 g) = 1.47 W/kg**  
Maximum value of SAR (measured) = 2.71 W/kg



## System Check\_B835\_160817

**DUT: Dipole 835 MHz; Type: D835V2; SN: 4d122**

Communication System: CW; Frequency: 835 MHz; Duty Cycle: 1:1

Medium: B07T10N2\_0817 Medium parameters used:  $f = 835 \text{ MHz}$ ;  $\sigma = 0.994 \text{ S/m}$ ;  $\epsilon_r = 54.724$ ;  $\rho = 1000 \text{ kg/m}^3$

Ambient Temperature : 23.8 °C ; Liquid Temperature : 23.6 °C

DASY5 Configuration:

- Probe: EX3DV4 - SN3971; ConvF(9.89, 9.89, 9.89); Calibrated: 2016/03/23;
- Sensor-Surface: 1.4mm (Mechanical Surface Detection)
- Electronics: DAE4 Sn1431; Calibrated: 2016/03/21
- Phantom: Twin SAM Phantom\_1485; Type: QD000P40;
- Measurement SW: DASY52, Version 52.8 (8); SEMCAD X Version 14.6.10 (7373)

**Pin=250mW/Area Scan (61x61x1):** Interpolated grid:  $dx=1.500 \text{ mm}$ ,  $dy=1.500 \text{ mm}$

Maximum value of SAR (interpolated) = 3.15 W/kg

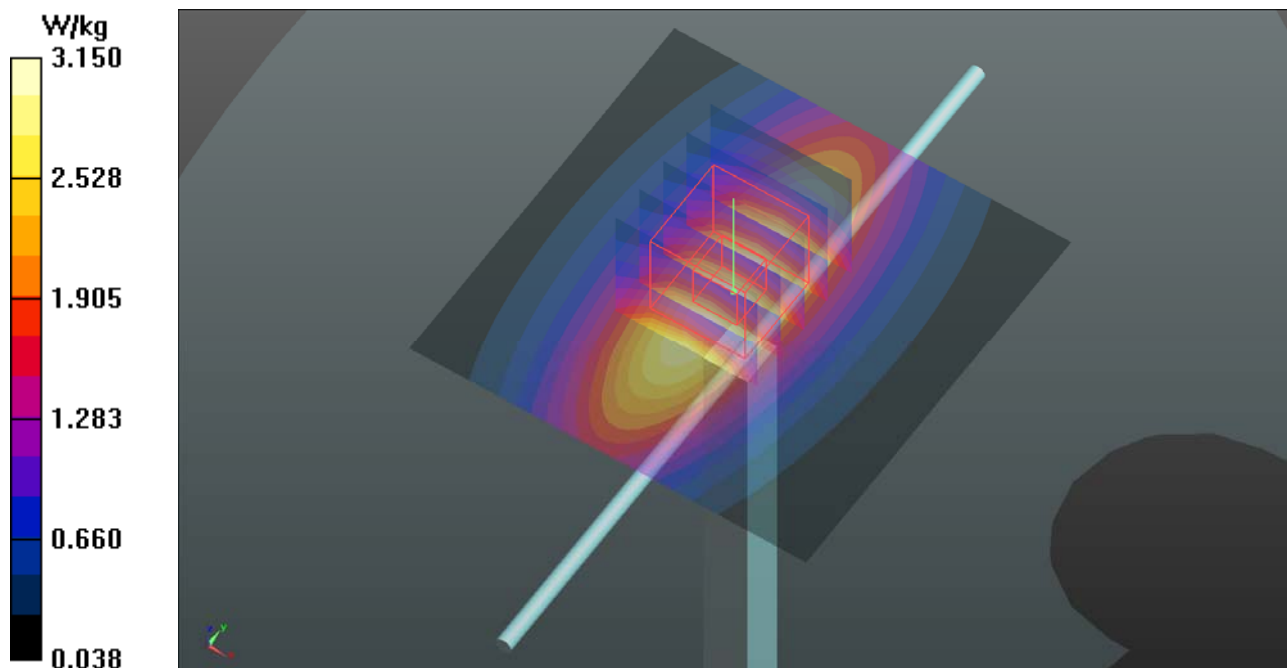
**Pin=250mW/Zoom Scan (5x5x7)/Cube 0:** Measurement grid:  $dx=8\text{mm}$ ,  $dy=8\text{mm}$ ,  $dz=5\text{mm}$

Reference Value = 54.12 V/m; Power Drift = 0.00 dB

Peak SAR (extrapolated) = 3.67 W/kg

**SAR(1 g) = 2.49 W/kg; SAR(10 g) = 1.65 W/kg**

Maximum value of SAR (measured) = 3.14 W/kg





### System Check\_B1750\_160829

**DUT: Dipole 1750 MHz; Type: D1750V2; SN: 1023**

Communication System: CW; Frequency: 1750 MHz; Duty Cycle: 1:1

Medium: B16T20N2\_0829 Medium parameters used:  $f = 1750$  MHz;  $\sigma = 1.421$  S/m;  $\epsilon_r = 51.18$ ;  $\rho = 1000$  kg/m<sup>3</sup>

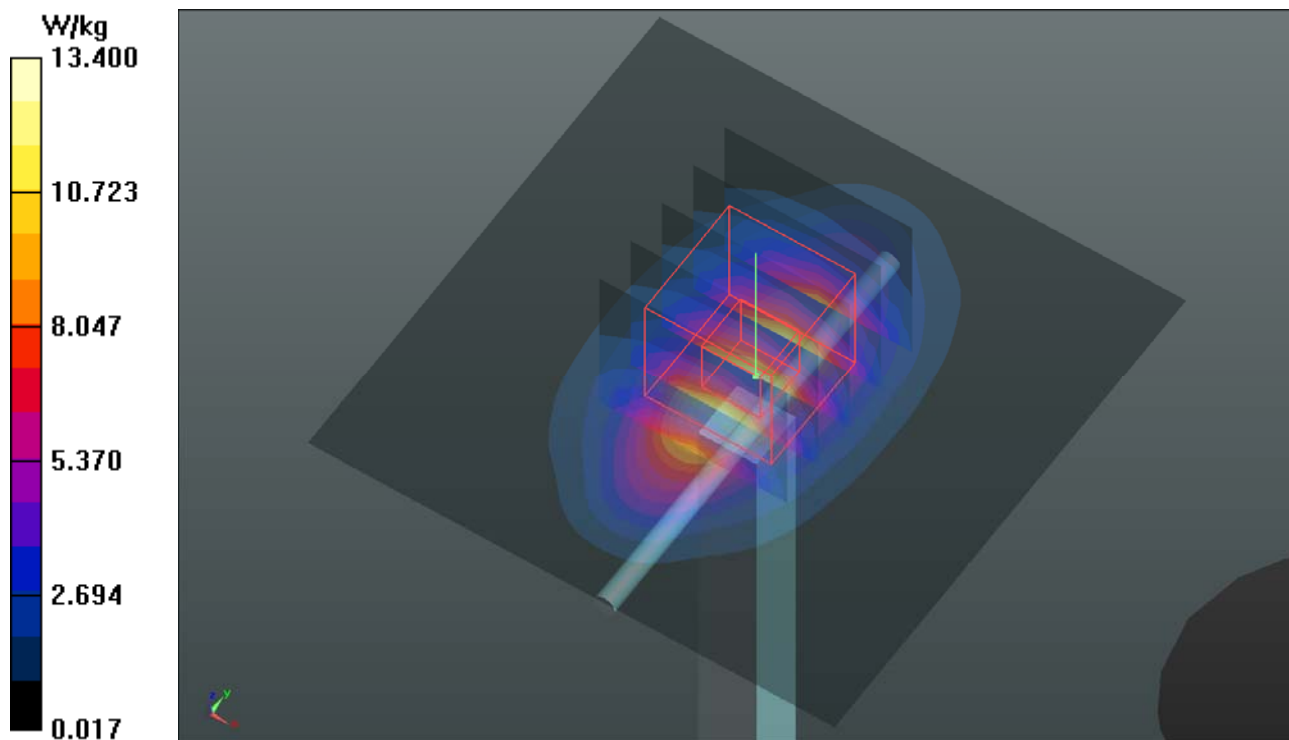
Ambient Temperature : 23.9 °C ; Liquid Temperature : 23.4 °C

DASY5 Configuration:

- Probe: ET3DV6 - SN1790; ConvF(4.94, 4.94, 4.94); Calibrated: 2016/06/24;
- Sensor-Surface: 4mm (Mechanical Surface Detection)
- Electronics: DAE4 Sn1277; Calibrated: 2016/07/22
- Phantom: Twin SAM Phantom\_1653; Type: QD000P40;
- Measurement SW: DASY52, Version 52.8 (8); SEMCAD X Version 14.6.10 (7373)

**Pin=250mW/Area Scan (61x61x1):** Interpolated grid: dx=1.500 mm, dy=1.500 mm  
Maximum value of SAR (interpolated) = 13.4 W/kg

**Pin=250mW/Zoom Scan (5x5x7)/Cube 0:** Measurement grid: dx=8mm, dy=8mm, dz=5mm  
Reference Value = 100.5 V/m; Power Drift = -0.10 dB  
Peak SAR (extrapolated) = 15.5 W/kg  
**SAR(1 g) = 8.74 W/kg; SAR(10 g) = 4.67 W/kg**  
Maximum value of SAR (measured) = 13.2 W/kg



## System Check\_B1900\_160822

**DUT: Dipole 1900 MHz; Type: D1900V2; SN: 5d036**

Communication System: CW; Frequency: 1900 MHz; Duty Cycle: 1:1

Medium: B16T20N1\_0822 Medium parameters used:  $f = 1900$  MHz;  $\sigma = 1.564$  S/m;  $\epsilon_r = 51.433$ ;  $\rho = 1000$  kg/m<sup>3</sup>

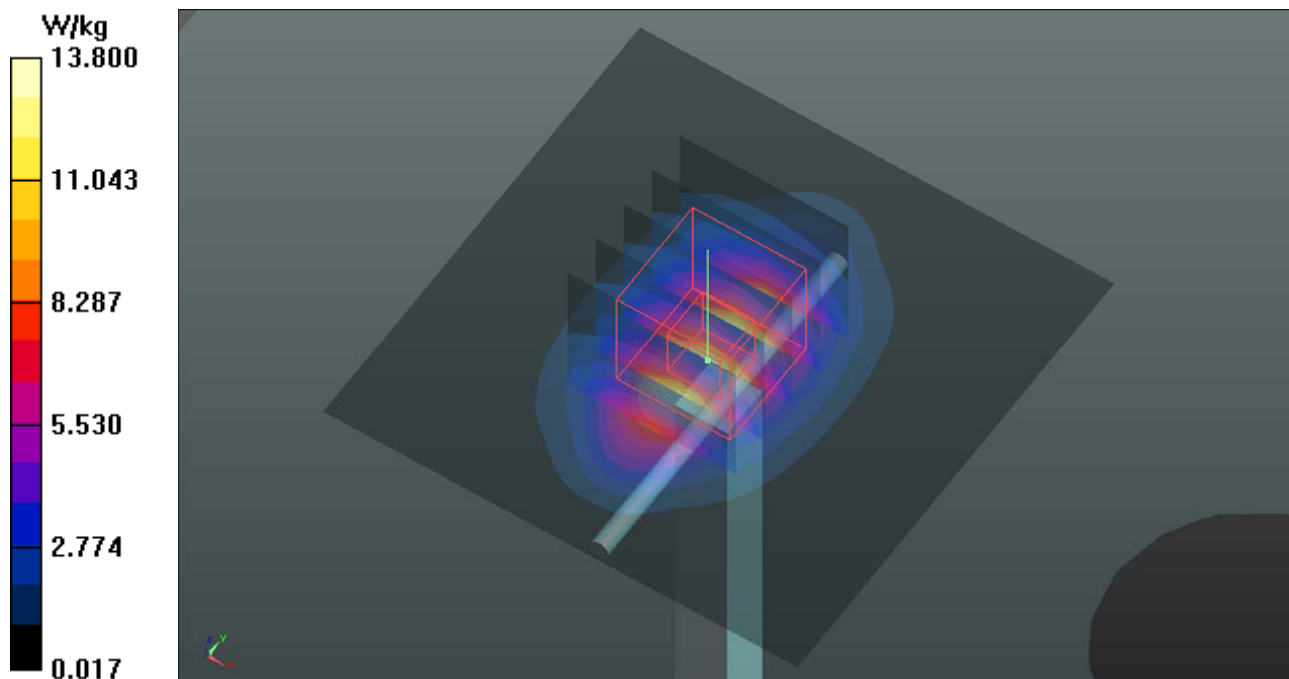
Ambient Temperature : 23.9 °C ; Liquid Temperature : 23.6 °C

DASY5 Configuration:

- Probe: EX3DV4 - SN3650; ConvF(7.89, 7.89, 7.89); Calibrated: 2016/07/25;
- Sensor-Surface: 1.4mm (Mechanical Surface Detection)
- Electronics: DAE4 Sn861; Calibrated: 2016/06/16
- Phantom: Twin SAM Phantom\_1202; Type: QD000P40CA;
- Measurement SW: DASY52, Version 52.8 (8); SEMCAD X Version 14.6.10 (7373)

**Pin=250mW/Area Scan (61x61x1):** Interpolated grid: dx=1.500 mm, dy=1.500 mm  
Maximum value of SAR (interpolated) = 13.8 W/kg

**Pin=250mW/Zoom Scan (5x5x7)/Cube 0:** Measurement grid: dx=8mm, dy=8mm, dz=5mm  
Reference Value = 95.33 V/m; Power Drift = -0.01 dB  
Peak SAR (extrapolated) = 16.9 W/kg  
**SAR(1 g) = 9.62 W/kg; SAR(10 g) = 5.07 W/kg**  
Maximum value of SAR (measured) = 13.6 W/kg



### System Check\_B2450\_160823

**DUT: Dipole 2450 MHz; Type: D2450V2; SN: 869**

Communication System: CW; Frequency: 2450 MHz; Duty Cycle: 1:1

Medium: B19T27N2\_0823 Medium parameters used:  $f = 2450$  MHz;  $\sigma = 2.043$  S/m;  $\epsilon_r = 51.362$ ;  $\rho = 1000$  kg/m<sup>3</sup>

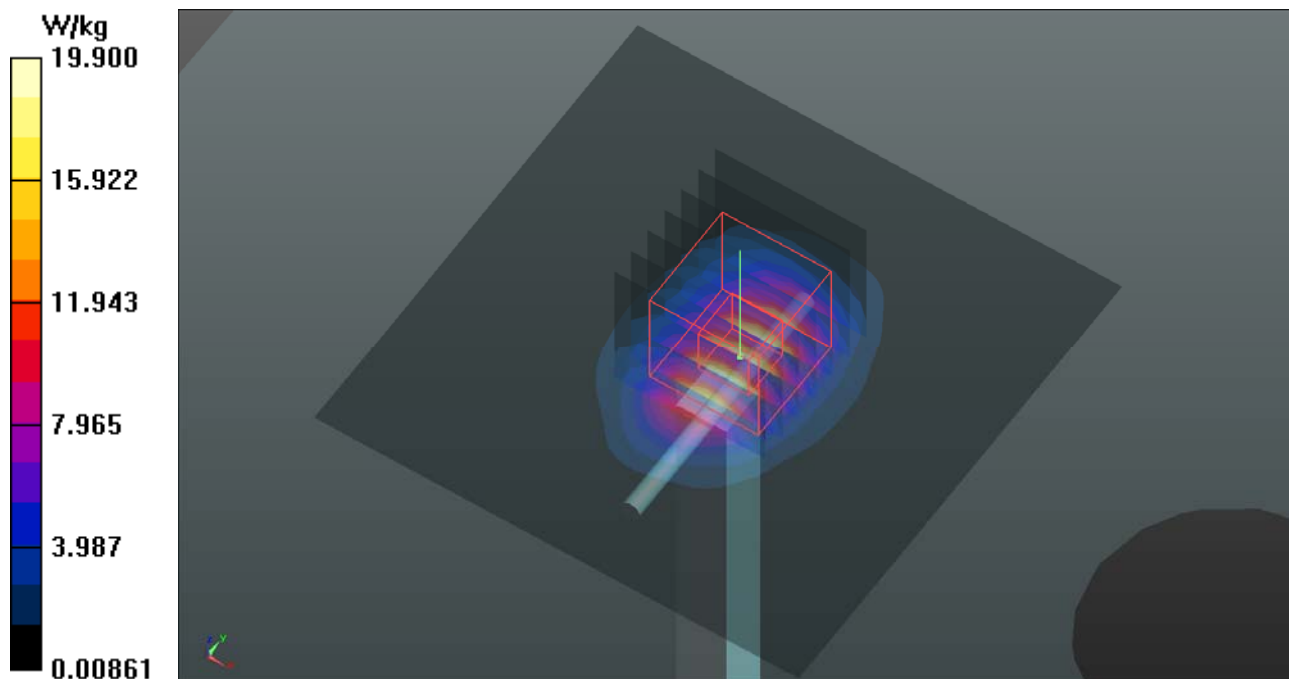
Ambient Temperature : 23.7 °C ; Liquid Temperature : 23.5 °C

DASY5 Configuration:

- Probe: EX3DV4 - SN3650; ConvF(7.36, 7.36, 7.36); Calibrated: 2016/07/25;
- Sensor-Surface: 1.4mm (Mechanical Surface Detection)
- Electronics: DAE4 Sn861; Calibrated: 2016/06/16
- Phantom: Twin SAM Phantom\_1202; Type: QD000P40CA;
- Measurement SW: DASY52, Version 52.8 (8); SEMCAD X Version 14.6.10 (7373)

**Pin=250mW/Area Scan (81x81x1):** Interpolated grid: dx=1.200 mm, dy=1.200 mm  
Maximum value of SAR (interpolated) = 19.9 W/kg

**Pin=250mW/Zoom Scan (7x7x7)/Cube 0:** Measurement grid: dx=5mm, dy=5mm, dz=5mm  
Reference Value = 92.67 V/m; Power Drift = -0.01 dB  
Peak SAR (extrapolated) = 25.0 W/kg  
**SAR(1 g) = 12.2 W/kg; SAR(10 g) = 5.68 W/kg**  
Maximum value of SAR (measured) = 20.5 W/kg



## System Check\_B5300\_160819

**DUT: Dipole 5 GHz; Type: D5GHzV2; SN: 1040**

Communication System: CW; Frequency: 5300 MHz; Duty Cycle: 1:1

Medium: B34T60N2\_0819 Medium parameters used:  $f = 5300$  MHz;  $\sigma = 5.54$  S/m;  $\epsilon_r = 46.826$ ;  $\rho = 1000$  kg/m<sup>3</sup>

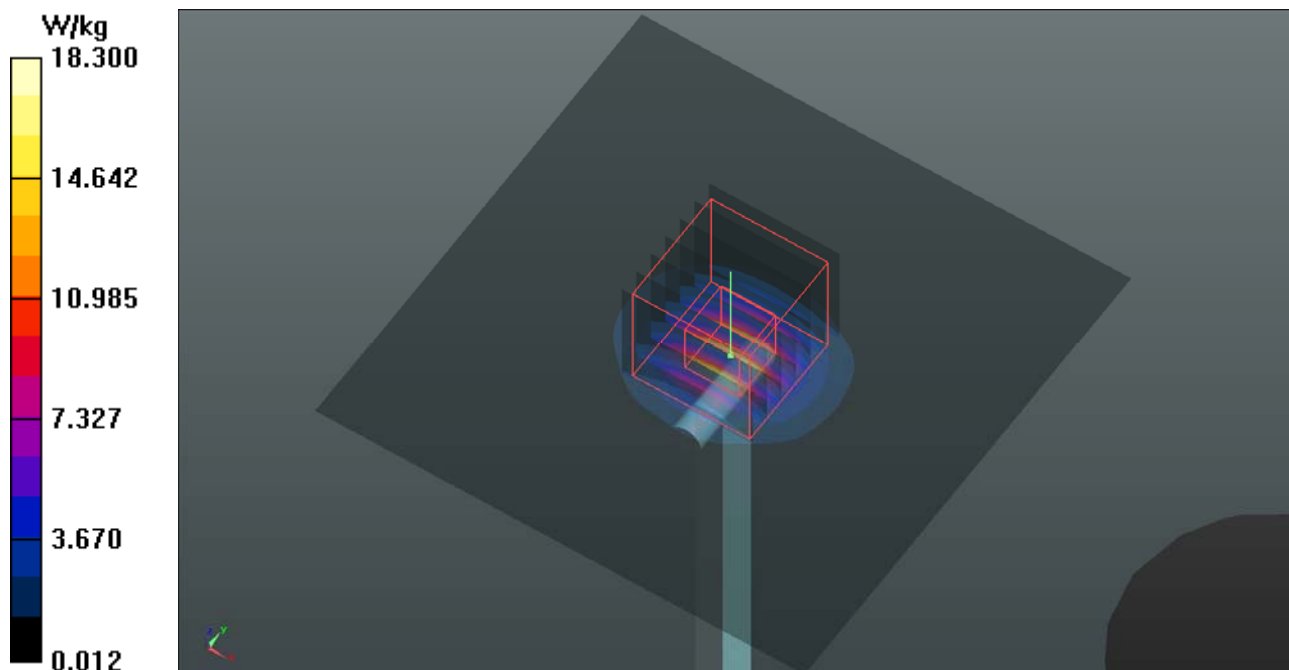
Ambient Temperature : 23.6 °C ; Liquid Temperature : 23.4 °C

DASY5 Configuration:

- Probe: EX3DV4 - SN3971; ConvF(4.26, 4.26, 4.26); Calibrated: 2016/03/23;
- Sensor-Surface: 1.4mm (Mechanical Surface Detection)
- Electronics: DAE4 Sn1431; Calibrated: 2016/03/21
- Phantom: Twin SAM Phantom\_1654; Type: QD000P40;
- Measurement SW: DASY52, Version 52.8 (8); SEMCAD X Version 14.6.10 (7373)

**Pin=100mW/Area Scan (91x91x1):** Interpolated grid: dx=1.000 mm, dy=1.000 mm  
Maximum value of SAR (interpolated) = 18.3 W/kg

**Pin=100mW/Zoom Scan (7x7x12)/Cube 0:** Measurement grid: dx=4mm, dy=4mm, dz=2mm  
Reference Value = 58.02 V/m; Power Drift = -0.09 dB  
Peak SAR (extrapolated) = 30.7 W/kg  
**SAR(1 g) = 7.81 W/kg; SAR(10 g) = 2.26 W/kg**  
Maximum value of SAR (measured) = 19.3 W/kg



### System Check\_B5600\_160823

**DUT: Dipole 5 GHz; Type: D5GHzV2; SN: 1040**

Communication System: CW; Frequency: 5600 MHz; Duty Cycle: 1:1

Medium: B34T60N1\_0823 Medium parameters used:  $f = 5600$  MHz;  $\sigma = 5.748$  S/m;  $\epsilon_r = 48.239$ ;  $\rho = 1000$  kg/m<sup>3</sup>

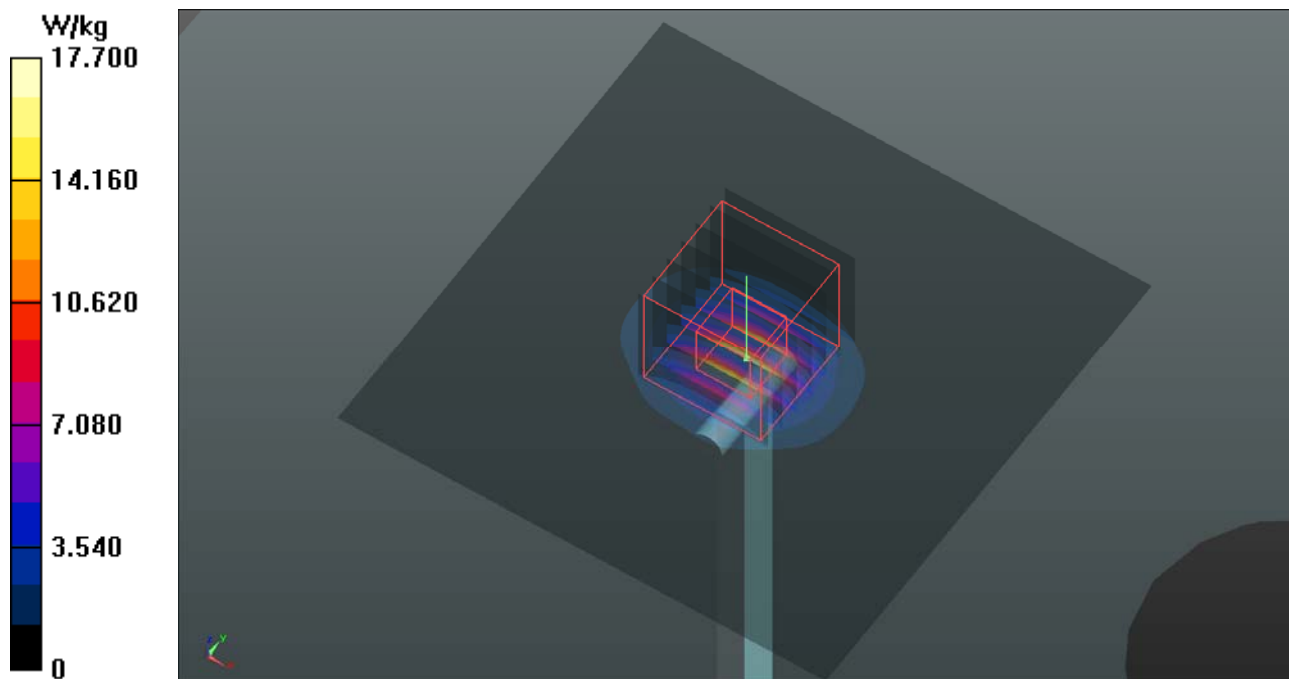
Ambient Temperature : 23.9 °C ; Liquid Temperature : 23.6 °C

DASY5 Configuration:

- Probe: EX3DV4 - SN3650; ConvF(4.01, 4.01, 4.01); Calibrated: 2016/07/25;
- Sensor-Surface: 1.4mm (Mechanical Surface Detection)
- Electronics: DAE4 Sn861; Calibrated: 2016/06/16
- Phantom: Twin SAM Phantom\_1202; Type: QD000P40CA;
- Measurement SW: DASY52, Version 52.8 (8); SEMCAD X Version 14.6.10 (7373)

**Pin=100mW/Area Scan (91x91x1):** Interpolated grid: dx=1.000 mm, dy=1.000 mm  
Maximum value of SAR (interpolated) = 17.7 W/kg

**Pin=100mW/Zoom Scan (7x7x12)/Cube 0:** Measurement grid: dx=4mm, dy=4mm, dz=2mm  
Reference Value = 60.18 V/m; Power Drift = -0.08 dB  
Peak SAR (extrapolated) = 30.2 W/kg  
**SAR(1 g) = 7.65 W/kg; SAR(10 g) = 2.18 W/kg**  
Maximum value of SAR (measured) = 19.5 W/kg



## System Check\_B5800\_160819

**DUT: Dipole 5 GHz; Type: D5GHzV2; SN: 1040**

Communication System: CW; Frequency: 5800 MHz; Duty Cycle: 1:1

Medium: B34T60N2\_0819 Medium parameters used:  $f = 5800$  MHz;  $\sigma = 6.216$  S/m;  $\epsilon_r = 46.005$ ;  $\rho = 1000$  kg/m<sup>3</sup>

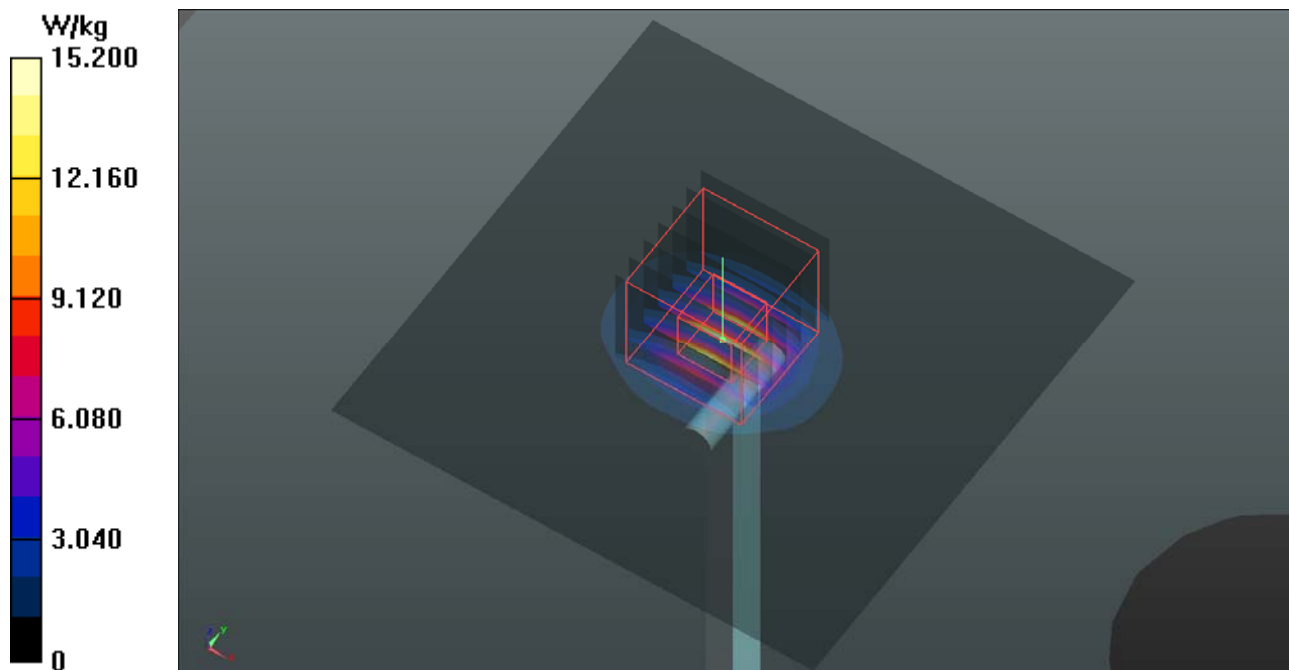
Ambient Temperature : 23.6 °C ; Liquid Temperature : 23.4 °C

DASY5 Configuration:

- Probe: EX3DV4 - SN3971; ConvF(3.9, 3.9, 3.9); Calibrated: 2016/03/23;
- Sensor-Surface: 1.4mm (Mechanical Surface Detection)
- Electronics: DAE4 Sn1431; Calibrated: 2016/03/21
- Phantom: Twin SAM Phantom\_1654; Type: QD000P40;
- Measurement SW: DASY52, Version 52.8 (8); SEMCAD X Version 14.6.10 (7373)

**Pin=100mW/Area Scan (91x91x1):** Interpolated grid: dx=1.000 mm, dy=1.000 mm  
Maximum value of SAR (interpolated) = 15.2 W/kg

**Pin=100mW/Zoom Scan (7x7x12)/Cube 0:** Measurement grid: dx=4mm, dy=4mm, dz=2mm  
Reference Value = 56.48 V/m; Power Drift = 0.02 dB  
Peak SAR (extrapolated) = 35.8 W/kg  
**SAR(1 g) = 8.1 W/kg; SAR(10 g) = 2.26 W/kg**  
Maximum value of SAR (measured) = 17.5 W/kg



### System Check\_B5300\_160823

**DUT: Dipole 5 GHz; Type: D5GHzV2; SN: 1040**

Communication System: CW; Frequency: 5300 MHz; Duty Cycle: 1:1

Medium: B34T60N1\_0823 Medium parameters used:  $f = 5300$  MHz;  $\sigma = 5.412$  S/m;  $\epsilon_r = 48.861$ ;  $\rho = 1000$  kg/m<sup>3</sup>

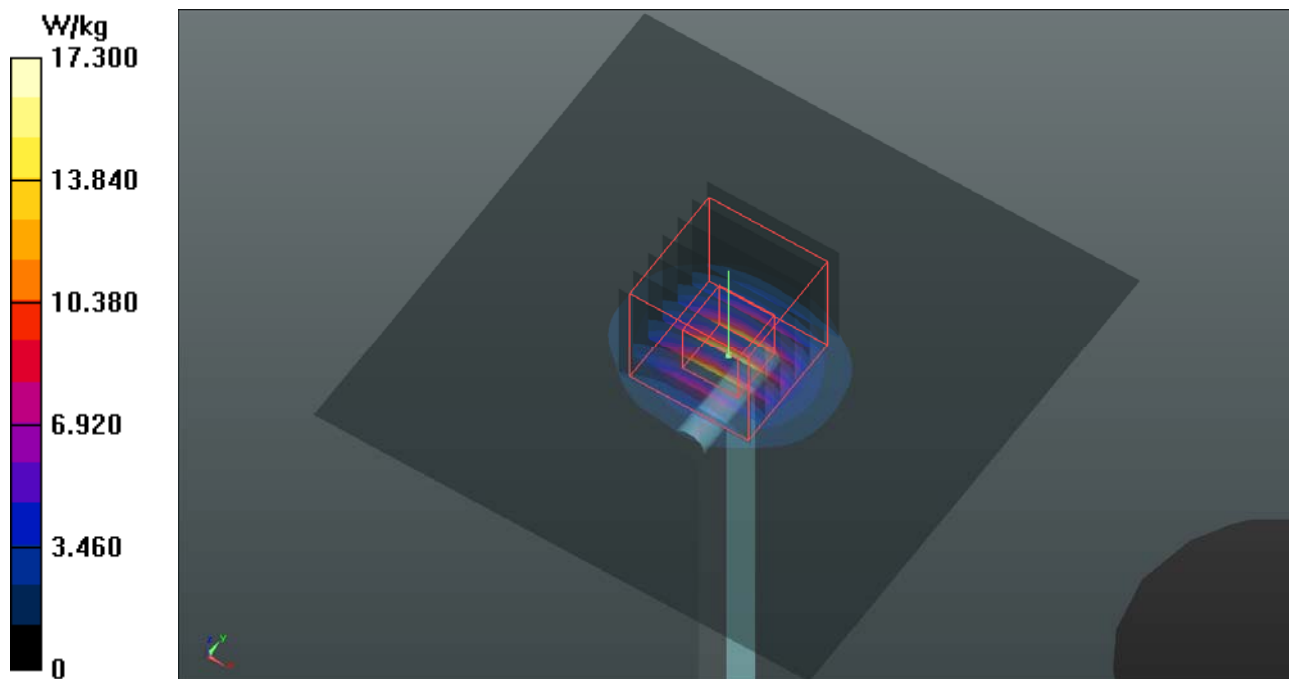
Ambient Temperature : 23.9 °C ; Liquid Temperature : 23.6 °C

DASY5 Configuration:

- Probe: EX3DV4 - SN3650; ConvF(4.75, 4.75, 4.75); Calibrated: 2016/07/25;
- Sensor-Surface: 1.4mm (Mechanical Surface Detection)
- Electronics: DAE4 Sn861; Calibrated: 2016/06/16
- Phantom: Twin SAM Phantom\_1202; Type: QD000P40CA;
- Measurement SW: DASY52, Version 52.8 (8); SEMCAD X Version 14.6.10 (7373)

**Pin=100mW/Area Scan (91x91x1):** Interpolated grid: dx=1.000 mm, dy=1.000 mm  
Maximum value of SAR (interpolated) = 17.3 W/kg

**Pin=100mW/Zoom Scan (7x7x12)/Cube 0:** Measurement grid: dx=4mm, dy=4mm, dz=2mm  
Reference Value = 58.77 V/m; Power Drift = 0.02 dB  
Peak SAR (extrapolated) = 29.1 W/kg  
**SAR(1 g) = 7.48 W/kg; SAR(10 g) = 2.13 W/kg**  
Maximum value of SAR (measured) = 18.7 W/kg



### System Check\_B5600\_160823

**DUT: Dipole 5 GHz; Type: D5GHzV2; SN: 1040**

Communication System: CW; Frequency: 5600 MHz; Duty Cycle: 1:1

Medium: B34T60N1\_0823 Medium parameters used:  $f = 5600$  MHz;  $\sigma = 5.748$  S/m;  $\epsilon_r = 48.239$ ;  $\rho = 1000$  kg/m<sup>3</sup>

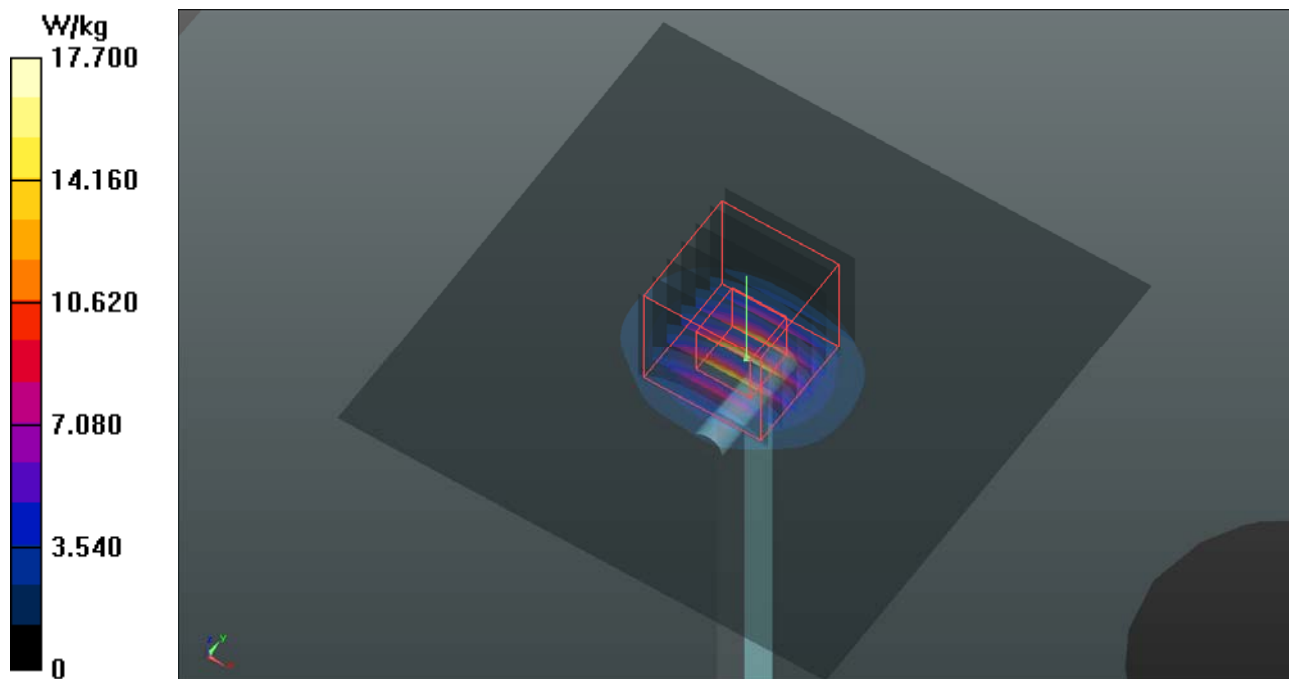
Ambient Temperature : 23.9 °C ; Liquid Temperature : 23.6 °C

DASY5 Configuration:

- Probe: EX3DV4 - SN3650; ConvF(4.01, 4.01, 4.01); Calibrated: 2016/07/25;
- Sensor-Surface: 1.4mm (Mechanical Surface Detection)
- Electronics: DAE4 Sn861; Calibrated: 2016/06/16
- Phantom: Twin SAM Phantom\_1202; Type: QD000P40CA;
- Measurement SW: DASY52, Version 52.8 (8); SEMCAD X Version 14.6.10 (7373)

**Pin=100mW/Area Scan (91x91x1):** Interpolated grid: dx=1.000 mm, dy=1.000 mm  
Maximum value of SAR (interpolated) = 17.7 W/kg

**Pin=100mW/Zoom Scan (7x7x12)/Cube 0:** Measurement grid: dx=4mm, dy=4mm, dz=2mm  
Reference Value = 60.18 V/m; Power Drift = -0.08 dB  
Peak SAR (extrapolated) = 30.2 W/kg  
**SAR(1 g) = 7.65 W/kg; SAR(10 g) = 2.18 W/kg**  
Maximum value of SAR (measured) = 19.5 W/kg





### System Check\_B5800\_160823

**DUT: Dipole 5 GHz; Type: D5GHzV2; SN: 1040**

Communication System: CW; Frequency: 5800 MHz; Duty Cycle: 1:1

Medium: B34T60N1\_0823 Medium parameters used:  $f = 5800$  MHz;  $\sigma = 6$  S/m;  $\epsilon_r = 48.37$ ;  $\rho = 1000$  kg/m<sup>3</sup>

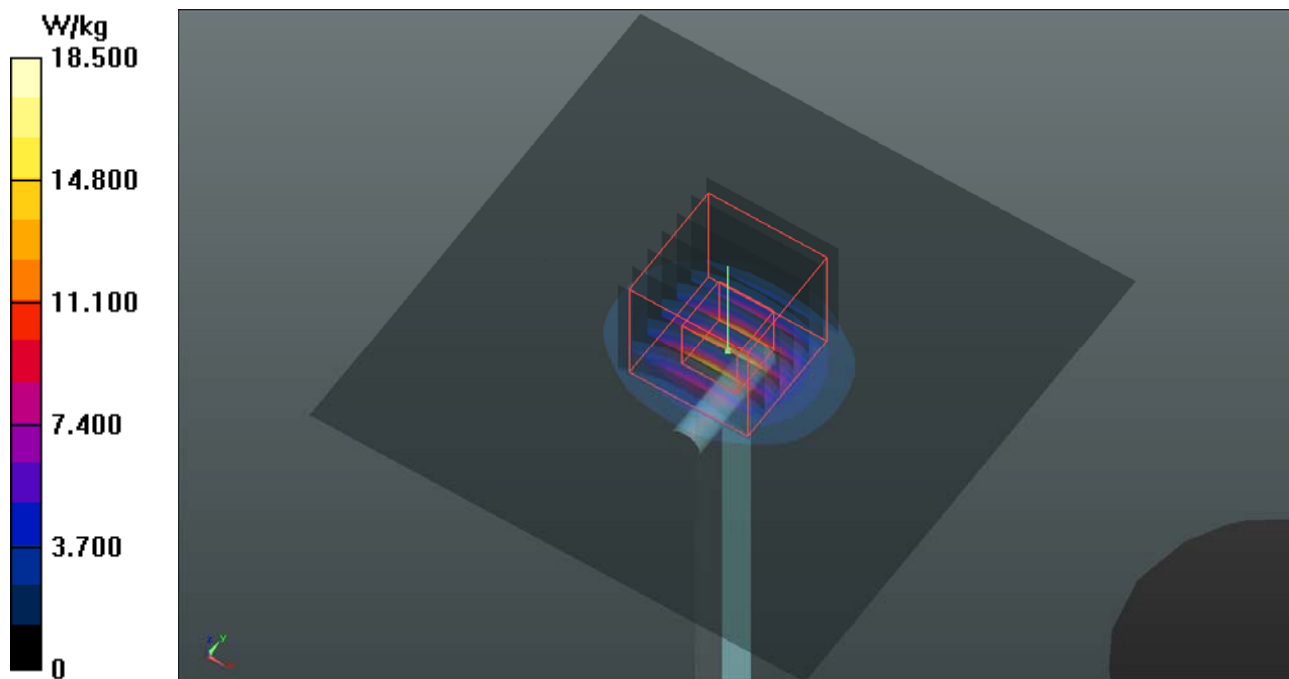
Ambient Temperature : 23.9 °C ; Liquid Temperature : 23.6 °C

DASY5 Configuration:

- Probe: EX3DV4 - SN3650; ConvF(4.36, 4.36, 4.36); Calibrated: 2016/07/25;
- Sensor-Surface: 1.4mm (Mechanical Surface Detection)
- Electronics: DAE4 Sn861; Calibrated: 2016/06/16
- Phantom: Twin SAM Phantom\_1202; Type: QD000P40CA;
- Measurement SW: DASY52, Version 52.8 (8); SEMCAD X Version 14.6.10 (7373)

**Pin=100mW/Area Scan (91x91x1):** Interpolated grid: dx=1.000 mm, dy=1.000 mm  
Maximum value of SAR (interpolated) = 18.5 W/kg

**Pin=100mW/Zoom Scan (7x7x12)/Cube 0:** Measurement grid: dx=4mm, dy=4mm, dz=2mm  
Reference Value = 59.61 V/m; Power Drift = -0.06 dB  
Peak SAR (extrapolated) = 31.1 W/kg  
**SAR(1 g) = 7.47 W/kg; SAR(10 g) = 2.12 W/kg**  
Maximum value of SAR (measured) = 19.5 W/kg





### Appendix B. SAR Plots of SAR Measurement

The SAR plots for highest measured SAR in each exposure configuration, wireless mode and frequency band combination, and measured SAR > 1.5 W/kg are shown as follows.

## P01 GSM850\_GSM\_Left Cheek\_Ch189

### DUT: 160621C08

Communication System: GSM ; Frequency: 836.4 MHz;Duty Cycle: 1:8.3

Medium: H07T10N3.0825 Medium parameters used:  $f = 836.4$  MHz;  $\sigma = 0.91$  S/m;  $\epsilon_r = 42.767$ ;  $\rho = 1000$  kg/m<sup>3</sup>

Ambient Temperature : 23.9 °C ; Liquid Temperature : 23.5 °C

#### DASY5 Configuration:

- Probe: EX3DV4 - SN3650; ConvF(10.01, 10.01, 10.01); Calibrated: 2016/07/25;
- Sensor-Surface: 1.4mm (Mechanical Surface Detection)
- Electronics: DAE4 Sn861; Calibrated: 2016/06/16
- Phantom: Twin SAM Phantom\_1202; Type: QD000P40CA;
- Measurement SW: DASY52, Version 52.8 (8); SEMCAD X Version 14.6.10 (7373)

- **Area Scan (61x121x1):** Interpolated grid: dx=1.500 mm, dy=1.500 mm

Maximum value of SAR (interpolated) = 0.575 W/kg

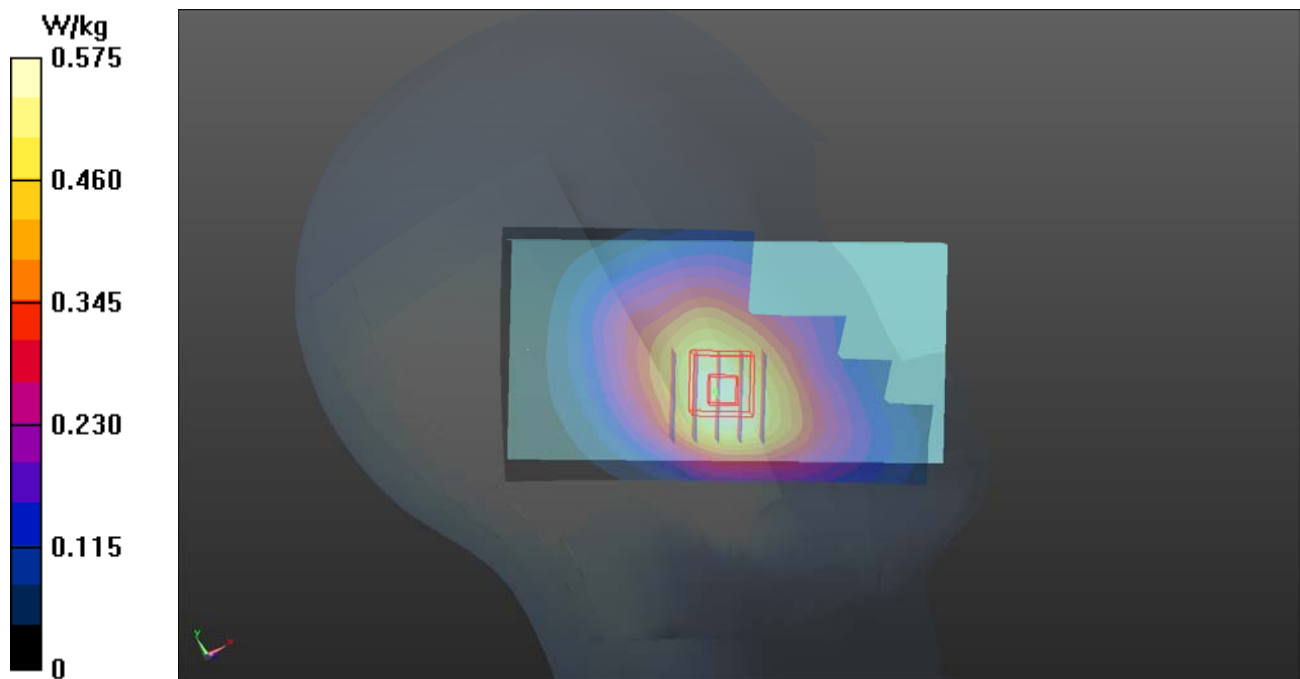
- **Zoom Scan (5x5x7)/Cube 0:** Measurement grid: dx=8mm, dy=8mm, dz=5mm

Reference Value = 7.428 V/m; Power Drift = -0.04 dB

Peak SAR (extrapolated) = 0.591 W/kg

**SAR(1 g) = 0.478 W/kg; SAR(10 g) = 0.371 W/kg**

Maximum value of SAR (measured) = 0.546 W/kg



## P02 GSM1900\_GSM\_Right Cheek\_Ch512

**DUT: 160621C08**

Communication System: GSM; Frequency: 1850.2 MHz; Duty Cycle: 1:8.3

Medium: H16T20N1\_0901 Medium parameters used:  $f = 1850.2$  MHz;  $\sigma = 1.422$  S/m;  $\epsilon_r = 38.354$ ;  $\rho = 1000$  kg/m<sup>3</sup>

Ambient Temperature : 23.9 °C ; Liquid Temperature : 23.6 °C

DASY5 Configuration:

- Probe: ET3DV6 - SN1790; ConvF(5.35, 5.35, 5.35); Calibrated: 2016/06/24;
- Sensor-Surface: 4mm (Mechanical Surface Detection)
- Electronics: DAE4 Sn1277; Calibrated: 2016/07/22
- Phantom: Twin SAM Phantom\_1654; Type: QD000P40;
- Measurement SW: DASY52, Version 52.8 (8); SEMCAD X Version 14.6.10 (7373)

- **Area Scan (71x121x1):** Interpolated grid: dx=1.500 mm, dy=1.500 mm

Maximum value of SAR (interpolated) = 0.276 W/kg

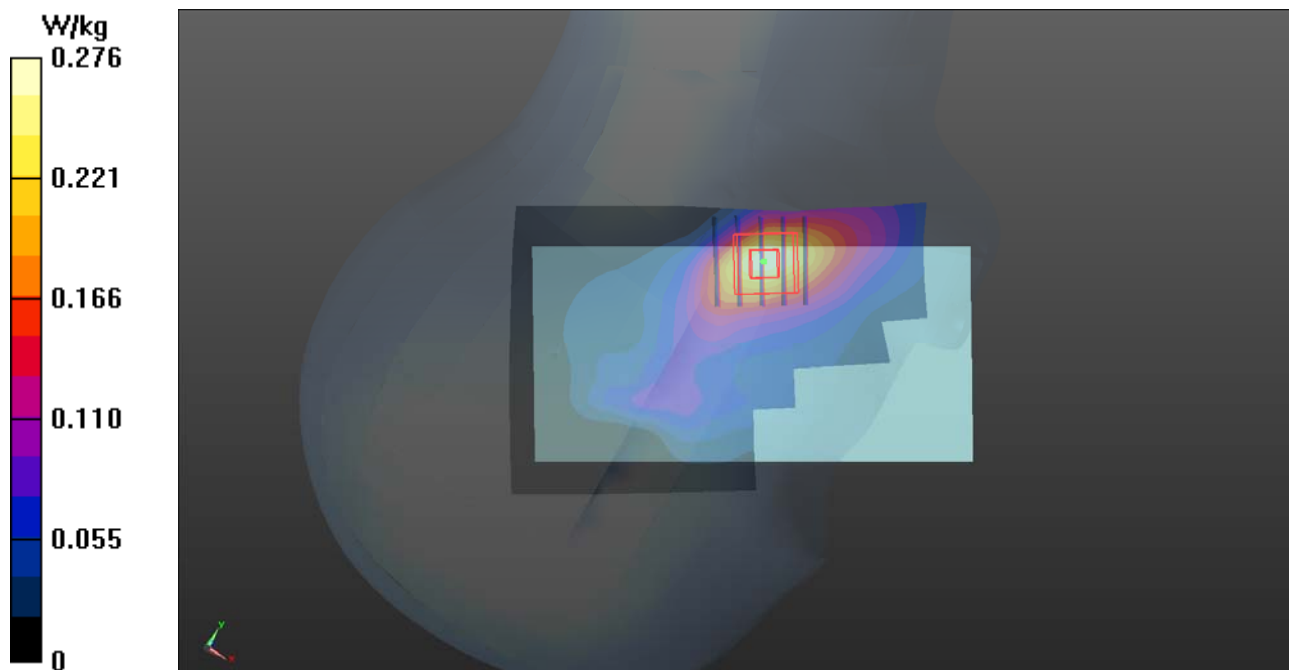
- **Zoom Scan (5x5x7)/Cube 0:** Measurement grid: dx=8mm, dy=8mm, dz=5mm

Reference Value = 3.988 V/m; Power Drift = 0.11 dB

Peak SAR (extrapolated) = 0.334 W/kg

**SAR(1 g) = 0.242 W/kg; SAR(10 g) = 0.155 W/kg**

Maximum value of SAR (measured) = 0.264 W/kg



### P03 CDMA2000 BC0\_RC3+SO55\_Left Cheek\_Ch1013

#### DUT: 160621C08

Communication System: CDMA2000 RC3; Frequency: 824.7 MHz; Duty Cycle: 1:1

Medium: H07T10N3\_0817 Medium parameters used:  $f = 825 \text{ MHz}$ ;  $\sigma = 0.894 \text{ S/m}$ ;  $\epsilon_r = 43.292$ ;  $\rho = 1000 \text{ kg/m}^3$

Ambient Temperature :  $23.7 \text{ }^\circ\text{C}$  ; Liquid Temperature :  $23.5 \text{ }^\circ\text{C}$

#### DASY5 Configuration:

- Probe: EX3DV4 - SN3971; ConvF(10.09, 10.09, 10.09); Calibrated: 2016/03/23;
- Sensor-Surface: 1.4mm (Mechanical Surface Detection)
- Electronics: DAE4 Sn1431; Calibrated: 2016/03/21
- Phantom: Twin SAM Phantom\_1654; Type: QD000P40;
- Measurement SW: DASY52, Version 52.8 (8); SEMCAD X Version 14.6.10 (7373)

- **Area Scan (71x121x1):** Interpolated grid:  $dx=1.500 \text{ mm}$ ,  $dy=1.500 \text{ mm}$

Maximum value of SAR (interpolated) =  $0.547 \text{ W/kg}$

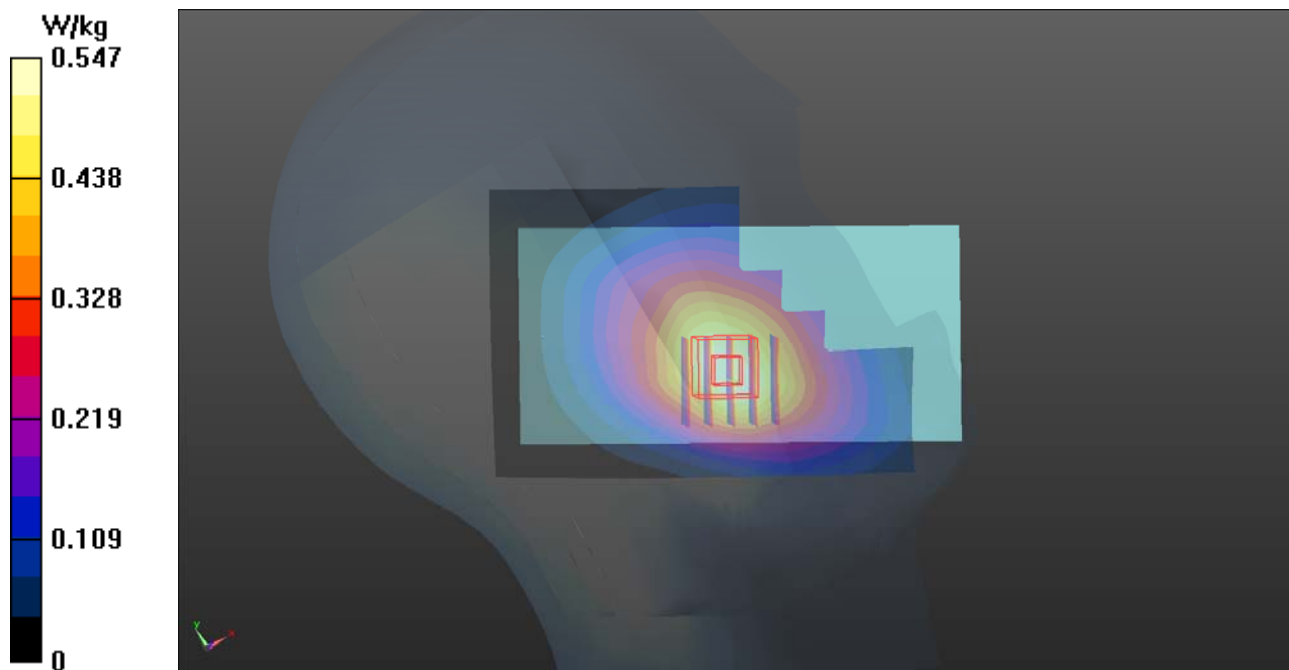
- **Zoom Scan (5x5x7)/Cube 0:** Measurement grid:  $dx=8\text{mm}$ ,  $dy=8\text{mm}$ ,  $dz=5\text{mm}$

Reference Value =  $7.785 \text{ V/m}$ ; Power Drift =  $-0.03 \text{ dB}$

Peak SAR (extrapolated) =  $0.605 \text{ W/kg}$

**SAR(1 g) =  $0.460 \text{ W/kg}$ ; SAR(10 g) =  $0.350 \text{ W/kg}$**

Maximum value of SAR (measured) =  $0.547 \text{ W/kg}$



## P04 CDMA2000 BC1\_RC3+SO55\_Right Cheek\_Ch600

**DUT: 160621C08**

Communication System: CDMA2000; Frequency: 1880 MHz; Duty Cycle: 1:1

Medium: H16T20N2\_0829 Medium parameters used:  $f = 1880$  MHz;  $\sigma = 1.437$  S/m;  $\epsilon_r = 39.448$ ;  $\rho = 1000$  kg/m<sup>3</sup>

Ambient Temperature : 23.9 °C ; Liquid Temperature : 23.3 °C

DASY5 Configuration:

- Probe: ET3DV6 - SN1790; ConvF(5.35, 5.35, 5.35); Calibrated: 2016/06/24;
- Sensor-Surface: 4mm (Mechanical Surface Detection)
- Electronics: DAE4 Sn1277; Calibrated: 2016/07/22
- Phantom: Twin SAM Phantom\_1653; Type: QD000P40;
- Measurement SW: DASY52, Version 52.8 (8); SEMCAD X Version 14.6.10 (7373)

- **Area Scan (61x121x1):** Interpolated grid: dx=1.500 mm, dy=1.500 mm

Maximum value of SAR (interpolated) = 0.410 W/kg

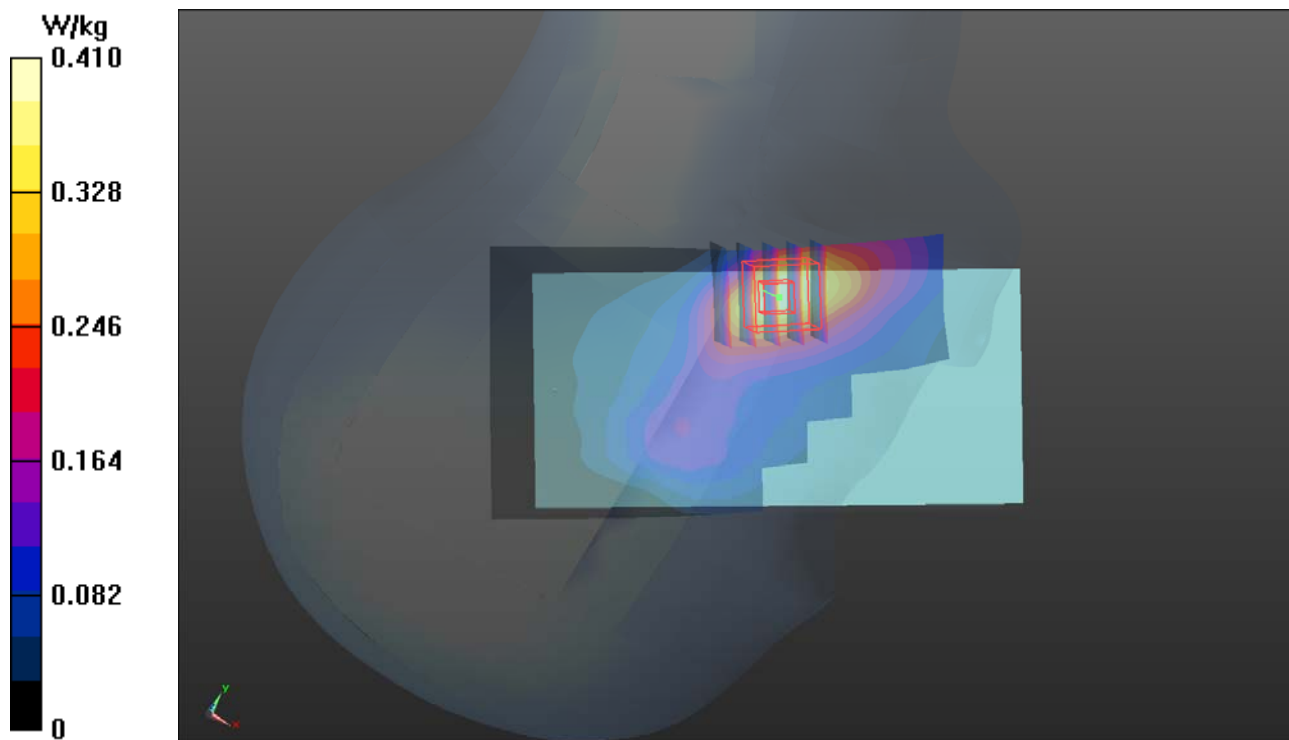
- **Zoom Scan (5x5x7)/Cube 0:** Measurement grid: dx=8mm, dy=8mm, dz=5mm

Reference Value = 4.081 V/m; Power Drift = 0.09 dB

Peak SAR (extrapolated) = 0.511 W/kg

**SAR(1 g) = 0.366 W/kg; SAR(10 g) = 0.237 W/kg**

Maximum value of SAR (measured) = 0.397 W/kg



### P05 LTE 2\_QPSK20M\_Right Cheek\_Ch18900\_1RB\_OS0

**DUT: 160621C08**

Communication System: LTE; Frequency: 1880 MHz; Duty Cycle: 1:1

Medium: H16T20N2\_0829 Medium parameters used:  $f = 1880$  MHz;  $\sigma = 1.437$  S/m;  $\epsilon_r = 39.448$ ;  $\rho = 1000$  kg/m<sup>3</sup>

Ambient Temperature : 23.9 °C ; Liquid Temperature : 23.3 °C

DASY5 Configuration:

- Probe: ET3DV6 - SN1790; ConvF(5.35, 5.35, 5.35); Calibrated: 2016/06/24;
- Sensor-Surface: 4mm (Mechanical Surface Detection)
- Electronics: DAE4 Sn1277; Calibrated: 2016/07/22
- Phantom: Twin SAM Phantom\_1653; Type: QD000P40;
- Measurement SW: DASY52, Version 52.8 (8); SEMCAD X Version 14.6.10 (7373)

- **Area Scan (61x121x1):** Interpolated grid: dx=1.500 mm, dy=1.500 mm

Maximum value of SAR (interpolated) = 0.313 W/kg

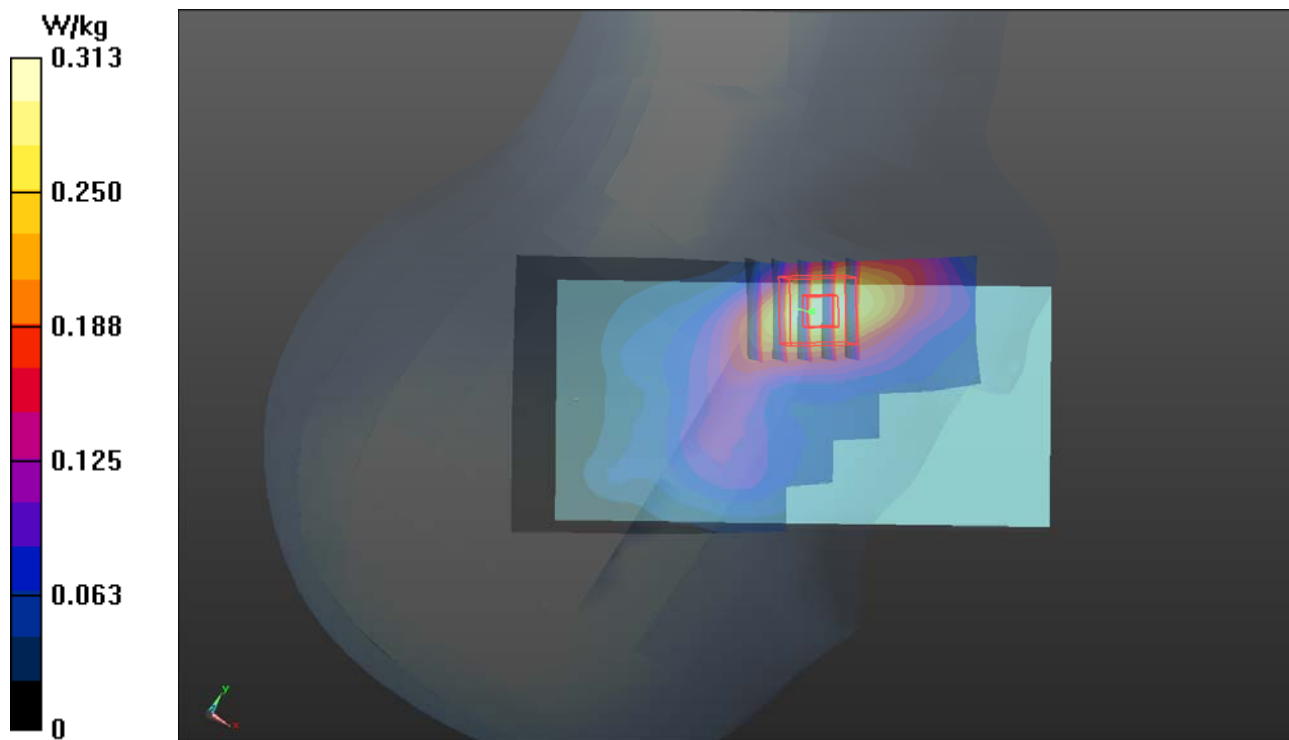
- **Zoom Scan (5x5x7)/Cube 0:** Measurement grid: dx=8mm, dy=8mm, dz=5mm

Reference Value = 0 V/m; Power Drift = 0.00 dB

Peak SAR (extrapolated) = 0.400 W/kg

**SAR(1 g) = 0.283 W/kg; SAR(10 g) = 0.182 W/kg**

Maximum value of SAR (measured) = 0.308 W/kg



## P06 LTE 4\_QPSK20M\_Right Cheek\_Ch20050\_1RB\_OS0

**DUT: 160621C08**

Communication System: LTE; Frequency: 1720 MHz; Duty Cycle: 1:1

Medium: H16T20N2\_0829 Medium parameters used:  $f = 1720$  MHz;  $\sigma = 1.299$  S/m;  $\epsilon_r = 40.036$ ;  $\rho = 1000$  kg/m<sup>3</sup>

Ambient Temperature : 23.9 °C ; Liquid Temperature : 23.3 °C

DASY5 Configuration:

- Probe: ET3DV6 - SN1790; ConvF(5.57, 5.57, 5.57); Calibrated: 2016/06/24;
- Sensor-Surface: 4mm (Mechanical Surface Detection)
- Electronics: DAE4 Sn1277; Calibrated: 2016/07/22
- Phantom: Twin SAM Phantom\_1653; Type: QD000P40;
- Measurement SW: DASY52, Version 52.8 (8); SEMCAD X Version 14.6.10 (7373)

- **Area Scan (61x121x1):** Interpolated grid: dx=1.500 mm, dy=1.500 mm

Maximum value of SAR (interpolated) = 0.355 W/kg

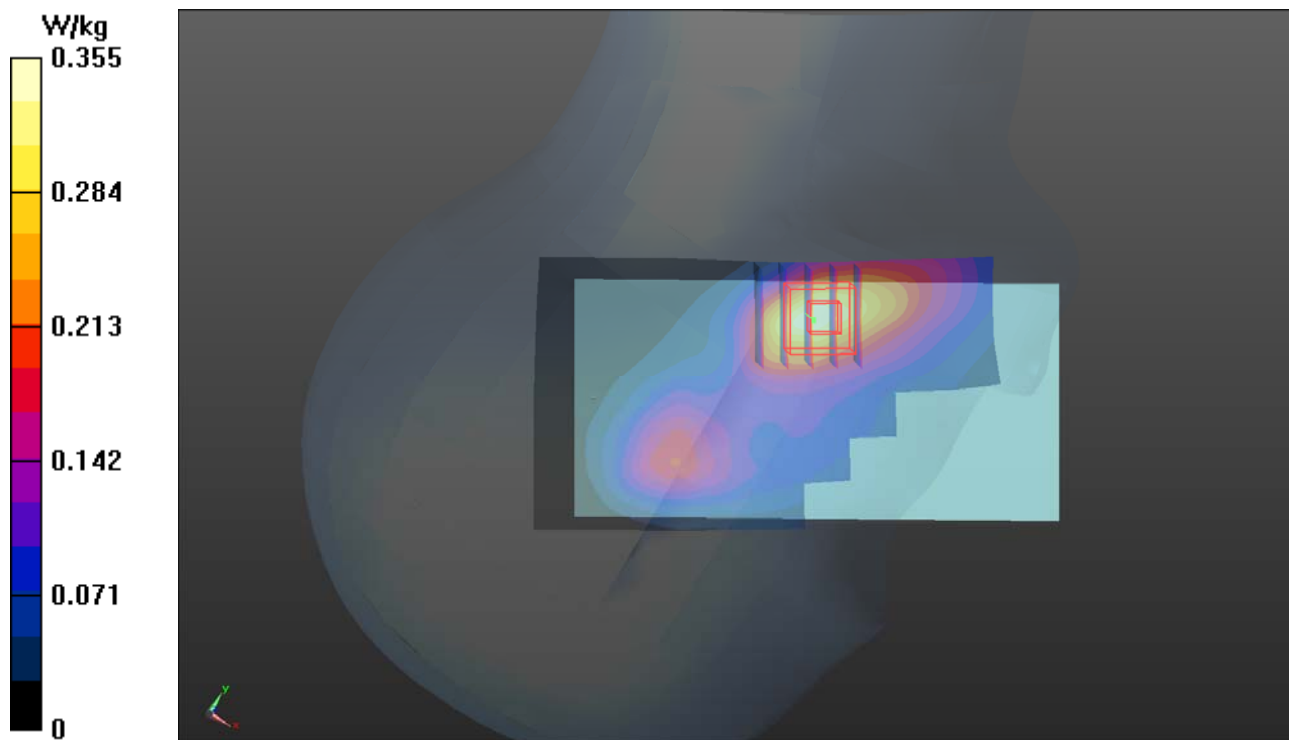
- **Zoom Scan (5x5x7)/Cube 0:** Measurement grid: dx=8mm, dy=8mm, dz=5mm

Reference Value = 3.743 V/m; Power Drift = 0.16 dB

Peak SAR (extrapolated) = 0.411 W/kg

**SAR(1 g) = 0.304 W/kg; SAR(10 g) = 0.205 W/kg**

Maximum value of SAR (measured) = 0.325 W/kg





### P07 LTE 5\_QPSK10M\_Left Cheek\_Ch20525\_1RB\_OS0

**DUT: 160621C08**

Communication System: LTE; Frequency: 836.5 MHz; Duty Cycle: 1:1

Medium: H07T10N3\_0818 Medium parameters used:  $f = 836.5$  MHz;  $\sigma = 0.905$  S/m;  $\epsilon_r = 43.148$ ;  $\rho = 1000$  kg/m<sup>3</sup>

Ambient Temperature : 23.7 °C ; Liquid Temperature : 23.5 °C

DASY5 Configuration:

- Probe: EX3DV4 - SN3971; ConvF(10.09, 10.09, 10.09); Calibrated: 2016/03/23;
- Sensor-Surface: 1.4mm (Mechanical Surface Detection)
- Electronics: DAE4 Sn1431; Calibrated: 2016/03/21
- Phantom: Twin SAM Phantom\_1654; Type: QD000P40;
- Measurement SW: DASY52, Version 52.8 (8); SEMCAD X Version 14.6.10 (7373)

- **Area Scan (71x121x1):** Interpolated grid: dx=1.500 mm, dy=1.500 mm

Maximum value of SAR (interpolated) = 0.344 W/kg

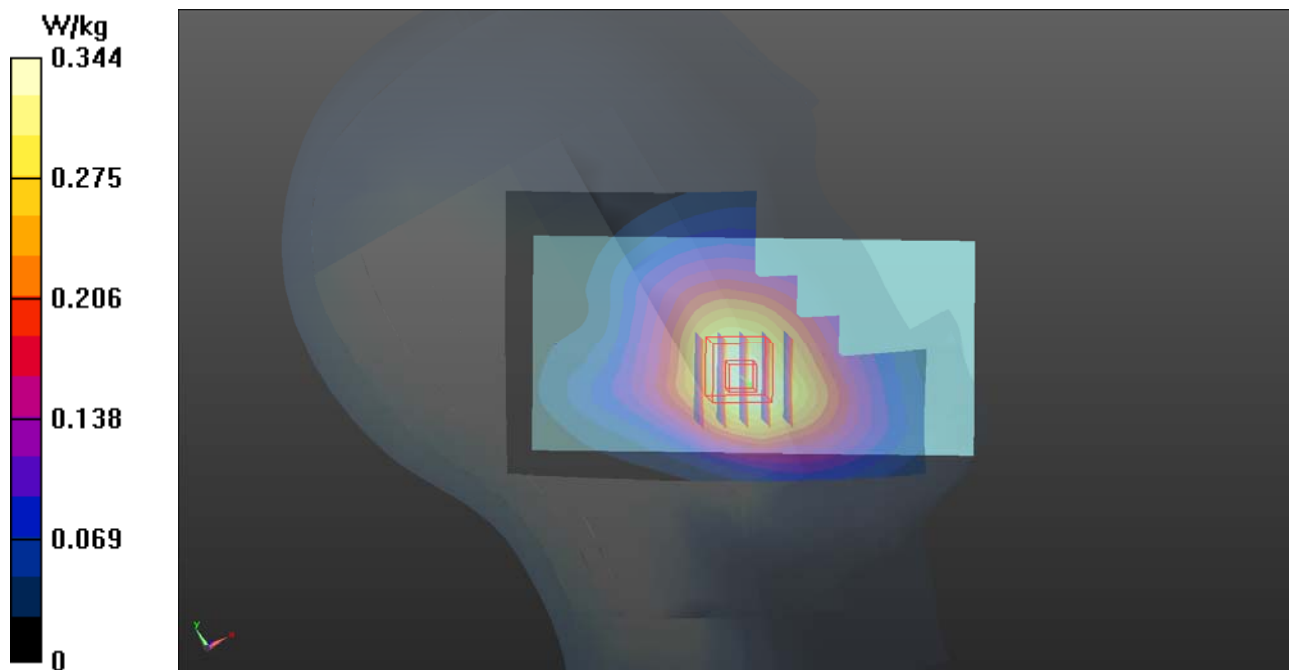
- **Zoom Scan (5x5x7)/Cube 0:** Measurement grid: dx=8mm, dy=8mm, dz=5mm

Reference Value = 5.188 V/m; Power Drift = 0.08 dB

Peak SAR (extrapolated) = 0.369 W/kg

**SAR(1 g) = 0.285 W/kg; SAR(10 g) = 0.218 W/kg**

Maximum value of SAR (measured) = 0.339 W/kg



## P08 LTE13\_QPSK10M\_Left Cheek\_Ch23230\_1RB\_OS0

### DUT: 160621C08

Communication System: LTE; Frequency: 782 MHz; Duty Cycle: 1:1

Medium: H06T09N1\_0818 Medium parameters used:  $f = 782 \text{ MHz}$ ;  $\sigma = 0.906 \text{ S/m}$ ;  $\epsilon_r = 39.928$ ;  $\rho = 1000 \text{ kg/m}^3$

Ambient Temperature :  $23.7 \text{ }^\circ\text{C}$  ; Liquid Temperature :  $23.5 \text{ }^\circ\text{C}$

#### DASY5 Configuration:

- Probe: EX3DV4 - SN3971; ConvF(10.3, 10.3, 10.3); Calibrated: 2016/03/23;
- Sensor-Surface: 1.4mm (Mechanical Surface Detection)
- Electronics: DAE4 Sn1431; Calibrated: 2016/03/21
- Phantom: Twin SAM Phantom\_1654; Type: QD000P40;
- Measurement SW: DASY52, Version 52.8 (8); SEMCAD X Version 14.6.10 (7373)

- **Area Scan (71x121x1):** Interpolated grid:  $dx=1.500 \text{ mm}$ ,  $dy=1.500 \text{ mm}$

Maximum value of SAR (interpolated) =  $0.393 \text{ W/kg}$

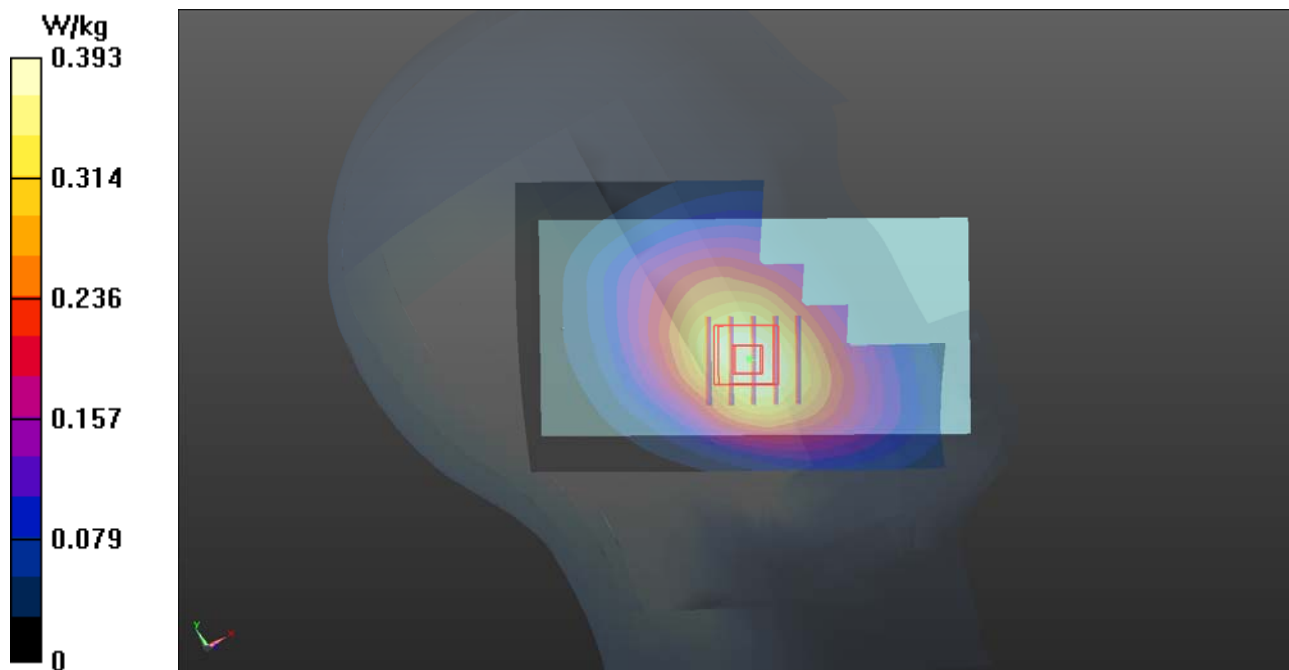
- **Zoom Scan (5x5x7)/Cube 0:** Measurement grid:  $dx=8\text{mm}$ ,  $dy=8\text{mm}$ ,  $dz=5\text{mm}$

Reference Value =  $6.697 \text{ V/m}$ ; Power Drift =  $0.04 \text{ dB}$

Peak SAR (extrapolated) =  $0.418 \text{ W/kg}$

**SAR(1 g) =  $0.340 \text{ W/kg}$ ; SAR(10 g) =  $0.268 \text{ W/kg}$**

Maximum value of SAR (measured) =  $0.395 \text{ W/kg}$



## P09 2.4G WLAN\_802.11b\_Left Cheek\_Ch6

**DUT: 160621C08**

Communication System: WLAN\_2.4G; Frequency: 2437 MHz; Duty Cycle: 1:1

Medium: H19T27N2\_0830 Medium parameters used:  $f = 2437$  MHz;  $\sigma = 1.85$  S/m;  $\epsilon_r = 37.954$ ;  $\rho = 1000$  kg/m<sup>3</sup>

Ambient Temperature : 23.9 °C ; Liquid Temperature : 23.3 °C

DASY5 Configuration:

- Probe: EX3DV4 - SN3864; ConvF(7.75, 7.75, 7.75); Calibrated: 2016/07/25;
- Sensor-Surface: 1.4mm (Mechanical Surface Detection)
- Electronics: DAE3 Sn393; Calibrated: 2016/01/12
- Phantom: Twin SAM Phantom\_1653; Type: QD000P40;
- Measurement SW: DASY52, Version 52.8 (8); SEMCAD X Version 14.6.10 (7373)

- **Area Scan (81x151x1):** Interpolated grid: dx=1.200 mm, dy=1.200 mm

Maximum value of SAR (interpolated) = 0.450 W/kg

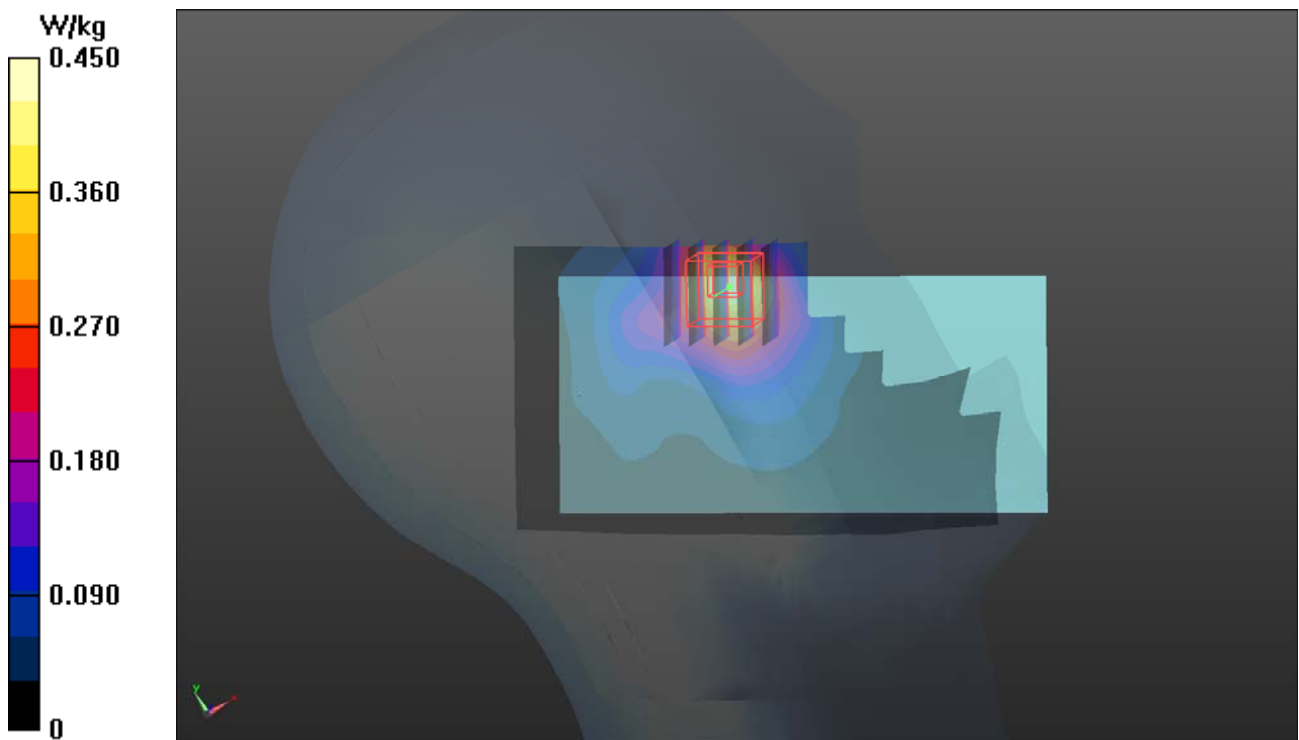
- **Zoom Scan (5x5x7)/Cube 0:** Measurement grid: dx=8mm, dy=8mm, dz=5mm

Reference Value = 4.773 V/m; Power Drift = 0.17 dB

Peak SAR (extrapolated) = 0.552 W/kg

**SAR(1 g) = 0.274 W/kg; SAR(10 g) = 0.144 W/kg**

Maximum value of SAR (measured) = 0.436 W/kg



## P10 5.3G WLAN\_802.11a\_Left Cheek\_Ch52

**DUT: 160621C08**

Communication System: WLAN\_5G; Frequency: 5260 MHz; Duty Cycle: 1:1

Medium: H34T60N1\_0830 Medium parameters used:  $f = 5260$  MHz;  $\sigma = 4.839$  S/m;  $\epsilon_r = 35.134$ ;  $\rho = 1000$  kg/m<sup>3</sup>

Ambient Temperature : 23.8 °C ; Liquid Temperature : 23.2 °C

DASY5 Configuration:

- Probe: EX3DV4 - SN3864; ConvF(5.44, 5.44, 5.44); Calibrated: 2016/07/25;
- Sensor-Surface: 1.4mm (Mechanical Surface Detection)
- Electronics: DAE3 Sn393; Calibrated: 2016/01/12
- Phantom: Twin SAM Phantom\_1653; Type: QD000P40;
- Measurement SW: DASY52, Version 52.8 (8); SEMCAD X Version 14.6.10 (7373)

- **Area Scan (111x181x1)**: Interpolated grid: dx=1.000 mm, dy=1.000 mm

Maximum value of SAR (interpolated) = 0.307 W/kg

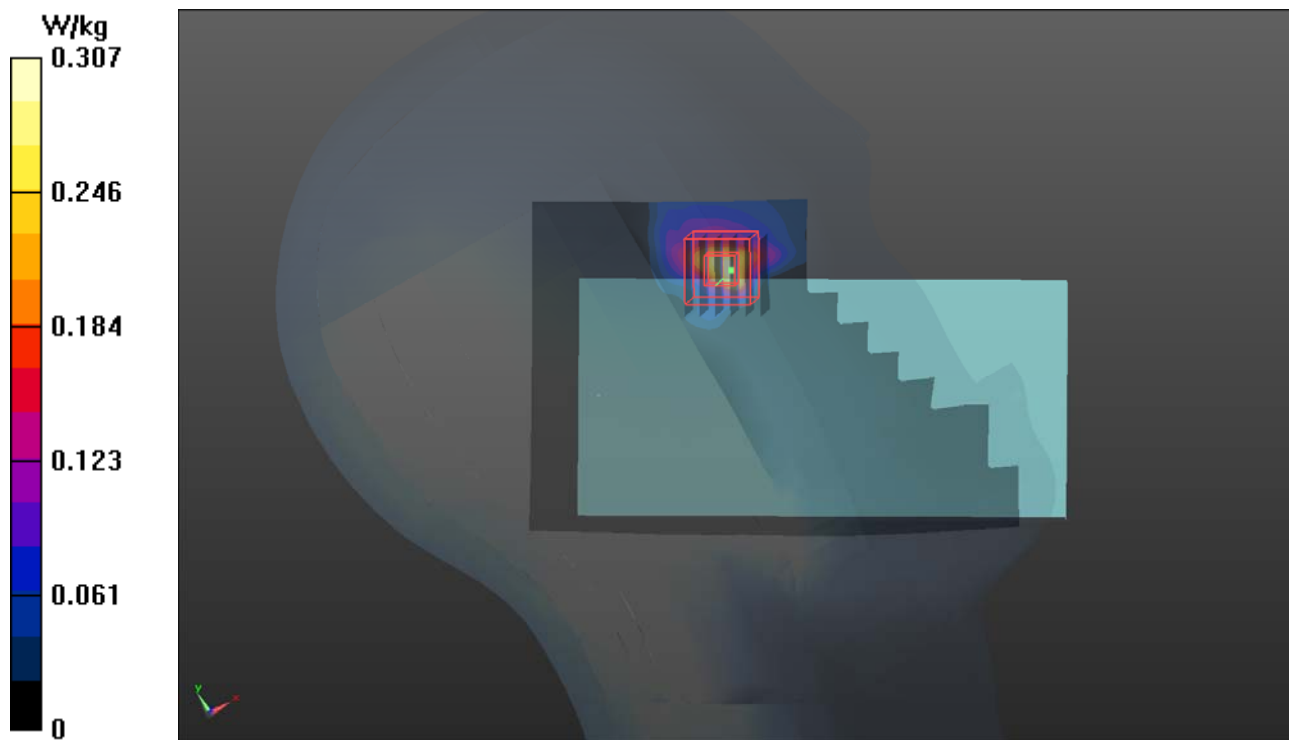
- **Zoom Scan (6x6x12)/Cube 0**: Measurement grid: dx=5mm, dy=5mm, dz=2mm

Reference Value = 0.2870 V/m; Power Drift = -0.18 dB

Peak SAR (extrapolated) = 0.431 W/kg

**SAR(1 g) = 0.125 W/kg; SAR(10 g) = 0.039 W/kg**

Maximum value of SAR (measured) = 0.283 W/kg



## P11 5.6G WLAN\_802.11a\_Left Cheek\_Ch116

**DUT: 160621C08**

Communication System: WLAN\_5G; Frequency: 5580 MHz; Duty Cycle: 1:1

Medium: H34T60N1\_0830 Medium parameters used:  $f = 5580$  MHz;  $\sigma = 5.171$  S/m;  $\epsilon_r = 34.631$ ;  $\rho = 1000$  kg/m<sup>3</sup>

Ambient Temperature : 23.8 °C ; Liquid Temperature : 23.2 °C

DASY5 Configuration:

- Probe: EX3DV4 - SN3864; ConvF(4.95, 4.95, 4.95); Calibrated: 2016/07/25;
- Sensor-Surface: 1.4mm (Mechanical Surface Detection)
- Electronics: DAE3 Sn393; Calibrated: 2016/01/12
- Phantom: Twin SAM Phantom\_1653; Type: QD000P40;
- Measurement SW: DASY52, Version 52.8 (8); SEMCAD X Version 14.6.10 (7373)

- **Area Scan (111x181x1)**: Interpolated grid: dx=1.000 mm, dy=1.000 mm

Maximum value of SAR (interpolated) = 0.302 W/kg

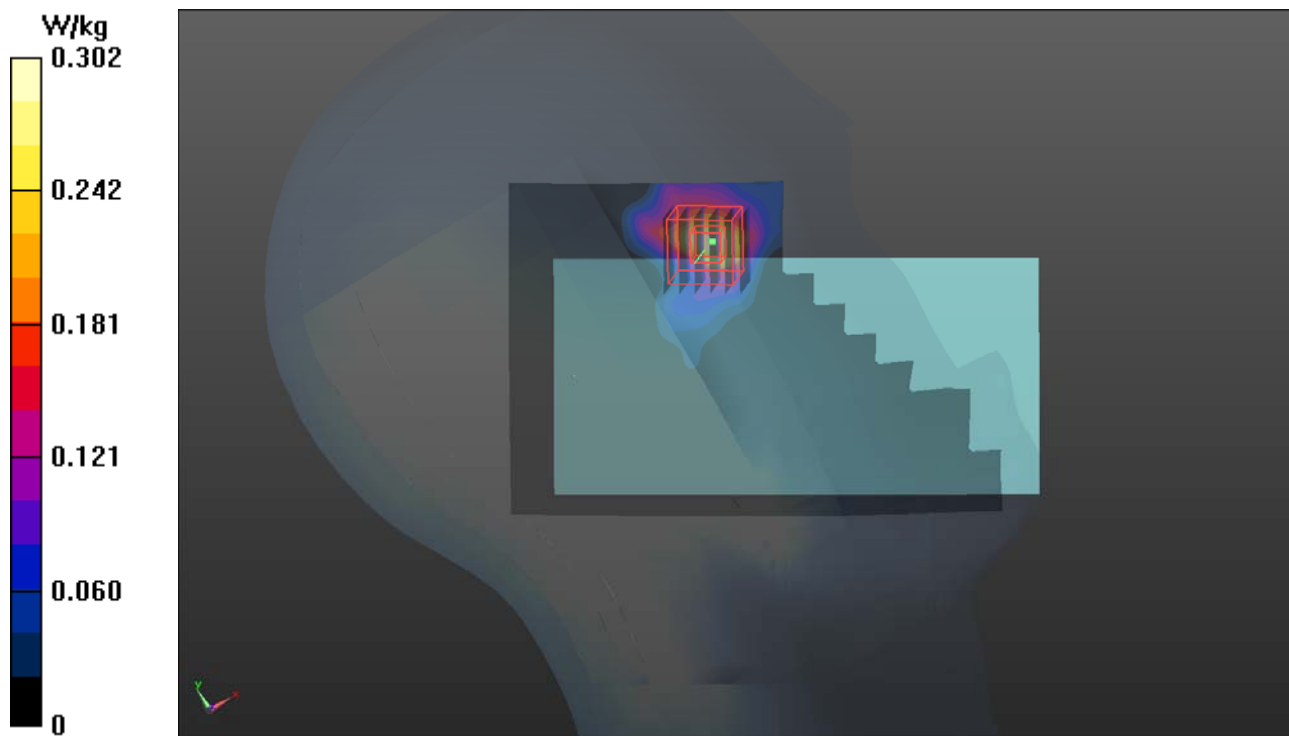
- **Zoom Scan (6x6x12)/Cube 0**: Measurement grid: dx=5mm, dy=5mm, dz=2mm

Reference Value = 1.343 V/m; Power Drift = 0.05 dB

Peak SAR (extrapolated) = 0.457 W/kg

**SAR(1 g) = 0.132 W/kg; SAR(10 g) = 0.047 W/kg**

Maximum value of SAR (measured) = 0.286 W/kg



## P12 5.8G WLAN\_802.11a\_Left Cheek\_Ch149

**DUT: 160621C08**

Communication System: WLAN\_5G; Frequency: 5745 MHz; Duty Cycle: 1:1

Medium: H34T60N1\_0830 Medium parameters used:  $f = 5745$  MHz;  $\sigma = 5.295$  S/m;  $\epsilon_r = 34.419$ ;  $\rho = 1000$  kg/m<sup>3</sup>

Ambient Temperature : 23.8 °C ; Liquid Temperature : 23.2 °C

DASY5 Configuration:

- Probe: EX3DV4 - SN3864; ConvF(4.96, 4.96, 4.96); Calibrated: 2016/07/25;
- Sensor-Surface: 1.4mm (Mechanical Surface Detection)
- Electronics: DAE3 Sn393; Calibrated: 2016/01/12
- Phantom: Twin SAM Phantom\_1653; Type: QD000P40;
- Measurement SW: DASY52, Version 52.8 (8); SEMCAD X Version 14.6.10 (7373)

- **Area Scan (111x181x1)**: Interpolated grid: dx=1.000 mm, dy=1.000 mm

Maximum value of SAR (interpolated) = 0.209 W/kg

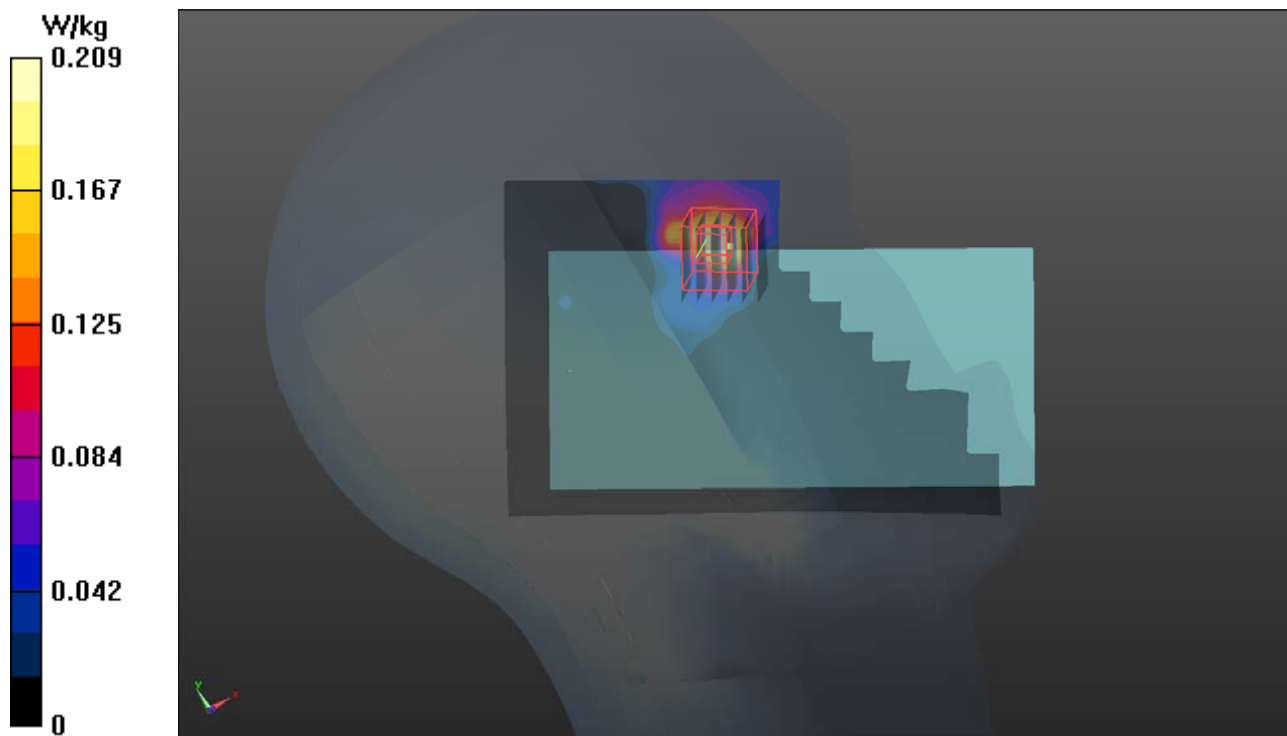
- **Zoom Scan (6x6x12)/Cube 0**: Measurement grid: dx=5mm, dy=5mm, dz=2mm

Reference Value = 0.7280 V/m; Power Drift = -0.12 dB

Peak SAR (extrapolated) = 0.338 W/kg

**SAR(1 g) = 0.090 W/kg; SAR(10 g) = 0.030 W/kg**

Maximum value of SAR (measured) = 0.204 W/kg



## P13 GSM850\_GPRS12\_Rear Face\_1cm\_Ch189

**DUT: 160621C08**

Communication System: GPRS12; Frequency: 836.4 MHz; Duty Cycle: 1:2

Medium: B07T10N2\_0823 Medium parameters used:  $f = 836.4$  MHz;  $\sigma = 0.984$  S/m;  $\epsilon_r = 53.912$ ;  $\rho = 1000$  kg/m<sup>3</sup>

Ambient Temperature : 23.8 °C ; Liquid Temperature : 23.5 °C

DASY5 Configuration:

- Probe: EX3DV4 - SN3650; ConvF(9.73, 9.73, 9.73); Calibrated: 2016/07/25;
- Sensor-Surface: 1.4mm (Mechanical Surface Detection)
- Electronics: DAE4 Sn861; Calibrated: 2016/06/16
- Phantom: Twin SAM Phantom\_1202; Type: QD000P40CA;
- Measurement SW: DASY52, Version 52.8 (8); SEMCAD X Version 14.6.10 (7373)

- **Area Scan (71x121x1):** Interpolated grid: dx=1.500 mm, dy=1.500 mm

Maximum value of SAR (interpolated) = 0.838 W/kg

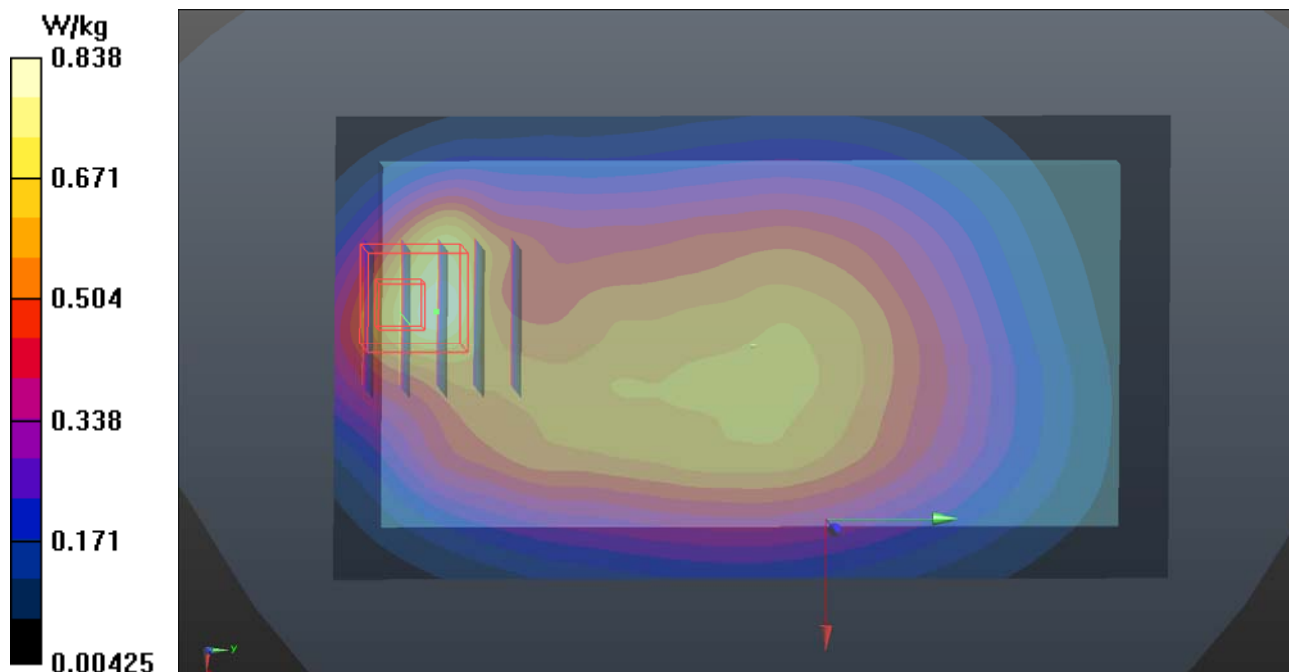
- **Zoom Scan (5x5x7)/Cube 0:** Measurement grid: dx=8mm, dy=8mm, dz=5mm

Reference Value = 22.86 V/m; Power Drift = 0.01 dB

Peak SAR (extrapolated) = 1.13 W/kg

**SAR(1 g) = 0.626 W/kg; SAR(10 g) = 0.345 W/kg**

Maximum value of SAR (measured) = 0.949 W/kg



### P14 GSM1900\_GPRS10\_Rear Face\_1cm\_Ch810

**DUT: 160621C08**

Communication System: GPRS10; Frequency: 1909.8 MHz; Duty Cycle: 1:4

Medium: B16T20N2\_0824 Medium parameters used:  $f = 1910$  MHz;  $\sigma = 1.597$  S/m;  $\epsilon_r = 50.804$ ;  $\rho = 1000$  kg/m<sup>3</sup>

Ambient Temperature : 23.9 °C ; Liquid Temperature : 23.6 °C

DASY5 Configuration:

- Probe: EX3DV4 - SN3864; ConvF(8.14, 8.14, 8.14); Calibrated: 2016/07/25;
- Sensor-Surface: 1.4mm (Mechanical Surface Detection)
- Electronics: DAE3 Sn393; Calibrated: 2016/01/12
- Phantom: Twin SAM Phantom\_1823; Type: QD000P40CD;
- Measurement SW: DASY52, Version 52.8 (8); SEMCAD X Version 14.6.10 (7373)

- **Area Scan (71x121x1):** Interpolated grid: dx=1.500 mm, dy=1.500 mm

Maximum value of SAR (interpolated) = 1.37 W/kg

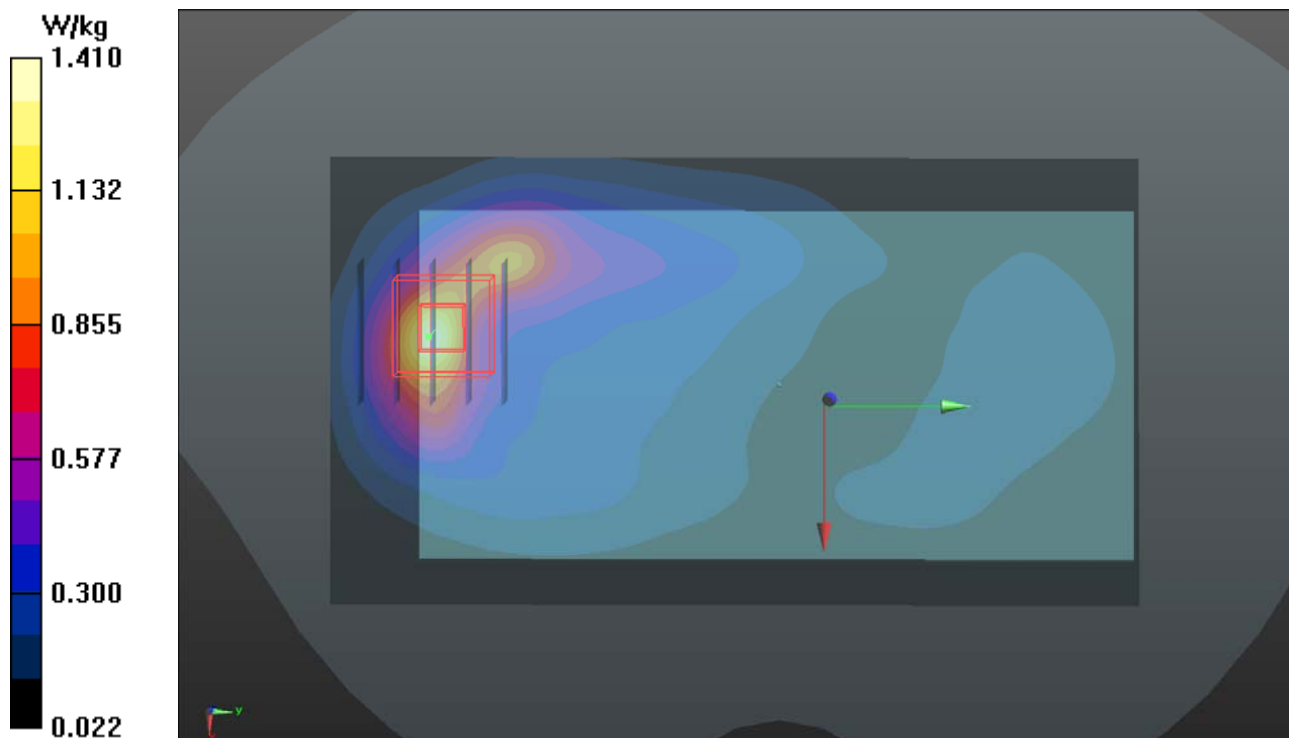
- **Zoom Scan (5x5x7)/Cube 0:** Measurement grid: dx=8mm, dy=8mm, dz=5mm

Reference Value = 8.856 V/m; Power Drift = -0.03 dB

Peak SAR (extrapolated) = 1.75 W/kg

**SAR(1 g) = 0.988 W/kg; SAR(10 g) = 0.531 W/kg**

Maximum value of SAR (measured) = 1.41 W/kg





### P15 CDMA2000 BC0\_RTAP 153.6\_Rear Face\_1cm\_Ch1013

**DUT: 160621C08**

Communication System: CDMA2000; Frequency: 824.7 MHz; Duty Cycle: 1:1

Medium: B07T10N2\_0817 Medium parameters used:  $f = 825 \text{ MHz}$ ;  $\sigma = 0.984 \text{ S/m}$ ;  $\epsilon_r = 54.807$ ;  $\rho = 1000 \text{ kg/m}^3$

Ambient Temperature : 23.8 °C ; Liquid Temperature : 23.6 °C

DASY5 Configuration:

- Probe: EX3DV4 - SN3971; ConvF(9.89, 9.89, 9.89); Calibrated: 2016/03/23;
- Sensor-Surface: 1.4mm (Mechanical Surface Detection)
- Electronics: DAE4 Sn1431; Calibrated: 2016/03/21
- Phantom: Twin SAM Phantom\_1485; Type: QD000P40;
- Measurement SW: DASY52, Version 52.8 (8); SEMCAD X Version 14.6.10 (7373)

- **Area Scan (71x121x1):** Interpolated grid:  $dx=1.500 \text{ mm}$ ,  $dy=1.500 \text{ mm}$

Maximum value of SAR (interpolated) = 0.856 W/kg

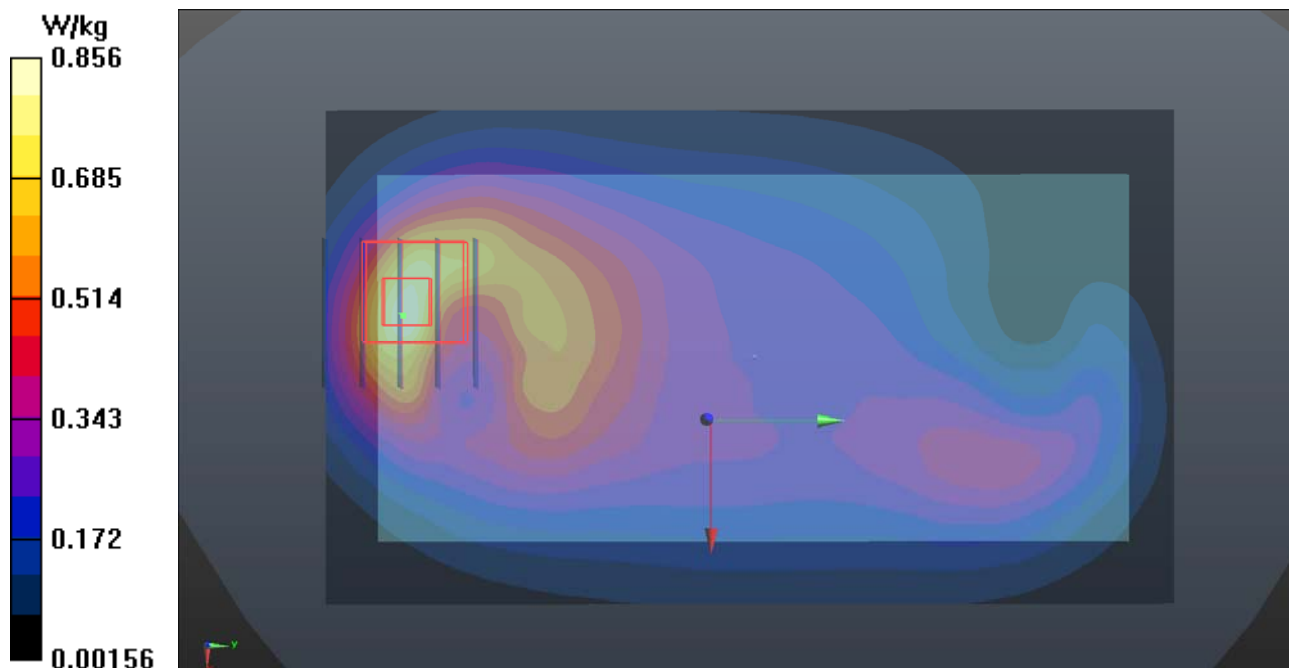
- **Zoom Scan (5x5x7)/Cube 0:** Measurement grid:  $dx=8\text{mm}$ ,  $dy=8\text{mm}$ ,  $dz=5\text{mm}$

Reference Value = 17.86 V/m; Power Drift = -0.09 dB

Peak SAR (extrapolated) = 1.05 W/kg

**SAR(1 g) = 0.585 W/kg; SAR(10 g) = 0.337 W/kg**

Maximum value of SAR (measured) = 0.876 W/kg



### P16 CDMA2000 BC1\_RTAP153.6\_Rear Face\_1cm\_Ch1175

**DUT: 160621C08**

Communication System: CDMA2000; Frequency: 1908.75 MHz; Duty Cycle: 1:1

Medium: B16T20N2\_0826 Medium parameters used:  $f = 1909$  MHz;  $\sigma = 1.595$  S/m;  $\epsilon_r = 50.812$ ;  $\rho = 1000$  kg/m<sup>3</sup>

Ambient Temperature : 23.8 °C ; Liquid Temperature : 23.5 °C

DASY5 Configuration:

- Probe: EX3DV4 - SN3864; ConvF(8.14, 8.14, 8.14); Calibrated: 2016/07/25;
- Sensor-Surface: 1.4mm (Mechanical Surface Detection)
- Electronics: DAE3 Sn393; Calibrated: 2016/01/12
- Phantom: Twin SAM Phantom\_1654; Type: QD000P40;
- Measurement SW: DASY52, Version 52.8 (8); SEMCAD X Version 14.6.10 (7373)

- **Area Scan (71x121x1):** Interpolated grid: dx=1.500 mm, dy=1.500 mm

Maximum value of SAR (interpolated) = 1.57 W/kg

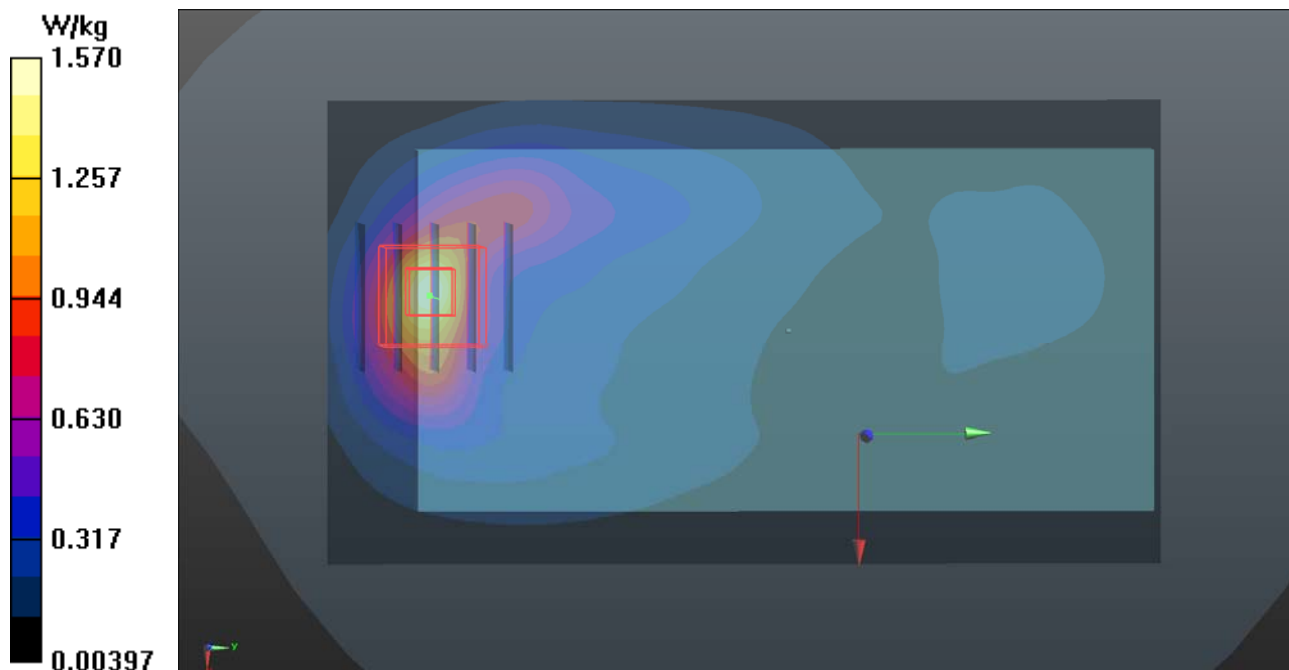
- **Zoom Scan (5x5x7)/Cube 0:** Measurement grid: dx=8mm, dy=8mm, dz=5mm

Reference Value = 8.184 V/m; Power Drift = 0.02 dB

Peak SAR (extrapolated) = 1.77 W/kg

**SAR(1 g) = 0.983 W/kg; SAR(10 g) = 0.529 W/kg**

Maximum value of SAR (measured) = 1.49 W/kg



### P17 LTE 2\_QPSK20M\_Rear Face\_1cm\_Ch18900\_1RB\_OS0

**DUT: 160621C08**

Communication System: LTE; Frequency: 1880 MHz; Duty Cycle: 1:1

Medium: B16T20N2\_0824 Medium parameters used:  $f = 1880$  MHz;  $\sigma = 1.568$  S/m;  $\epsilon_r = 50.889$ ;  $\rho = 1000$  kg/m<sup>3</sup>

Ambient Temperature : 23.9 °C ; Liquid Temperature : 23.6 °C

DASY5 Configuration:

- Probe: EX3DV4 - SN3864; ConvF(8.14, 8.14, 8.14); Calibrated: 2016/07/25;
- Sensor-Surface: 1.4mm (Mechanical Surface Detection)
- Electronics: DAE3 Sn393; Calibrated: 2016/01/12
- Phantom: Twin SAM Phantom\_1823; Type: QD000P40CD;
- Measurement SW: DASY52, Version 52.8 (8); SEMCAD X Version 14.6.10 (7373)

- **Area Scan (71x121x1):** Interpolated grid: dx=1.500 mm, dy=1.500 mm

Maximum value of SAR (interpolated) = 0.790 W/kg

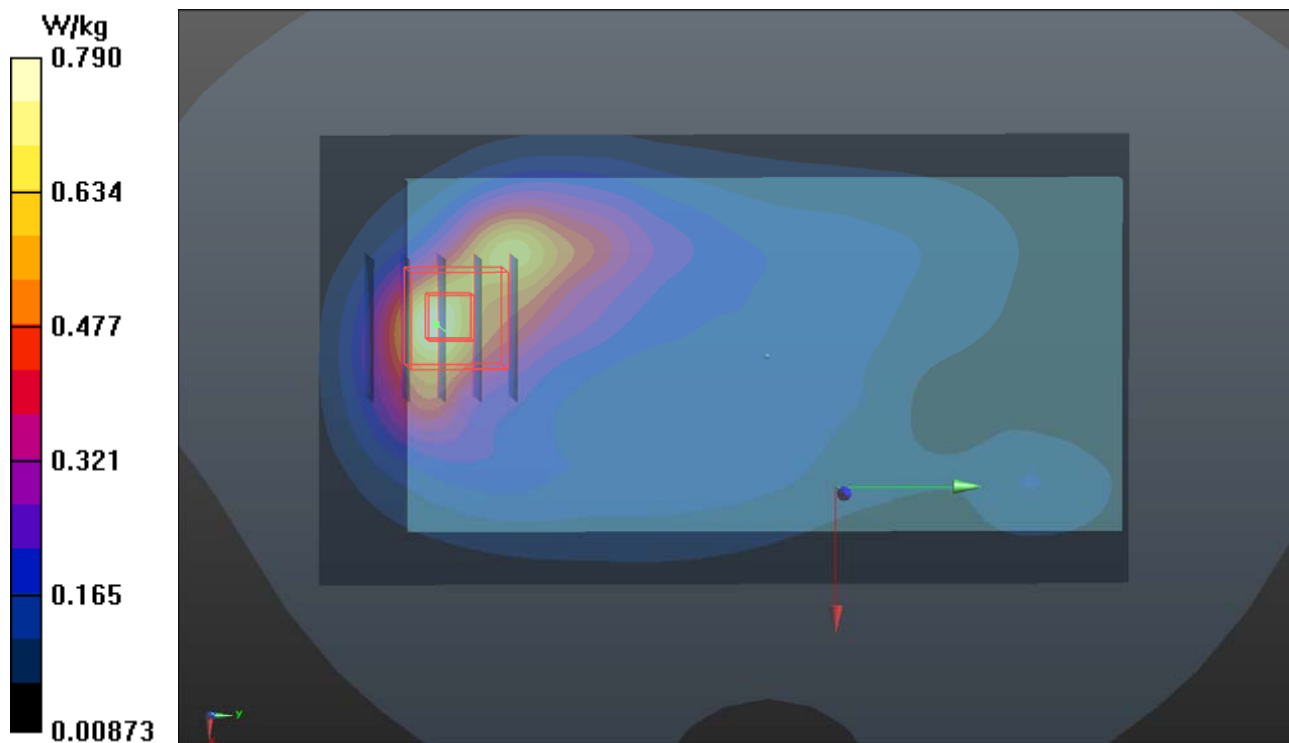
- **Zoom Scan (5x5x7)/Cube 0:** Measurement grid: dx=8mm, dy=8mm, dz=5mm

Reference Value = 10.14 V/m; Power Drift = -0.13 dB

Peak SAR (extrapolated) = 1.04 W/kg

**SAR(1 g) = 0.584 W/kg; SAR(10 g) = 0.324 W/kg**

Maximum value of SAR (measured) = 0.865 W/kg



### P18 LTE 4\_QPSK20M\_Rear Face\_1cm\_Ch20050\_1RB\_OS0

**DUT: 160621C08**

Communication System: LTE; Frequency: 1720 MHz; Duty Cycle: 1:1

Medium: B16T20N2\_0824 Medium parameters used:  $f = 1720$  MHz;  $\sigma = 1.415$  S/m;  $\epsilon_r = 51.38$ ;  $\rho = 1000$  kg/m<sup>3</sup>

Ambient Temperature : 23.8 °C ; Liquid Temperature : 23.3 °C

DASY5 Configuration:

- Probe: EX3DV4 - SN3864; ConvF(8.43, 8.43, 8.43); Calibrated: 2016/07/25;
- Sensor-Surface: 1.4mm (Mechanical Surface Detection)
- Electronics: DAE3 Sn393; Calibrated: 2016/01/12
- Phantom: Twin SAM Phantom\_1823; Type: QD000P40CD;
- Measurement SW: DASY52, Version 52.8 (8); SEMCAD X Version 14.6.10 (7373)

- **Area Scan (71x121x1):** Interpolated grid: dx=1.500 mm, dy=1.500 mm

Maximum value of SAR (interpolated) = 1.15 W/kg

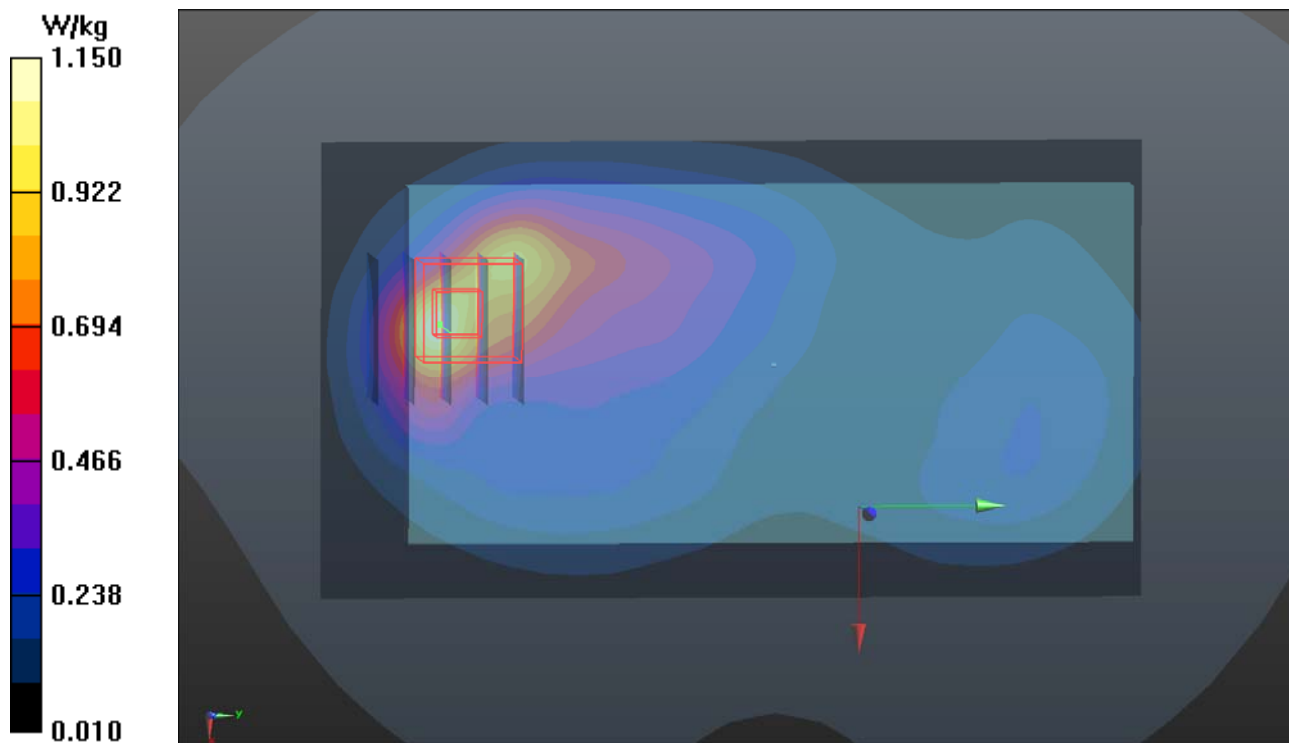
- **Zoom Scan (5x5x7)/Cube 0:** Measurement grid: dx=8mm, dy=8mm, dz=5mm

Reference Value = 12.04 V/m; Power Drift = 0.02 dB

Peak SAR (extrapolated) = 1.60 W/kg

**SAR(1 g) = 0.901 W/kg; SAR(10 g) = 0.500 W/kg**

Maximum value of SAR (measured) = 1.30 W/kg



### P19 LTE 5\_QPSK10M\_Rear Face\_1cm\_Ch20525\_1RB\_OS0

**DUT: 160621C08**

Communication System: LTE; Frequency: 836.5 MHz; Duty Cycle: 1:1

Medium: B07T10N3\_0816 Medium parameters used:  $f = 836.5$  MHz;  $\sigma = 0.987$  S/m;  $\epsilon_r = 53.783$ ;  $\rho = 1000$  kg/m<sup>3</sup>

Ambient Temperature : 23.8 °C ; Liquid Temperature : 23.3 °C

DASY5 Configuration:

- Probe: ET3DV6 - SN1790; ConvF(6.37, 6.37, 6.37); Calibrated: 2016/06/24;
- Sensor-Surface: 4mm (Mechanical Surface Detection)
- Electronics: DAE4 Sn861; Calibrated: 2016/06/16
- Phantom: Twin SAM Phantom\_1653; Type: QD000P40;
- Measurement SW: DASY52, Version 52.8 (8); SEMCAD X Version 14.6.10 (7373)

- **Area Scan (71x121x1):** Interpolated grid: dx=1.500 mm, dy=1.500 mm

Maximum value of SAR (interpolated) = 0.493 W/kg

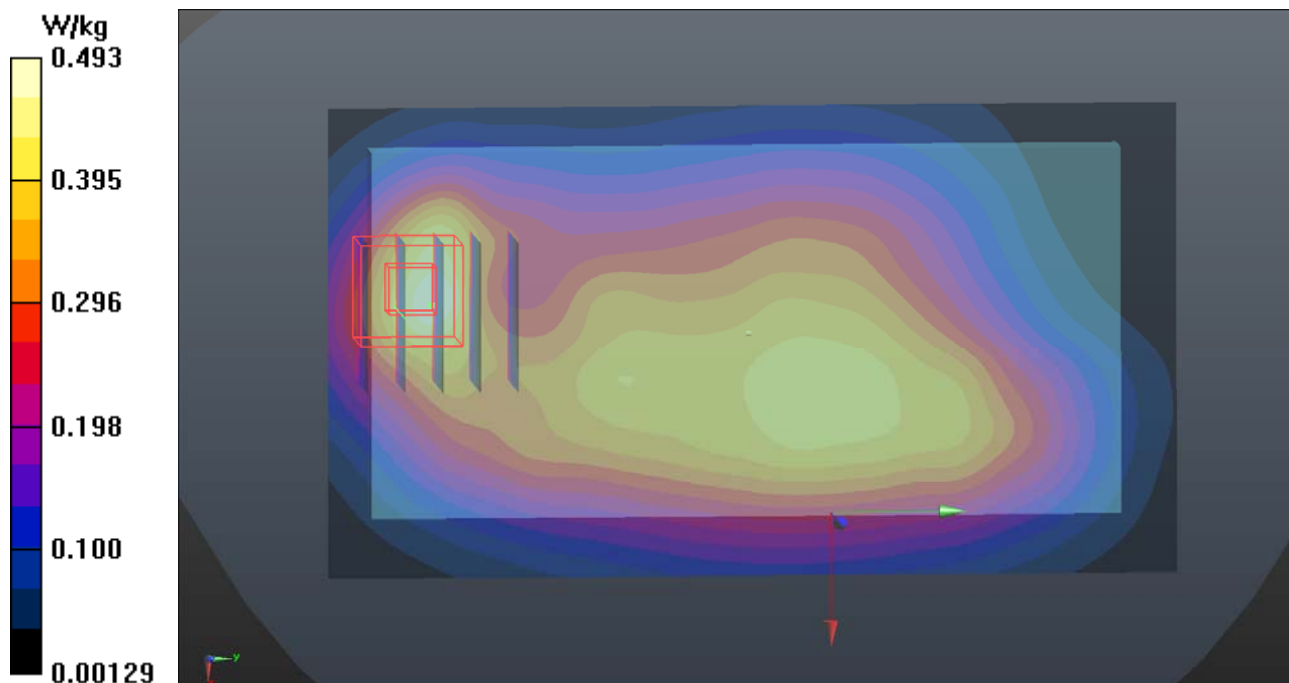
- **Zoom Scan (5x5x7)/Cube 0:** Measurement grid: dx=8mm, dy=8mm, dz=5mm

Reference Value = 20.36 V/m; Power Drift = -0.02 dB

Peak SAR (extrapolated) = 0.765 W/kg

**SAR(1 g) = 0.452 W/kg; SAR(10 g) = 0.257 W/kg**

Maximum value of SAR (measured) = 0.481 W/kg



## P20 LTE 13\_QPSK10M\_Front Face\_1cm\_Ch23230\_1RB\_OS0

### DUT: 160621C08

Communication System: LTE; Frequency: 782 MHz; Duty Cycle: 1:1

Medium: B06T09N1\_0817 Medium parameters used:  $f = 782 \text{ MHz}$ ;  $\sigma = 0.996 \text{ S/m}$ ;  $\epsilon_r = 55.785$ ;  $\rho = 1000 \text{ kg/m}^3$

Ambient Temperature :  $23.8 \text{ }^\circ\text{C}$  ; Liquid Temperature :  $23.6 \text{ }^\circ\text{C}$

#### DASY5 Configuration:

- Probe: EX3DV4 - SN3971; ConvF(10, 10, 10); Calibrated: 2016/03/23;
- Sensor-Surface: 1.4mm (Mechanical Surface Detection)
- Electronics: DAE4 Sn1431; Calibrated: 2016/03/21
- Phantom: Twin SAM Phantom\_1485; Type: QD000P40;
- Measurement SW: DASY52, Version 52.8 (8); SEMCAD X Version 14.6.10 (7373)

- **Area Scan (71x121x1):** Interpolated grid:  $dx=1.500 \text{ mm}$ ,  $dy=1.500 \text{ mm}$

Maximum value of SAR (interpolated) =  $0.404 \text{ W/kg}$

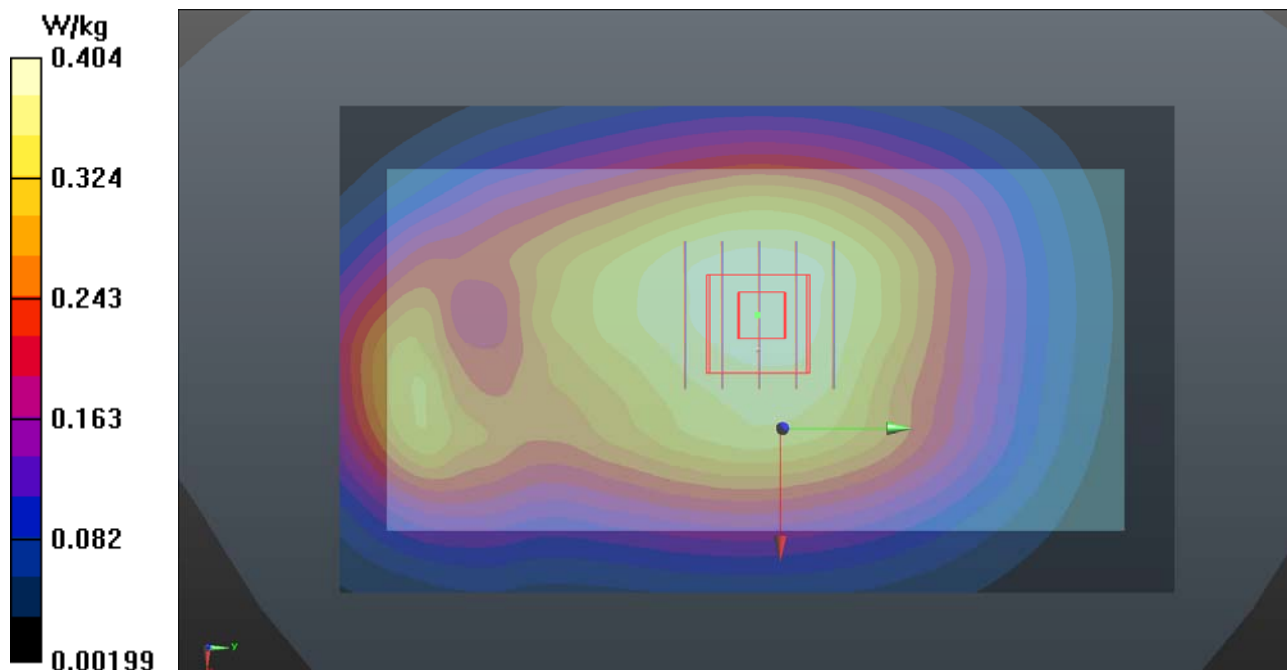
- **Zoom Scan (5x5x7)/Cube 0:** Measurement grid:  $dx=8\text{mm}$ ,  $dy=8\text{mm}$ ,  $dz=5\text{mm}$

Reference Value =  $20.84 \text{ V/m}$ ; Power Drift =  $-0.07 \text{ dB}$

Peak SAR (extrapolated) =  $0.430 \text{ W/kg}$

**SAR(1 g) =  $0.334 \text{ W/kg}$ ; SAR(10 g) =  $0.260 \text{ W/kg}$**

Maximum value of SAR (measured) =  $0.398 \text{ W/kg}$



## P21 2.4G WLAN\_802.11b\_Rear Face\_1cm\_Ch6

**DUT: 160621C08**

Communication System: WLAN\_2.4G; Frequency: 2437 MHz; Duty Cycle: 1:1

Medium: B19T27N2\_0823 Medium parameters used:  $f = 2437$  MHz;  $\sigma = 2.028$  S/m;  $\epsilon_r = 51.401$ ;  $\rho =$

$1000$  kg/m<sup>3</sup>

Ambient Temperature : 23.7 °C ; Liquid Temperature : 23.5 °C

DASY5 Configuration:

- Probe: EX3DV4 - SN3650; ConvF(7.36, 7.36, 7.36); Calibrated: 2016/07/25;
- Sensor-Surface: 1.4mm (Mechanical Surface Detection)
- Electronics: DAE4 Sn861; Calibrated: 2016/06/16
- Phantom: Twin SAM Phantom\_1202; Type: QD000P40CA;
- Measurement SW: DASY52, Version 52.8 (8); SEMCAD X Version 14.6.10 (7373)

- **Area Scan (101x151x1):** Interpolated grid: dx=1.200 mm, dy=1.200 mm

Maximum value of SAR (interpolated) = 0.448 W/kg

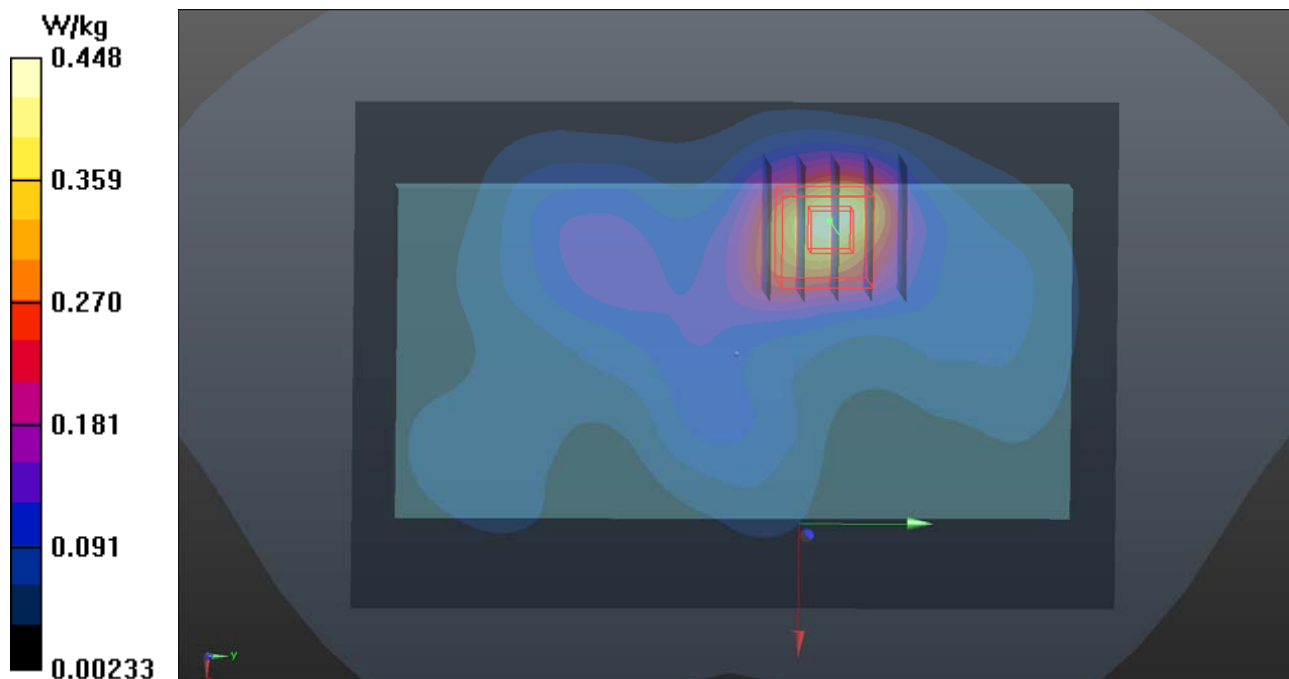
- **Zoom Scan (5x5x7)/Cube 0:** Measurement grid: dx=8mm, dy=8mm, dz=5mm

Reference Value = 6.086 V/m; Power Drift = 0.07 dB

Peak SAR (extrapolated) = 0.716 W/kg

**SAR(1 g) = 0.358 W/kg; SAR(10 g) = 0.178 W/kg**

Maximum value of SAR (measured) = 0.565 W/kg



## P22 5.3G WLAN\_802.11a\_Rear Face\_1cm\_Ch52

**DUT: 160621C08**

Communication System: WLAN\_5G; Frequency: 5260 MHz; Duty Cycle: 1:1

Medium: B34T60N2\_0819 Medium parameters used:  $f = 5260$  MHz;  $\sigma = 5.492$  S/m;  $\epsilon_r = 46.944$ ;  $\rho = 1000$  kg/m<sup>3</sup>

Ambient Temperature : 23.6 °C ; Liquid Temperature : 23.4 °C

DASY5 Configuration:

- Probe: EX3DV4 - SN3971; ConvF(4.26, 4.26, 4.26); Calibrated: 2016/03/23;
- Sensor-Surface: 1.4mm (Mechanical Surface Detection)
- Electronics: DAE4 Sn1431; Calibrated: 2016/03/21
- Phantom: Twin SAM Phantom\_1654; Type: QD000P40;
- Measurement SW: DASY52, Version 52.8 (8); SEMCAD X Version 14.6.10 (7373)

- **Area Scan (121x181x1)**: Interpolated grid: dx=1.000 mm, dy=1.000 mm

Maximum value of SAR (interpolated) = 2.34 W/kg

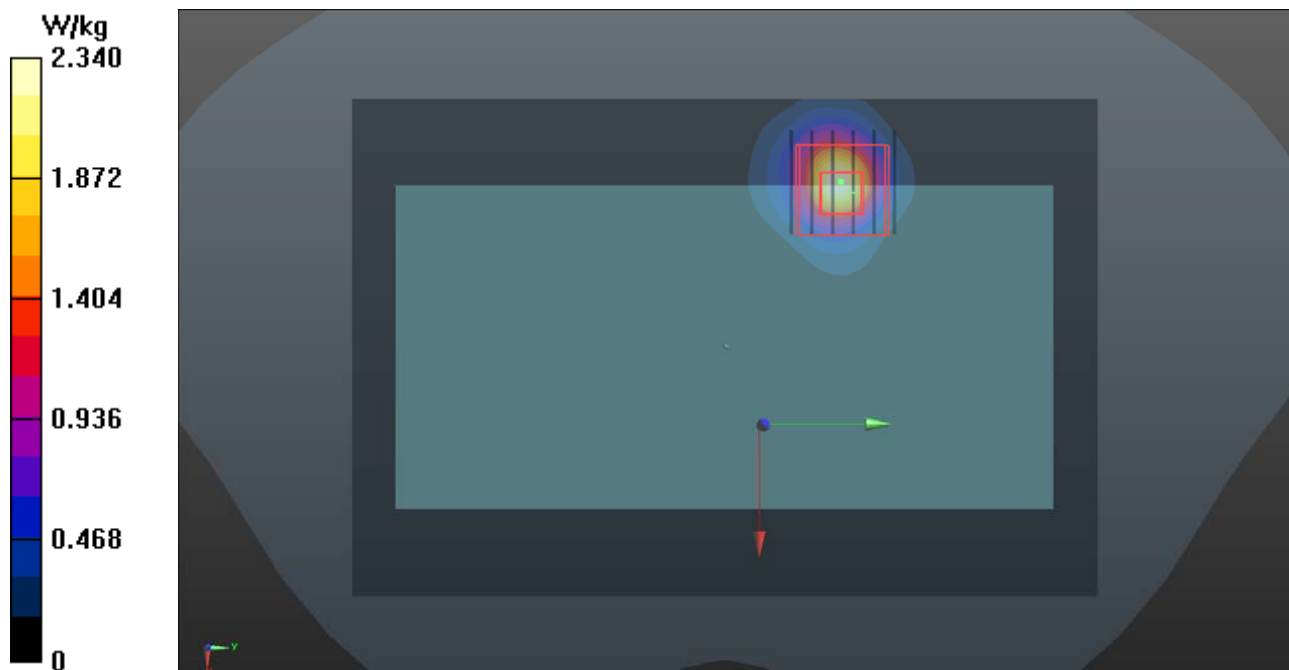
- **Zoom Scan (6x6x12)/Cube 0**: Measurement grid: dx=5mm, dy=5mm, dz=2mm

Reference Value = 0 V/m; Power Drift = 0.00 dB

Peak SAR (extrapolated) = 3.91 W/kg

**SAR(1 g) = 1.05 W/kg; SAR(10 g) = 0.340 W/kg**

Maximum value of SAR (measured) = 2.35 W/kg





## P23 5.6G WLAN\_802.11a\_Rear Face\_1cm\_Ch116

**DUT: 160621C08**

Communication System: WLAN\_5G; Frequency: 5580 MHz; Duty Cycle: 1:1

Medium: B34T60N2\_0819 Medium parameters used:  $f = 5580$  MHz;  $\sigma = 5.916$  S/m;  $\epsilon_r = 46.379$ ;  $\rho = 1000$  kg/m<sup>3</sup>

Ambient Temperature : 23.6 °C ; Liquid Temperature : 23.4 °C

DASY5 Configuration:

- Probe: EX3DV4 - SN3971; ConvF(3.68, 3.68, 3.68); Calibrated: 2016/03/23;
- Sensor-Surface: 1.4mm (Mechanical Surface Detection)
- Electronics: DAE4 Sn1431; Calibrated: 2016/03/21
- Phantom: Twin SAM Phantom\_1654; Type: QD000P40;
- Measurement SW: DASY52, Version 52.8 (8); SEMCAD X Version 14.6.10 (7373)

- **Area Scan (121x181x1):** Interpolated grid: dx=1.000 mm, dy=1.000 mm

Maximum value of SAR (interpolated) = 2.63 W/kg

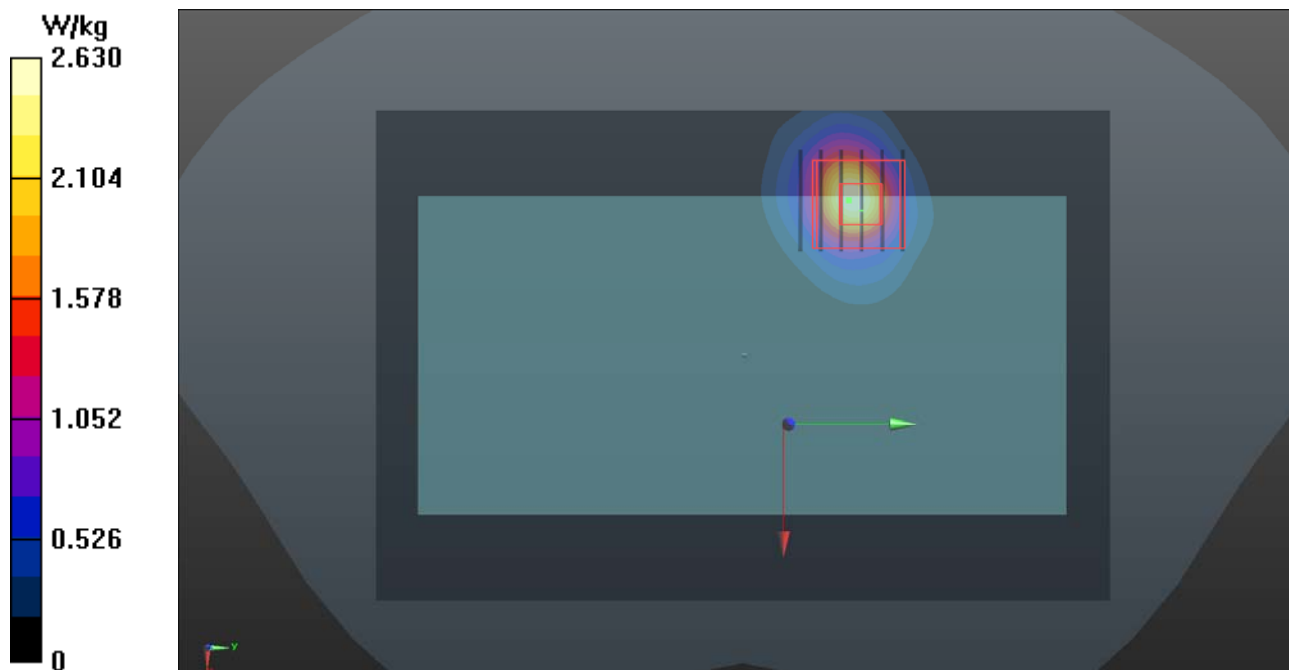
- **Zoom Scan (6x6x12)/Cube 0:** Measurement grid: dx=5mm, dy=5mm, dz=2mm

Reference Value = 1.111 V/m; Power Drift = 0.03 dB

Peak SAR (extrapolated) = 4.27 W/kg

**SAR(1 g) = 1.13 W/kg; SAR(10 g) = 0.380 W/kg**

Maximum value of SAR (measured) = 2.67 W/kg



### P24 5.8G WLAN\_802.11a\_Rear Face\_1cm\_Ch149

**DUT: 160621C08**

Communication System: WLAN\_5G; Frequency: 5745 MHz; Duty Cycle: 1:1

Medium: B34T60N2\_0819 Medium parameters used:  $f = 5745$  MHz;  $\sigma = 6.133$  S/m;  $\epsilon_r = 46.05$ ;  $\rho = 1000$  kg/m<sup>3</sup>

Ambient Temperature : 23.6 °C ; Liquid Temperature : 23.4 °C

DASY5 Configuration:

- Probe: EX3DV4 - SN3971; ConvF(3.9, 3.9, 3.9); Calibrated: 2016/03/23;
- Sensor-Surface: 1.4mm (Mechanical Surface Detection)
- Electronics: DAE4 Sn1431; Calibrated: 2016/03/21
- Phantom: Twin SAM Phantom\_1654; Type: QD000P40;
- Measurement SW: DASY52, Version 52.8 (8); SEMCAD X Version 14.6.10 (7373)

- **Area Scan (121x181x1):** Interpolated grid: dx=1.000 mm, dy=1.000 mm

Maximum value of SAR (interpolated) = 1.73 W/kg

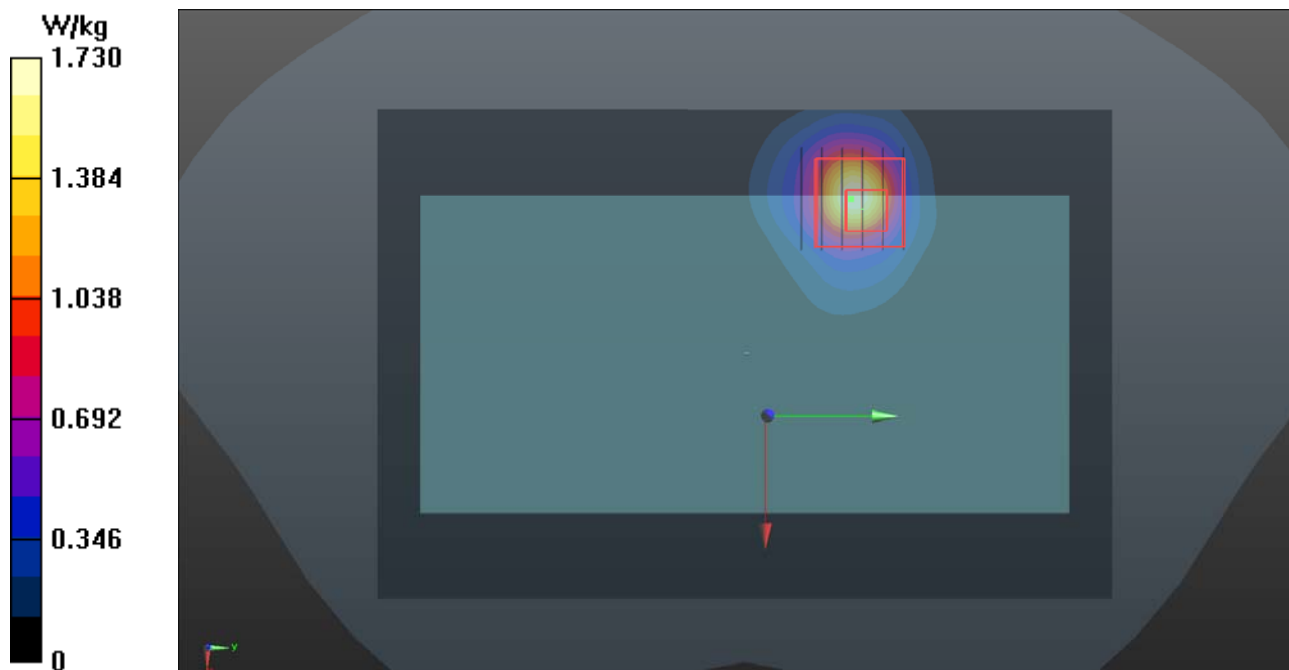
- **Zoom Scan (6x6x12)/Cube 0:** Measurement grid: dx=5mm, dy=5mm, dz=2mm

Reference Value = 1.517 V/m; Power Drift = -0.05 dB

Peak SAR (extrapolated) = 3.20 W/kg

**SAR(1 g) = 0.824 W/kg; SAR(10 g) = 0.270 W/kg**

Maximum value of SAR (measured) = 1.92 W/kg



### P25 5.3G WLAN\_802.11a\_Rear Face\_0cm\_Ch52

**DUT: 160621C08**

Communication System: WLAN\_5G; Frequency: 5260 MHz; Duty Cycle: 1:1

Medium: B34T60N1\_0823 Medium parameters used:  $f = 5260$  MHz;  $\sigma = 5.331$  S/m;  $\epsilon_r = 48.738$ ;  $\rho = 1000$  kg/m<sup>3</sup>

Ambient Temperature : 23.9 °C ; Liquid Temperature : 23.6 °C

DASY5 Configuration:

- Probe: EX3DV4 - SN3650; ConvF(4.9, 4.9, 4.9); Calibrated: 2016/07/25;
- Sensor-Surface: 1.4mm (Mechanical Surface Detection)
- Electronics: DAE4 Sn861; Calibrated: 2016/06/16
- Phantom: Twin SAM Phantom\_1202; Type: QD000P40CA;
- Measurement SW: DASY52, Version 52.8 (8); SEMCAD X Version 14.6.10 (7373)

- **Area Scan (121x181x1)**: Interpolated grid: dx=1.000 mm, dy=1.000 mm

Maximum value of SAR (interpolated) = 1.68 W/kg

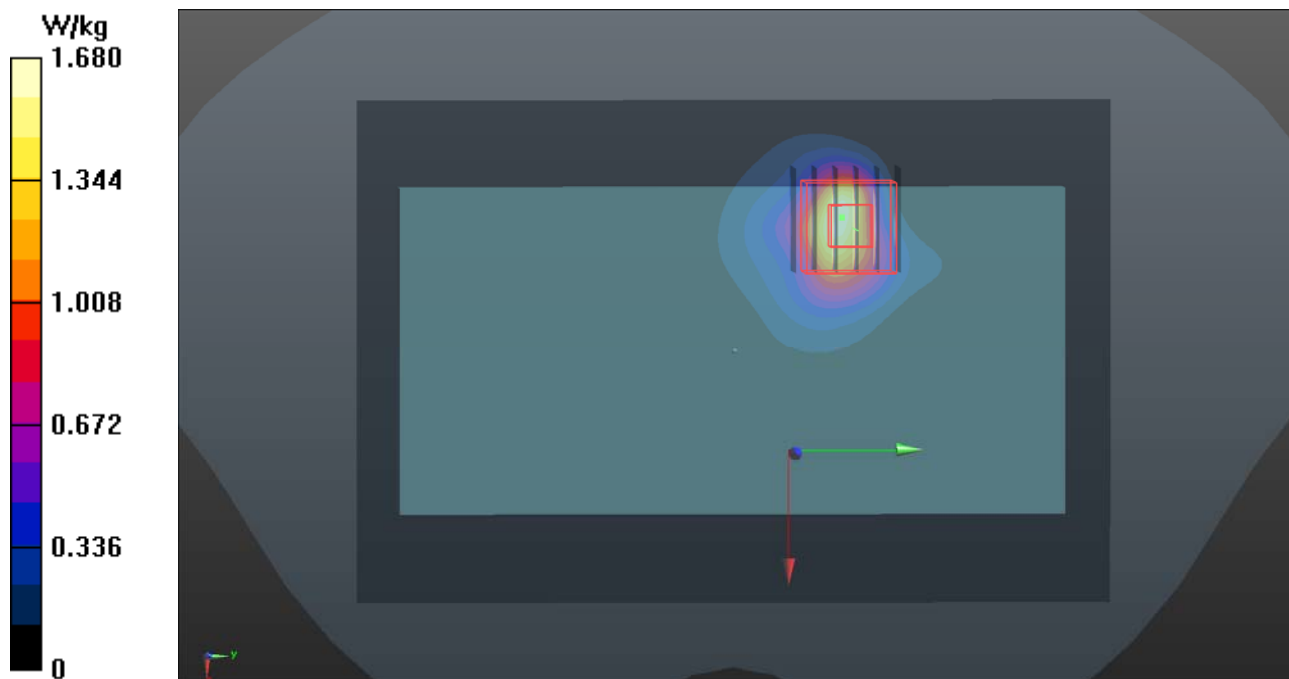
- **Zoom Scan (6x6x12)/Cube 0**: Measurement grid: dx=5mm, dy=5mm, dz=2mm

Reference Value = 1.357 V/m; Power Drift = 0.05 dB

Peak SAR (extrapolated) = 41.8 W/kg

**SAR(1 g) = 7.09 W/kg; SAR(10 g) = 1.35 W/kg**

Maximum value of SAR (measured) = 23.3 W/kg



## P26 5.6G WLAN\_802.11a\_Rear Face\_0cm\_Ch116

**DUT: 160621C08**

Communication System: WLAN\_5G; Frequency: 5580 MHz; Duty Cycle: 1:1

Medium: B34T60N1\_0823 Medium parameters used:  $f = 5580$  MHz;  $\sigma = 5.653$  S/m;  $\epsilon_r = 48.35$ ;  $\rho = 1000$  kg/m<sup>3</sup>

Ambient Temperature : 23.9 °C ; Liquid Temperature : 23.6 °C

DASY5 Configuration:

- Probe: EX3DV4 - SN3650; ConvF(4.01, 4.01, 4.01); Calibrated: 2016/07/25;
- Sensor-Surface: 1.4mm (Mechanical Surface Detection)
- Electronics: DAE4 Sn861; Calibrated: 2016/06/16
- Phantom: Twin SAM Phantom\_1202; Type: QD000P40CA;
- Measurement SW: DASY52, Version 52.8 (8); SEMCAD X Version 14.6.10 (7373)

- **Area Scan (121x181x1)**: Interpolated grid: dx=1.000 mm, dy=1.000 mm

Maximum value of SAR (interpolated) = 3.48 W/kg

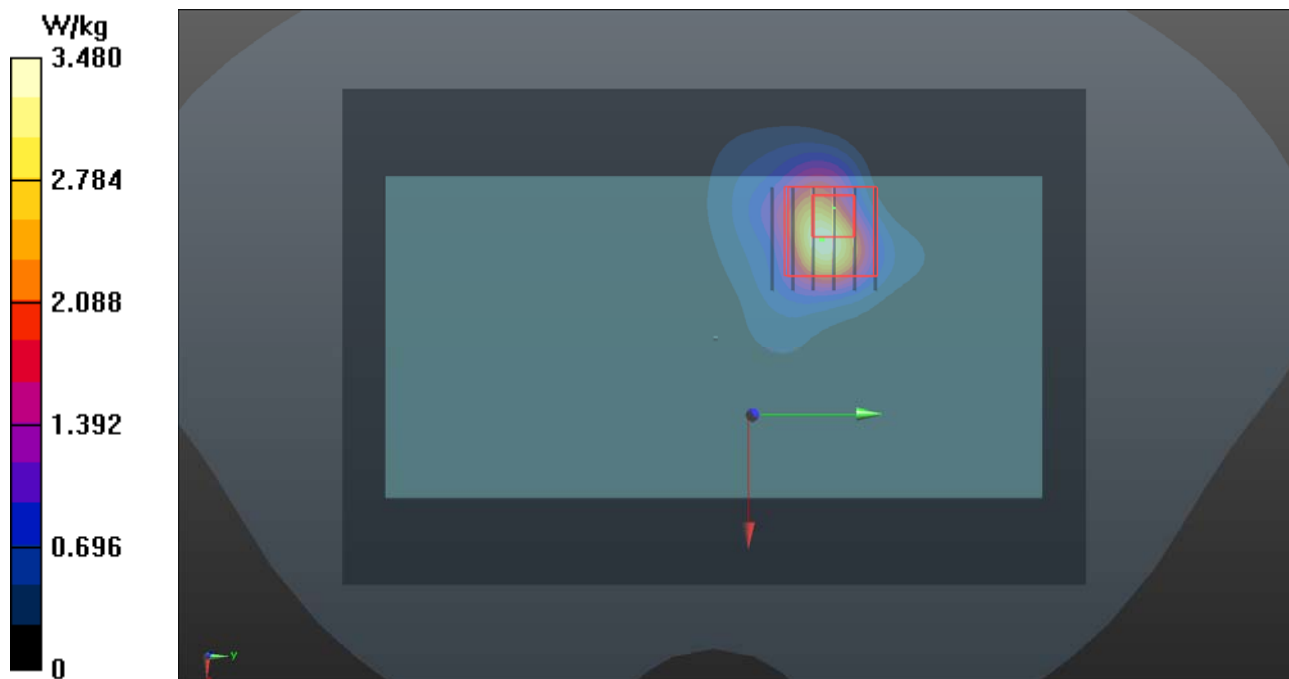
- **Zoom Scan (6x6x12)/Cube 0**: Measurement grid: dx=5mm, dy=5mm, dz=2mm

Reference Value = 2.283 V/m; Power Drift = 0.03 dB

Peak SAR (extrapolated) = 44.1 W/kg

**SAR(1 g) = 7.65 W/kg; SAR(10 g) = 1.5 W/kg**

Maximum value of SAR (measured) = 20.1 W/kg



### P27 5.8G WLAN\_802.11a\_Rear Face\_0cm\_Ch149

**DUT: 160621C08**

Communication System: WLAN\_5G; Frequency: 5745 MHz; Duty Cycle: 1:1

Medium: B34T60N1\_0823 Medium parameters used:  $f = 5745$  MHz;  $\sigma = 6.057$  S/m;  $\epsilon_r = 48.249$ ;  $\rho = 1000$  kg/m<sup>3</sup>

Ambient Temperature : 23.9 °C ; Liquid Temperature : 23.6 °C

DASY5 Configuration:

- Probe: EX3DV4 - SN3650; ConvF(4.36, 4.36, 4.36); Calibrated: 2016/07/25;
- Sensor-Surface: 1.4mm (Mechanical Surface Detection)
- Electronics: DAE4 Sn861; Calibrated: 2016/06/16
- Phantom: Twin SAM Phantom\_1202; Type: QD000P40CA;
- Measurement SW: DASY52, Version 52.8 (8); SEMCAD X Version 14.6.10 (7373)

- **Area Scan (121x181x1):** Interpolated grid: dx=1.000 mm, dy=1.000 mm

Maximum value of SAR (interpolated) = 2.49 W/kg

- **Zoom Scan (6x6x12)/Cube 0:** Measurement grid: dx=5mm, dy=5mm, dz=2mm

Reference Value = 1.524 V/m; Power Drift = 0.09 dB

Peak SAR (extrapolated) = 39.7 W/kg

**SAR(1 g) = 6.12 W/kg; SAR(10 g) = 1.21 W/kg**

Maximum value of SAR (measured) = 17.2 W/kg

