



A D T

# FCC SAR Test Report

Report No. : SA140107C15F  
 Applicant : Askey Computer Corp  
 Address : 10F, NO. 119, CHIENKANG RD CHUNG-HO, TAIPEI, 235, TAIWAN, R.O.C.  
 Product : Rugged Enterprise Smartphone  
 FCC ID : H8N-PCT3200  
 Brand : TURBONET  
 Model No. : TN450A1 (Refer to section 2 for more details)  
 Standards : FCC 47 CFR Part 2 (2.1093) / IEEE C95.1:1992 / IEEE Std 1528:2013  
 KDB 865664 D01 v01r04 / KDB 865664 D02 v01r02  
 KDB 248227 D01 v02r02 / KDB 447498 D01 v06 / KDB 648474 D04 v01r03  
 / KDB 941225 D01 v03r01 / KDB 941225 D06 v02r01  
 Sample Received Date : Mar. 27, 2015  
 Date of Testing : May 18, 2015 ~ Nov. 09, 2015

**CERTIFICATION:** The above equipment have been tested by **Bureau Veritas Consumer Products Services (H.K.) Ltd., Taoyuan Branch – Lin Kou Laboratories**, and found compliance with the requirement of the above standards. The test record, data evaluation & Equipment Under Test (EUT) configurations represented herein are true and accurate accounts of the measurements of the sample’s SAR characteristics under the conditions specified in this report. It should not be reproduced except in full, without the written approval of our laboratory. The client should not use it to claim product certification, approval, or endorsement by TAF or any government agencies.

Prepared By : Gina Lin  
 Gina Liu / Specialist



Approved By : Gordon Lin  
 Gordon Lin / Assistant Manager

This report is for your exclusive use. Any copying or replication of this report to or for any other person or entity, or use of our name or trademark, is permitted only with our prior written permission. This report sets forth our findings solely with respect to the test samples identified herein. The results set forth in this report are not indicative or representative of the quality or characteristics of the lot from which a test sample was taken or any similar or identical product unless specifically and expressly noted. Our report includes all of the tests requested by you and the results thereof based upon the information that you provided to us. You have 60 days from date of issuance of this report to notify us of any material error or omission caused by our negligence, provided, however, that such notice shall be in writing and shall specifically address the issue you wish to raise. A failure to raise such issue within the prescribed time shall constitute your unqualified acceptance of the completeness of this report, the tests conducted and the correctness of the report contents. Unless specific mention, the uncertainty of measurement has been explicitly taken into account to declare the compliance or non-compliance to the specification.



## Table of Contents

Release Control Record .....	3
1. Summary of Maximum SAR Value .....	4
2. Description of Equipment Under Test .....	5
3. SAR Measurement System .....	6
3.1 Definition of Specific Absorption Rate (SAR) .....	6
3.2 SPEAG DASY System .....	6
3.2.1 Robot.....	7
3.2.2 Probes.....	8
3.2.3 Data Acquisition Electronics (DAE) .....	8
3.2.4 Phantoms .....	9
3.2.5 Device Holder.....	10
3.2.6 System Validation Dipoles.....	10
3.2.7 Tissue Simulating Liquids.....	11
3.3 SAR System Verification .....	14
3.4 SAR Measurement Procedure .....	15
3.4.1 Area & Zoom Scan Procedure .....	15
3.4.2 Volume Scan Procedure.....	15
3.4.3 Power Drift Monitoring.....	16
3.4.4 Spatial Peak SAR Evaluation .....	16
3.4.5 SAR Averaged Methods .....	16
4. SAR Measurement Evaluation .....	17
4.1 EUT Configuration and Setting.....	17
4.2 EUT Testing Position .....	21
4.2.1 Head Exposure Conditions.....	21
4.2.2 Body-worn Accessory Exposure Conditions.....	23
4.2.3 Hotspot Mode Exposure Conditions .....	24
4.2.4 Simultaneous Transmission Possibilities.....	24
4.3 Tissue Verification .....	25
4.4 System Validation.....	26
4.5 System Verification.....	27
4.6 Maximum Output Power.....	28
4.6.1 Maximum Conducted Power .....	28
4.6.2 Measured Conducted Power Result.....	29
4.7 SAR Testing Results .....	31
4.7.1 SAR Test Reduction Considerations .....	31
4.7.2 SAR Results for Head Exposure Condition .....	32
4.7.3 SAR Results for Body Exposure Condition (Separation Distance is 1.0 cm Gap).....	33
4.7.4 SAR Results for Hotspot Exposure Condition (Separation Distance is 1.0 cm Gap).....	34
4.7.5 SAR Measurement Variability.....	35
5. Calibration of Test Equipment.....	39
6. Measurement Uncertainty.....	40
7. Information on the Testing Laboratories.....	42
Appendix A. SAR Plots of System Verification	
Appendix B. SAR Plots of SAR Measurement	
Appendix C. Calibration Certificate for Probe and Dipole	
Appendix D. Photographs of EUT and Setup	



### Release Control Record

Report No.	Reason for Change	Date Issued
SA140107C15F	Initial release	Nov. 20, 2015



### 1. Summary of Maximum SAR Value

Equipment Class	Mode	Highest Reported Head SAR <sub>1g</sub> (W/kg)	Highest Reported Body SAR <sub>1g</sub> (1.0 cm Gap) (W/kg)	Highest Reported Hotspot SAR <sub>1g</sub> (1.0 cm Gap) (W/kg)
PCE	GSM850	0.16	0.77	0.77
	GSM1900	0.20	0.70	0.70
	WCDMA V	0.25	0.38	0.38
DTS	2.4G WLAN	0.04	0.41	0.41
NII	5.2G WLAN	0.05	0.47	0.47
	5.6G WLAN	0.10	0.74	0.74
	5.8G WLAN	0.13	0.68	0.68
DSS	Bluetooth	N/A	0.00	N/A
DXX	NFC	N/A	N/A	N/A
Highest Simultaneous Transmission SAR		Head (W/kg)	Head (W/kg)	Body (W/kg)
PCE + DTS		0.29	1.18	1.18
PCE + NII		0.38	1.51	1.51
PCE + DSS		N/A	0.77	N/A

**Note:**

1. The SAR limit (Head & Body: SAR<sub>1g</sub> 1.6 W/kg, Extremity: SAR<sub>10g</sub> 4.0 W/kg) for general population / uncontrolled exposure is specified in FCC 47 CFR part 2 (2.1093) and ANSI/IEEE C95.1-1992.



## FCC SAR Test Report

### 2. Description of Equipment Under Test

<b>EUT Type</b>	Rugged Enterprise Smartphone
<b>FCC ID</b>	H8N-PCT3200
<b>Brand Name</b>	TURBONET
<b>Model Name</b>	TN450A1 (Refer to Note for more details)
<b>Tx Frequency Bands (Unit: MHz)</b>	GSM850 : 824.2 ~ 848.8 GSM1900 : 1850.2 ~ 1909.8 WCDMA Band V : 826.4 ~ 846.6 WLAN : 2412 ~ 2462, 5180 ~ 5240, 5500 ~ 5700, 5745 ~ 5825 Bluetooth : 2402 ~ 2480 NFC : 13.56
<b>Uplink Modulations</b>	GSM & GPRS : GMSK EDGE : 8PSK WCDMA : QPSK 802.11b : DSSS 802.11a/g/n : OFDM Bluetooth : GFSK NFC : ASK
<b>Maximum Tune-up Conducted Power (Unit: dBm)</b>	Please refer to section 4.6.1 of this report.
<b>Antenna Type</b>	NFC: Loop Antenna WWAN & WLAN: PIFA Antenna (Peak Antenna Gain : 2.2 dBi for 2.4GHz, 3.67 dBi for 5GHz)
<b>EUT Stage</b>	Identical Prototype

#### Note:

1. All models are listed as below. The model of TN450A1 was chosen for final test.

Sample	Brand	Model	Description
1	TURBONET	TN450A1	barcode scanner (w/o NFC)
2		TN450A1(WOS)	non-barcode scanner (w/o NFC)
3	COPPERNIC	C-One	barcode scanner
4		C-One(WOS)	non-barcode scanner
5	TURBONET	TN450A1	barcode scanner (with NFC)
6		TN450A1(WOS)	non-barcode scanner (with NFC)

\* Sample 1, 2, 3, 4 are electrically identical, different model names are for marketing purpose.

2. The NFC function is turned on and turned off with software.

3. The above EUT information is declared by manufacturer and for more detailed features description please refers to the manufacturer's specifications or User's Manual.

#### List of Accessory:

<b>Battery 1</b>	<b>Brand Name</b>	ETI CA Battery inc.
	<b>Model Name</b>	BP13-001080
	<b>Power Rating</b>	3.7Vdc, 3450mAh
	<b>Type</b>	Li-ion
<b>Battery 2</b>	<b>Brand Name</b>	ETI CA Battery inc.
	<b>Model Name</b>	BP14-001160
	<b>Power Rating</b>	3.7Vdc, 3450mAh
	<b>Type</b>	Li-ion

\* Batteries are electrically identical, different model names are for marketing purpose.



### **3. SAR Measurement System**

#### **3.1 Definition of Specific Absorption Rate (SAR)**

SAR is related to the rate at which energy is absorbed per unit mass in an object exposed to a radio field. The SAR distribution in a biological body is complicated and is usually carried out by experimental techniques or numerical modeling. The standard recommends limits for two tiers of groups, occupational/controlled and general population/uncontrolled, based on a person's awareness and ability to exercise control over his or her exposure. In general, occupational/controlled exposure limits are higher than the limits for general population/uncontrolled.

The SAR definition is the time derivative (rate) of the incremental energy (dW) absorbed by (dissipated in) an incremental mass (dm) contained in a volume element (dv) of a given density ( $\rho$ ). The equation description is as below:

$$SAR = \frac{d}{dt} \left( \frac{dW}{dm} \right) = \frac{d}{dt} \left( \frac{dW}{\rho dv} \right)$$

SAR is expressed in units of Watts per kilogram (W/kg)

SAR measurement can be related to the electrical field in the tissue by

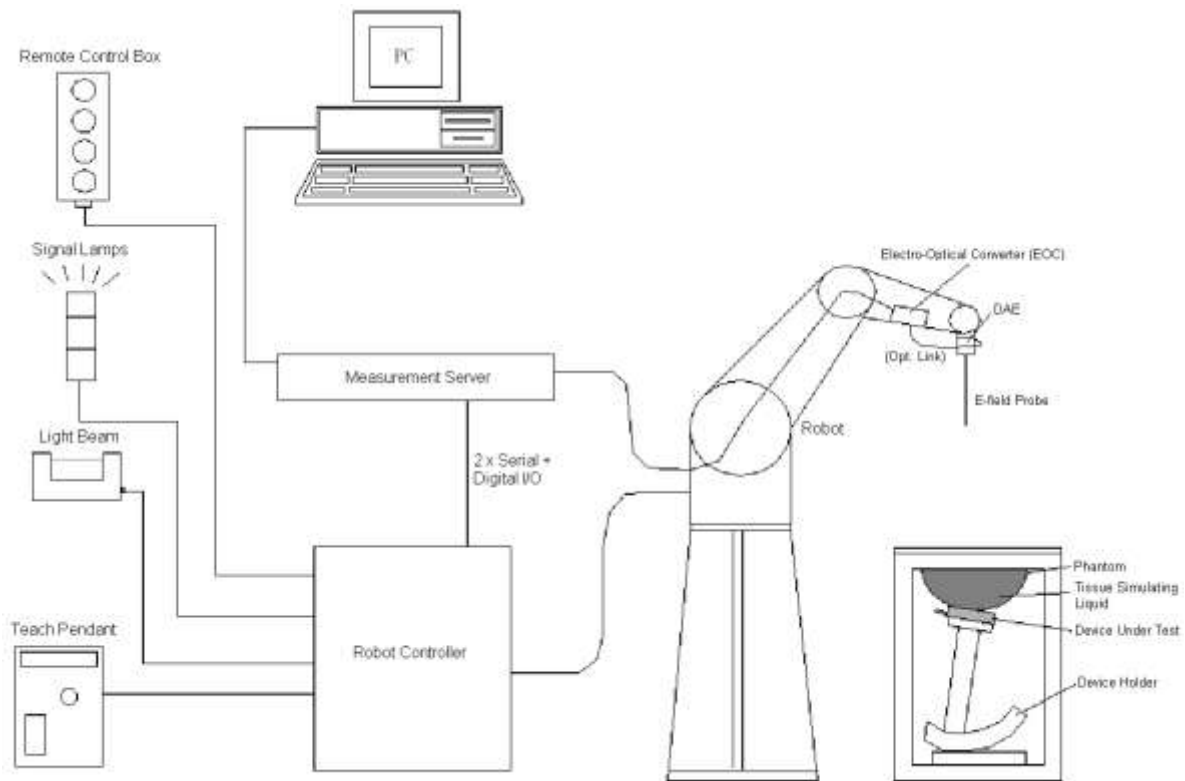
$$SAR = \frac{\sigma |E|^2}{\rho}$$

Where:  $\sigma$  is the conductivity of the tissue,  $\rho$  is the mass density of the tissue and E is the RMS electrical field strength.

#### **3.2 SPEAG DASY System**

DASY system consists of high precision robot, probe alignment sensor, phantom, robot controller, controlled measurement server and near-field probe. The robot includes six axes that can move to the precision position of the DASY4/5 software defined. The DASY software can define the area that is detected by the probe. The robot is connected to controlled box. Controlled measurement server is connected to the controlled robot box. The DAE includes amplifier, signal multiplexing, AD converter, offset measurement and surface detection. It is connected to the Electro-optical coupler (ECO). The ECO performs the conversion from the optical into digital electric signal of the DAE and transfers data to the PC.

# FCC SAR Test Report



**Fig-3.1 DASY System Setup**

## 3.2.1 Robot

The DASY system uses the high precision robots from Stäubli SA (France). For the 6-axis controller system, the robot controller version (DASY4: CS7MB; DASY5: CS8c) from Stäubli is used. The Stäubli robot series have many features that are important for our application:

- High precision (repeatability  $\pm 0.035$  mm)
- High reliability (industrial design)
- Jerk-free straight movements
- Low ELF interference (the closed metallic construction shields against motor control fields)



**Fig-3.2 DASY4**



**Fig-3.3 DASY5**

## FCC SAR Test Report

### 3.2.2 Probes

The SAR measurement is conducted with the dosimetric probe. The probe is specially designed and calibrated for use in liquid with high permittivity. The dosimetric probe has special calibration in liquid at different frequency.

<b>Model</b>	EX3DV4	
<b>Construction</b>	Symmetrical design with triangular core. Built-in shielding against static charges. PEEK enclosure material (resistant to organic solvents, e.g., DGBE).	
<b>Frequency</b>	10 MHz to 6 GHz Linearity: $\pm 0.2$ dB	
<b>Directivity</b>	$\pm 0.3$ dB in HSL (rotation around probe axis) $\pm 0.5$ dB in tissue material (rotation normal to probe axis)	
<b>Dynamic Range</b>	10 $\mu$ W/g to 100 mW/g Linearity: $\pm 0.2$ dB (noise: typically $< 1$ $\mu$ W/g)	
<b>Dimensions</b>	Overall length: 337 mm (Tip: 20 mm) Tip diameter: 2.5 mm (Body: 12 mm) Typical distance from probe tip to dipole centers: 1 mm	

<b>Model</b>	ES3DV3	
<b>Construction</b>	Symmetrical design with triangular core. Interleaved sensors. Built-in shielding against static charges. PEEK enclosure material (resistant to organic solvents, e.g., DGBE).	
<b>Frequency</b>	10 MHz to 4 GHz Linearity: $\pm 0.2$ dB	
<b>Directivity</b>	$\pm 0.2$ dB in HSL (rotation around probe axis) $\pm 0.3$ dB in tissue material (rotation normal to probe axis)	
<b>Dynamic Range</b>	5 $\mu$ W/g to 100 mW/g Linearity: $\pm 0.2$ dB	
<b>Dimensions</b>	Overall length: 337 mm (Tip: 20 mm) Tip diameter: 3.9 mm (Body: 12 mm) Distance from probe tip to dipole centers: 2.0 mm	


### 3.2.3 Data Acquisition Electronics (DAE)


<b>Model</b>	DAE3, DAE4	
<b>Construction</b>	Signal amplifier, multiplexer, A/D converter and control logic. Serial optical link for communication with DASY embedded system (fully remote controlled). Two step probe touch detector for mechanical surface detection and emergency robot stop.	
<b>Measurement Range</b>	-100 to +300 mV (16 bit resolution and two range settings: 4mV, 400mV)	
<b>Input Offset Voltage</b>	$< 5\mu$ V (with auto zero)	
<b>Input Bias Current</b>	$< 50$ fA	
<b>Dimensions</b>	60 x 60 x 68 mm	



## FCC SAR Test Report

### 3.2.4 Phantoms

<b>Model</b>	Twin SAM	
<b>Construction</b>	The shell corresponds to the specifications of the Specific Anthropomorphic Mannequin (SAM) phantom defined in IEEE 1528 and IEC 62209-1. It enables the dosimetric evaluation of left and right hand phone usage as well as body mounted usage at the flat phantom region. A cover prevents evaporation of the liquid. Reference markings on the phantom allow the complete setup of all predefined phantom positions and measurement grids by teaching three points with the robot.	
<b>Material</b>	Vinylester, glass fiber reinforced (VE-GF)	
<b>Shell Thickness</b>	2 ± 0.2 mm (6 ± 0.2 mm at ear point)	
<b>Dimensions</b>	Length: 1000 mm Width: 500 mm Height: adjustable feet	
<b>Filling Volume</b>	approx. 25 liters	

<b>Model</b>	ELI	
<b>Construction</b>	Phantom for compliance testing of handheld and body-mounted wireless devices in the frequency range of 30 MHz to 6 GHz. ELI is fully compatible with the IEC 62209-2 standard and all known tissue simulating liquids. ELI has been optimized regarding its performance and can be integrated into our standard phantom tables. A cover prevents evaporation of the liquid. Reference markings on the phantom allow installation of the complete setup, including all predefined phantom positions and measurement grids, by teaching three points. The phantom is compatible with all SPEAG dosimetric probes and dipoles.	
<b>Material</b>	Vinylester, glass fiber reinforced (VE-GF)	
<b>Shell Thickness</b>	2.0 ± 0.2 mm (bottom plate)	
<b>Dimensions</b>	Major axis: 600 mm Minor axis: 400 mm	
<b>Filling Volume</b>	approx. 30 liters	

# FCC SAR Test Report

## 3.2.5 Device Holder

<b>Model</b>	Mounting Device	
<b>Construction</b>	In combination with the Twin SAM Phantom or ELI4, the Mounting Device enables the rotation of the mounted transmitter device in spherical coordinates. Rotation point is the ear opening point. Transmitter devices can be easily and accurately positioned according to IEC, IEEE, FCC or other specifications. The device holder can be locked for positioning at different phantom sections (left head, right head, flat).	
<b>Material</b>	POM	

<b>Model</b>	Laptop Extensions Kit	
<b>Construction</b>	Simple but effective and easy-to-use extension for Mounting Device that facilitates the testing of larger devices according to IEC 62209-2 (e.g., laptops, cameras, etc.). It is lightweight and fits easily on the upper part of the Mounting Device in place of the phone positioner.	
<b>Material</b>	POM, Acrylic glass, Foam	

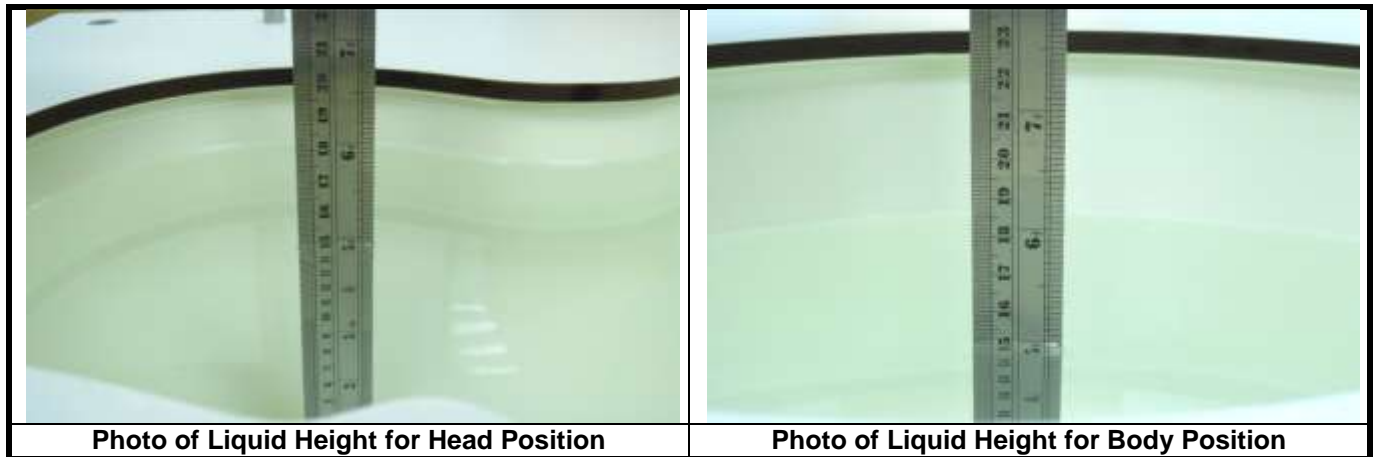
## 3.2.6 System Validation Dipoles

<b>Model</b>	D-Serial	
<b>Construction</b>	Symmetrical dipole with 1/4 balun. Enables measurement of feed point impedance with NWA. Matched for use near flat phantoms filled with tissue simulating solutions.	
<b>Frequency</b>	750 MHz to 5800 MHz	
<b>Return Loss</b>	> 20 dB	
<b>Power Capability</b>	> 100 W (f < 1GHz), > 40 W (f > 1GHz)	

## FCC SAR Test Report

### 3.2.7 Tissue Simulating Liquids

For SAR measurement of the field distribution inside the phantom, the phantom must be filled with homogeneous tissue simulating liquid to a depth of at least 15 cm. For head SAR testing, the liquid height from the ear reference point (ERP) of the phantom to the liquid top surface is larger than 15 cm. For body SAR testing, the liquid height from the center of the flat phantom to the liquid top surface is larger than 15 cm. The nominal dielectric values of the tissue simulating liquids in the phantom and the tolerance of 5% are listed in Table-3.1.



The dielectric properties of the head tissue simulating liquids are defined in IEEE 1528, and KDB 865664 D01 Appendix A. For the body tissue simulating liquids, the dielectric properties are defined in KDB 865664 D01 Appendix A. The dielectric properties of the tissue simulating liquids were verified prior to the SAR evaluation using a dielectric assessment kit and a network analyzer.



## FCC SAR Test Report

Table-3.1 Targets of Tissue Simulating Liquid

Frequency (MHz)	Target Permittivity	Range of $\pm 5\%$	Target Conductivity	Range of $\pm 5\%$
<b>For Head</b>				
750	41.9	39.8 ~ 44.0	0.89	0.85 ~ 0.93
835	41.5	39.4 ~ 43.6	0.90	0.86 ~ 0.95
900	41.5	39.4 ~ 43.6	0.97	0.92 ~ 1.02
1450	40.5	38.5 ~ 42.5	1.20	1.14 ~ 1.26
1640	40.3	38.3 ~ 42.3	1.29	1.23 ~ 1.35
1750	40.1	38.1 ~ 42.1	1.37	1.30 ~ 1.44
1800	40.0	38.0 ~ 42.0	1.40	1.33 ~ 1.47
1900	40.0	38.0 ~ 42.0	1.40	1.33 ~ 1.47
2000	40.0	38.0 ~ 42.0	1.40	1.33 ~ 1.47
2300	39.5	37.5 ~ 41.5	1.67	1.59 ~ 1.75
2450	39.2	37.2 ~ 41.2	1.80	1.71 ~ 1.89
2600	39.0	37.1 ~ 41.0	1.96	1.86 ~ 2.06
3500	37.9	36.0 ~ 39.8	2.91	2.76 ~ 3.06
5200	36.0	34.2 ~ 37.8	4.66	4.43 ~ 4.89
5300	35.9	34.1 ~ 37.7	4.76	4.52 ~ 5.00
5500	35.6	33.8 ~ 37.4	4.96	4.71 ~ 5.21
5600	35.5	33.7 ~ 37.3	5.07	4.82 ~ 5.32
5800	35.3	33.5 ~ 37.1	5.27	5.01 ~ 5.53
<b>For Body</b>				
750	55.5	52.7 ~ 58.3	0.96	0.91 ~ 1.01
835	55.2	52.4 ~ 58.0	0.97	0.92 ~ 1.02
900	55.0	52.3 ~ 57.8	1.05	1.00 ~ 1.10
1450	54.0	51.3 ~ 56.7	1.30	1.24 ~ 1.37
1640	53.8	51.1 ~ 56.5	1.40	1.33 ~ 1.47
1750	53.4	50.7 ~ 56.1	1.49	1.42 ~ 1.56
1800	53.3	50.6 ~ 56.0	1.52	1.44 ~ 1.60
1900	53.3	50.6 ~ 56.0	1.52	1.44 ~ 1.60
2000	53.3	50.6 ~ 56.0	1.52	1.44 ~ 1.60
2300	52.9	50.3 ~ 55.5	1.81	1.72 ~ 1.90
2450	52.7	50.1 ~ 55.3	1.95	1.85 ~ 2.05
2600	52.5	49.9 ~ 55.1	2.16	2.05 ~ 2.27
3500	51.3	48.7 ~ 53.9	3.31	3.14 ~ 3.48
5200	49.0	46.6 ~ 51.5	5.30	5.04 ~ 5.57
5300	48.9	46.5 ~ 51.3	5.42	5.15 ~ 5.69
5500	48.6	46.2 ~ 51.0	5.65	5.37 ~ 5.93
5600	48.5	46.1 ~ 50.9	5.77	5.48 ~ 6.06
5800	48.2	45.8 ~ 50.6	6.00	5.70 ~ 6.30



## FCC SAR Test Report

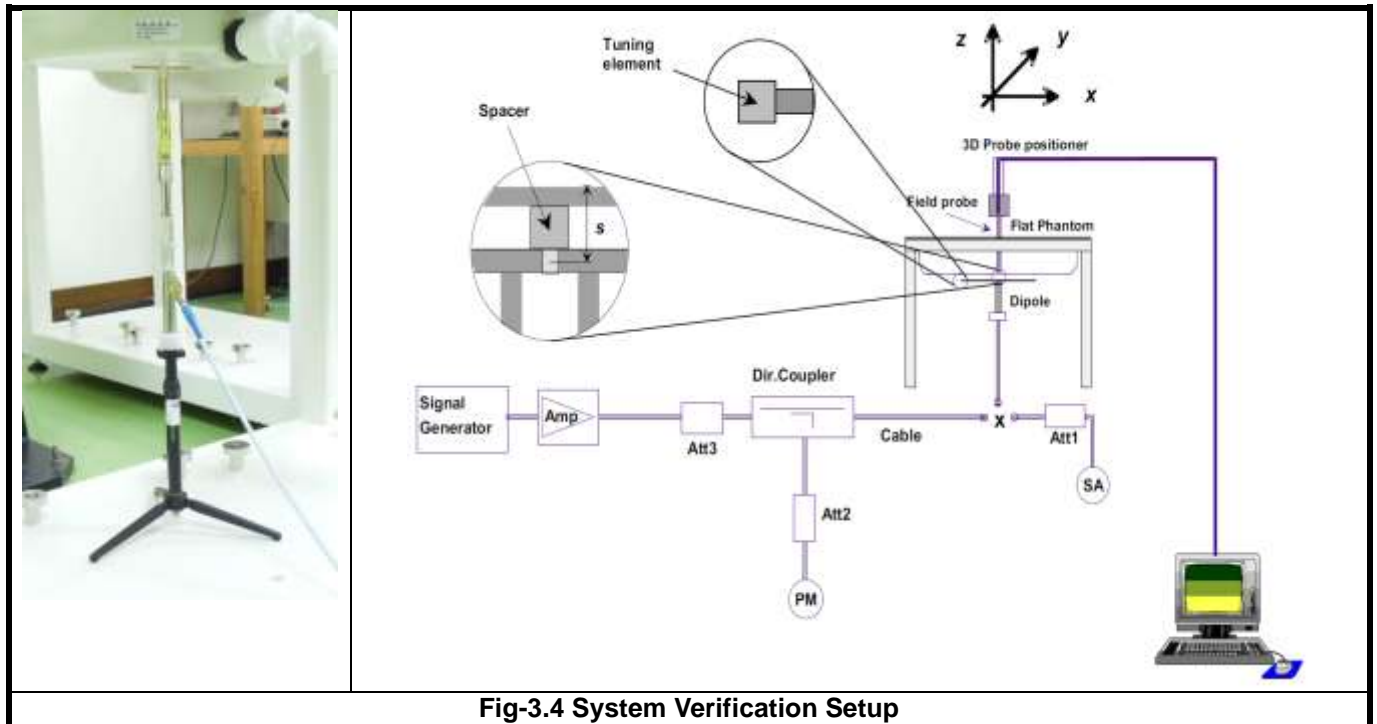
The following table gives the recipes for tissue simulating liquids.

**Table-3.2 Recipes of Tissue Simulating Liquid**

Tissue Type	Bactericide	DGBE	HEC	NaCl	Sucrose	Triton X-100	Water	Diethylene Glycol Mono-hexylether
H750	0.2	-	0.2	1.5	56.0	-	42.1	-
H835	0.2	-	0.2	1.5	57.0	-	41.1	-
H900	0.2	-	0.2	1.4	58.0	-	40.2	-
H1450	-	43.3	-	0.6	-	-	56.1	-
H1640	-	45.8	-	0.5	-	-	53.7	-
H1750	-	47.0	-	0.4	-	-	52.6	-
H1800	-	44.5	-	0.3	-	-	55.2	-
H1900	-	44.5	-	0.2	-	-	55.3	-
H2000	-	44.5	-	0.1	-	-	55.4	-
H2300	-	44.9	-	0.1	-	-	55.0	-
H2450	-	45.0	-	0.1	-	-	54.9	-
H2600	-	45.1	-	0.1	-	-	54.8	-
H3500	-	8.0	-	0.2	-	20.0	71.8	-
H5G	-	-	-	-	-	17.2	65.5	17.3
B750	0.2	-	0.2	0.8	48.8	-	50.0	-
B835	0.2	-	0.2	0.9	48.5	-	50.2	-
B900	0.2	-	0.2	0.9	48.2	-	50.5	-
B1450	-	34.0	-	0.3	-	-	65.7	-
B1640	-	32.5	-	0.3	-	-	67.2	-
B1750	-	31.0	-	0.2	-	-	68.8	-
B1800	-	29.5	-	0.4	-	-	70.1	-
B1900	-	29.5	-	0.3	-	-	70.2	-
B2000	-	30.0	-	0.2	-	-	69.8	-
B2300	-	31.0	-	0.1	-	-	68.9	-
B2450	-	31.4	-	0.1	-	-	68.5	-
B2600	-	31.8	-	0.1	-	-	68.1	-
B3500	-	28.8	-	0.1	-	-	71.1	-
B5G	-	-	-	-	-	10.7	78.6	10.7

### 3.3 SAR System Verification

The system check verifies that the system operates within its specifications. It is performed daily or before every SAR measurement. The system check uses normal SAR measurements in the flat section of the phantom with a matched dipole at a specified distance. The system verification setup is shown as below.



**Fig-3.4 System Verification Setup**

The validation dipole is placed beneath the flat phantom with the specific spacer in place. The distance spacer is touch the phantom surface with a light pressure at the reference marking and be oriented parallel to the long side of the phantom. The spectrum analyzer measures the forward power at the location of the system check dipole connector. The signal generator is adjusted for the desired forward power (250 mW is used for 700 MHz to 3 GHz, 100 mW is used for 3.5 GHz to 6 GHz) at the dipole connector and the power meter is read at that level. After connecting the cable to the dipole, the signal generator is readjusted for the same reading at power meter.

After system check testing, the SAR result will be normalized to 1W forward input power and compared with the reference SAR value derived from validation dipole certificate report. The deviation of system check should be within 10 %.

# FCC SAR Test Report

## 3.4 SAR Measurement Procedure

According to the SAR test standard, the recommended procedure for assessing the peak spatial-average SAR value consists of the following steps:

- (a) Power reference measurement
- (b) Area scan
- (c) Zoom scan
- (d) Power drift measurement

The SAR measurement procedures for each of test conditions are as follows:

- (a) Make EUT to transmit maximum output power
- (b) Measure conducted output power through RF cable
- (c) Place the EUT in the specific position of phantom
- (d) Perform SAR testing steps on the DASY system
- (e) Record the SAR value

### 3.4.1 Area & Zoom Scan Procedure

First Area Scan is used to locate the approximate location(s) of the local peak SAR value(s). The measurement grid within an Area Scan is defined by the grid extent, grid step size and grid offset. Next, in order to determine the EM field distribution in a three-dimensional spatial extension, Zoom Scan is required. The Zoom Scan is performed around the highest E-field value to determine the averaged SAR-distribution over 10 g. According to KDB 865664 D01, the resolution for Area and Zoom scan is specified in the table below.

Items	<= 2 GHz	2-3 GHz	3-4 GHz	4-5 GHz	5-6 GHz
Area Scan ( $\Delta x, \Delta y$ )	<= 15 mm	<= 12 mm	<= 12 mm	<= 10 mm	<= 10 mm
Zoom Scan ( $\Delta x, \Delta y$ )	<= 8 mm	<= 5 mm	<= 5 mm	<= 4 mm	<= 4 mm
Zoom Scan ( $\Delta z$ )	<= 5 mm	<= 5 mm	<= 4 mm	<= 3 mm	<= 2 mm
Zoom Scan Volume	>= 30 mm	>= 30 mm	>= 28 mm	>= 25 mm	>= 22 mm

**Note:**

When zoom scan is required and report SAR is <= 1.4 W/kg, the zoom scan resolution of  $\Delta x / \Delta y$  (2-3GHz: <= 8 mm, 3-4GHz: <= 7 mm, 4-6GHz: <= 5 mm) may be applied.

### 3.4.2 Volume Scan Procedure

The volume scan is used for assess overlapping SAR distributions for antennas transmitting in different frequency bands. It is equivalent to an oversized zoom scan used in standalone measurements. The measurement volume will be used to enclose all the simultaneous transmitting antennas. For antennas transmitting simultaneously in different frequency bands, the volume scan is measured separately in each frequency band. In order to sum correctly to compute the 1g aggregate SAR, the EUT remain in the same test position for all measurements and all volume scan use the same spatial resolution and grid spacing. When all volume scan were completed, the software, SEMCAD postprocessor can combine and subsequently superpose these measurement data to calculating the multiband SAR.



### 3.4.3 Power Drift Monitoring

All SAR testing is under the EUT install full charged battery and transmit maximum output power. In DASY measurement software, the power reference measurement and power drift measurement procedures are used for monitoring the power drift of EUT during SAR test. Both these procedures measure the field at a specified reference position before and after the SAR testing. The software will calculate the field difference in dB. If the power drift more than 5%, the SAR will be retested.

### 3.4.4 Spatial Peak SAR Evaluation

The procedure for spatial peak SAR evaluation has been implemented according to the test standard. It can be conducted for 1g and 10g, as well as for user-specific masses. The DASY software includes all numerical procedures necessary to evaluate the spatial peak SAR value.

The base for the evaluation is a "cube" measurement. The measured volume must include the 1g and 10g cubes with the highest averaged SAR values. For that purpose, the center of the measured volume is aligned to the interpolated peak SAR value of a previously performed area scan.

The entire evaluation of the spatial peak values is performed within the post-processing engine (SEMCAD). The system always gives the maximum values for the 1g and 10g cubes. The algorithm to find the cube with highest averaged SAR is divided into the following stages:

- (a) Extraction of the measured data (grid and values) from the Zoom Scan
- (b) Calculation of the SAR value at every measurement point based on all stored data (A/D values and measurement parameters)
- (c) Generation of a high-resolution mesh within the measured volume
- (d) Interpolation of all measured values from the measurement grid to the high-resolution grid
- (e) Extrapolation of the entire 3-D field distribution to the phantom surface over the distance from sensor to surface
- (f) Calculation of the averaged SAR within masses of 1g and 10g

### 3.4.5 SAR Averaged Methods

In DASY, the interpolation and extrapolation are both based on the modified Quadratic Shepard's method. The interpolation scheme combines a least-square fitted function method and a weighted average method which are the two basic types of computational interpolation and approximation.

Extrapolation routines are used to obtain SAR values between the lowest measurement points and the inner phantom surface. The extrapolation distance is determined by the surface detection distance and the probe sensor offset. The uncertainty increases with the extrapolation distance. To keep the uncertainty within 1% for the 1 g and 10 g cubes, the extrapolation distance should not be larger than 5 mm.





### **4. SAR Measurement Evaluation**

#### **4.1 EUT Configuration and Setting**

##### **<Connections between EUT and System Simulator>**

For WWAN SAR testing, the EUT was linked and controlled by base station emulator (Agilent E5515C is used for GSM/WCDMA/CDMA, and Anritsu MT8820C is used for LTE). Communication between the EUT and the emulator was established by air link. The distance between the EUT and the communicating antenna of the emulator is larger than 50 cm and the output power radiated from the emulator antenna is at least 30 dB smaller than the output power of EUT. The EUT was set from the emulator to radiate maximum output power during SAR testing.

##### **<Considerations Related to GSM / GPRS / EDGE for Setup and Testing>**

The maximum multi-slot capability supported by this device is as below.

1. This EUT is class B device
2. This EUT supports GPRS multi-slot class 33 (max. uplink: 4, max. downlink: 5, total timeslots: 6)
3. This EUT supports EDGE multi-slot class 33 (max. uplink: 4, max. downlink: 5, total timeslots: 6)
4. This EUT supports DTM multi-slot class 11 (max. uplink: 3 for 1 CS & 2 PS, max. downlink: 4, total timeslots: 5)

For GSM850 frequency band, the power control level is set to 5 for GSM mode and GPRS (GMSK: CS1), and set to 8 for EDGE (GMSK: MCS1, 8PSK: MCS9). For GSM1900 frequency band, the power control level is set to 0 for GSM mode and GPRS (GMSK: CS1), and set to 2 for EDGE (GMSK: MCS1, 8PSK: MCS9).

SAR test reduction for GPRS and EDGE modes is determined by the source-based time-averaged output power specified for production units, including tune-up tolerance. The data mode with highest specified time-averaged output power should be tested for SAR compliance in the applicable exposure conditions. For modes with the same specified maximum output power and tolerance, the higher number time-slot configuration should be tested.

##### **<Considerations Related to WCDMA for Setup and Testing>**

###### **WCDMA Handsets Head SAR**

SAR for next to the ear head exposure is measured using a 12.2 kbps RMC with TPC bits configured to all "1's". The 3G SAR test reduction procedure is applied to AMR configurations with 12.2 kbps RMC as the primary mode.

###### **WCDMA Handsets Body-worn SAR**

SAR for body-worn configurations is measured using a 12.2 kbps RMC with TPC bits configured to all "1's". The 3G SAR test reduction procedure is applied to other spreading codes and multiple DPDCH<sub>n</sub> configurations supported by the handset with 12.2 kbps RMC as the primary mode.



# FCC SAR Test Report

A D T

## Handsets with Release 5 HSDPA

The 3G SAR test reduction procedure is applied to HSDPA body-worn configurations with 12.2 kbps RMC as the primary mode. Otherwise, SAR is measured for HSDPA using the HSDPA body SAR procedures in the “Release 5 HSDPA Data Devices”, for the highest reported SAR body-worn exposure configuration in 12.2 kbps RMC. Handsets with both HSDPA and HSUPA are tested according to Release 6 HSPA test procedures.

## Handsets with Release 6 HSUPA

The 3G SAR test reduction procedure is applied to HSPA (HSUPA/HSDPA with RMC) body-worn configurations with 12.2 kbps RMC as the primary mode. Otherwise, SAR is measured for HSPA using the HSPA body SAR procedures in the “Release 6 HSPA Data Devices”, for the highest reported body-worn exposure SAR configuration in 12.2 kbps RMC. When VOIP is applicable for next to the ear head exposure in HSPA, the 3G SAR test reduction procedure is applied to HSPA with 12.2 kbps RMC as the primary mode; otherwise, the same HSPA configuration used for body-worn measurements is tested for next to the ear head exposure.

## Release 5 HSDPA Data Devices

The 3G SAR test reduction procedure is applied to body SAR with 12.2 kbps RMC as the primary mode. Otherwise, body SAR for HSDPA is measured using an FRC with H-Set 1 in Sub-test 1 and a 12.2 kbps RMC configured in Test Loop Mode 1, for the highest reported SAR configuration in 12.2 kbps RMC without HSDPA. HSDPA is configured according to the applicable UE category of a test device. The number of HS-DSCH / HS-PDSCHs, HARQ processes, minimum inter-TTI interval, transport block sizes and RV coding sequence are defined by the H-set. To maintain a consistent test configuration and stable transmission conditions, QPSK is used in the H-set for SAR testing. HS-DPCCH should be configured with a CQI feedback cycle of 4 ms and a CQI repetition factor of 2 to maintain a constant rate of active CQI slots. DPCCH and DPDCH gain factors ( $\beta_c$ ,  $\beta_d$ ), and HS-DPCCH power offset parameters ( $\Delta_{ACK}$ ,  $\Delta_{NACK}$ ,  $\Delta_{CQI}$ ) are set according to values indicated in below. The CQI value is determined by the UE category, transport block size, number of HS-PDSCHs and modulation used in the H-set.

Sub-test	$\beta_c$	$\beta_d$	$\beta_d$ (SF)	$\beta_c / \beta_d$	$\beta_{hs}^{(1)}$	CM (dB) <sup>(2)</sup>	MPR
1	2 / 15	15 / 15	64	2 / 15	4 / 15	0.0	0
2	12 / 15 <sup>(3)</sup>	15 / 15 <sup>(3)</sup>	64	12 / 15 <sup>(3)</sup>	24 / 15	1.0	0
3	15 / 15	8 / 15	64	15 / 8	30 / 15	1.5	0.5
4	15 / 15	4 / 15	64	15 / 4	30 / 15	1.5	0.5

Note 1:  $\Delta_{ACK}$ ,  $\Delta_{NACK}$  and  $\Delta_{CQI} = 8 \Leftrightarrow A_{hs} = \beta_{hs} / \beta_c = 30 / 15 \Leftrightarrow \beta_{hs} = 30 / 15 * \beta_c$ .  
 Note 2: CM = 1 for  $\beta_c / \beta_d = 12 / 15$ ,  $\beta_{hs} / \beta_c = 24 / 15$ .  
 Note 3: For subtest 2 the  $\beta_c / \beta_d$  ratio of 12 / 15 for the TFC during the measurement period (TF1, TF0) is achieved by setting the signaled gain factors for the reference TFC (TF1, TF1) to  $\beta_c = 11 / 15$  and  $\beta_d = 15 / 15$ .



## FCC SAR Test Report

### Release 6 HSUPA Data Devices

The 3G SAR test reduction procedure is applied to body SAR with 12.2 kbps RMC as the primary mode. Otherwise, body SAR for HSPA is measured with E-DCH Sub-test 5, using H-Set 1 and QPSK for FRC and a 12.2 kbps RMC configured in Test Loop Mode 1 and power control algorithm 2, according to the highest reported body SAR configuration in 12.2 kbps RMC without HSPA. When VOIP applies to head exposure, the 3G SAR test reduction procedure is applied with 12.2 kbps RMC as the primary mode. Otherwise, the same HSPA configuration used for body SAR measurements are applied to head exposure testing. Due to inner loop power control requirements in HSPA, a communication test set is required for output power and SAR tests. The 12.2 kbps RMC, FRC H-set 1 and E-DCH configurations for HSPA are configured according to the  $\beta$  values indicated in below.

Sub-test	$\beta_c$	$\beta_d$	$\beta_d$ (SF)	$\beta_c / \beta_d$	$\beta_{hs}$ (1)	$\beta_{ec}$	$\beta_{ed}$	$\beta_{ed}$ (SF)	$\beta_{ed}$ (codes)	CM (2)	MPR (dB)	AG (4) Index	E-TFCI
1	11 / 15 (3)	15 / 15 (3)	64	11 / 15 (3)	22 / 15	209 / 225	1039 / 225	4	1	1.0	0.0	20	75
2	6 / 15	15 / 15	64	6 / 15	12 / 15	12 / 15	94 / 75	4	1	3.0	2.0	12	67
3	15 / 15	9 / 15	64	15 / 9	30 / 15	30 / 15	$\beta_{ed1}: 47/15$ $\beta_{ed2}: 47/15$	4	2	2.0	1.0	15	92
4	2 / 15	15 / 15	64	2 / 15	4 / 15	2 / 15	56 / 75	4	1	3.0	2.0	17	71
5	15 / 15 (4)	15 / 15 (4)	64	15 / 15 (4)	30 / 15	24 / 15	134 / 15	4	1	1.0	0.0	21	81

Note 1:  $\Delta_{ACK}, \Delta_{NACK}$  and  $\Delta_{CQI} = 8 \Leftrightarrow A_{hs} = \beta_{hs} / \beta_c = 30 / 15 \Leftrightarrow \beta_{hs} = 30 / 15 * \beta_c$   
 Note 2: CM = 1 for  $\beta_c / \beta_d = 12 / 15, \beta_{hs} / \beta_c = 24 / 15$ . For all other combinations of DPDCH, DPCCH, HS-DPCCH, E-DPDCH and E-DPCCH the MPR is based on the relative CM difference.  
 Note 3: For subtest 1 the  $\beta_c / \beta_d$  ratio of 11 / 15 for the TFC during the measurement period (TF1, TF0) is achieved by setting the signaled gain factors for the reference TFC (TF1, TF1) to  $\beta_c = 10 / 15$  and  $\beta_d = 15 / 15$ .  
 Note 4: For subtest 5 the  $\beta_c / \beta_d$  ratio of 15 / 15 for the TFC during the measurement period (TF1, TF0) is achieved by setting the signaled gain factors for the reference TFC (TF1, TF1) to  $\beta_c = 14 / 15$  and  $\beta_d = 15 / 15$ .  
 Note 5: Testing UE using E-DPDCH Physical Layer category 1 Sub-test 3 is not required according to TS 25.306 Table 5.1g.  
 Note 6:  $\beta_{ed}$  cannot be set directly; it is set by Absolute Grant Value.

### <Considerations Related to WLAN for Setup and Testing>

In general, various vendor specific external test software and chipset based internal test modes are typically used for SAR measurement. These chipset based test mode utilities are generally hardware and manufacturer dependent, and often include substantial flexibility to reconfigure or reprogram a device. A Wi-Fi device must be configured to transmit continuously at the required data rate, channel bandwidth and signal modulation, using the highest transmission duty factor supported by the test mode tools for SAR measurement. The test frequencies established using test mode must correspond to the actual channel frequencies. When 802.11 frame gaps are accounted for in the transmission, a maximum transmission duty factor of 92 - 96% is typically achievable in most test mode configurations. A minimum transmission duty factor of 85% is required to avoid certain hardware and device implementation issues related to wide range SAR scaling. In addition, a periodic transmission duty factor is required for current generation SAR systems to measure SAR correctly. The reported SAR must be scaled to 100% transmission duty factor to determine compliance at the maximum tune-up tolerance limit.

According to KDB 248227 D01, this device has installed WLAN engineering testing software which can provide continuous transmitting RF signal. During WLAN SAR testing, this device was operated to transmit continuously at the maximum transmission duty with specified transmission mode, operating frequency, lowest data rate, and maximum output power.



## FCC SAR Test Report

---

### Initial Test Configuration

An initial test configuration is determined for OFDM transmission modes in 2.4 GHz and 5 GHz bands according to the channel bandwidth, modulation and data rate combination(s) with the highest maximum output power specified for production units in each standalone and aggregated frequency band. When the same maximum power is specified for multiple transmission modes in a frequency band, the largest channel bandwidth, lowest order modulation, lowest data rate and lowest order 802.11a/g/n/ac mode is used for SAR measurement, on the highest measured output power channel in the initial test configuration, for each frequency band.

### Subsequent Test Configuration

SAR measurement requirements for the remaining 802.11 transmission mode configurations that have not been tested in the initial test configuration are determined separately for each standalone and aggregated frequency band, in each exposure condition, according to the maximum output power specified for production units. Additional power measurements may be required to determine if SAR measurements are required for subsequent highest output power channels in a subsequent test configuration. When the highest reported SAR for the initial test configuration according to the initial test position or fixed exposure position requirements, is adjusted by the ratio of the subsequent test configuration to initial test configuration specified maximum output power and the adjusted SAR is  $\leq 1.2$  W/kg, SAR is not required for that subsequent test configuration.

### SAR Test Configuration and Channel Selection

When multiple channel bandwidth configurations in a frequency band have the same specified maximum output power, the initial test configuration is using largest channel bandwidth, lowest order modulation, lowest data rate, and lowest order 802.11 mode (i.e., 802.11a is chosen over 802.11n then 802.11ac or 802.11g is chosen over 802.11n). After an initial test configuration is determined, if multiple test channels have the same measured maximum output power, the channel chosen for SAR measurement is determined according to the following.

- 1) The channel closest to mid-band frequency is selected for SAR measurement.
- 2) For channels with equal separation from mid-band frequency; for example, high and low channels or two mid-band channels, the higher frequency (number) channel is selected for SAR measurement.

### Test Reduction for U-NII-1 (5.2 GHz) and U-NII-2A (5.3 GHz) Bands

For devices that operate in both U-NII bands using the same transmitter and antenna(s), SAR test reduction is determined according to the following.

- 1) When the same maximum output power is specified for both bands, begin SAR measurement in U-NII-2A band by applying the OFDM SAR requirements. If the highest reported SAR for a test configuration is  $\leq 1.2$  W/kg, SAR is not required for U-NII-1 band for that configuration (802.11 mode and exposure condition).
- 2) When different maximum output power is specified for the bands, begin SAR measurement in the band with higher specified maximum output power. The highest reported SAR for the tested configuration is adjusted by the ratio of lower to higher specified maximum output power for the two bands. When the adjusted SAR is  $\leq 1.2$  W/kg, SAR is not required for the band with lower maximum output power in that test configuration.

### <Considerations Related to Bluetooth for Setup and Testing>

This device has installed Bluetooth engineering testing software which can provide continuous transmitting RF signal. During Bluetooth SAR testing, this device was operated to transmit continuously at the maximum transmission duty with specified transmission mode, operating frequency, lowest data rate, and maximum output power.

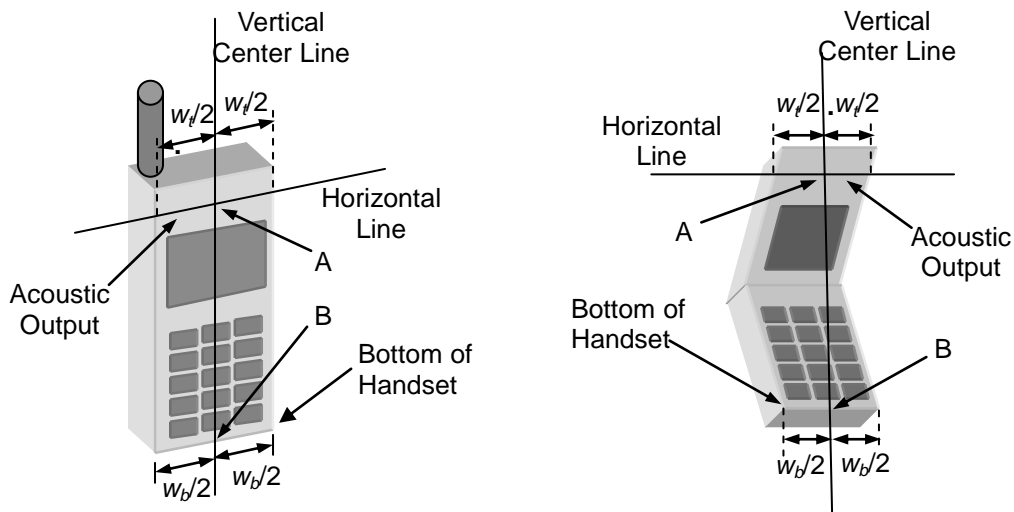
**4.2 EUT Testing Position**

According to KDB 648474 D04, handsets are tested for SAR compliance in head, body-worn accessory and other use configurations described in the following subsections.

**4.2.1 Head Exposure Conditions**

Head exposure is limited to next to the ear voice mode operations. Head SAR compliance is tested according to the test positions defined in IEEE Std 1528-2003 using the SAM phantom illustrated as below.

1. Define two imaginary lines on the handset
  - (a) The vertical centerline passes through two points on the front side of the handset - the midpoint of the width  $w_t$  of the handset at the level of the acoustic output, and the midpoint of the width  $w_b$  of the bottom of the handset.
  - (b) The horizontal line is perpendicular to the vertical centerline and passes through the center of the acoustic output. The horizontal line is also tangential to the face of the handset at point A.
  - (c) The two lines intersect at point A. Note that for many handsets, point A coincides with the center of the acoustic output; however, the acoustic output may be located elsewhere on the horizontal line. Also note that the vertical centerline is not necessarily parallel to the front face of the handset, especially for clamshell handsets, handsets with flip covers, and other irregularly shaped handsets.



**Fig-4.1 Illustration for Handset Vertical and Horizontal Reference Lines**

## FCC SAR Test Report

### 2. Cheek Position

- (a) To position the device with the vertical center line of the body of the device and the horizontal line crossing the center piece in a plane parallel to the sagittal plane of the phantom. While maintaining the device in this plane, align the vertical center line with the reference plane containing the three ear and mouth reference point (M: Mouth, RE: Right Ear, and LE: Left Ear) and align the center of the ear piece with the line RE-LE.
- (b) To move the device towards the phantom with the ear piece aligned with the line LE-RE until the phone touched the ear. While maintaining the device in the reference plane and maintaining the phone contact with the ear, move the bottom of the phone until any point on the front side is in contact with the cheek of the phantom or until contact with the ear is lost (see Fig-4.2).



Fig-4.2 Illustration for Cheek Position

### 3. Tilted Position

- (a) To position the device in the "cheek" position described above.
- (b) While maintaining the device the reference plane described above and pivoting against the ear, moves it outward away from the mouth by an angle of 15 degrees or until contact with the ear is lost (see Fig-4.3).

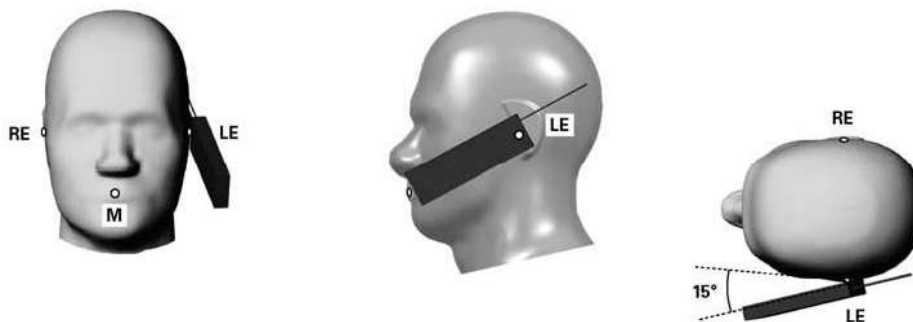


Fig-4.3 Illustration for Tilted Position

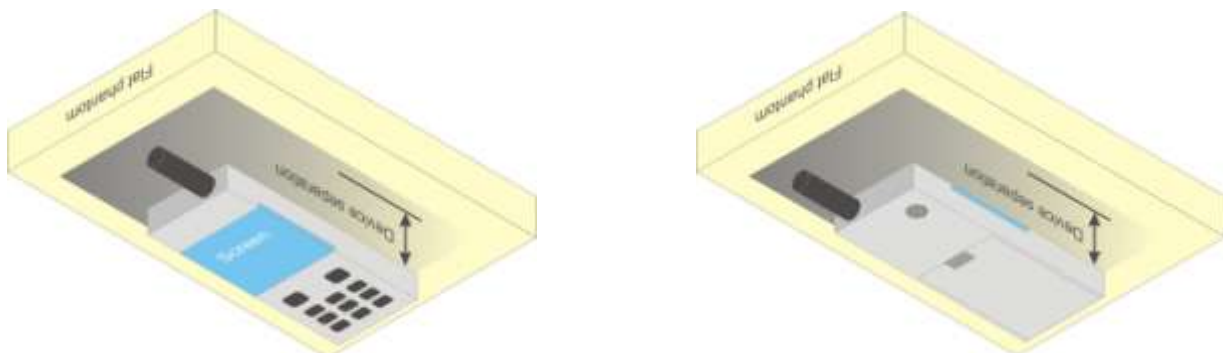
## 4.2.2 Body-worn Accessory Exposure Conditions

Body-worn accessory exposure is typically related to voice mode operations when handsets are carried in body-worn accessories. The body-worn accessory procedures in KDB 447498 D01 are used to test for body-worn accessory SAR compliance, without a headset connected to it. This enables the test results for such configuration to be compatible with that required for hotspot mode when the body-worn accessory test separation distance is greater than or equal to that required for hotspot mode. When the reported SAR for a body-worn accessory, measured without a headset connected to the handset, is  $> 1.2 \text{ W/kg}$ , the highest reported SAR configuration for that wireless mode and frequency band should be repeated for that body-worn accessory with a headset attached to the handset.

Body-worn accessories that do not contain metallic or conductive components may be tested according to worst-case exposure configurations, typically according to the smallest test separation distance required for the group of body-worn accessories with similar operating and exposure characteristics. All body-worn accessories containing metallic components are tested in conjunction with the host device.

Body-worn accessory SAR compliance is based on a single minimum test separation distance for all wireless and operating modes applicable to each body-worn accessory used by the host, and according to the relevant voice and/or data mode transmissions and operations. If a body-worn accessory supports voice only operations in its normal and expected use conditions, testing of data mode for body-worn compliance is not required.

A conservative minimum test separation distance for supporting off-the-shelf body-worn accessories that may be acquired by users of consumer handsets is used to test for body-worn accessory SAR compliance. This distance is determined by the handset manufacturer, according to the requirements of Supplement C 01-01. Devices that are designed to operate on the body of users using lanyards and straps, or without requiring additional body-worn accessories, will be tested using a conservative minimum test separation distance  $\leq 5 \text{ mm}$  to support compliance.

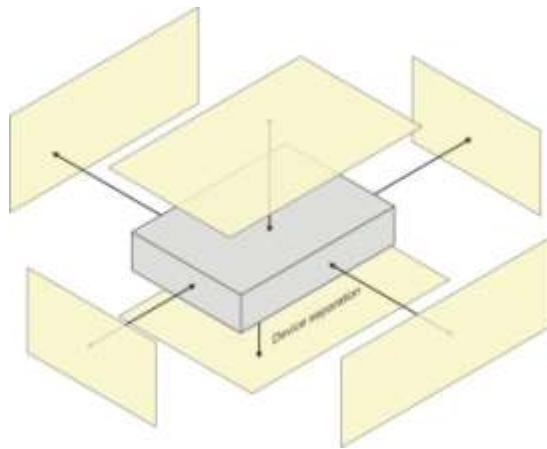


**Fig-4.4 Illustration for Body Worn Position**

# FCC SAR Test Report

## 4.2.3 Hotspot Mode Exposure Conditions

For handsets that support hotspot mode operations, with wireless router capabilities and various web browsing functions, the relevant hand and body exposure conditions are tested according to the hotspot SAR procedures in KDB 941225 D06. A test separation distance of 10 mm is required between the phantom and all surfaces and edges with a transmitting antenna located within 25 mm from that surface or edge. When the form factor of a handset is smaller than 9 cm x 5 cm, a test separation distance of 5 mm (instead of 10 mm) is required for testing hotspot mode. When the separation distance required for body-worn accessory testing is larger than or equal to that tested for hotspot mode, in the same wireless mode and for the same surface of the phone, the hotspot mode SAR data may be used to support body-worn accessory SAR compliance for that particular configuration (surface).



Based on the antenna location shown on appendix D of this report, the SAR testing required for hotspot mode is listed as below.

Antenna	Front Face	Rear Face	Left Side	Right Side	Top Side	Bottom Side
WWAN Ant	V	V	V	V		V
WLAN	V	V		V		

## 4.2.4 Simultaneous Transmission Possibilities

The simultaneous transmission possibilities for this device are listed as below.

Simultaneous TX Combination	Capable Transmit Configurations	Head (Voice / VoIP)	Body-worn (Voice / VoIP)	Hotspot (Data)
1	GSM850 (Voice / Data) + WLAN (Data)	Yes	Yes	Yes
2	GSM1900 (Voice / Data) + WLAN (Data)	Yes	Yes	Yes
3	WCDMA V (Voice / Data) + WLAN (Data)	Yes	Yes	Yes
4	GSM850 (Voice / Data) + BT (Data)	No	Yes	No
5	GSM1900 (Voice / Data) + BT (Data)	No	Yes	No
6	WCDMA V (Voice / Data) + BT (Data)	No	Yes	No

### Note :

1. The 2.4G WLAN and 5G WLAN cannot transmit simultaneously.
2. The WLAN and Bluetooth cannot transmit simultaneously, so there is no co-location test requirement for WLAN and Bluetooth.





## FCC SAR Test Report

### 4.3 Tissue Verification

The measuring results for tissue simulating liquid are shown as below.

Test Date	Tissue Type	Frequency (MHz)	Liquid Temp. (°C)	Measured Conductivity ( $\sigma$ )	Measured Permittivity ( $\epsilon_r$ )	Target Conductivity ( $\sigma$ )	Target Permittivity ( $\epsilon_r$ )	Conductivity Deviation (%)	Permittivity Deviation (%)
May 18, 2015	Head	835.0	22.1	0.884	43.432	0.90	41.5	-1.78	4.66
Nov. 04, 2015	Head	835	23.0	0.912	41.598	0.90	41.5	1.33	0.24
Nov. 06, 2015	Head	835	23.1	0.908	41.361	0.90	41.5	0.89	-0.33
May 18, 2015	Head	1900	22.1	1.353	41.065	1.40	40.0	-3.36	2.66
Nov. 04, 2015	Head	1900	23.2	1.455	38.822	1.40	40.0	3.93	-2.94
Nov. 06, 2015	Head	1900	23.1	1.454	39.106	1.40	40.0	3.86	-2.24
Jun. 10, 2015	Head	2450	22.3	1.815	39.279	1.80	39.2	0.83	0.20
Nov. 04, 2015	Head	2450	23.0	1.871	38.454	1.80	39.2	0.83	0.20
Nov. 06, 2015	Head	2450	23.1	1.880	38.682	1.80	39.2	4.44	-1.32
Jun. 12, 2015	Head	5200	22.3	4.599	36.160	4.66	36.0	-1.31	0.44
Nov. 04, 2015	Head	5250	23.0	4.567	36.358	4.71	35.9	-3.04	1.28
Jun. 12, 2015	Head	5600	22.5	4.885	35.648	5.07	35.5	-3.65	0.42
Nov. 04, 2015	Head	5600	23.3	4.966	35.967	5.07	35.5	-2.05	1.32
Nov. 09, 2015	Head	5600	23.2	5.129	35.495	5.07	35.5	1.16	-0.01
Jun. 10, 2015	Head	5800	22.5	5.242	35.828	5.27	35.3	-0.53	1.50
Nov. 04, 2015	Head	5800	23.4	5.105	35.566	5.27	35.3	-3.13	0.75
Jun. 24, 2015	Body	835.0	22.6	0.973	54.103	0.97	55.2	0.31	-1.99
Nov. 04, 2015	Body	835	22.9	0.986	56.487	0.97	55.2	1.65	2.33
Nov. 06, 2015	Body	835	23.1	0.989	56.784	0.97	55.2	1.96	2.87
Jul. 01, 2015	Body	1900	22.7	1.568	51.277	1.52	53.3	3.16	-3.80
Nov. 04, 2015	Body	1900	23.0	1.576	51.477	1.52	53.3	3.68	-3.42
Nov. 06, 2015	Body	1900	23.1	1.584	51.781	1.52	53.3	4.21	-2.85
Jul. 01, 2015	Body	2450	22.8	2.019	50.916	1.95	52.7	3.54	-3.39
Jul. 06, 2015	Body	2450	22.9	1.997	50.923	1.95	52.7	2.41	-3.37
Nov. 05, 2015	Body	2450	23.0	1.977	51.090	1.95	52.7	1.38	-3.06
Nov. 07, 2015	Body	2450	23.2	1.977	51.090	1.95	52.7	1.38	-3.06
Jun. 23, 2015	Body	5200	21.7	5.182	51.045	5.30	49.0	-2.23	4.17
Nov. 05, 2015	Body	5250	23.2	5.158	48.511	5.36	48.9	-3.77	-0.80
Nov. 07, 2015	Body	5250	23.2	5.327	47.281	5.36	48.9	-0.62	-3.31
Jun. 23, 2015	Body	5600	21.9	5.856	50.376	5.77	48.5	1.49	3.87
Nov. 05, 2015	Body	5600	23.2	5.753	47.615	5.77	48.5	-0.29	-1.82
Nov. 07, 2015	Body	5600	23.2	5.898	46.563	5.77	48.5	2.22	-3.99
Jun. 23, 2015	Body	5800	22.1	6.155	49.875	6.00	48.2	2.58	3.48
Nov. 05, 2015	Body	5800	23.2	5.952	47.421	6.00	48.2	-0.80	-1.62
Nov. 07, 2015	Body	5800	23.2	6.185	46.167	6.00	48.2	3.08	-4.22

#### Note:

The dielectric properties of the tissue simulating liquid must be measured within 24 hours before the SAR testing and within  $\pm 5\%$  of the target values. Liquid temperature during the SAR testing must be within  $\pm 2$  °C.



# FCC SAR Test Report

## 4.4 System Validation

The SAR measurement system was validated according to procedures in KDB 865664 D01. The validation status in tabulated summary is as below.

Test Date	Probe S/N	Calibration Point		Measured Conductivity ( $\sigma$ )	Measured Permittivity ( $\epsilon_r$ )	Validation for CW			Validation for Modulation		
						Sensitivity Range	Probe Linearity	Probe Isotropy	Modulation Type	Duty Factor	PAR
May. 18, 2015	3590	Head	835	0.884	43.432	Pass	Pass	Pass	GMSK	N/A	N/A
Nov. 04, 2015	3864	Head	835	0.912	41.598	Pass	Pass	Pass	GMSK	N/A	N/A
Nov. 06, 2015	3864	Head	835	0.908	41.361	Pass	Pass	Pass	GMSK	N/A	N/A
May. 18, 2015	3590	Head	1900	1.353	41.065	Pass	Pass	Pass	GMSK	N/A	N/A
Nov. 04, 2015	3864	Head	1900	1.455	38.822	Pass	Pass	Pass	GMSK	N/A	N/A
Nov. 06, 2015	3864	Head	1900	1.454	39.106	Pass	Pass	Pass	GMSK	N/A	N/A
Jun. 10, 2015	3590	Head	2450	1.815	39.279	Pass	Pass	Pass	OFDM	N/A	Pass
Nov. 04, 2015	3864	Head	2450	1.871	38.454	Pass	Pass	Pass	OFDM	N/A	Pass
Nov. 06, 2015	3864	Head	2450	1.880	38.682	Pass	Pass	Pass	OFDM	N/A	Pass
Jun. 12, 2015	3650	Head	5200	4.599	36.160	Pass	Pass	Pass	OFDM	N/A	Pass
Nov. 04, 2015	3864	Head	5250	4.567	36.358	Pass	Pass	Pass	OFDM	N/A	Pass
Jun. 12, 2015	3650	Head	5600	4.885	35.648	Pass	Pass	Pass	OFDM	N/A	Pass
Nov. 04, 2015	3864	Head	5600	4.966	35.967	Pass	Pass	Pass	OFDM	N/A	Pass
Nov. 09, 2015	3864	Head	5600	5.129	35.495	Pass	Pass	Pass	OFDM	N/A	Pass
Jun. 10, 2015	3590	Head	5800	5.242	35.828	Pass	Pass	Pass	OFDM	N/A	Pass
Nov. 04, 2015	3864	Head	5800	5.105	35.566	Pass	Pass	Pass	OFDM	N/A	Pass
Jun. 24, 2015	3590	Body	835	0.973	54.103	Pass	Pass	Pass	GMSK	N/A	N/A
Nov. 04, 2015	3864	Body	835	0.986	56.487	Pass	Pass	Pass	GMSK	N/A	N/A
Nov. 06, 2015	3864	Body	835	0.989	56.784	Pass	Pass	Pass	GMSK	N/A	N/A
Jul. 01, 2015	3650	Body	1900	1.568	51.277	Pass	Pass	Pass	GMSK	N/A	N/A
Nov. 04, 2015	3864	Body	1900	1.576	51.477	Pass	Pass	Pass	GMSK	N/A	N/A
Nov. 06, 2015	3864	Body	1900	1.584	51.781	Pass	Pass	Pass	GMSK	N/A	N/A
Jul. 01, 2015	3650	Body	2450	2.019	50.916	Pass	Pass	Pass	OFDM	N/A	Pass
Jul. 06, 2015	3590	Body	2450	1.997	50.923	Pass	Pass	Pass	OFDM	N/A	Pass
Nov. 05, 2015	3864	Body	2450	1.977	51.090	Pass	Pass	Pass	OFDM	N/A	Pass
Nov. 07, 2015	3864	Body	2450	1.977	51.090	Pass	Pass	Pass	OFDM	N/A	Pass
Jun. 23, 2015	3650	Body	5200	5.182	51.045	Pass	Pass	Pass	OFDM	N/A	Pass
Nov. 07, 2015	3864	Body	5250	5.158	48.511	Pass	Pass	Pass	OFDM	N/A	Pass
Jun. 23, 2015	3650	Body	5600	5.856	50.376	Pass	Pass	Pass	OFDM	N/A	Pass
Nov. 05, 2015	3864	Body	5600	5.753	47.615	Pass	Pass	Pass	OFDM	N/A	Pass
Nov. 07, 2015	3864	Body	5600	5.898	46.563	Pass	Pass	Pass	OFDM	N/A	Pass
Jun. 23, 2015	3650	Body	5800	6.155	49.875	Pass	Pass	Pass	OFDM	N/A	Pass
Nov. 05, 2015	3864	Body	5800	5.952	47.421	Pass	Pass	Pass	OFDM	N/A	Pass
Nov. 07, 2015	3864	Body	5800	6.185	46.167	Pass	Pass	Pass	OFDM	N/A	Pass



# FCC SAR Test Report

## 4.5 System Verification

The measuring result for system verification is tabulated as below.

Test Date	Mode	Frequency (MHz)	1W Target SAR-1g (W/kg)	Measured SAR-1g (W/kg)	Normalized to 1W SAR-1g (W/kg)	Deviation (%)	Dipole S/N	Probe S/N	DAE S/N
May. 18, 2015	Head	835	9.43	2.38	9.52	0.95	4d121	3590	861
Nov. 04, 2015	Head	835	9.11	2.30	9.20	0.99	4d121	3864	861
Nov. 06, 2015	Head	835	9.11	2.38	9.52	4.50	4d121	3864	861
May. 18, 2015	Head	1900	40.70	9.99	39.96	-1.82	5d036	3590	861
Nov. 04, 2015	Head	1900	40.70	10.30	41.20	1.23	5d036	3864	861
Nov. 06, 2015	Head	1900	40.70	10.30	41.20	1.23	5d036	3864	861
Jun. 10, 2015	Head	2450	51.00	12.60	50.40	-1.18	737	3590	861
Nov. 04, 2015	Head	2450	53.00	13.40	53.60	1.13	737	3864	861
Nov. 06, 2015	Head	2450	53.00	13.70	54.80	3.40	737	3864	861
Jun. 12, 2015	Head	5200	79.70	7.63	76.30	-4.27	1019	3650	1277
Nov. 04, 2015	Head	5250	82.40	7.68	76.80	-6.80	1019	3864	861
Jun. 12, 2015	Head	5600	83.80	7.73	77.30	-7.76	1019	3650	1277
Nov. 04, 2015	Head	5600	83.90	7.86	78.60	-6.32	1019	3864	861
Nov. 09, 2015	Head	5600	83.90	8.12	81.20	-3.22	1019	3864	861
Jun. 10, 2015	Head	5800	80.20	7.57	75.70	-5.61	1019	3590	861
Nov. 04, 2015	Head	5800	81.80	7.64	76.40	-6.60	1019	3864	861
Jun. 24, 2015	Body	835	9.55	2.33	9.32	-2.41	4d121	3590	861
Nov. 04, 2015	Body	835	9.20	2.48	9.92	7.83	4d121	3864	861
Nov. 06, 2015	Body	835	9.20	2.37	9.48	3.04	4d121	3864	861
Jul. 01, 2015	Body	1900	39.80	10.00	40.00	0.50	5d036	3650	1277
Nov. 04, 2015	Body	1900	40.50	10.60	42.40	4.69	5d036	3864	861
Nov. 06, 2015	Body	1900	40.50	10.60	42.40	4.69	5d036	3864	861
Jul. 01, 2015	Body	2450	49.50	11.40	45.60	-7.88	737	3650	1277
Jul. 06, 2015	Body	2450	49.50	13.30	53.20	7.47	737	3590	861
Nov. 05, 2015	Body	2450	51.10	12.10	48.40	-5.28	737	3864	861
Nov. 07, 2015	Body	2450	51.10	12.30	49.20	-3.72	737	3864	861
Jun. 23, 2015	Body	5200	74.70	7.23	72.30	-3.21	1019	3650	1277
Nov. 05, 2015	Body	5250	76.40	7.31	73.10	-4.32	1019	3864	861
Nov. 07, 2015	Body	5250	76.40	7.16	71.60	-6.28	1019	3864	861
Jun. 23, 2015	Body	5600	80.80	7.80	78.00	-3.47	1019	3650	1277
Nov. 05, 2015	Body	5600	79.80	7.83	78.30	-1.88	1019	3864	861
Nov. 07, 2015	Body	5600	79.80	7.56	75.60	-5.26	1019	3864	861
Jun. 23, 2015	Body	5800	73.90	7.03	70.30	-4.87	1019	3650	1277
Nov. 05, 2015	Body	5800	77.30	7.22	72.20	-6.60	1019	3864	861
Nov. 07, 2015	Body	5800	77.30	7.23	72.30	-6.47	1019	3864	861

### Note:

Comparing to the reference SAR value provided by SPEAG, the validation data should be within its specification of 10 %. The result indicates the system check can meet the variation criterion and the plots can be referred to Appendix A of this report.



# FCC SAR Test Report

A D T

## 4.6 Maximum Output Power

### 4.6.1 Maximum Conducted Power

The maximum conducted average power (Unit: dBm) including tune-up tolerance is shown as below.

Mode	GSM850	GSM1900
GSM (GMSK, 1Tx-slot)	32.5	29.0
GPRS (GMSK, 1Tx-slot)	32.5	29.0
GPRS (GMSK, 2Tx-slot)	32.5	28.5
GPRS (GMSK, 3Tx-slot)	32.0	28.5
GPRS (GMSK, 4Tx-slot)	32.0	28.5
EDGE (8PSK, 1Tx-slot)	26.0	24.5
EDGE (8PSK, 2Tx-slot)	26.0	24.5
EDGE (8PSK, 3Tx-slot)	26.0	24.5
EDGE (8PSK, 4Tx-slot)	26.0	24.5
DTM (GMSK, 2Tx-slot)	32.0	28.5
DTM (GMSK, 3Tx-slot)	32.0	28.5
DTM (8PSK, 2Tx-slot)	32.0	28.5
DTM (8PSK, 3Tx-slot)	32.0	28.5

Mode	WCDMA Band V
RMC 12.2K	23.5
HSDPA	23.5
HSUPA	23.5

Mode	2.4G WLAN	5.2G WLAN	5.3G WLAN	5.6G WLAN	5.8G WLAN
802.11b	19.5	N/A	N/A	N/A	N/A
802.11g	16.5	N/A	N/A	N/A	N/A
802.11a	N/A	19.0	15.5	18.0	18.5
802.11n HT20	20.0	16.0	16.0	18.0	18.5
802.11n HT40	14.5	14.5	15.5	15.5	18.5

Mode	2.4G Bluetooth
Bluetooth	2.5



## FCC SAR Test Report

### 4.6.2 Measured Conducted Power Result

The measuring conducted average power (Unit: dBm) is shown as below.

Band Channel	GSM850			GSM1900		
	128	189	251	512	661	810
Frequency (MHz)	824.2	836.4	848.8	1850.2	1880.0	1909.8
<b>Maximum Burst-Averaged Output Power</b>						
GSM (GMSK, 1Tx-slot)	<b>32.23</b>	31.96	32.10	28.69	<b>28.76</b>	28.56
GPRS (GMSK, 1Tx-slot)	32.22	31.95	32.09	28.67	28.74	28.54
GPRS (GMSK, 2Tx-slot)	32.12	31.85	31.99	28.56	28.63	28.43
GPRS (GMSK, 3Tx-slot)	31.99	31.72	31.86	28.43	28.50	28.30
GPRS (GMSK, 4Tx-slot)	31.82	31.55	31.69	28.35	28.42	28.22
DTM (GMSK, 2Tx-slot)	31.87	31.60	31.74	28.48	28.55	28.35
DTM (GMSK, 3Tx-slot)	31.71	31.44	31.58	28.39	28.46	28.26
EDGE (8PSK, 1Tx-slot)	25.92	25.65	25.79	24.53	24.60	24.40
EDGE (8PSK, 2Tx-slot)	25.86	25.59	25.73	24.59	24.66	24.46
EDGE (8PSK, 3Tx-slot)	25.76	25.49	25.63	24.49	24.56	24.36
EDGE (8PSK, 4Tx-slot)	25.69	25.42	25.56	24.36	24.43	24.23
DTM (GMSK, 2Tx-slot)	31.76	31.49	31.63	28.43	28.50	28.30
DTM (GMSK, 3Tx-slot)	31.70	31.43	31.57	28.40	28.47	28.27
<b>Maximum Frame-Averaged Output Power</b>						
GSM (GMSK, 1Tx-slot)	23.23	22.96	23.10	19.69	19.76	19.56
GPRS (GMSK, 1Tx-slot)	23.22	22.95	23.09	19.67	19.74	19.54
GPRS (GMSK, 2Tx-slot)	26.12	25.85	25.99	22.56	22.63	22.43
GPRS (GMSK, 3Tx-slot)	27.73	27.46	27.60	24.17	24.24	24.04
GPRS (GMSK, 4Tx-slot)	<b>28.82</b>	28.55	28.69	25.35	<b>25.42</b>	25.22
DTM (GMSK, 2Tx-slot)	25.87	25.60	25.74	22.48	22.55	22.35
DTM (GMSK, 3Tx-slot)	27.45	27.18	27.32	24.13	24.20	24.00
EDGE (8PSK, 1Tx-slot)	16.92	16.65	16.79	15.53	15.60	15.40
EDGE (8PSK, 2Tx-slot)	19.86	19.59	19.73	18.59	18.66	18.46
EDGE (8PSK, 3Tx-slot)	21.50	21.23	21.37	20.23	20.30	20.10
EDGE (8PSK, 4Tx-slot)	22.69	22.42	22.56	21.36	21.43	21.23
DTM (GMSK, 2Tx-slot)	25.76	25.49	25.63	22.43	22.50	22.30
DTM (GMSK, 3Tx-slot)	27.44	27.17	27.31	24.14	24.21	24.01

#### Note:

1. SAR testing was performed on the maximum frame-averaged power mode.
2. The frame-averaged power is linearly proportion to the slot number configured and it is linearly scaled the maximum burst-averaged power based on time slots. The calculated method is shown as below:

$$\text{Frame-averaged power} = 10 \times \log (\text{Burst-averaged power mW} \times \text{Slot used} / 8)$$

Band Channel	WCDMA Band V			3GPP MPR (dB)
	4132	4182	4233	
Frequency (MHz)	826.4	836.4	846.6	
RMC 12.2K	<b>23.24</b>	23.09	23.13	-
HSDPA Subtest-1	23.21	23.06	23.10	0
HSDPA Subtest-2	23.22	23.07	23.11	0
HSDPA Subtest-3	22.72	22.57	22.61	0.5
HSDPA Subtest-4	22.75	22.60	22.64	0.5
HSUPA Subtest-1	22.76	22.61	22.65	0
HSUPA Subtest-2	21.08	20.93	20.97	2
HSUPA Subtest-3	21.85	21.70	21.74	1
HSUPA Subtest-4	21.71	21.55	21.41	2
HSUPA Subtest-5	23.20	23.05	23.09	0



# FCC SAR Test Report

## <WLAN 2.4G>

Mode	802.11b		
Channel / Frequency (MHz)	1 (2412)	6 (2437)	11 (2462)
Average Power	19.16	19.20	19.15
Mode	802.11g		
Channel / Frequency (MHz)	1 (2412)	6 (2437)	11 (2462)
Average Power	16.05	15.85	11.57
Mode	802.11n (HT20)		
Channel / Frequency (MHz)	1 (2412)	6 (2437)	11 (2462)
Average Power	15.70	19.58	12.20
Mode	802.11n (HT40)		
Channel / Frequency (MHz)	3 (2422)	6 (2437)	9 (2452)
Average Power	13.82	14.41	10.91

## <WLAN 5.2G>

Mode	802.11a			
Channel / Frequency (MHz)	36 (5180)	40 (5200)	44 (5220)	48 (5240)
Average Power	15.74	15.80	18.82	15.95
Mode	802.11n (HT20)			
Channel / Frequency (MHz)	36 (5180)	40 (5200)	44 (5220)	48 (5240)
Average Power	15.75	15.82	15.84	15.91
Mode	802.11n (HT40)			
Channel / Frequency (MHz)	38 (5190)		46 (5230)	
Average Power	13.84		14.35	

## <WLAN 5.6G>

Mode	802.11a							
Channel / Frequency (MHz)	100 (5500)	104 (5520)	108 (5540)	112 (5560)	116 (5580)	132 (5660)	136 (5680)	140 (5700)
Average Power	13.52	15.03	17.49	17.54	17.80	17.68	16.48	14.38
Mode	802.11n (HT20)							
Channel / Frequency (MHz)	100 (5500)	104 (5520)	108 (5540)	112 (5560)	116 (5580)	132 (5660)	136 (5680)	140 (5700)
Average Power	13.91	16.26	17.09	17.41	17.56	17.52	16.24	14.04
Mode	802.11n (HT40)							
Channel / Frequency (MHz)	102 (5510)				134 (5670)			
Average Power	10.05				15.36			

## <WLAN 5.8G>

Mode	802.11a				
Channel / Frequency (MHz)	149 (5745)	153 (5765)	157 (5785)	161 (5805)	165 (5825)
Average Power	16.10	18.04	18.24	17.98	16.74
Mode	802.11n (HT20)				
Channel / Frequency (MHz)	149 (5745)	153 (5765)	157 (5785)	161 (5805)	165 (5825)
Average Power	15.13	18.11	18.34	18.03	16.80
Mode	802.11n (HT40)				
Channel / Frequency (MHz)	151 (5755)		159 (5795)		
Average Power	15.29		18.24		

## <Bluetooth>

Mode	Bluetooth		
Channel / Frequency (MHz)	0 (2402)	39 (2441)	78 (2480)
Average Power	1.19	2.48	1.29



### **4.7 SAR Testing Results**

#### **4.7.1 SAR Test Reduction Considerations**

##### **<KDB 447498 D01, General RF Exposure Guidance>**

Testing of other required channels within the operating mode of a frequency band is not required when the reported SAR for the mid-band or highest output power channel is:

- (1)  $\leq 0.8$  W/kg or 2.0 W/kg, for 1-g or 10-g respectively, when the transmission band is  $\leq 100$  MHz
- (2)  $\leq 0.6$  W/kg or 1.5 W/kg, for 1-g or 10-g respectively, when the transmission band is between 100 MHz and 200 MHz
- (3)  $\leq 0.4$  W/kg or 1.0 W/kg, for 1-g or 10-g respectively, when the transmission band is  $\geq 200$  MHz

##### **<KDB 941225 D01, 3G SAR Measurement Procedures>**

The mode tested for SAR is referred to as the primary mode. The equivalent modes considered for SAR test reduction are denoted as secondary modes. Both primary and secondary modes must be in the same frequency band. When the maximum output power and tune-up tolerance specified for production units in a secondary mode is  $\leq 1/4$  dB higher than the primary mode or when the highest reported SAR of the primary mode is scaled by the ratio of specified maximum output power and tune-up tolerance of secondary to primary mode and the adjusted SAR is  $\leq 1.2$  W/kg, SAR measurement is not required for the secondary mode.

##### **<KDB 248227 D01, SAR Guidance for Wi-Fi Transmitters>**

- (1) For handsets operating next to ear, hotspot mode or mini-tablet configurations, the initial test position procedures were applied. The test position with the highest extrapolated peak SAR will be used as the initial test position. When the reported SAR of initial test position is  $\leq 0.4$  W/kg, SAR testing for remaining test positions is not required. Otherwise, SAR is evaluated at the subsequent highest peak SAR positions until the reported SAR result is  $\leq 0.8$  W/kg or all test positions are measured.
- (2) For WLAN 2.4 GHz, the highest measured maximum output power channel for DSSS was selected for SAR measurement. When the reported SAR is  $\leq 0.8$  W/kg, no further SAR testing is required. Otherwise, SAR is evaluated at the next highest measured output power channel. When any reported SAR is  $> 1.2$  W/kg, SAR is required for the third channel. For OFDM modes (802.11g/n), SAR is not required when the highest reported SAR for DSSS is adjusted by the ratio of OFDM to DSSS specified maximum output power and it is  $\leq 1.2$  W/kg.
- (3) For WLAN 5 GHz, the initial test configuration was selected according to the transmission mode with the highest maximum output power. When the reported SAR of initial test configuration is  $> 0.8$  W/kg, SAR is required for the subsequent highest measured output power channel until the reported SAR result is  $\leq 1.2$  W/kg or all required channels are measured. For other transmission modes, SAR is not required when the highest reported SAR for initial test configuration is adjusted by the ratio of subsequent test configuration to initial test configuration specified maximum output power and it is  $\leq 1.2$  W/kg.



# FCC SAR Test Report

## 4.7.2 SAR Results for Head Exposure Condition

Plot No.	Band	Mode	Test Position	Ch.	Sample	Max. Tune-up Power (dBm)	Measured Conducted Power (dBm)	Scaling Factor	Power Drift (dB)	Measured SAR-1g (W/kg)	Scaled SAR-1g (W/kg)
01	GSM850	GSM	Right Cheek	128	1	32.5	32.23	1.06	0.04	0.147	<b>0.16</b>
	GSM850	GSM	Right Tilted	128	1	32.5	32.23	1.06	0.03	0.086	0.09
	GSM850	GSM	Left Cheek	128	1	32.5	32.23	1.06	0.06	0.124	0.13
	GSM850	GSM	Left Tilted	128	1	32.5	32.23	1.06	0.08	0.082	0.09
	GSM850	GSM	Right Cheek	128	2	32.5	32.23	1.06	0.12	0.080	0.09
	GSM850	GSM	Right Cheek	128	5	32.5	32.23	1.06	-0.04	0.136	0.14
02	GSM1900	GSM	Right Cheek	661	1	29.0	28.76	1.06	-0.01	0.108	0.11
	GSM1900	GSM	Right Tilted	661	1	29.0	28.76	1.06	-0.09	0.094	0.10
	GSM1900	GSM	Left Cheek	661	1	29.0	28.76	1.06	0.07	0.185	<b>0.20</b>
	GSM1900	GSM	Left Tilted	661	1	29.0	28.76	1.06	0.04	0.068	0.07
	GSM1900	GSM	Left Cheek	661	2	29.0	28.76	1.06	-0.08	0.181	0.19
	GSM1900	GSM	Left Cheek	661	5	29.0	28.76	1.06	0.06	0.182	0.19
03	WCDMA V	RMC12.2K	Right Cheek	4132	1	23.5	23.24	1.06	-0.17	0.232	<b>0.25</b>
	WCDMA V	RMC12.2K	Right Tilted	4132	1	23.5	23.24	1.06	0.01	0.149	0.16
	WCDMA V	RMC12.2K	Left Cheek	4132	1	23.5	23.24	1.06	0.05	0.203	0.22
	WCDMA V	RMC12.2K	Left Tilted	4132	1	23.5	23.24	1.06	0.09	0.139	0.15
	WCDMA V	RMC12.2K	Right Cheek	4132	2	23.5	23.24	1.06	-0.09	0.174	0.18
	WCDMA V	RMC12.2K	Right Cheek	4132	5	23.5	23.24	1.06	-0.12	0.195	0.21

Plot No.	Band	Mode	Test Position	Ch.	Sample	Max. Tune-up Power (dBm)	Measured Conducted Power (dBm)	Scaling Factor	Power Drift (dB)	Measured SAR-1g (W/kg)	Scaled SAR-1g (W/kg)
04	2.4G WLAN	802.11b	Right Cheek	6	1	19.5	19.20	1.07	0.01	0.034	0.04
	2.4G WLAN	802.11b	Right Tilted	6	1	19.5	19.20	1.07	-0.05	0.025	0.03
	2.4G WLAN	802.11b	Left Cheek	6	1	19.5	19.20	1.07	0.05	0.037	<b>0.04</b>
	2.4G WLAN	802.11b	Left Tilted	6	1	19.5	19.20	1.07	0.08	0.033	0.04
	2.4G WLAN	802.11b	Left Cheek	6	2	19.5	19.20	1.07	0.05	0.00891	0.01
	2.4G WLAN	802.11b	Left Cheek	6	5	19.5	19.20	1.07	-0.16	0.012	0.01
05	5.2G WLAN	802.11a	Right Cheek	44	1	19.0	18.82	1.04	0.18	0.045	<b>0.05</b>
	5.2G WLAN	802.11a	Right Tilted	44	1	19.0	18.82	1.04	-0.13	0.010	0.01
	5.2G WLAN	802.11a	Left Cheek	44	1	19.0	18.82	1.04	-0.09	0.023	0.02
	5.2G WLAN	802.11a	Left Tilted	44	1	19.0	18.82	1.04	-0.10	0.00438	0.00
	5.2G WLAN	802.11a	Right Cheek	44	2	19.0	18.82	1.04	0.06	0.04	0.04
	5.2G WLAN	802.11a	Right Cheek	44	5	19.0	18.82	1.04	0.08	0.04	0.04
06	5.6G WLAN	802.11a	Right Cheek	116	1	18.0	17.80	1.05	0.10	0.093	<b>0.10</b>
	5.6G WLAN	802.11a	Right Tilted	116	1	18.0	17.80	1.05	-0.11	0.029	0.03
	5.6G WLAN	802.11a	Left Cheek	116	1	18.0	17.80	1.05	-0.18	0.019	0.02
	5.6G WLAN	802.11a	Left Tilted	116	1	18.0	17.80	1.05	-0.13	0.015	0.02
	5.6G WLAN	802.11a	Right Cheek	116	2	18.0	17.56	1.11	0.09	0.092	0.10
	5.6G WLAN	802.11a	Right Cheek	116	5	18.0	17.56	1.11	0.03	0.085	0.09
07	5.8G WLAN	802.11n HT40	Right Cheek	159	1	18.5	18.24	1.06	0.09	0.123	<b>0.13</b>
	5.8G WLAN	802.11n HT40	Right Tilted	159	1	18.5	18.24	1.06	0.02	0.037	0.04
	5.8G WLAN	802.11n HT40	Left Cheek	159	1	18.5	18.24	1.06	0.06	0.051	0.05
	5.8G WLAN	802.11n HT40	Left Tilted	159	1	18.5	18.24	1.06	-0.03	0.020	0.02
	5.8G WLAN	802.11n HT40	Right Cheek	159	2	18.5	18.24	1.06	0.02	0.034	0.04
	5.8G WLAN	802.11n HT40	Right Cheek	159	5	18.5	18.24	1.06	0.09	0.11	0.12





## FCC SAR Test Report

### 4.7.3 SAR Results for Body Exposure Condition (Separation Distance is 1.0 cm Gap)

Plot No.	Band	Mode	Test Position	Ch.	Sample	Max. Tune-up Power (dBm)	Measured Conducted Power (dBm)	Scaling Factor	Power Drift (dB)	Measured SAR-1g (W/kg)	Scaled SAR-1g (W/kg)
08	GSM850	GPRS12	Front Face	128	1	32.0	31.82	1.04	0.09	0.315	0.33
	GSM850	GPRS12	Rear Face	128	1	32.0	31.82	1.04	0.02	0.738	0.77
	GSM850	GPRS12	Rear Face	189	1	32.0	31.55	1.11	-0.08	0.671	0.74
	GSM850	GPRS12	Rear Face	251	1	32.0	31.69	1.07	-0.03	0.687	0.74
	GSM850	GPRS12	Rear Face	128	2	32.0	31.82	1.04	0.01	0.677	0.71
	GSM850	GPRS12	Rear Face	128	5	32.0	31.82	1.04	0.03	0.721	0.75
09	GSM1900	GPRS12	Front Face	661	1	28.5	28.42	1.02	0.11	0.243	0.25
	GSM1900	GPRS12	Rear Face	661	1	28.5	28.42	1.02	-0.02	0.685	0.70
	GSM1900	GPRS12	Rear Face	661	2	28.5	28.42	1.02	-0.03	0.681	0.69
	GSM1900	GPRS12	Rear Face	661	5	28.5	28.42	1.02	-0.08	0.679	0.69
10	WCDMA V	RMC12.2K	Front Face	4132	1	23.5	23.24	1.06	0.00	0.243	0.26
	WCDMA V	RMC12.2K	Rear Face	4132	1	23.5	23.24	1.06	0.04	0.360	0.38
	WCDMA V	RMC12.2K	Rear Face	4132	2	23.5	23.24	1.06	0.00	0.262	0.28
	WCDMA V	RMC12.2K	Rear Face	4132	5	23.5	23.24	1.06	-0.08	0.356	0.38

Plot No.	Band	Mode	Test Position	Ch.	Sample	Max. Tune-up Power (dBm)	Measured Conducted Power (dBm)	Scaling Factor	Power Drift (dB)	Measured SAR-1g (W/kg)	Scaled SAR-1g (W/kg)
11	2.4G WLAN	802.11b	Front Face	6	1	19.5	19.20	1.07	0	0.00233	0.00
	2.4G WLAN	802.11b	Rear Face	6	1	19.5	19.20	1.07	0.15	0.378	0.41
	2.4G WLAN	802.11b	Rear Face	6	2	19.5	19.20	1.07	0.02	0.1	0.11
	2.4G WLAN	802.11b	Rear Face	6	5	19.5	19.20	1.07	-0.1	0.09	0.10
12	5.2G WLAN	802.11a	Front Face	44	1	19.0	18.82	1.04	0.06	0.026	0.03
	5.2G WLAN	802.11a	Rear Face	44	1	19.0	18.82	1.04	0.11	0.452	0.47
	5.2G WLAN	802.11a	Rear Face	44	2	19.0	18.82	1.04	0.08	0.204	0.21
	5.2G WLAN	802.11a	Rear Face	44	5	19.0	18.82	1.04	0.13	0.207	0.22
13	5.6G WLAN	802.11a	Front Face	116	1	18.0	17.80	1.05	0.15	0.049	0.05
	5.6G WLAN	802.11a	Rear Face	116	1	18.0	17.80	1.05	0.18	0.711	0.74
	5.6G WLAN	802.11a	Rear Face	116	2	18.0	17.56	1.11	0.03	0.344	0.38
	5.6G WLAN	802.11a	Rear Face	116	5	18.0	17.56	1.11	-0.18	0.708	0.78
14	5.8G WLAN	802.11n HT40	Front Face	159	1	18.5	18.24	1.06	-0.1	0.043	0.05
	5.8G WLAN	802.11n HT40	Rear Face	159	1	18.5	18.24	1.06	0.13	0.639	0.68
	5.8G WLAN	802.11n HT40	Rear Face	159	2	18.5	18.24	1.06	0.07	0.13	0.14
	5.8G WLAN	802.11n HT40	Rear Face	159	5	18.5	18.24	1.06	0.07	0.462	0.49
15	Bluetooth	-	Front Face	39	1	3.5	3.49	1.00	-0.04	0.000859	0.00
	Bluetooth	-	Rear Face	39	1	3.5	3.49	1.00	-0.06	0.00394	0.00
	Bluetooth	-	Rear Face	39	2	3.5	3.49	1.00	0.05	0.000364	0.00
	Bluetooth	-	Rear Face	39	5	3.5	3.49	1.00	0.01	0.00281	0.00



# FCC SAR Test Report

## 4.7.4 SAR Results for Hotspot Exposure Condition (Separation Distance is 1.0 cm Gap)

Plot No.	Band	Mode	Test Position	Ch.	Sample	Max. Tune-up Power (dBm)	Measured Conducted Power (dBm)	Scaling Factor	Power Drift (dB)	Measured SAR-1g (W/kg)	Scaled SAR-1g (W/kg)
08	GSM850	GPRS12	Front Face	128	1	32.0	31.82	1.04	0.09	0.315	0.33
	GSM850	GPRS12	Rear Face	128	1	32.0	31.82	1.04	0.02	0.738	0.77
	GSM850	GPRS12	Rear Face	189	1	32.0	31.55	1.11	-0.08	0.671	0.74
	GSM850	GPRS12	Rear Face	251	1	32.0	31.69	1.07	-0.03	0.687	0.74
	GSM850	GPRS12	Left Side	128	1	32.0	31.82	1.04	-0.07	0.273	0.28
	GSM850	GPRS12	Right Side	128	1	32.0	31.82	1.04	-0.05	0.559	0.58
	GSM850	GPRS12	Bottom Side	128	1	32.0	31.82	1.04	-0.09	0.376	0.39
	GSM850	GPRS12	Rear Face	128	2	32.0	31.82	1.04	0.01	0.677	0.71
	GSM850	GPRS12	Rear Face	128	5	32.0	31.82	1.04	0.03	0.721	0.75
09	GSM1900	GPRS12	Front Face	661	1	28.5	28.42	1.02	0.11	0.243	0.25
	GSM1900	GPRS12	Rear Face	661	1	28.5	28.42	1.02	-0.02	0.685	0.70
	GSM1900	GPRS12	Left Side	661	1	28.5	28.42	1.02	-0.06	0.359	0.37
	GSM1900	GPRS12	Right Side	661	1	28.5	28.42	1.02	0.18	0.109	0.11
	GSM1900	GPRS12	Bottom Side	661	1	28.5	28.42	1.02	-0.03	0.128	0.13
	GSM1900	GPRS12	Rear Face	661	2	28.5	28.42	1.02	-0.03	0.681	0.69
10	GSM1900	GPRS12	Rear Face	661	5	28.5	28.42	1.02	-0.08	0.679	0.69
	WCDMA V	RMC12.2K	Front Face	4132	1	23.5	23.24	1.06	0.00	0.243	0.26
	WCDMA V	RMC12.2K	Rear Face	4132	1	23.5	23.24	1.06	0.04	0.360	0.38
	WCDMA V	RMC12.2K	Left Side	4132	1	23.5	23.24	1.06	0.04	0.157	0.17
	WCDMA V	RMC12.2K	Right Side	4132	1	23.5	23.24	1.06	0.04	0.303	0.32
	WCDMA V	RMC12.2K	Bottom Side	4132	1	23.5	23.24	1.06	0.05	0.224	0.24
	WCDMA V	RMC12.2K	Rear Face	4132	2	23.5	23.24	1.06	0.00	0.262	0.28
WCDMA V	RMC12.2K	Rear Face	4132	5	23.5	23.24	1.06	-0.08	0.356	0.38	

Plot No.	Band	Mode	Test Position	Ch.	Sample	Max. Tune-up Power (dBm)	Measured Conducted Power (dBm)	Scaling Factor	Power Drift (dB)	Measured SAR-1g (W/kg)	Scaled SAR-1g (W/kg)
11	2.4G WLAN	802.11b	Front Face	6	1	19.5	19.20	1.07	0.00	0.00233	0.00
	2.4G WLAN	802.11b	Rear Face	6	1	19.5	19.20	1.07	0.15	0.378	0.41
	2.4G WLAN	802.11b	Right Side	6	1	19.5	19.20	1.07	0.09	0.095	0.10
	2.4G WLAN	802.11b	Rear Face	6	2	19.5	19.20	1.07	0.02	0.1	0.11
	2.4G WLAN	802.11b	Rear Face	6	5	19.5	19.20	1.07	-0.1	0.09	0.10
12	5.2G WLAN	802.11a	Front Face	44	1	19.0	18.82	1.04	0.06	0.026	0.03
	5.2G WLAN	802.11a	Rear Face	44	1	19.0	18.82	1.04	0.11	0.452	0.47
	5.2G WLAN	802.11a	Right Side	44	1	19.0	18.82	1.04	-0.07	0.094	0.10
	5.2G WLAN	802.11a	Rear Face	44	2	19.0	18.82	1.04	0.08	0.204	0.21
	5.2G WLAN	802.11a	Rear Face	44	5	19.0	18.82	1.04	0.13	0.207	0.22
13	5.6G WLAN	802.11a	Front Face	116	1	18.0	17.80	1.05	0.15	0.049	0.05
	5.6G WLAN	802.11a	Rear Face	116	1	18.0	17.80	1.05	0.18	0.711	0.74
	5.6G WLAN	802.11a	Right Side	116	1	18.0	17.80	1.05	-0.16	0.277	0.29
	5.6G WLAN	802.11a	Rear Face	116	2	18.0	17.56	1.11	0.03	0.344	0.38
	5.6G WLAN	802.11a	Rear Face	116	5	18.0	17.56	1.11	-0.18	0.708	0.78
14	5.8G WLAN	802.11n HT40	Front Face	159	1	18.5	18.24	1.06	-0.1	0.043	0.05
	5.8G WLAN	802.11n HT40	Rear Face	159	1	18.5	18.24	1.06	0.13	0.639	0.68
	5.8G WLAN	802.11n HT40	Right Side	159	1	18.5	18.24	1.06	-0.03	0.229	0.24
	5.8G WLAN	802.11n HT40	Rear Face	159	2	18.5	18.24	1.06	0.07	0.13	0.14
	5.8G WLAN	802.11n HT40	Rear Face	159	5	18.5	18.24	1.06	0.07	0.462	0.49



## FCC SAR Test Report

---

### 4.7.5 SAR Measurement Variability

According to KDB 865664 D01, SAR measurement variability was assessed for each frequency band, which is determined by the SAR probe calibration point and tissue-equivalent medium used for the device measurements. When both head and body tissue-equivalent media are required for SAR measurements in a frequency band, the variability measurement procedures should be applied to the tissue medium with the highest measured SAR, using the highest measured SAR configuration for that tissue-equivalent medium. Alternatively, if the highest measured SAR for both head and body tissue-equivalent media are  $\leq 1.45$  W/kg and the ratio of these highest SAR values, i.e., largest divided by smallest value, is  $\leq 1.10$ , the highest SAR configuration for either head or body tissue-equivalent medium may be used to perform the repeated measurement. These additional measurements are repeated after the completion of all measurements requiring the same head or body tissue-equivalent medium in a frequency band. The test device should be returned to ambient conditions (normal room temperature) with the battery fully charged before it is re-mounted on the device holder for the repeated measurement(s) to minimize any unexpected variations in the repeated results.

Since all the measured SAR are less than 0.8 W/kg, the repeated measurement is not required.



# FCC SAR Test Report

## <SAR Summation Analysis>

Simultaneous transmission SAR test exclusion is determined for each operating configuration and exposure condition according to the reported standalone SAR of each applicable simultaneous transmitting antenna. When the sum of SAR<sub>1g</sub> of all simultaneously transmitting antennas in an operating mode and exposure condition combination is within the SAR limit (SAR<sub>1g</sub> 1.6 W/kg), the simultaneous transmission SAR is not required. When the sum of SAR<sub>1g</sub> is greater than the SAR limit (SAR<sub>1g</sub> 1.6 W/kg), SAR test exclusion is determined by the SPLSR.

No.	Conditions (SAR1 + SAR2)	Exposure Condition	Test Position	Max. SAR1	Max. SAR2	SAR Summation	SPLSR Analysis
1	GSM850 + WLAN (DTS)	Head	Right Cheek	0.16	0.04	0.20	Σ SAR < 1.6, Not required
			Right Tilted	0.09	0.03	0.12	Σ SAR < 1.6, Not required
			Left Cheek	0.13	0.04	0.17	Σ SAR < 1.6, Not required
			Left Tilted	0.09	0.04	0.13	Σ SAR < 1.6, Not required
		Body-Worn	Front Face	0.33	0.00	0.33	Σ SAR < 1.6, Not required
			Rear Face	0.77	0.41	1.18	Σ SAR < 1.6, Not required
		Hotspot	Front Face	0.33	0.00	0.33	Σ SAR < 1.6, Not required
			Rear Face	0.77	0.41	1.18	Σ SAR < 1.6, Not required
			Left Side	0.28	0.00	0.28	Σ SAR < 1.6, Not required
			Right Side	0.58	0.10	0.68	Σ SAR < 1.6, Not required
			Top Side	0.00	0.00	0.00	Σ SAR < 1.6, Not required
			Bottom Side	0.39	0.00	0.39	Σ SAR < 1.6, Not required
2	GSM850 + WLAN (NII)	Head	Right Cheek	0.16	0.13	0.29	Σ SAR < 1.6, Not required
			Right Tilted	0.09	0.04	0.13	Σ SAR < 1.6, Not required
			Left Cheek	0.13	0.05	0.18	Σ SAR < 1.6, Not required
			Left Tilted	0.09	0.02	0.11	Σ SAR < 1.6, Not required
		Body-Worn	Front Face	0.33	0.05	0.38	Σ SAR < 1.6, Not required
			Rear Face	0.77	0.74	1.51	Σ SAR < 1.6, Not required
		Hotspot	Front Face	0.33	0.05	0.38	Σ SAR < 1.6, Not required
			Rear Face	0.77	0.74	1.51	Σ SAR < 1.6, Not required
			Left Side	0.28	0.00	0.28	Σ SAR < 1.6, Not required
			Right Side	0.58	0.29	0.87	Σ SAR < 1.6, Not required
			Top Side	0.00	0.00	0.00	Σ SAR < 1.6, Not required
			Bottom Side	0.39	0.00	0.39	Σ SAR < 1.6, Not required
3	GSM850 + BT (DSS)	Body-Worn	Front Face	0.33	0.00	0.33	Σ SAR < 1.6, Not required
			Rear Face	0.77	0.00	0.77	Σ SAR < 1.6, Not required



# FCC SAR Test Report

No.	Conditions (SAR1 + SAR2)	Exposure Condition	Test Position	Max. SAR1	Max. SAR2	SAR Summation	SPLSR Analysis
4	GSM1900 + WLAN (DTS)	Head	Right Cheek	0.11	0.04	0.15	$\Sigma$ SAR < 1.6, Not required
			Right Tilted	0.10	0.03	0.13	$\Sigma$ SAR < 1.6, Not required
			Left Cheek	0.20	0.04	0.24	$\Sigma$ SAR < 1.6, Not required
			Left Tilted	0.07	0.04	0.11	$\Sigma$ SAR < 1.6, Not required
		Body-Worn	Front Face	0.25	0.00	0.25	$\Sigma$ SAR < 1.6, Not required
			Rear Face	0.70	0.41	1.11	$\Sigma$ SAR < 1.6, Not required
		Hotspot	Front Face	0.25	0.00	0.25	$\Sigma$ SAR < 1.6, Not required
			Rear Face	0.70	0.41	1.11	$\Sigma$ SAR < 1.6, Not required
			Left Side	0.37	0.00	0.37	$\Sigma$ SAR < 1.6, Not required
			Right Side	0.11	0.10	0.21	$\Sigma$ SAR < 1.6, Not required
			Top Side	0.00	0.00	0.00	$\Sigma$ SAR < 1.6, Not required
			Bottom Side	0.13	0.00	0.13	$\Sigma$ SAR < 1.6, Not required
5	GSM1900 + WLAN (NII)	Head	Right Cheek	0.11	0.13	0.24	$\Sigma$ SAR < 1.6, Not required
			Right Tilted	0.10	0.04	0.14	$\Sigma$ SAR < 1.6, Not required
			Left Cheek	0.20	0.05	0.25	$\Sigma$ SAR < 1.6, Not required
			Left Tilted	0.07	0.02	0.09	$\Sigma$ SAR < 1.6, Not required
		Body-Worn	Front Face	0.25	0.05	0.30	$\Sigma$ SAR < 1.6, Not required
			Rear Face	0.70	0.74	1.44	$\Sigma$ SAR < 1.6, Not required
		Hotspot	Front Face	0.25	0.05	0.30	$\Sigma$ SAR < 1.6, Not required
			Rear Face	0.70	0.74	1.44	$\Sigma$ SAR < 1.6, Not required
			Left Side	0.37	0.00	0.37	$\Sigma$ SAR < 1.6, Not required
			Right Side	0.11	0.29	0.40	$\Sigma$ SAR < 1.6, Not required
			Top Side	0.00	0.00	0.00	$\Sigma$ SAR < 1.6, Not required
			Bottom Side	0.13	0.00	0.13	$\Sigma$ SAR < 1.6, Not required
6	GSM1900 + BT (DSS)	Body-Worn	Front Face	0.25	0.00	0.25	$\Sigma$ SAR < 1.6, Not required
			Rear Face	0.70	0.00	0.70	$\Sigma$ SAR < 1.6, Not required



# FCC SAR Test Report

No.	Conditions (SAR1 + SAR2)	Exposure Condition	Test Position	Max. SAR1	Max. SAR2	SAR Summation	SPLSR Analysis
7	WCDMA V + WLAN (DTS)	Head	Right Cheek	0.25	0.04	0.29	$\Sigma$ SAR < 1.6, Not required
			Right Tilted	0.16	0.03	0.19	$\Sigma$ SAR < 1.6, Not required
			Left Cheek	0.22	0.04	0.26	$\Sigma$ SAR < 1.6, Not required
			Left Tilted	0.15	0.04	0.19	$\Sigma$ SAR < 1.6, Not required
		Body-Worn	Front Face	0.26	0.00	0.26	$\Sigma$ SAR < 1.6, Not required
			Rear Face	0.38	0.41	0.79	$\Sigma$ SAR < 1.6, Not required
		Hotspot	Front Face	0.26	0.00	0.26	$\Sigma$ SAR < 1.6, Not required
			Rear Face	0.38	0.41	0.79	$\Sigma$ SAR < 1.6, Not required
			Left Side	0.17	0.00	0.17	$\Sigma$ SAR < 1.6, Not required
			Right Side	0.32	0.10	0.42	$\Sigma$ SAR < 1.6, Not required
			Top Side	0.00	0.00	0.00	$\Sigma$ SAR < 1.6, Not required
			Bottom Side	0.24	0.00	0.24	$\Sigma$ SAR < 1.6, Not required
8	WCDMA V + WLAN (NII)	Head	Right Cheek	0.25	0.13	0.38	$\Sigma$ SAR < 1.6, Not required
			Right Tilted	0.16	0.04	0.20	$\Sigma$ SAR < 1.6, Not required
			Left Cheek	0.22	0.05	0.27	$\Sigma$ SAR < 1.6, Not required
			Left Tilted	0.15	0.02	0.17	$\Sigma$ SAR < 1.6, Not required
		Body-Worn	Front Face	0.26	0.05	0.31	$\Sigma$ SAR < 1.6, Not required
			Rear Face	0.38	0.74	1.12	$\Sigma$ SAR < 1.6, Not required
		Hotspot	Front Face	0.26	0.05	0.31	$\Sigma$ SAR < 1.6, Not required
			Rear Face	0.38	0.74	1.12	$\Sigma$ SAR < 1.6, Not required
			Left Side	0.17	0.00	0.17	$\Sigma$ SAR < 1.6, Not required
			Right Side	0.32	0.29	0.61	$\Sigma$ SAR < 1.6, Not required
			Top Side	0.00	0.00	0.00	$\Sigma$ SAR < 1.6, Not required
			Bottom Side	0.24	0.00	0.24	$\Sigma$ SAR < 1.6, Not required
9	WCDMA V + BT (DSS)	Body-Worn	Front Face	0.26	0.00	0.26	$\Sigma$ SAR < 1.6, Not required
			Rear Face	0.38	0.00	0.38	$\Sigma$ SAR < 1.6, Not required

Test Engineer : Eric Wu, and Terry Huang



### 5. Calibration of Test Equipment

Equipment	Manufacturer	Model	SN	Cal. Date	Cal. Interval
System Validation Dipole	SPEAG	D835V2	4d121	Aug. 28, 2014	2 Years
System Validation Dipole	SPEAG	D835V2	4d121	Aug. 24, 2015	2 Years
System Validation Dipole	SPEAG	D1900V2	5d036	Jan. 26, 2015	2 Years
System Validation Dipole	SPEAG	D2450V2	737	Aug. 21, 2014	2 Years
System Validation Dipole	SPEAG	D2450V2	737	Aug. 20, 2015	2 Years
System Validation Dipole	SPEAG	D5GHzV2	1019	Aug. 25, 2014	2 Years
System Validation Dipole	SPEAG	D5GHzV2	1019	Aug. 28, 2015	2 Years
Dosimetric E-Field Probe	SPEAG	EX3DV4	3590	Feb. 26, 2015	1 Year
Dosimetric E-Field Probe	SPEAG	EX3DV4	3650	Jul. 28, 2014	1 Year
Dosimetric E-Field Probe	SPEAG	EX3DV4	3864	Jul. 23, 2015	1 Year
Data Acquisition Electronics	SPEAG	DAE4	861	Apr. 28, 2015	1 Year
Data Acquisition Electronics	SPEAG	DAE4	1277	Jul. 22, 2014	1 Year
Wireless Communication Test Set	Agilent	E5515C	MY50266628	Dec. 05, 2013	2 Years
ENA Series Network Analyzer	Agilent	E5071C	MY46107999	Apr. 07, 2015	1 Year
EXA Spectrum Analyzer	Agilent	N9010A	MY53470455	Feb. 26, 2015	1 Year
MXG Vector Signal Generator	Agilent	N5182B	MY53050430	Oct. 30, 2014	1 Year
MXG Analog Signal Generator	Agilent	N5181A	MY50143868	Jul. 06, 2015	1 Year
Power Meter	Anritsu	ML2495A	1232001	Sep. 20, 2014	1 Year
Power Meter	Anritsu	ML2495A	1218009	Jul. 06, 2015	1 Year
Power Sensor	Anritsu	MA2411B	1207334	Sep. 20, 2014	1 Year
Power Sensor	Anritsu	MA2411B	1207252	Jul. 06, 2015	1 Year
Thermometer	YFE	YF-160A	130504579	Aug. 21, 2014	1 Year
Thermometer	YFE	YF-160A	110600361	Feb. 26, 2015	1 Year



# FCC SAR Test Report

## 6. Measurement Uncertainty

Source of Uncertainty	Tolerance (± %)	Probability Distribution	Divisor	Ci (1g)	Ci (10g)	Standard Uncertainty (± %, 1g)	Standard Uncertainty (± %, 10g)	Vi
<b>Measurement System</b>								
Probe Calibration	6.0	Normal	1	1	1	6.0	6.0	∞
Axial Isotropy	4.7	Rectangular	√3	0.707	0.707	1.9	1.9	∞
Hemispherical Isotropy	9.6	Rectangular	√3	0.707	0.707	3.9	3.9	∞
Boundary Effect	1.0	Rectangular	√3	1	1	0.6	0.6	∞
Linearity	4.7	Rectangular	√3	1	1	2.7	2.7	∞
System Detection Limits	0.25	Rectangular	√3	1	1	0.14	0.14	∞
Readout Electronics	0.3	Normal	1	1	1	0.3	0.3	∞
Response Time	0.0	Rectangular	√3	1	1	0.0	0.0	∞
Integration Time	1.7	Rectangular	√3	1	1	1.0	1.0	∞
RF Ambient Conditions - Noise	3.0	Rectangular	√3	1	1	1.7	1.7	∞
RF Ambient Conditions - Reflections	3.0	Rectangular	√3	1	1	1.7	1.7	∞
Probe Positioner Mechanical Tolerance	0.4	Rectangular	√3	1	1	0.2	0.2	∞
Probe Positioning with Respect to Phantom Shell	2.9	Rectangular	√3	1	1	1.7	1.7	∞
Extrapolation, interpolation, and integration algorithms for max. SAR evaluation	2.0	Rectangular	√3	1	1	1.2	1.2	∞
<b>Test Sample Related</b>								
Test Sample Positioning	1.5 / 0.7	Normal	1	1	1	1.5	0.7	32
Device Holder Uncertainty	4.2 / 1.8	Normal	1	1	1	4.2	1.8	32
Output Power Variation - SAR Drift Measurement	5.0	Rectangular	√3	1	1	2.9	2.9	∞
<b>Phantom and Tissue Parameters</b>								
Phantom Uncertainty (Shape and Thickness Tolerances)	7.2	Rectangular	√3	1	1	4.2	4.2	∞
Liquid Conductivity - Deviation from Target Values	5.0	Rectangular	√3	0.64	0.43	1.8	1.2	∞
Liquid Conductivity - Measurement Uncertainty	1.0	Normal	1	0.64	0.43	0.6	0.4	25
Liquid Permittivity - Deviation from Target Values	5.0	Rectangular	√3	0.60	0.49	1.7	1.4	∞
Liquid Permittivity - Measurement Uncertainty	0.5	Normal	1	0.60	0.49	0.3	0.2	25
<b>Combined Standard Uncertainty</b>						± 11.2 %	± 10.4 %	
<b>Expanded Uncertainty (K=2)</b>						± 22.4 %	± 20.8 %	

Uncertainty budget for frequency range 300 MHz to 3 GHz





# FCC SAR Test Report

Source of Uncertainty	Tolerance (± %)	Probability Distribution	Divisor	Ci (1g)	Ci (10g)	Standard Uncertainty (± %, 1g)	Standard Uncertainty (± %, 10g)	Vi
<b>Measurement System</b>								
Probe Calibration	6.55	Normal	1	1	1	6.55	6.55	∞
Axial Isotropy	4.7	Rectangular	√3	0.707	0.707	1.9	1.9	∞
Hemispherical Isotropy	9.6	Rectangular	√3	0.707	0.707	3.9	3.9	∞
Boundary Effect	2.0	Rectangular	√3	1	1	1.2	1.2	∞
Linearity	4.7	Rectangular	√3	1	1	2.7	2.7	∞
System Detection Limits	0.25	Rectangular	√3	1	1	0.14	0.14	∞
Readout Electronics	0.3	Normal	1	1	1	0.3	0.3	∞
Response Time	0.0	Rectangular	√3	1	1	0.0	0.0	∞
Integration Time	1.7	Rectangular	√3	1	1	1.0	1.0	∞
RF Ambient Conditions - Noise	3.0	Rectangular	√3	1	1	1.7	1.7	∞
RF Ambient Conditions - Reflections	3.0	Rectangular	√3	1	1	1.7	1.7	∞
Probe Positioner Mechanical Tolerance	0.4	Rectangular	√3	1	1	0.2	0.2	∞
Probe Positioning with Respect to Phantom Shell	6.7	Rectangular	√3	1	1	3.9	3.9	∞
Extrapolation, interpolation, and integration algorithms for max. SAR evaluation	4.0	Rectangular	√3	1	1	2.3	2.3	∞
<b>Test Sample Related</b>								
Test Sample Positioning	1.5 / 0.7	Normal	1	1	1	1.5	0.7	32
Device Holder Uncertainty	4.2 / 1.8	Normal	1	1	1	4.2	1.8	32
Output Power Variation - SAR Drift Measurement	5.0	Rectangular	√3	1	1	2.9	2.9	∞
<b>Phantom and Tissue Parameters</b>								
Phantom Uncertainty (Shape and Thickness Tolerances)	7.6	Rectangular	√3	1	1	4.4	4.4	∞
Liquid Conductivity - Deviation from Target Values	5.0	Rectangular	√3	0.64	0.43	1.8	1.2	∞
Liquid Conductivity - Measurement Uncertainty	1.0	Normal	1	0.64	0.43	0.6	0.4	25
Liquid Permittivity - Deviation from Target Values	5.0	Rectangular	√3	0.60	0.49	1.7	1.4	∞
Liquid Permittivity - Measurement Uncertainty	0.5	Normal	1	0.60	0.49	0.3	0.2	25
<b>Combined Standard Uncertainty</b>						± 12.3 %	± 11.5 %	
<b>Expanded Uncertainty (K=2)</b>						± 24.6 %	± 23.0 %	

Uncertainty budget for frequency range 3 GHz to 6 GHz



A D T

## FCC SAR Test Report

---

### 7. Information on the Testing Laboratories

We, Bureau Veritas Consumer Products Services (H.K.) Ltd., Taoyuan Branch, were founded in 1988 to provide our best service in EMC, Radio, Telecom and Safety consultation. Our laboratories are accredited and approved according to ISO/IEC 17025.

If you have any comments, please feel free to contact us at the following:

**Taiwan HwaYa EMC/RF/Safety/Telecom Lab:**

Add: No. 19, Hwa Ya 2nd Rd, Wen Hwa Vil., Kwei Shan Hsiang, Taoyuan Hsien 333, Taiwan, R.O.C.

Tel: 886-3-318-3232

Fax: 886-3-327-0892

**Taiwan LinKo EMC/RF Lab:**

Add: No. 47-2, 14th Ling, Chia Pau Vil., Linkou Dist., New Taipei City 244, Taiwan, R.O.C.

Tel: 886-2-2605-2180

Fax: 886-2-2605-1924

**Taiwan HsinChu EMC/RF Lab:**

Add: No. 81-1, Lu Liao Keng, 9<sup>th</sup> Ling, Wu Lung Vil., Chiung Lin Township, Hsinchu County 307, Taiwan, R.O.C.

Tel: 886-3-593-5343

Fax: 886-3-593-5342

**Email:** [service.adt@tw.bureauveritas.com](mailto:service.adt@tw.bureauveritas.com)

**Web Site:** [www.adt.com.tw](http://www.adt.com.tw)

The road map of all our labs can be found in our web site also.

---END---



## **Appendix A. SAR Plots of System Verification**

The plots for system verification with largest deviation for each SAR system combination are shown as follows.

## System Check\_H835\_151106

**DUT: Dipole 835 MHz; Type: D835V2; SN: 4d121**

Communication System: CW; Frequency: 835 MHz; Duty Cycle: 1:1

Medium: H07T10N2\_1106 Medium parameters used:  $f = 835 \text{ MHz}$ ;  $\sigma = 0.908 \text{ S/m}$ ;  $\epsilon_r = 41.361$ ;  $\rho = 1000 \text{ kg/m}^3$

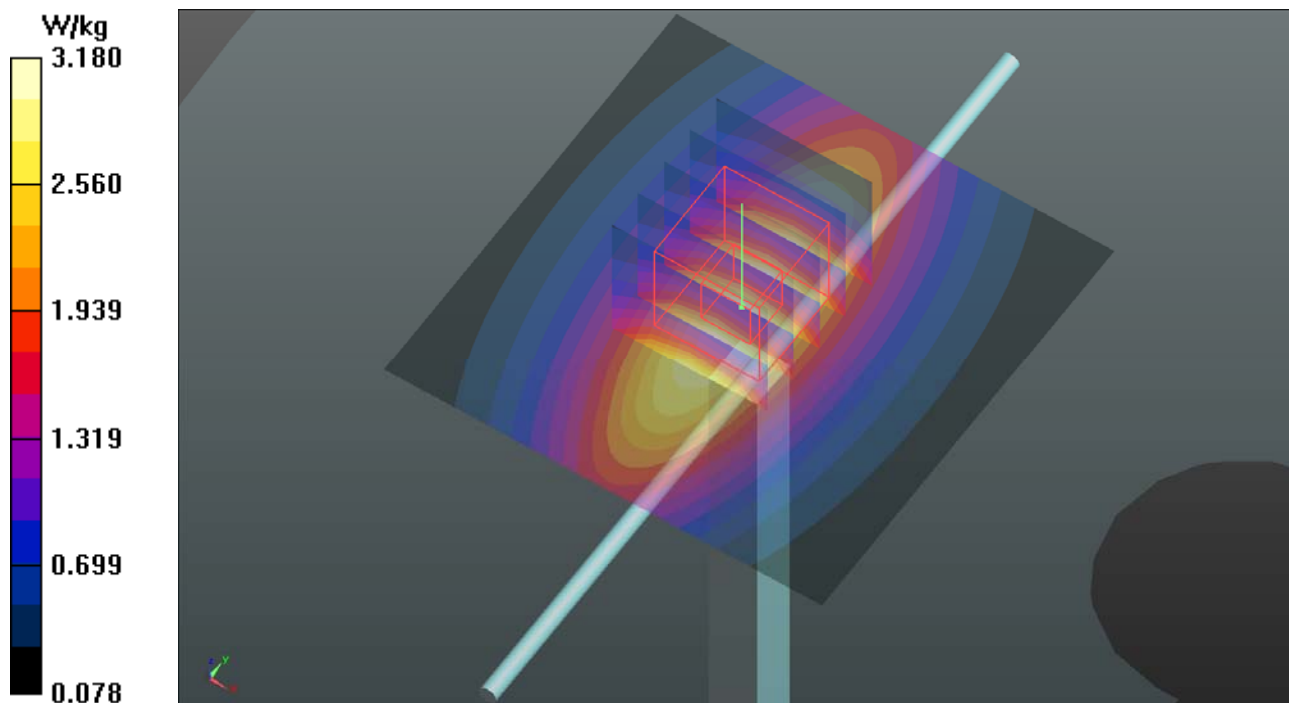
Ambient Temperature :  $23.6 \text{ }^\circ\text{C}$  ; Liquid Temperature :  $23.1 \text{ }^\circ\text{C}$

DASY5 Configuration:

- Probe: EX3DV4 - SN3864; ConvF(9.9, 9.9, 9.9); Calibrated: 2015/07/23;
- Sensor-Surface: 2mm (Mechanical Surface Detection)
- Electronics: DAE4 Sn861; Calibrated: 2015/04/28
- Phantom: Twin SAM Phantom\_1652; Type: QD000P40;
- Measurement SW: DASY52, Version 52.8 (8); SEMCAD X Version 14.6.10 (7331)

**Pin=250mW/Area Scan (61x61x1):** Interpolated grid:  $dx=1.500 \text{ mm}$ ,  $dy=1.500 \text{ mm}$   
Maximum value of SAR (interpolated) =  $3.18 \text{ W/kg}$

**Pin=250mW/Zoom Scan (5x5x7)/Cube 0:** Measurement grid:  $dx=8\text{mm}$ ,  $dy=8\text{mm}$ ,  $dz=5\text{mm}$   
Reference Value =  $55.94 \text{ V/m}$ ; Power Drift =  $-0.09 \text{ dB}$   
Peak SAR (extrapolated) =  $3.59 \text{ W/kg}$   
**SAR(1 g) =  $2.38 \text{ W/kg}$ ; SAR(10 g) =  $1.57 \text{ W/kg}$**   
Maximum value of SAR (measured) =  $3.19 \text{ W/kg}$



## System Check\_H1900\_150518

**DUT: Dipole 1900 MHz; Type: D1900V2; SN: 5d036**

Communication System: CW; Frequency: 1900 MHz; Duty Cycle: 1:1

Medium: H18T19N1\_0518 Medium parameters used:  $f = 1900$  MHz;  $\sigma = 1.353$  S/m;  $\epsilon_r = 41.065$ ;  $\rho = 1000$  kg/m<sup>3</sup>

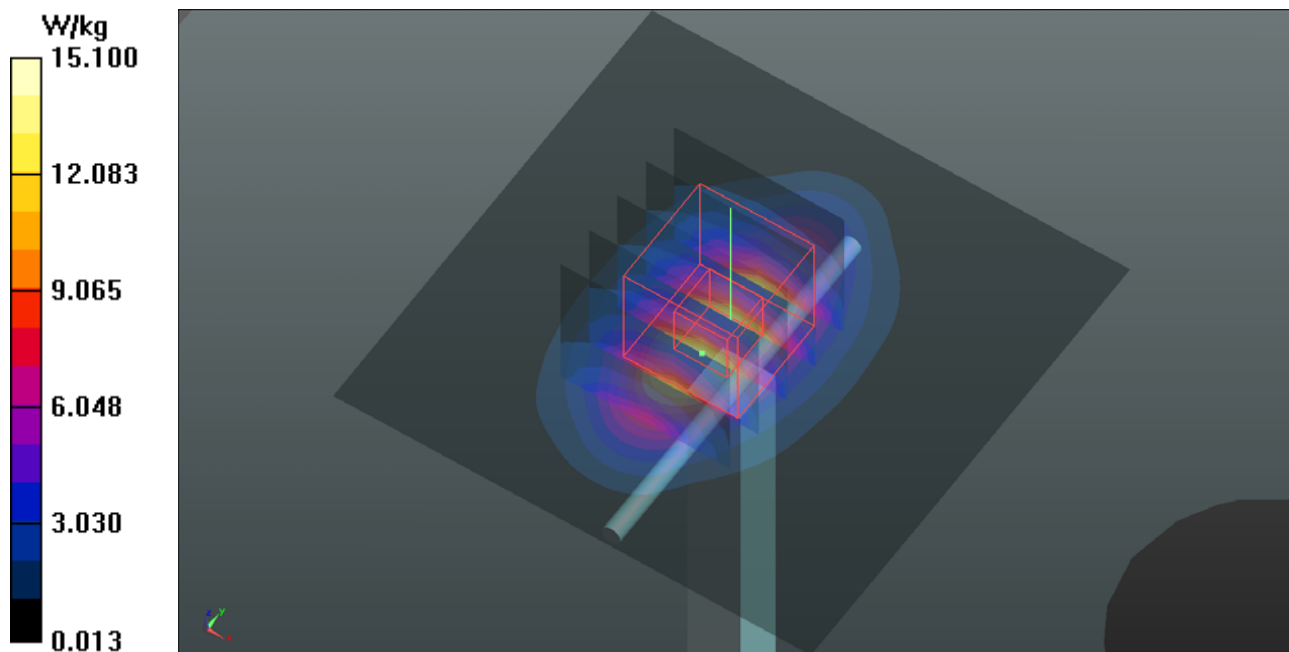
Ambient Temperature : 22.4 °C ; Liquid Temperature : 22.1 °C

DASY5 Configuration:

- Probe: EX3DV4 - SN3590; ConvF(8.65, 8.65, 8.65); Calibrated: 2015/02/26;
- Sensor-Surface: 2mm (Mechanical Surface Detection)
- Electronics: DAE4 Sn861; Calibrated: 2015/04/28
- Phantom: Twin SAM Phantom\_1202; Type: QD000P40;
- Measurement SW: DASY52, Version 52.8 (8); SEMCAD X Version 14.6.10 (7331)

**Pin=250mW/Area Scan (61x61x1):** Interpolated grid: dx=1.500 mm, dy=1.500 mm  
Maximum value of SAR (interpolated) = 15.1 W/kg

**Pin=250mW/Zoom Scan (5x5x7)/Cube 0:** Measurement grid: dx=8mm, dy=8mm, dz=5mm  
Reference Value = 103.8 V/m; Power Drift = 0.01 dB  
Peak SAR (extrapolated) = 18.6 W/kg  
**SAR(1 g) = 9.99 W/kg; SAR(10 g) = 5.17 W/kg**  
Maximum value of SAR (measured) = 14.3 W/kg



## System Check\_H2450\_151106

**DUT: Dipole 2450 MHz; Type: D2450V2; SN: 737**

Communication System: CW; Frequency: 2450 MHz; Duty Cycle: 1:1

Medium: H19T27N3\_1106 Medium parameters used:  $f = 2450$  MHz;  $\sigma = 1.88$  S/m;  $\epsilon_r = 38.682$ ;  $\rho = 1000$  kg/m<sup>3</sup>

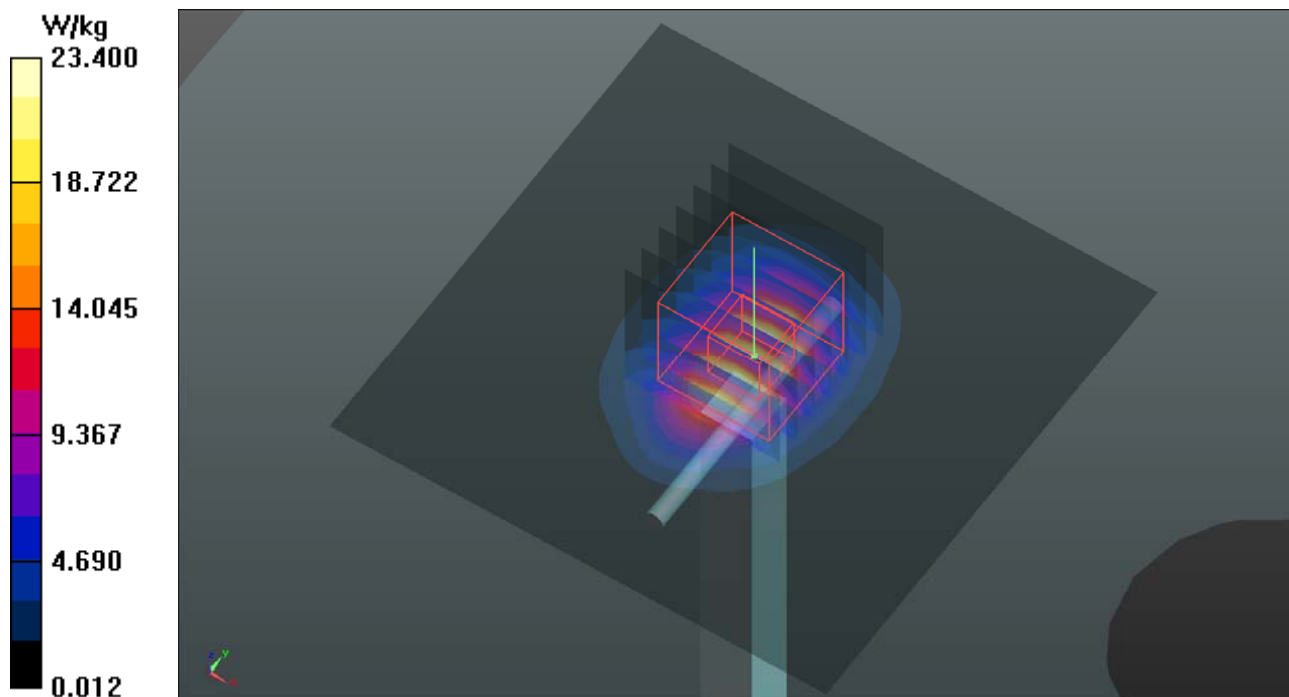
Ambient Temperature : 23.6 °C ; Liquid Temperature : 23.1 °C

DASY5 Configuration:

- Probe: EX3DV4 - SN3864; ConvF(7.35, 7.35, 7.35); Calibrated: 2015/07/23;
- Sensor-Surface: 2mm (Mechanical Surface Detection)
- Electronics: DAE4 Sn861; Calibrated: 2015/04/28
- Phantom: Twin SAM Phantom\_1652; Type: QD000P40;
- Measurement SW: DASY52, Version 52.8 (8); SEMCAD X Version 14.6.10 (7331)

**Pin=250mW/Area Scan (81x81x1):** Interpolated grid: dx=1.200 mm, dy=1.200 mm  
Maximum value of SAR (interpolated) = 23.4 W/kg

**Pin=250mW/Zoom Scan (7x7x7)/Cube 0:** Measurement grid: dx=5mm, dy=5mm, dz=5mm  
Reference Value = 107.5 V/m; Power Drift = -0.02 dB  
Peak SAR (extrapolated) = 29.1 W/kg  
**SAR(1 g) = 13.7 W/kg; SAR(10 g) = 6.23 W/kg**  
Maximum value of SAR (measured) = 23.4 W/kg



## System Check\_H5200\_150612

**DUT: Dipole 5 GHz; Type: D5GHzV2; SN: 1019**

Communication System: CW; Frequency: 5200 MHz; Duty Cycle: 1:1

Medium: H50T60N3\_0612 Medium parameters used:  $f = 5200$  MHz;  $\sigma = 4.599$  S/m;  $\epsilon_r = 36.16$ ;  $\rho = 1000$  kg/m<sup>3</sup>

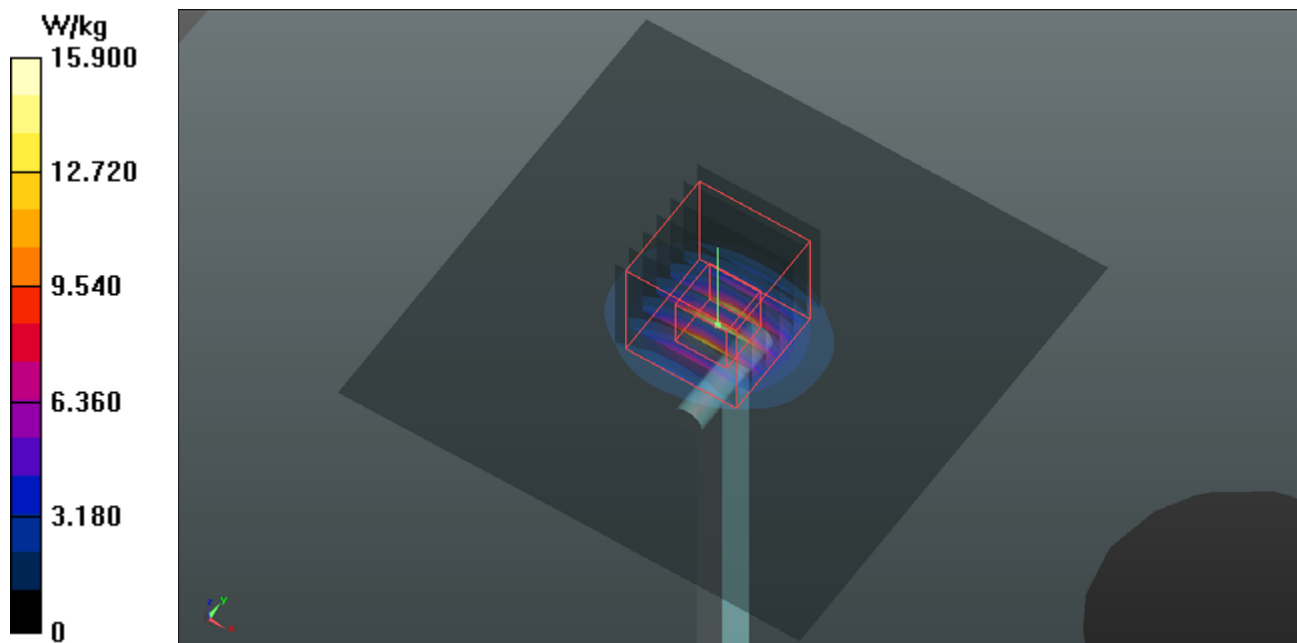
Ambient Temperature : 23.3 °C; Liquid Temperature : 22.3 °C

DASY5 Configuration:

- Probe: EX3DV4 - SN3650; ConvF(5.31, 5.31, 5.31); Calibrated: 2014/07/28;
- Sensor-Surface: 2mm (Mechanical Surface Detection)
- Electronics: DAE4 Sn1277; Calibrated: 2014/07/22
- Phantom: Twin SAM Phantom\_1822; Type: QD000P40;
- Measurement SW: DASY52, Version 52.8 (8); SEMCAD X Version 14.6.10 (7331)

**Pin=100mW/Area Scan (91x91x1):** Interpolated grid: dx=1.000 mm, dy=1.000 mm  
Maximum value of SAR (interpolated) = 15.9 W/kg

**Pin=100mW/Zoom Scan (7x7x12)/Cube 0:** Measurement grid: dx=4mm, dy=4mm, dz=2mm  
Reference Value = 62.76 V/m; Power Drift = -0.03 dB  
Peak SAR (extrapolated) = 31.5 W/kg  
**SAR(1 g) = 7.63 W/kg; SAR(10 g) = 2.17 W/kg**  
Maximum value of SAR (measured) = 16.2 W/kg



### System Check\_H5270\_151104

**DUT: Dipole 5 GHz; Type: D5GHzV2; SN: 1019**

Communication System: CW; Frequency: 5200 MHz; Duty Cycle: 1:1

Medium: H34T60N1\_1104 Medium parameters used:  $f = 5200$  MHz;  $\sigma = 4.567$  S/m;  $\epsilon_r = 36.358$ ;  $\rho = 1000$  kg/m<sup>3</sup>

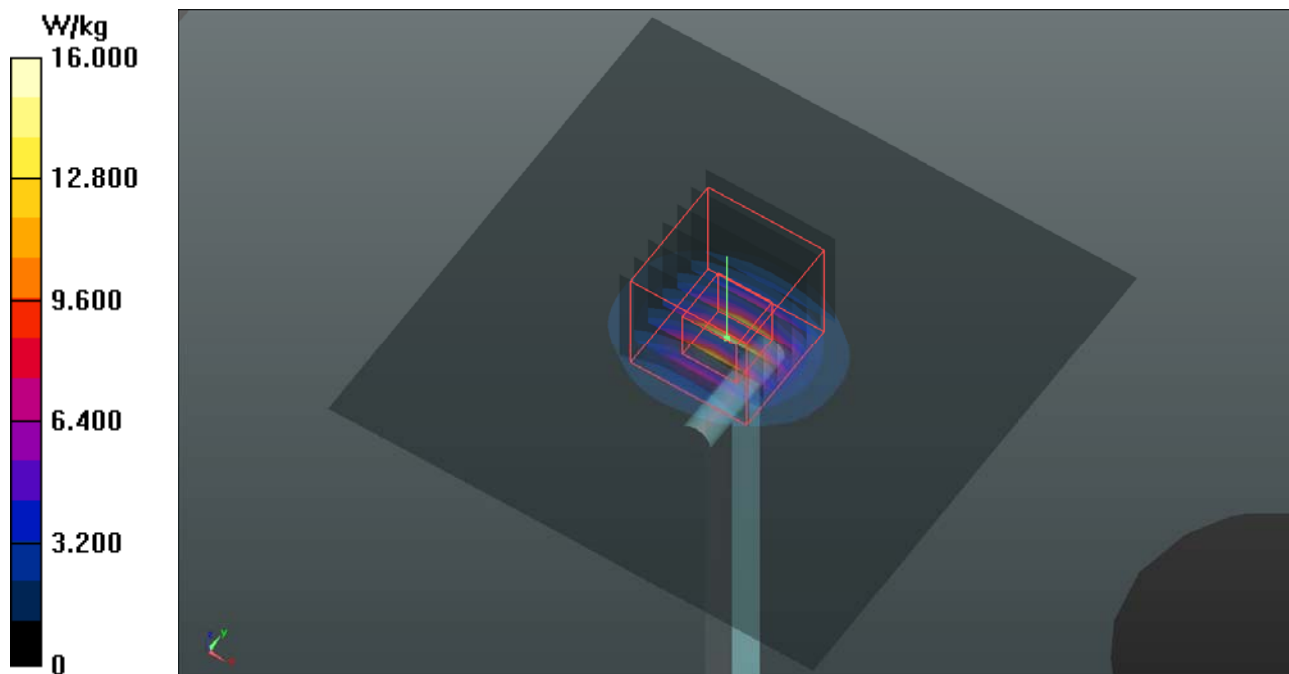
Ambient Temperature : 23.5 °C ; Liquid Temperature : 23.0 °C

DASY5 Configuration:

- Probe: EX3DV4 - SN3864; ConvF(5.61, 5.61, 5.61); Calibrated: 2015/07/23;
- Sensor-Surface: 2mm (Mechanical Surface Detection)
- Electronics: DAE4 Sn861; Calibrated: 2015/04/28
- Phantom: Twin SAM Phantom\_1652; Type: QD000P40;
- Measurement SW: DASY52, Version 52.8 (8); SEMCAD X Version 14.6.10 (7331)

**Pin=100mW/Area Scan (91x91x1):** Interpolated grid: dx=1.000 mm, dy=1.000 mm  
Maximum value of SAR (interpolated) = 16.0 W/kg

**Pin=100mW/Zoom Scan (7x7x12)/Cube 0:** Measurement grid: dx=4mm, dy=4mm, dz=2mm  
Reference Value = 62.92 V/m; Power Drift = -0.03 dB  
Peak SAR (extrapolated) = 31.6 W/kg  
**SAR(1 g) = 7.68 W/kg; SAR(10 g) = 2.19 W/kg**  
Maximum value of SAR (measured) = 16.3 W/kg





## System Check\_H5600\_150612

**DUT: Dipole 5 GHz; Type: D5GHzV2; SN: 1019**

Communication System: CW; Frequency: 5600 MHz; Duty Cycle: 1:1

Medium: H50T60N3\_0612 Medium parameters used:  $f = 5600$  MHz;  $\sigma = 4.885$  S/m;  $\epsilon_r = 35.648$ ;  $\rho = 1000$  kg/m<sup>3</sup>

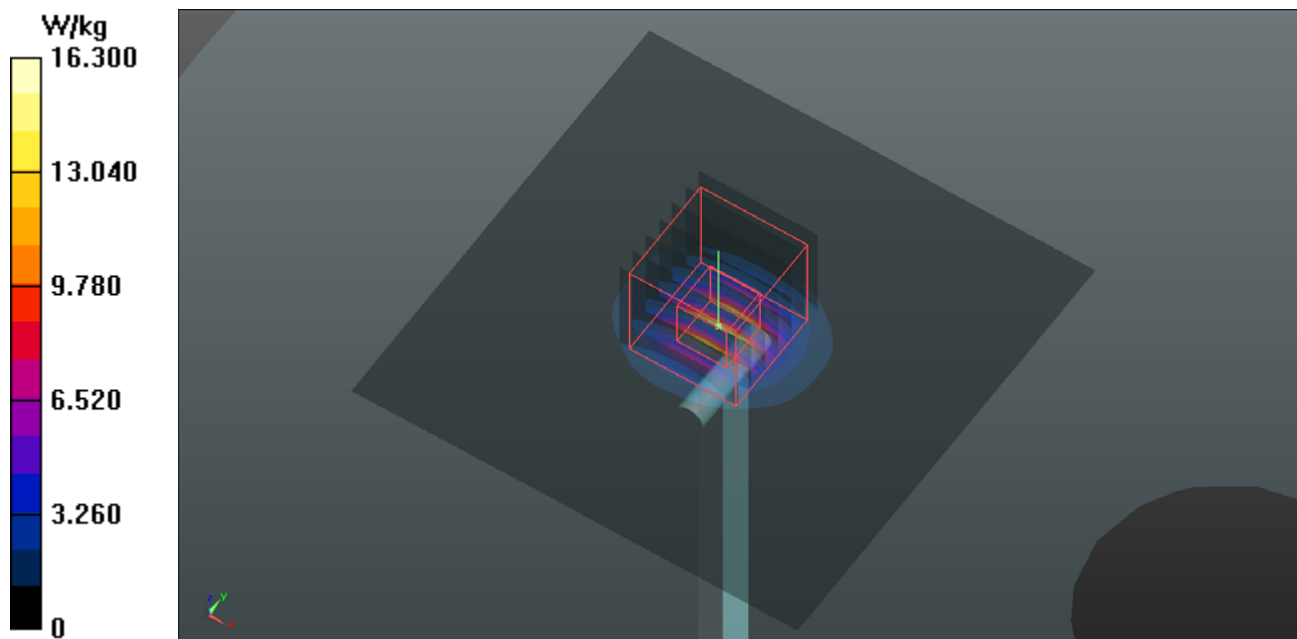
Ambient Temperature : 23.5 °C; Liquid Temperature : 22.5 °C

DASY5 Configuration:

- Probe: EX3DV4 - SN3650; ConvF(4.77, 4.77, 4.77); Calibrated: 2014/07/28;
- Sensor-Surface: 2mm (Mechanical Surface Detection)
- Electronics: DAE4 Sn1277; Calibrated: 2014/07/22
- Phantom: Twin SAM Phantom\_1822; Type: QD000P40;
- Measurement SW: DASY52, Version 52.8 (8); SEMCAD X Version 14.6.10 (7331)

**Pin=100mW/Area Scan (91x91x1):** Interpolated grid: dx=1.000 mm, dy=1.000 mm  
Maximum value of SAR (interpolated) = 16.3 W/kg

**Pin=100mW/Zoom Scan (7x7x12)/Cube 0:** Measurement grid: dx=4mm, dy=4mm, dz=2mm  
Reference Value = 62.35 V/m; Power Drift = -0.05 dB  
Peak SAR (extrapolated) = 34.2 W/kg  
**SAR(1 g) = 7.73 W/kg; SAR(10 g) = 2.18 W/kg**  
Maximum value of SAR (measured) = 16.8 W/kg



## System Check\_H5800\_151104

**DUT: Dipole 5 GHz; Type: D5GHzV2; SN: 1019**

Communication System: CW; Frequency: 5800 MHz; Duty Cycle: 1:1

Medium: H34T60N1\_1104 Medium parameters used:  $f = 5800$  MHz;  $\sigma = 5.105$  S/m;  $\epsilon_r = 35.566$ ;  $\rho = 1000$  kg/m<sup>3</sup>

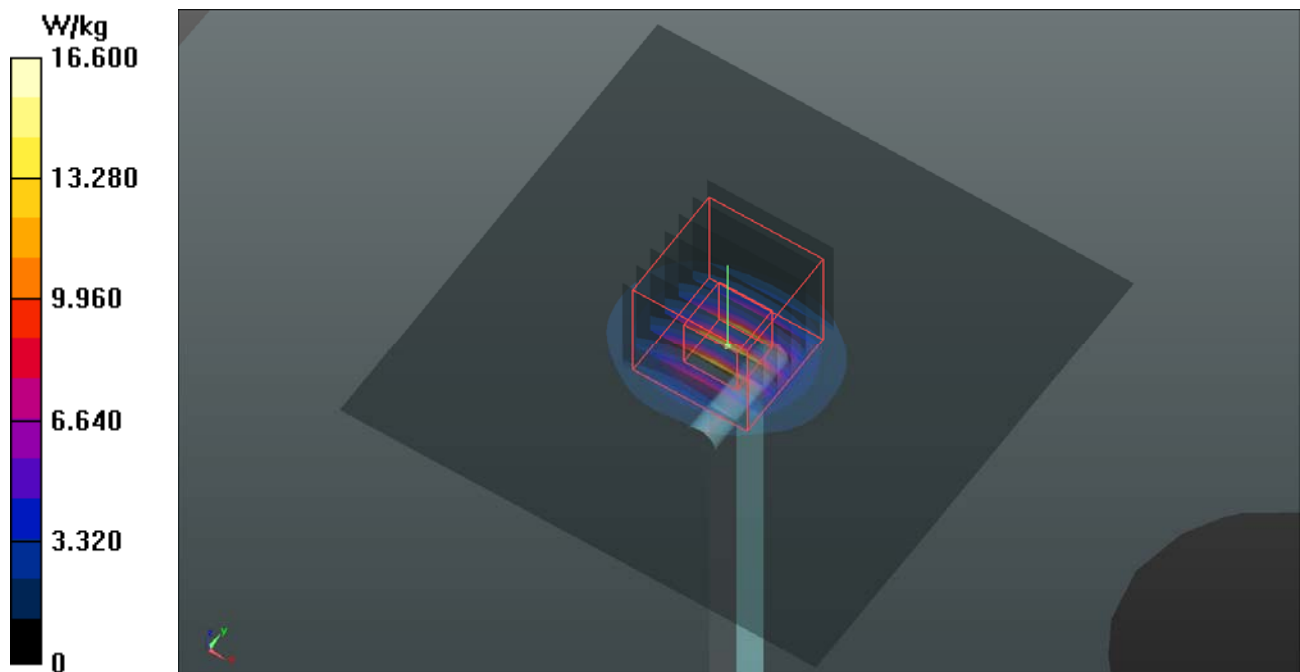
Ambient Temperature : 23.5 °C ; Liquid Temperature : 23.0 °C

DASY5 Configuration:

- Probe: EX3DV4 - SN3864; ConvF(4.91, 4.91, 4.91); Calibrated: 2015/07/23;
- Sensor-Surface: 2mm (Mechanical Surface Detection)
- Electronics: DAE4 Sn861; Calibrated: 2015/04/28
- Phantom: Twin SAM Phantom\_1652; Type: QD000P40;
- Measurement SW: DASY52, Version 52.8 (8); SEMCAD X Version 14.6.10 (7331)

**Pin=100mW/Area Scan (91x91x1):** Interpolated grid: dx=1.000 mm, dy=1.000 mm  
Maximum value of SAR (interpolated) = 16.6 W/kg

**Pin=100mW/Zoom Scan (7x7x12)/Cube 0:** Measurement grid: dx=4mm, dy=4mm, dz=2mm  
Reference Value = 59.74 V/m; Power Drift = 0.07 dB  
Peak SAR (extrapolated) = 34.2 W/kg  
**SAR(1 g) = 7.64 W/kg; SAR(10 g) = 2.17 W/kg**  
Maximum value of SAR (measured) = 16.5 W/kg



### System Check\_B835\_151104

**DUT: Dipole 835 MHz; Type: D835V2; SN: 4d121**

Communication System: CW; Frequency: 835 MHz; Duty Cycle: 1:1

Medium: B07T10N2\_1104 Medium parameters used:  $f = 835 \text{ MHz}$ ;  $\sigma = 0.986 \text{ S/m}$ ;  $\epsilon_r = 56.487$ ;  $\rho = 1000 \text{ kg/m}^3$

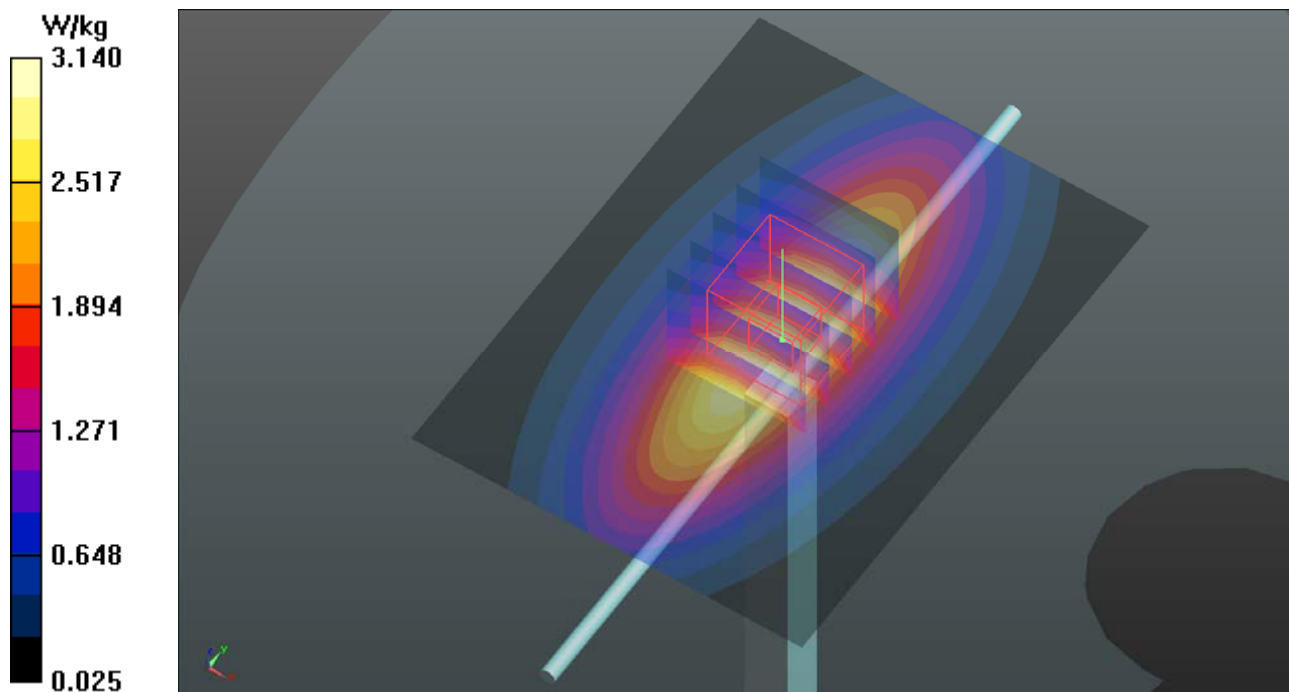
Ambient Temperature : 23.5 °C ; Liquid Temperature : 22.9 °C

DASY5 Configuration:

- Probe: EX3DV4 - SN3864; ConvF(9.83, 9.83, 9.83); Calibrated: 2015/07/23;
- Sensor-Surface: 2mm (Mechanical Surface Detection)
- Electronics: DAE4 Sn861; Calibrated: 2015/04/28
- Phantom: Twin SAM Phantom\_1652; Type: QD000P40;
- Measurement SW: DASY52, Version 52.8 (8); SEMCAD X Version 14.6.10 (7331)

**Pin=250mW/Area Scan (61x81x1):** Interpolated grid:  $dx=1.500 \text{ mm}$ ,  $dy=1.500 \text{ mm}$   
Maximum value of SAR (interpolated) = 3.14 W/kg

**Pin=250mW/Zoom Scan (5x5x7)/Cube 0:** Measurement grid:  $dx=8\text{mm}$ ,  $dy=8\text{mm}$ ,  $dz=5\text{mm}$   
Reference Value = 57.28 V/m; Power Drift = -0.05 dB  
Peak SAR (extrapolated) = 3.70 W/kg  
**SAR(1 g) = 2.48 W/kg; SAR(10 g) = 1.64 W/kg**  
Maximum value of SAR (measured) = 3.14 W/kg



### System Check\_B1900\_151104

**DUT: Dipole 1900 MHz; Type: D1900V2; SN: 5d036**

Communication System: CW; Frequency: 1900 MHz; Duty Cycle: 1:1

Medium: B16T20N2\_1104 Medium parameters used:  $f = 1900$  MHz;  $\sigma = 1.576$  S/m;  $\epsilon_r = 51.477$ ;  $\rho = 1000$  kg/m<sup>3</sup>

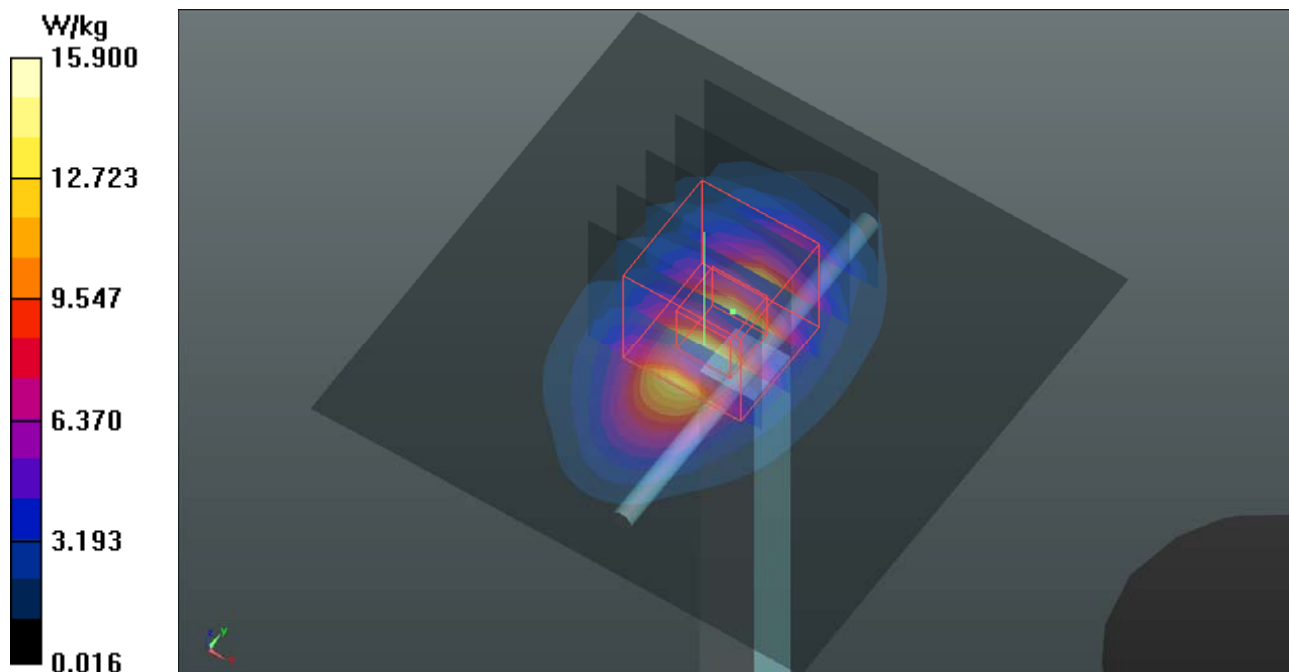
Ambient Temperature : 23.5 °C ; Liquid Temperature : 23.0 °C

DASY5 Configuration:

- Probe: EX3DV4 - SN3864; ConvF(7.88, 7.88, 7.88); Calibrated: 2015/07/23;
- Sensor-Surface: 2mm (Mechanical Surface Detection)
- Electronics: DAE4 Sn861; Calibrated: 2015/04/28
- Phantom: Twin SAM Phantom\_1653; Type: QD000P40;
- Measurement SW: DASY52, Version 52.8 (8); SEMCAD X Version 14.6.10 (7331)

**Pin=250mW/Area Scan (61x61x1):** Interpolated grid: dx=1.500 mm, dy=1.500 mm  
Maximum value of SAR (interpolated) = 15.9 W/kg

**Pin=250mW/Zoom Scan (5x5x7)/Cube 0:** Measurement grid: dx=8mm, dy=8mm, dz=5mm  
Reference Value = 98.73 V/m; Power Drift = 0.04 dB  
Peak SAR (extrapolated) = 19.2 W/kg  
**SAR(1 g) = 10.6 W/kg; SAR(10 g) = 5.48 W/kg**  
Maximum value of SAR (measured) = 14.9 W/kg



### System Check\_B2450\_150701

**DUT: Dipole 2450 MHz; Type: D2450V2; SN: 737**

Communication System: CW; Frequency: 2450 MHz; Duty Cycle: 1:1

Medium: B24T25N1\_150701 Medium parameters used:  $f = 2450$  MHz;  $\sigma = 2.019$  S/m;  $\epsilon_r = 50.916$ ;  $\rho = 1000$  kg/m<sup>3</sup>

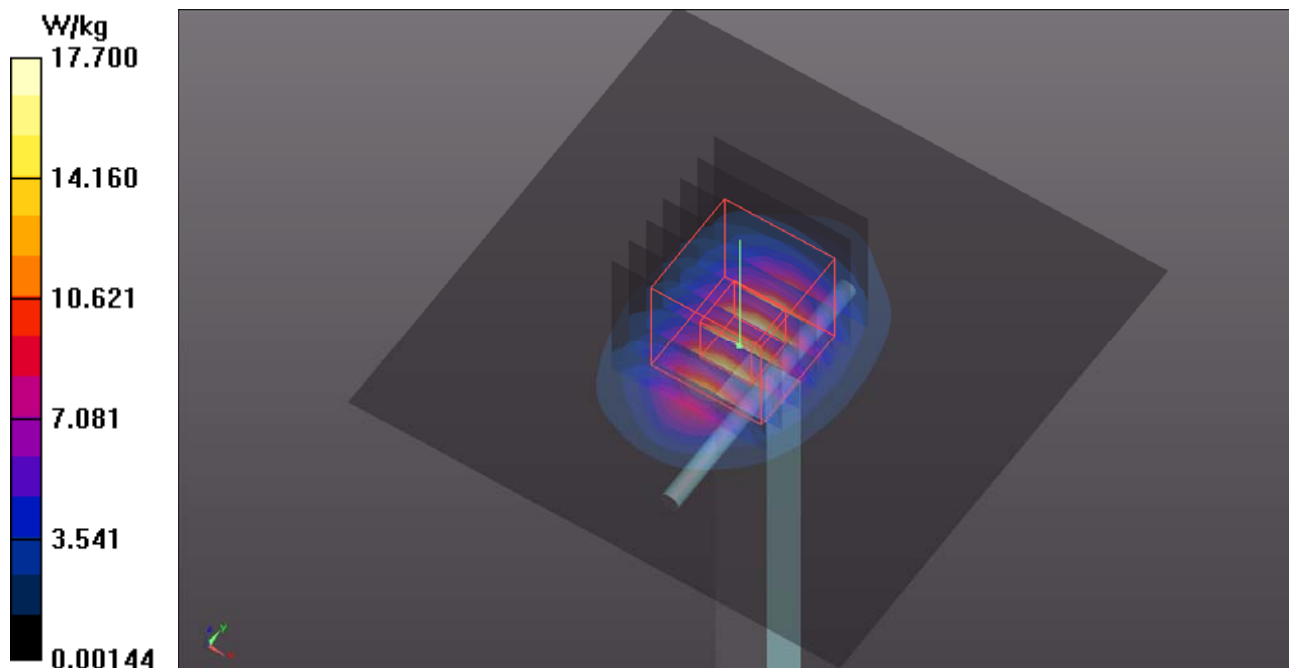
Ambient Temperature : 23.6 °C ; Liquid Temperature : 22.8 °C

DASY5 Configuration:

- Probe: EX3DV4 - SN3650; ConvF(6.81, 6.81, 6.81); Calibrated: 2014/07/28;
- Sensor-Surface: 2mm (Mechanical Surface Detection)
- Electronics: DAE4 Sn1277; Calibrated: 2014/07/22
- Phantom: ELI Phantom\_1204; Type: QDOVA;
- Measurement SW: DASY52, Version 52.8 (8); SEMCAD X Version 14.6.10 (7331)

**Pin=250mW/Area Scan (81x81x1):** Interpolated grid: dx=1.200 mm, dy=1.200 mm  
Maximum value of SAR (interpolated) = 17.7 W/kg

**Pin=250mW/Zoom Scan (7x7x7)/Cube 0:** Measurement grid: dx=5mm, dy=5mm, dz=5mm  
Reference Value = 92.68 V/m; Power Drift = 0.02 dB  
Peak SAR (extrapolated) = 23.8 W/kg  
**SAR(1 g) = 11.4 W/kg; SAR(10 g) = 5.26 W/kg**  
Maximum value of SAR (measured) = 17.5 W/kg



## System Check\_B5200\_150623

**DUT: Dipole 5 GHz; Type: D5GHzV2; SN: 1019**

Communication System: CW; Frequency: 5200 MHz; Duty Cycle: 1:1

Medium: B50T60N3\_0623 Medium parameters used:  $f = 5200$  MHz;  $\sigma = 5.182$  S/m;  $\epsilon_r = 51.045$ ;  $\rho = 1000$  kg/m<sup>3</sup>

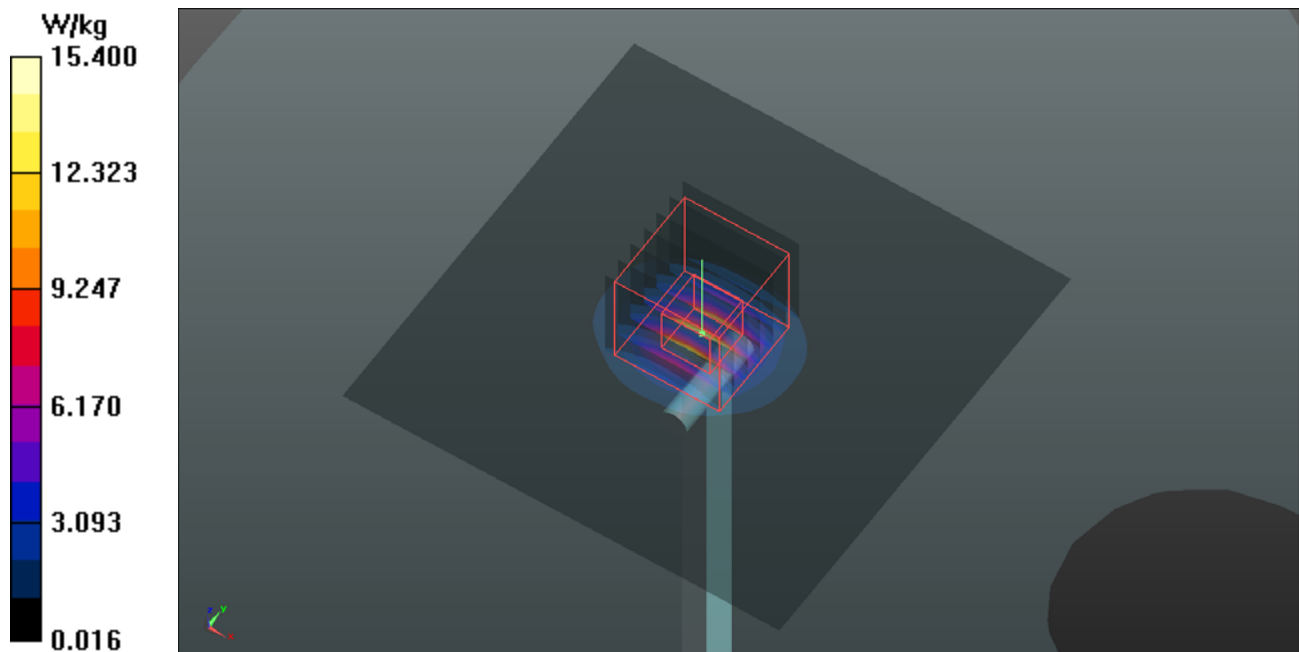
Ambient Temperature : 22.6 °C; Liquid Temperature : 21.7 °C

DASY5 Configuration:

- Probe: EX3DV4 - SN3650; ConvF(4.87, 4.87, 4.87); Calibrated: 2014/07/28;
- Sensor-Surface: 2mm (Mechanical Surface Detection)
- Electronics: DAE4 Sn1277; Calibrated: 2014/07/22
- Phantom: Twin SAM Phantom\_1485; Type: QD000P40;
- Measurement SW: DASY52, Version 52.8 (8); SEMCAD X Version 14.6.10 (7331)

**Pin=100mW/Area Scan (91x91x1):** Interpolated grid: dx=1.000 mm, dy=1.000 mm  
Maximum value of SAR (interpolated) = 15.4 W/kg

**Pin=100mW/Zoom Scan (7x7x12)/Cube 0:** Measurement grid: dx=4mm, dy=4mm, dz=2mm  
Reference Value = 58.69 V/m; Power Drift = -0.07 dB  
Peak SAR (extrapolated) = 27.9 W/kg  
**SAR(1 g) = 7.23 W/kg; SAR(10 g) = 2.06 W/kg**  
Maximum value of SAR (measured) = 14.8 W/kg



### System Check\_B5250\_151107

**DUT: Dipole 5 GHz; Type: D5GHzV2; SN: 1019**

Communication System: CW; Frequency: 5200 MHz; Duty Cycle: 1:1

Medium: B34T60N1\_1107 Medium parameters used:  $f = 5200$  MHz;  $\sigma = 5.327$  S/m;  $\epsilon_r = 47.281$ ;  $\rho = 1000$  kg/m<sup>3</sup>

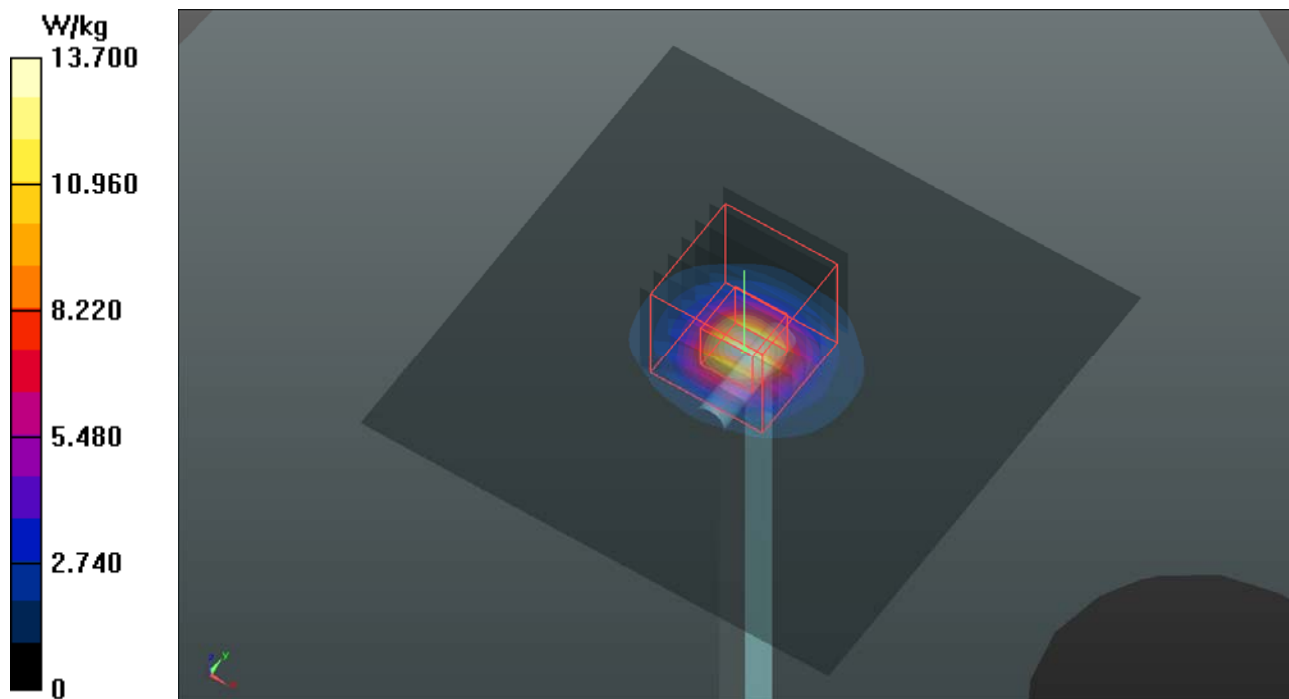
Ambient Temperature : 23.6 °C ; Liquid Temperature : 23.2 °C

DASY5 Configuration:

- Probe: EX3DV4 - SN3864; ConvF(4.75, 4.75, 4.75); Calibrated: 2015/07/23;
- Sensor-Surface: 2mm (Mechanical Surface Detection)
- Electronics: DAE4 Sn861; Calibrated: 2015/04/28
- Phantom: Twin SAM Phantom\_1653; Type: QD000P40;
- Measurement SW: DASY52, Version 52.8 (8); SEMCAD X Version 14.6.10 (7331)

**Pin=100mW/Area Scan (91x91x1):** Interpolated grid: dx=1.000 mm, dy=1.000 mm  
Maximum value of SAR (interpolated) = 13.7 W/kg

**Pin=100mW/Zoom Scan (7x7x12)/Cube 0:** Measurement grid: dx=4mm, dy=4mm, dz=2mm  
Reference Value = 56.44 V/m; Power Drift = 0.01 dB  
Peak SAR (extrapolated) = 27.2 W/kg  
**SAR(1 g) = 7.16 W/kg; SAR(10 g) = 2.03 W/kg**  
Maximum value of SAR (measured) = 14.8 W/kg



## System Check\_B5600\_151107

**DUT: Dipole 5 GHz; Type: D5GHzV2; SN: 1019**

Communication System: CW; Frequency: 5600 MHz; Duty Cycle: 1:1

Medium: B34T60N1\_1107 Medium parameters used:  $f = 5600$  MHz;  $\sigma = 5.898$  S/m;  $\epsilon_r = 46.563$ ;  $\rho = 1000$  kg/m<sup>3</sup>

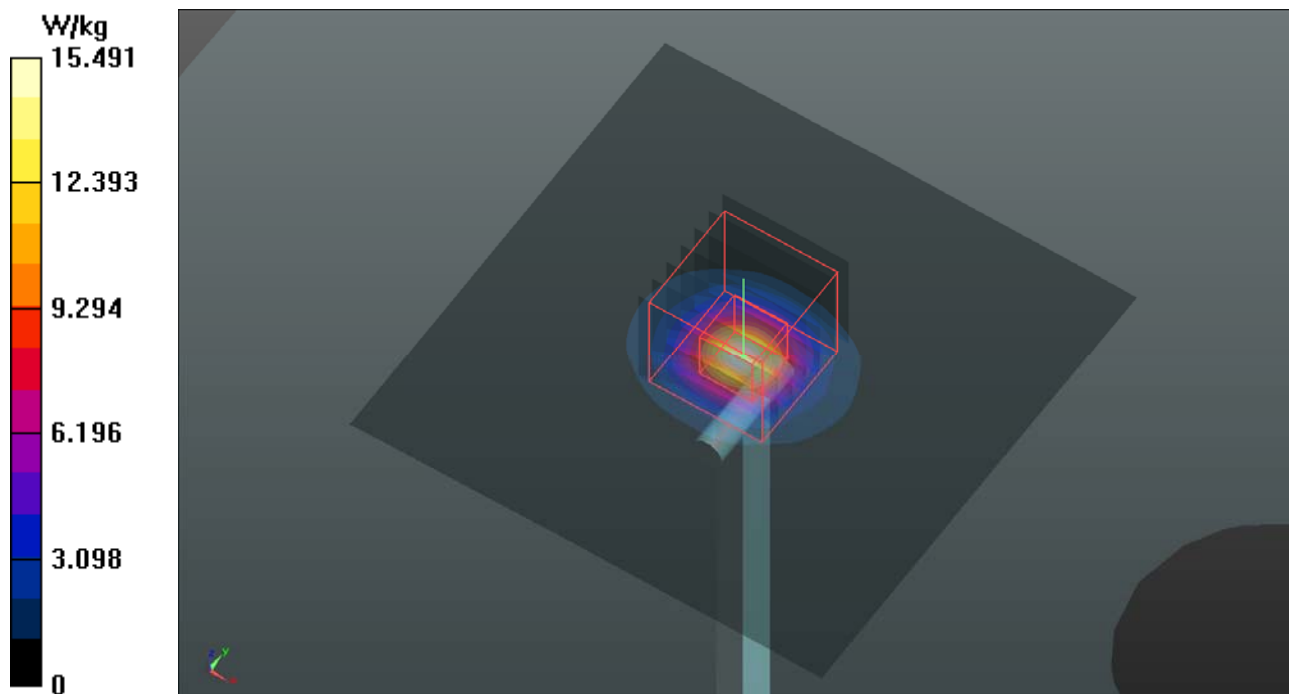
Ambient Temperature : 23.6 °C ; Liquid Temperature : 23.2 °C

DASY5 Configuration:

- Probe: EX3DV4 - SN3864; ConvF(3.93, 3.93, 3.93); Calibrated: 2015/07/23;
- Sensor-Surface: 2mm (Mechanical Surface Detection)
- Electronics: DAE4 Sn861; Calibrated: 2015/04/28
- Phantom: Twin SAM Phantom\_1653; Type: QD000P40;
- Measurement SW: DASY52, Version 52.8 (8); SEMCAD X Version 14.6.10 (7331)

**Pin=100mW/Area Scan (91x91x1):** Interpolated grid: dx=1.000 mm, dy=1.000 mm  
Maximum value of SAR (interpolated) = 15.5 W/kg

**Pin=100mW/Zoom Scan (7x7x12)/Cube 0:** Measurement grid: dx=4mm, dy=4mm, dz=2mm  
Reference Value = 56.22 V/m; Power Drift = 0.09 dB  
Peak SAR (extrapolated) = 33.6 W/kg  
**SAR(1 g) = 7.56 W/kg; SAR(10 g) = 2.09 W/kg**  
Maximum value of SAR (measured) = 16.3 W/kg





### System Check\_B5800\_151105

**DUT: Dipole 5 GHz; Type: D5GHzV2; SN: 1019**

Communication System: CW; Frequency: 5800 MHz; Duty Cycle: 1:1

Medium: B34T60N1\_1105 Medium parameters used:  $f = 5800$  MHz;  $\sigma = 5.952$  S/m;  $\epsilon_r = 47.421$ ;  $\rho = 1000$  kg/m<sup>3</sup>

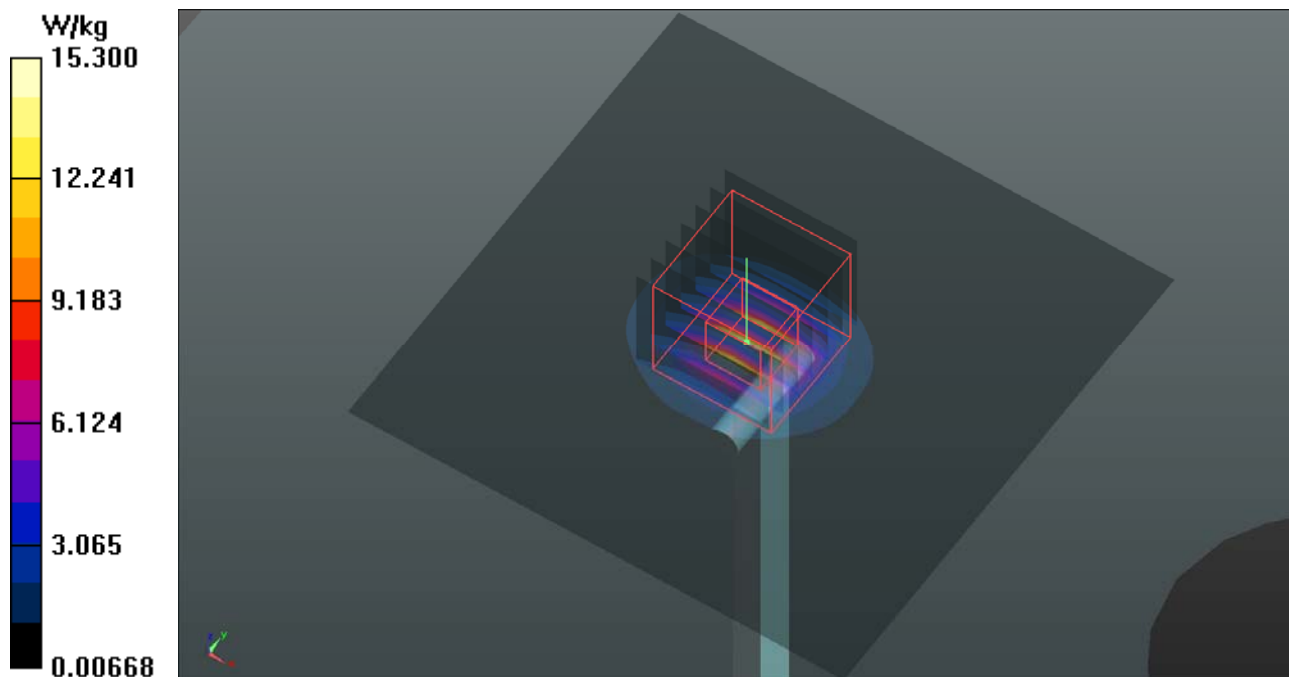
Ambient Temperature : 23.7 °C ; Liquid Temperature : 23.2 °C

DASY5 Configuration:

- Probe: EX3DV4 - SN3864; ConvF(4.2, 4.2, 4.2); Calibrated: 2015/07/23;
- Sensor-Surface: 2mm (Mechanical Surface Detection)
- Electronics: DAE4 Sn861; Calibrated: 2015/04/28
- Phantom: Twin SAM Phantom\_1652; Type: QD000P40;
- Measurement SW: DASY52, Version 52.8 (8); SEMCAD X Version 14.6.10 (7331)

**Pin=100mW/Area Scan (91x91x1):** Interpolated grid: dx=1.000 mm, dy=1.000 mm  
Maximum value of SAR (interpolated) = 15.3 W/kg

**Pin=100mW/Zoom Scan (7x7x12)/Cube 0:** Measurement grid: dx=4mm, dy=4mm, dz=2mm  
Reference Value = 56.33 V/m; Power Drift = 0.06 dB  
Peak SAR (extrapolated) = 29.3 W/kg  
**SAR(1 g) = 7.22 W/kg; SAR(10 g) = 2.06 W/kg**  
Maximum value of SAR (measured) = 15.2 W/kg





## **Appendix B. SAR Plots of SAR Measurement**

The SAR plots for highest measured SAR in each exposure configuration, wireless mode and frequency band combination, and measured SAR > 1.5 W/kg are shown as follows.

## P01 GSM850\_GSM\_Right Cheek\_Ch128

**DUT: 150327C14**

Communication System: GSM850; Frequency: 824.2 MHz; Duty Cycle: 1:8.3

Medium: H08T09N1\_0518 Medium parameters used:  $f = 824.2$  MHz;  $\sigma = 0.872$  S/m;  $\epsilon_r = 43.56$ ;  $\rho = 1000$  kg/m<sup>3</sup>

Ambient Temperature : 22.4 °C ; Liquid Temperature : 22.1 °C

DASY5 Configuration:

- Probe: EX3DV4 - SN3590; ConvF(10.17, 10.17, 10.17); Calibrated: 2015/02/26;
- Sensor-Surface: 2mm (Mechanical Surface Detection)
- Electronics: DAE4 Sn861; Calibrated: 2015/04/28
- Phantom: Twin SAM Phantom\_1654; Type: QD000P40;
- Measurement SW: DASY52, Version 52.8 (8); SEMCAD X Version 14.6.10 (7331)

- **Area Scan (71x121x1):** Interpolated grid: dx=1.500 mm, dy=1.500 mm

Maximum value of SAR (interpolated) = 0.162 W/kg

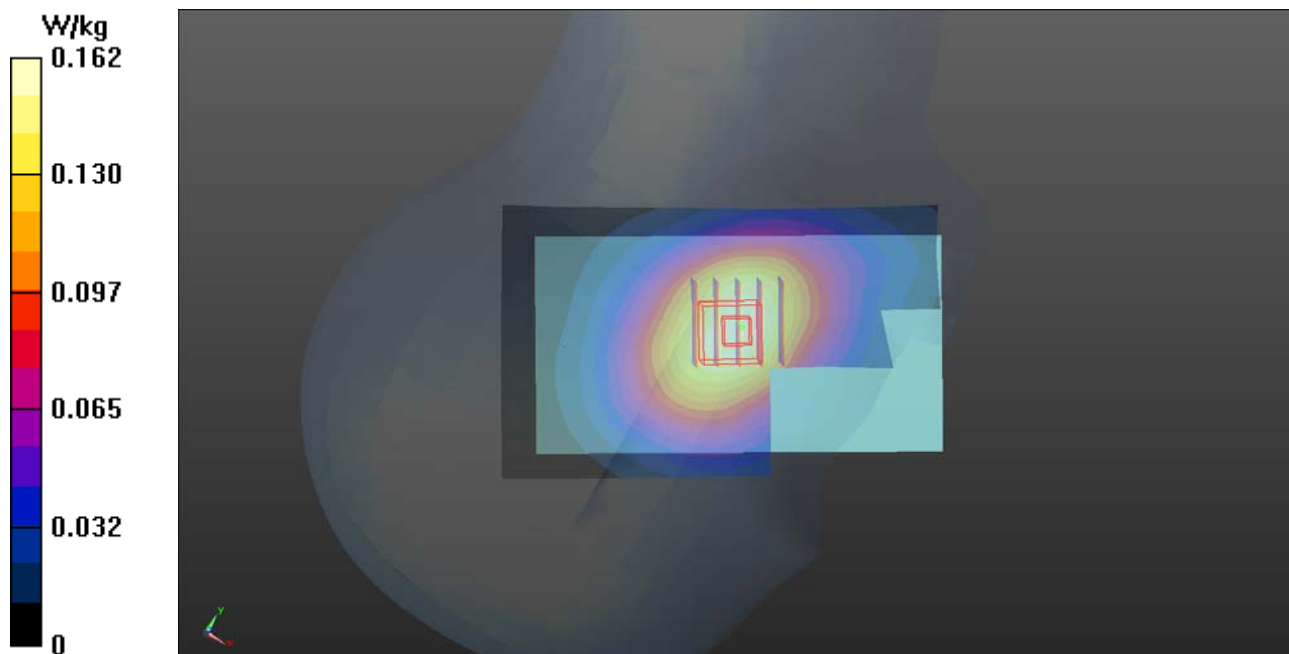
- **Zoom Scan (5x5x7)/Cube 0:** Measurement grid: dx=8mm, dy=8mm, dz=5mm

Reference Value = 4.346 V/m; Power Drift = 0.04 dB

Peak SAR (extrapolated) = 0.174 W/kg

**SAR(1 g) = 0.147 W/kg; SAR(10 g) = 0.116 W/kg**

Maximum value of SAR (measured) = 0.164 W/kg



## P02 GSM1900\_GSM\_Left Cheek\_Ch661

**DUT: 150327C14**

Communication System: GSM1900; Frequency: 1880 MHz; Duty Cycle: 1:8.3

Medium: H18T19N1\_0518 Medium parameters used:  $f = 1880$  MHz;  $\sigma = 1.336$  S/m;  $\epsilon_r = 41.082$ ;  $\rho = 1000$  kg/m<sup>3</sup>

Ambient Temperature : 22.4 °C ; Liquid Temperature : 22.1 °C

DASY5 Configuration:

- Probe: EX3DV4 - SN3590; ConvF(8.65, 8.65, 8.65); Calibrated: 2015/02/26;
- Sensor-Surface: 2mm (Mechanical Surface Detection)
- Electronics: DAE4 Sn861; Calibrated: 2015/04/28
- Phantom: Twin SAM Phantom\_1202; Type: QD000P40;
- Measurement SW: DASY52, Version 52.8 (8); SEMCAD X Version 14.6.10 (7331)

- **Area Scan (71x121x1):** Interpolated grid: dx=1.500 mm, dy=1.500 mm

Maximum value of SAR (interpolated) = 0.238 W/kg

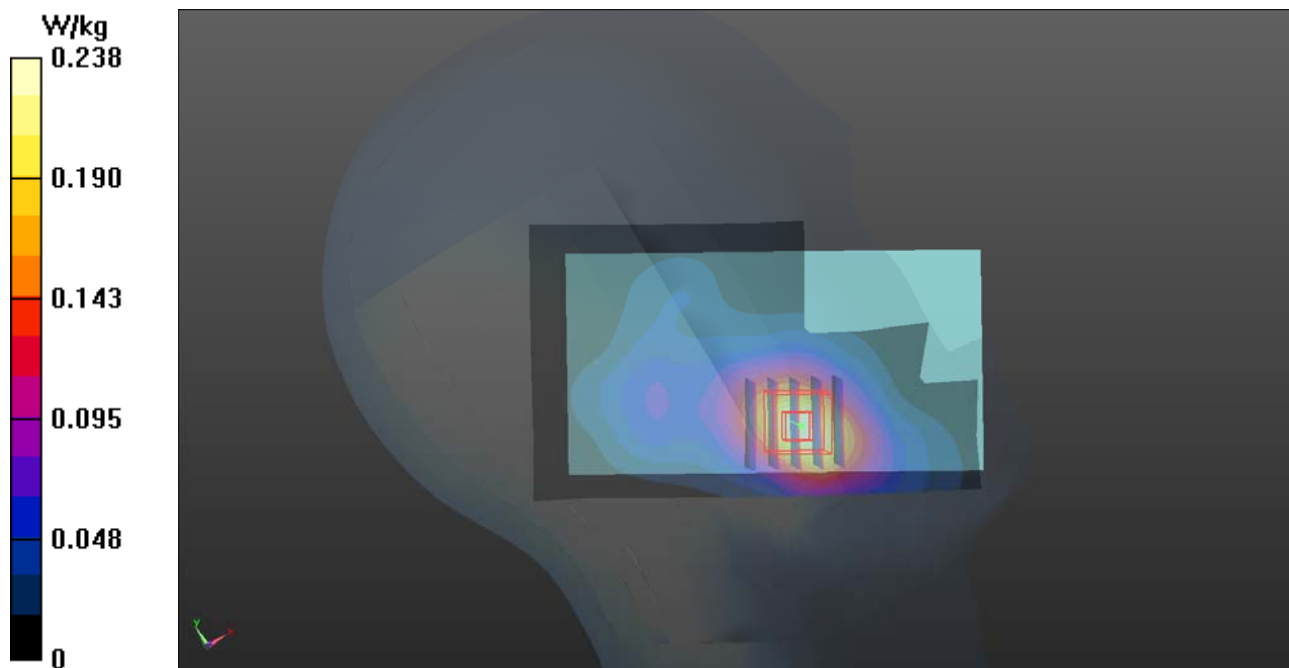
- **Zoom Scan (5x5x7)/Cube 0:** Measurement grid: dx=8mm, dy=8mm, dz=5mm

Reference Value = 3.742 V/m; Power Drift = 0.07 dB

Peak SAR (extrapolated) = 0.282 W/kg

**SAR(1 g) = 0.185 W/kg; SAR(10 g) = 0.115 W/kg**

Maximum value of SAR (measured) = 0.238 W/kg



### P03 WCDMA V\_RMC12.2K\_Right Cheek\_Ch4132

**DUT: 150327C14**

Communication System: WCDMA; Frequency: 826.4 MHz; Duty Cycle: 1:1

Medium: H08T09N1\_0518 Medium parameters used:  $f = 826.4$  MHz;  $\sigma = 0.875$  S/m;  $\epsilon_r = 43.537$ ;  $\rho = 1000$  kg/m<sup>3</sup>

Ambient Temperature : 22.4 °C ; Liquid Temperature : 22.1 °C

DASY5 Configuration:

- Probe: EX3DV4 - SN3590; ConvF(10.17, 10.17, 10.17); Calibrated: 2015/02/26;
- Sensor-Surface: 2mm (Mechanical Surface Detection)
- Electronics: DAE4 Sn861; Calibrated: 2015/04/28
- Phantom: Twin SAM Phantom\_1654; Type: QD000P40;
- Measurement SW: DASY4, Version 4.7 (80); SEMCAD X Version 14.6.10 (7331)

- **Area Scan (71x121x1):** Interpolated grid: dx=1.500 mm, dy=1.500 mm

Maximum value of SAR (interpolated) = 0.261 W/kg

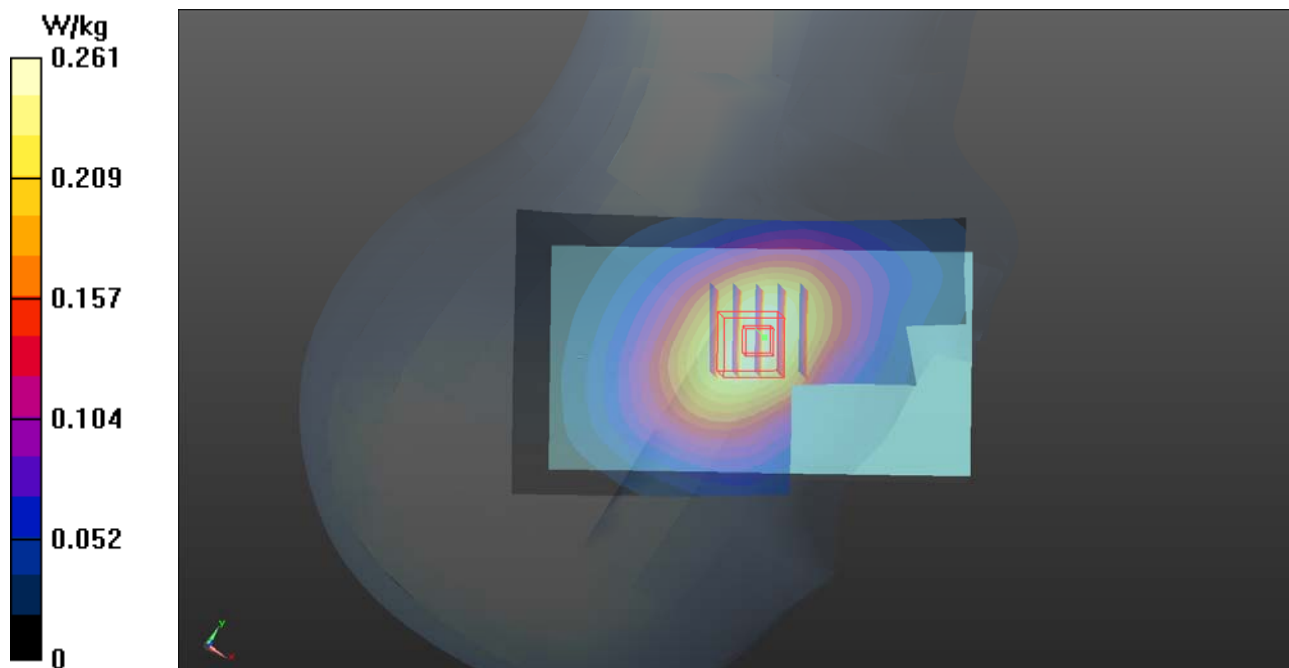
- **Zoom Scan (5x5x7)/Cube 0:** Measurement grid: dx=8mm, dy=8mm, dz=5mm

Reference Value = 6.175 V/m; Power Drift = -0.17 dB

Peak SAR (extrapolated) = 0.278 W/kg

**SAR(1 g) = 0.232 W/kg; SAR(10 g) = 0.182 W/kg**

Maximum value of SAR (measured) = 0.259 W/kg



## P04 2.4G WLAN\_802.11b\_Left Check\_Ch6

**DUT: 150327C14**

Communication System: WLAN\_2.4G; Frequency: 2437 MHz; Duty Cycle: 1:1

Medium: H24T25N3\_0610 Medium parameters used:  $f = 2437$  MHz;  $\sigma = 1.796$  S/m;  $\epsilon_r = 39.212$ ;  $\rho = 1000$  kg/m<sup>3</sup>

Ambient Temperature : 22.6 °C ; Liquid Temperature : 22.3 °C

DASY5 Configuration:

- Probe: EX3DV4 - SN3590; ConvF(7.89, 7.89, 7.89); Calibrated: 2015/02/26;
- Sensor-Surface: 2mm (Mechanical Surface Detection)
- Electronics: DAE4 Sn861; Calibrated: 2015/04/28
- Phantom: Twin SAM Phantom\_1202; Type: QD000P40;
- Measurement SW: DASY52, Version 52.8 (8); SEMCAD X Version 14.6.10 (7331)

- **Area Scan (101x151x1):** Interpolated grid: dx=1.200mm, dy=1.200mm

Maximum value of SAR (interpolated) = 0.0488 W/kg

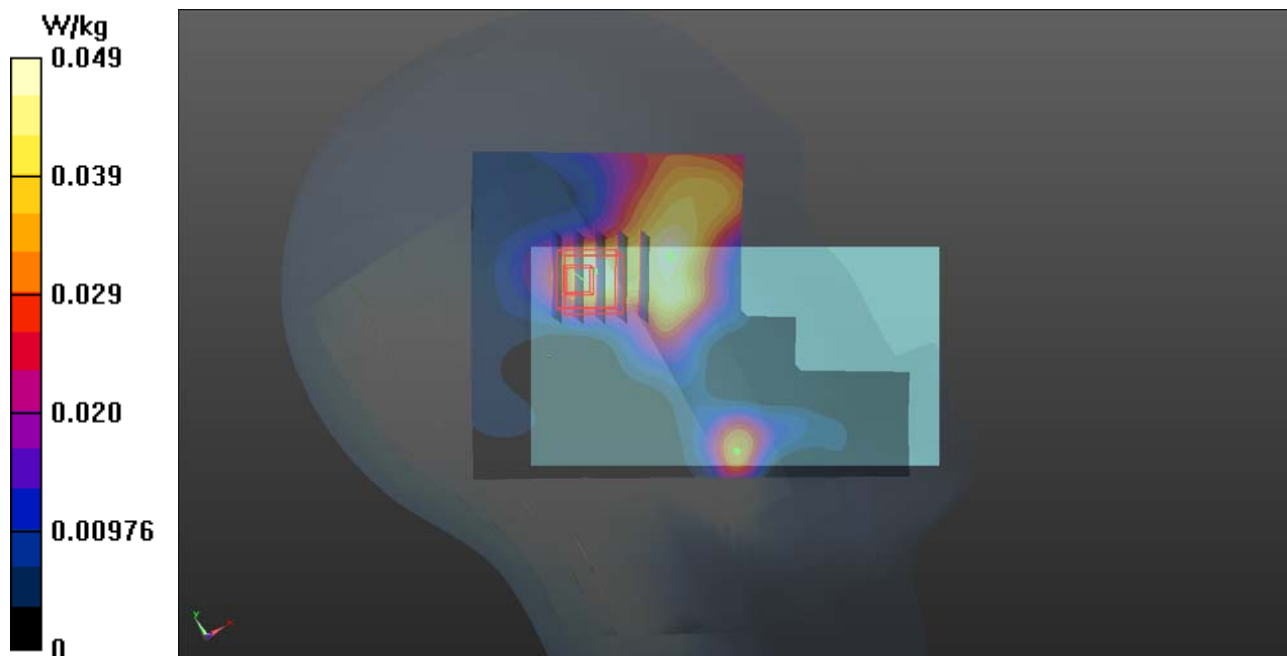
- **Zoom Scan (5x5x7)/Cube 0:** Measurement grid: dx=8mm, dy=8mm, dz=5mm

Reference Value = 1.244 V/m; Power Drift = 0.05

Peak SAR (extrapolated) = 0.0670 W/kg

**SAR(1 g) = 0.037 W/kg; SAR(10 g) = 0.019 W/kg**

Maximum value of SAR (measured) = 0.0513 W/kg



## P05 5.2G WLAN\_802.11a\_Right Check\_Ch44

**DUT: 150327C14**

Communication System: WLAN\_5G; Frequency: 5220 MHz; Duty Cycle: 1:1

Medium: H50T60N3\_0612 Medium parameters used:  $f = 5220$  MHz;  $\sigma = 4.599$  S/m;  $\epsilon_r = 36.209$ ;  $\rho = 1000$  kg/m<sup>3</sup>

Ambient Temperature : 23.3 °C ; Liquid Temperature : 22.3 °C

DASY5 Configuration:

- Probe: EX3DV4 - SN3650; ConvF(5.31, 5.31, 5.31); Calibrated: 2014/07/28;
- Sensor-Surface: 2mm (Mechanical Surface Detection)
- Electronics: DAE4 Sn1277; Calibrated: 2014/07/22
- Phantom: Twin SAM Phantom\_1822; Type: QD000P40;
- Measurement SW: DASY52, Version 52.8 (8); SEMCAD X Version 14.6.10 (7331)

- **Area Scan (101x181x1)**: Interpolated grid: dx=1.000 mm, dy=1.000 mm

Maximum value of SAR (interpolated) = 0.0805 W/kg

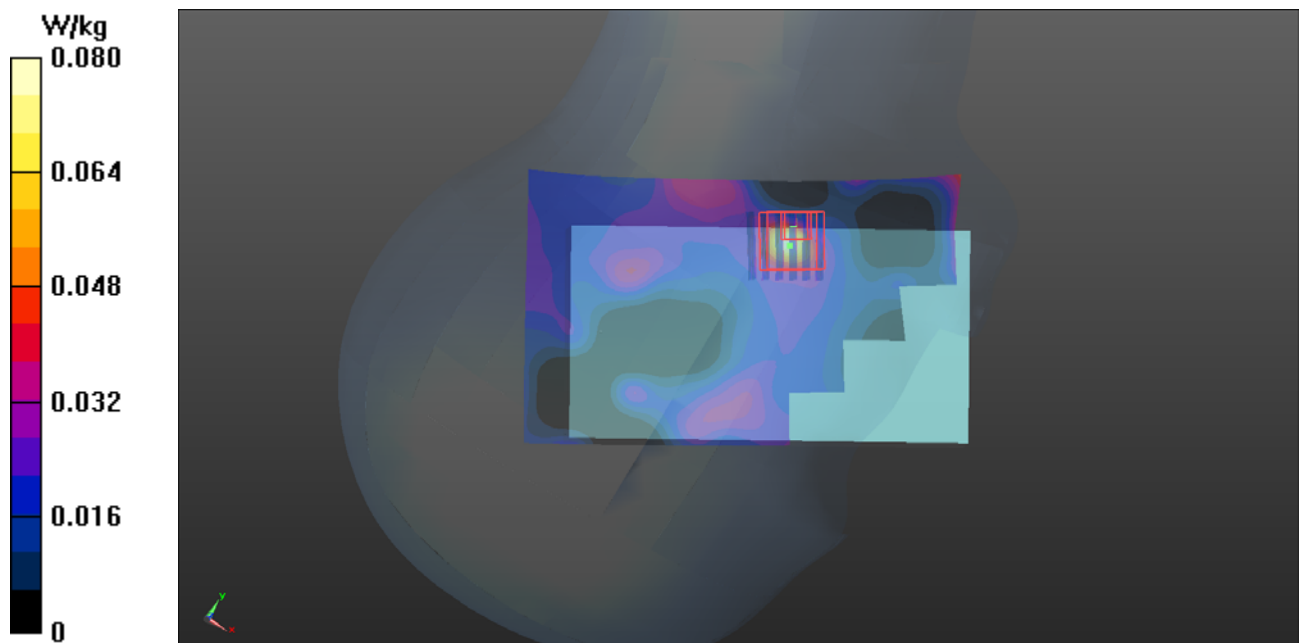
- **Zoom Scan (6x6x12)/Cube 0**: Measurement grid: dx=5mm, dy=5mm, dz=2mm

Reference Value = 1.571 V/m; Power Drift = 0.18 dB

Peak SAR (extrapolated) = 0.367 W/kg

**SAR(1 g) = 0.045 W/kg; SAR(10 g) = 0.017 W/kg**

Maximum value of SAR (measured) = 0.0785 W/kg



## P06 5.6G WLAN\_802.11a\_Right Check\_Ch116

**DUT: 150327C14**

Communication System: WLAN\_5G; Frequency: 5580 MHz; Duty Cycle: 1:1

Medium: H50T60N3\_0612 Medium parameters used:  $f = 5580$  MHz;  $\sigma = 4.901$  S/m;  $\epsilon_r = 35.827$ ;  $\rho = 1000$  kg/m<sup>3</sup>

Ambient Temperature : 23.5 °C; Liquid Temperature : 22.5 °C

DASY5 Configuration:

- Probe: EX3DV4 - SN3650; ConvF(4.77, 4.77, 4.77); Calibrated: 2014/07/28;
- Sensor-Surface: 2mm (Mechanical Surface Detection)
- Electronics: DAE4 Sn1277; Calibrated: 2014/07/22
- Phantom: Twin SAM Phantom\_1822; Type: QD000P40;
- Measurement SW: DASY52, Version 52.8 (8); SEMCAD X Version 14.6.10 (7331)

- **Area Scan (101x181x1)**: Interpolated grid: dx=1.000 mm, dy=1.000 mm

Maximum value of SAR (interpolated) = 0.170 W/kg

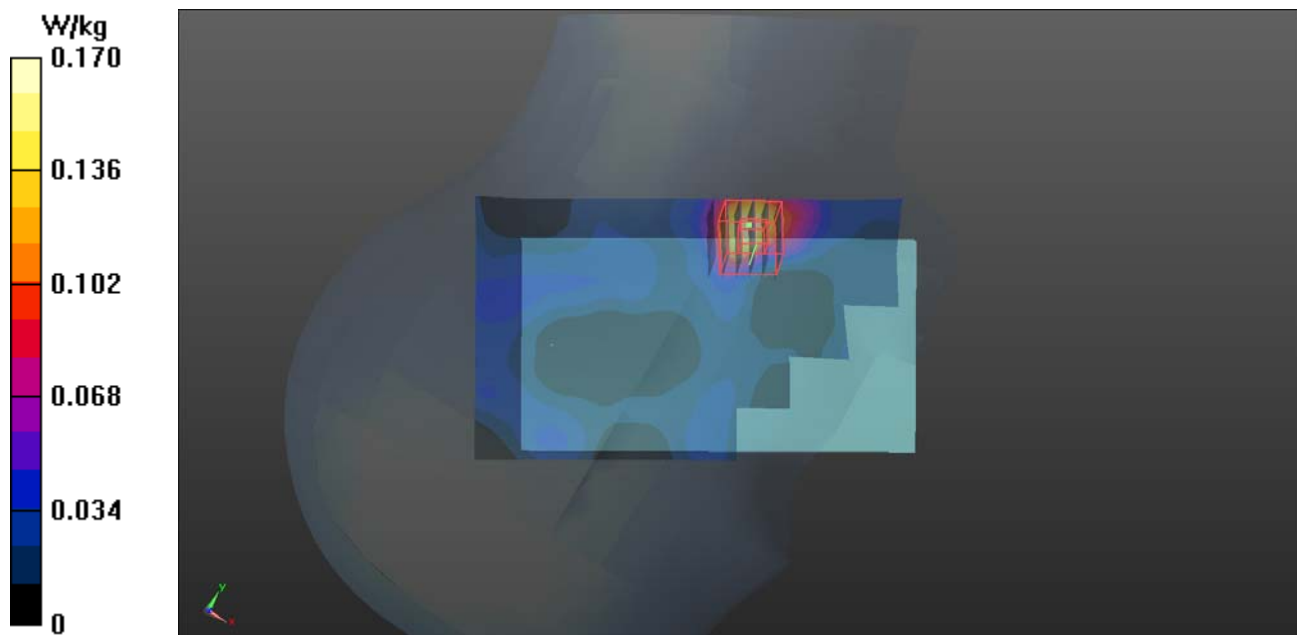
- **Zoom Scan (6x6x12)/Cube 0**: Measurement grid: dx=5mm, dy=5mm, dz=2mm

Reference Value = 1.403 V/m; Power Drift = 0.10 dB

Peak SAR (extrapolated) = 0.327 W/kg

**SAR(1 g) = 0.093 W/kg; SAR(10 g) = 0.034 W/kg**

Maximum value of SAR (measured) = 0.183 W/kg





### P07 5.8G WLAN\_802.11n HT40\_Right Check\_Ch159

**DUT: 150327C14**

Communication System: WLAN\_5G; Frequency: 5795 MHz; Duty Cycle: 1:1

Medium: H50T60N3\_0610 Medium parameters used:  $f = 5795$  MHz;  $\sigma = 5.253$  S/m;  $\epsilon_r = 35.767$ ;  $\rho = 1000$  kg/m<sup>3</sup>

Ambient Temperature : 23.1 °C; Liquid Temperature : 22.2 °C

DASY5 Configuration:

- Probe: EX3DV4 - SN3590; ConvF(4.97, 4.97, 4.97); Calibrated: 2015/02/26;
- Sensor-Surface: 2mm (Mechanical Surface Detection)
- Electronics: DAE4 Sn861; Calibrated: 2015/04/28
- Phantom: Twin SAM Phantom\_1202; Type: QD000P40;
- Measurement SW: DASY52, Version 52.8 (8); SEMCAD X Version 14.6.10 (7331)

**- Area Scan (101x181x1):** Interpolated grid: dx=1.000 mm, dy=1.000 mm

Maximum value of SAR (interpolated) = 0.241 W/kg

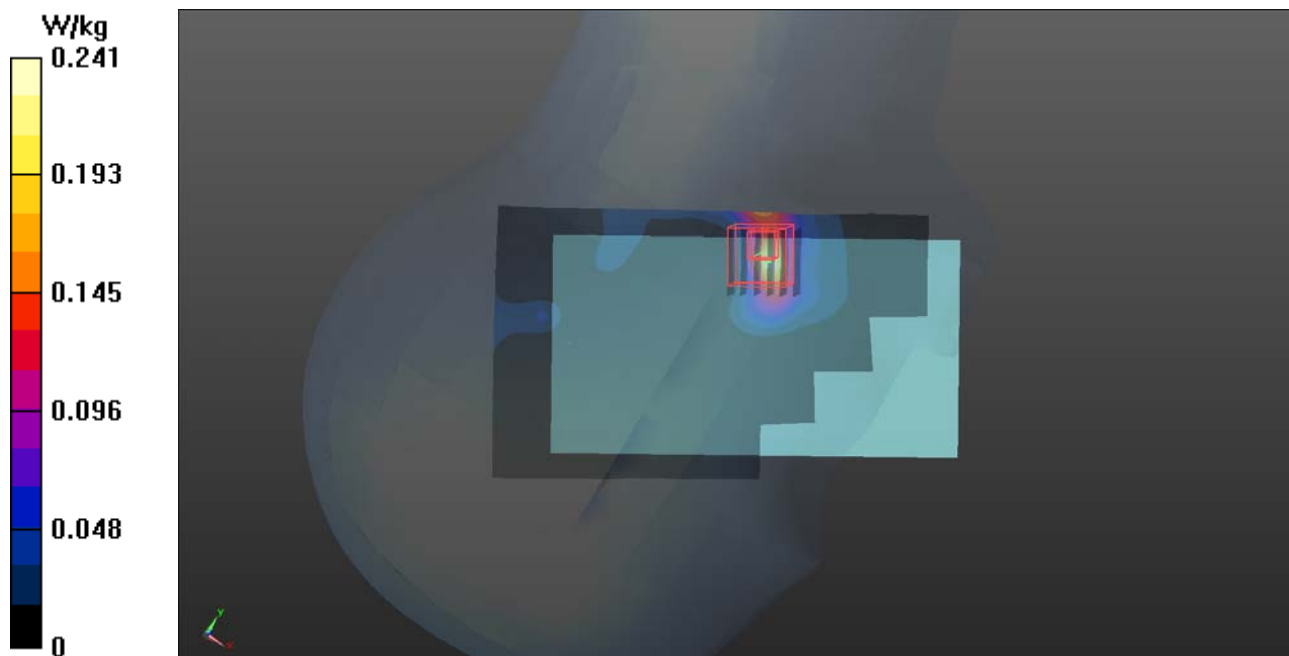
**- Zoom Scan (6x6x12)/Cube 0:** Measurement grid: dx=5mm, dy=5mm, dz=2mm

Reference Value = 1.081 V/m; Power Drift = 0.09 dB

Peak SAR (extrapolated) = 0.403 W/kg

**SAR(1 g) = 0.123 W/kg; SAR(10 g) = 0.043 W/kg**

Maximum value of SAR (measured) = 0.227 W/kg



### P08 GSM850\_GPRS12\_Rear Face\_1cm\_Ch128

**DUT: 150327C14**

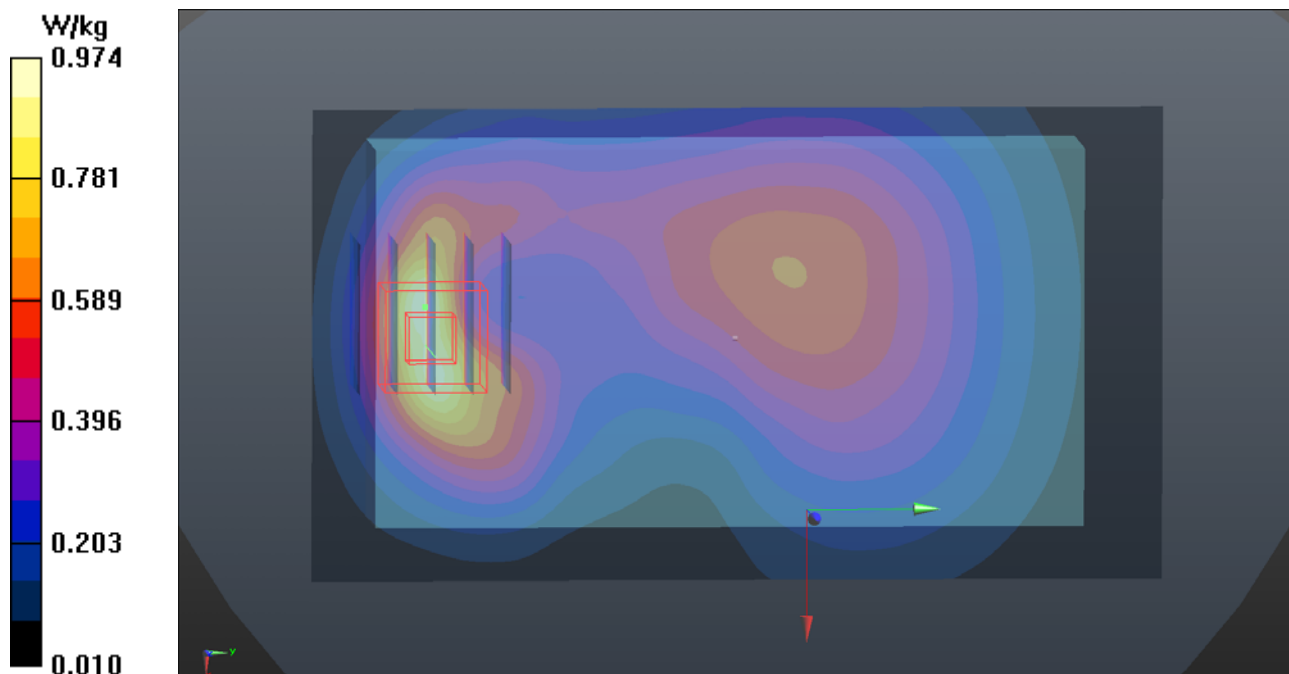
Communication System: GPRS12; Frequency: 824.2 MHz; Duty Cycle: 1:2  
Medium: B08T09N1\_0624 Medium parameters used:  $f = 824.2$  MHz;  $\sigma = 0.961$  S/m;  $\epsilon_r = 54.194$ ;  $\rho = 1000$  kg/m<sup>3</sup>  
Ambient Temperature : 22.8 °C ; Liquid Temperature : 22.6 °C

DASY5 Configuration:

- Probe: EX3DV4 - SN3590; ConvF(10.3, 10.3, 10.3); Calibrated: 2015/02/26;
- Sensor-Surface: 2mm (Mechanical Surface Detection)
- Electronics: DAE4 Sn861; Calibrated: 2015/04/28
- Phantom: Twin SAM Phantom\_1654; Type: QD000P40;
- Measurement SW: DASY52, Version 52.8 (8); SEMCAD X Version 14.6.10 (7331)

- **Area Scan (71x121x1):** Interpolated grid: dx=1.500 mm, dy=1.500 mm  
Maximum value of SAR (interpolated) = 0.974 W/kg

- **Zoom Scan (5x5x7)/Cube 0:** Measurement grid: dx=8mm, dy=8mm, dz=5mm  
Reference Value = 22.33 V/m; Power Drift = 0.02 dB  
Peak SAR (extrapolated) = 1.26 W/kg  
**SAR(1 g) = 0.738 W/kg; SAR(10 g) = 0.428 W/kg**  
Maximum value of SAR (measured) = 1.01 W/kg



### P09 GSM1900\_GPRS12\_Rear Face\_1cm\_Ch661

**DUT: 150327C14**

Communication System: GPRS12; Frequency: 1880 MHz; Duty Cycle: 1:2

Medium: B16T20N1\_0701 Medium parameters used:  $f = 1880$  MHz;  $\sigma = 1.543$  S/m;  $\epsilon_r = 51.301$ ;  $\rho = 1000$  kg/m<sup>3</sup>

Ambient Temperature : 23.5 °C ; Liquid Temperature : 22.7 °C

DASY5 Configuration:

- Probe: EX3DV4 - SN3650; ConvF(7.41, 7.41, 7.41); Calibrated: 2014/07/28;
- Sensor-Surface: 2mm (Mechanical Surface Detection)
- Electronics: DAE4 Sn1277; Calibrated: 2014/07/22
- Phantom: Twin SAM Phantom\_1822; Type: QD000P40;
- Measurement SW: DASY52, Version 52.8 (8); SEMCAD X Version 14.6.10 (7331)

- **Area Scan (71x121x1):** Interpolated grid: dx=1.500 mm, dy=1.500 mm

Maximum value of SAR (interpolated) = 0.673 W/kg

- **Zoom Scan (5x5x7)/Cube 1:** Measurement grid: dx=8mm, dy=8mm, dz=5mm

Reference Value = 9.539 V/m; Power Drift = -0.02 dB

Peak SAR (extrapolated) = 1.10 W/kg

**SAR(1 g) = 0.685 W/kg; SAR(10 g) = 0.368 W/kg**

Maximum value of SAR (measured) = 0.862 W/kg

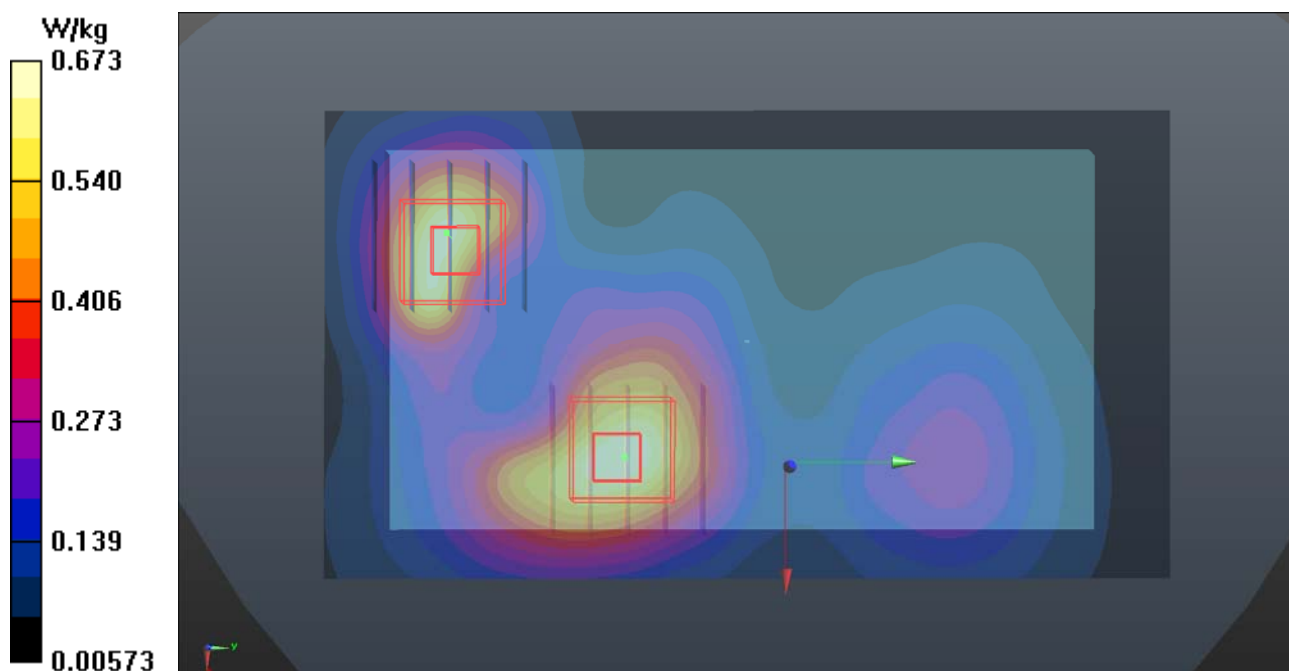
- **Zoom Scan (5x5x7)/Cube 0:** Measurement grid: dx=8mm, dy=8mm, dz=5mm

Reference Value = 9.539 V/m; Power Drift = -0.02 dB

Peak SAR (extrapolated) = 0.788 W/kg

**SAR(1 g) = 0.525 W/kg; SAR(10 g) = 0.330 W/kg**

Maximum value of SAR (measured) = 0.673 W/kg



### P10 WCDMA V\_RMC12.2K\_Rear Face\_1cm\_Ch4132

**DUT: 150327C14**

Communication System: WCDMA; Frequency: 826.4 MHz; Duty Cycle: 1:1

Medium: B08T09N1\_0624 Medium parameters used:  $f = 826.4$  MHz;  $\sigma = 0.963$  S/m;  $\epsilon_r = 54.175$ ;  $\rho = 1000$  kg/m<sup>3</sup>

Ambient Temperature : 22.8 °C ; Liquid Temperature : 22.6 °C

DASY5 Configuration:

- Probe: EX3DV4 - SN3590; ConvF(10.3, 10.3, 10.3); Calibrated: 2015/02/26;
- Sensor-Surface: 2mm (Mechanical Surface Detection)
- Electronics: DAE4 Sn861; Calibrated: 2015/04/28
- Phantom: Twin SAM Phantom\_1654; Type: QD000P40;
- Measurement SW: DASY52, Version 52.8 (8); SEMCAD X Version 14.6.10 (7331)

- **Area Scan (71x121x1):** Interpolated grid: dx=1.500 mm, dy=1.500 mm

Maximum value of SAR (interpolated) = 0.477 W/kg

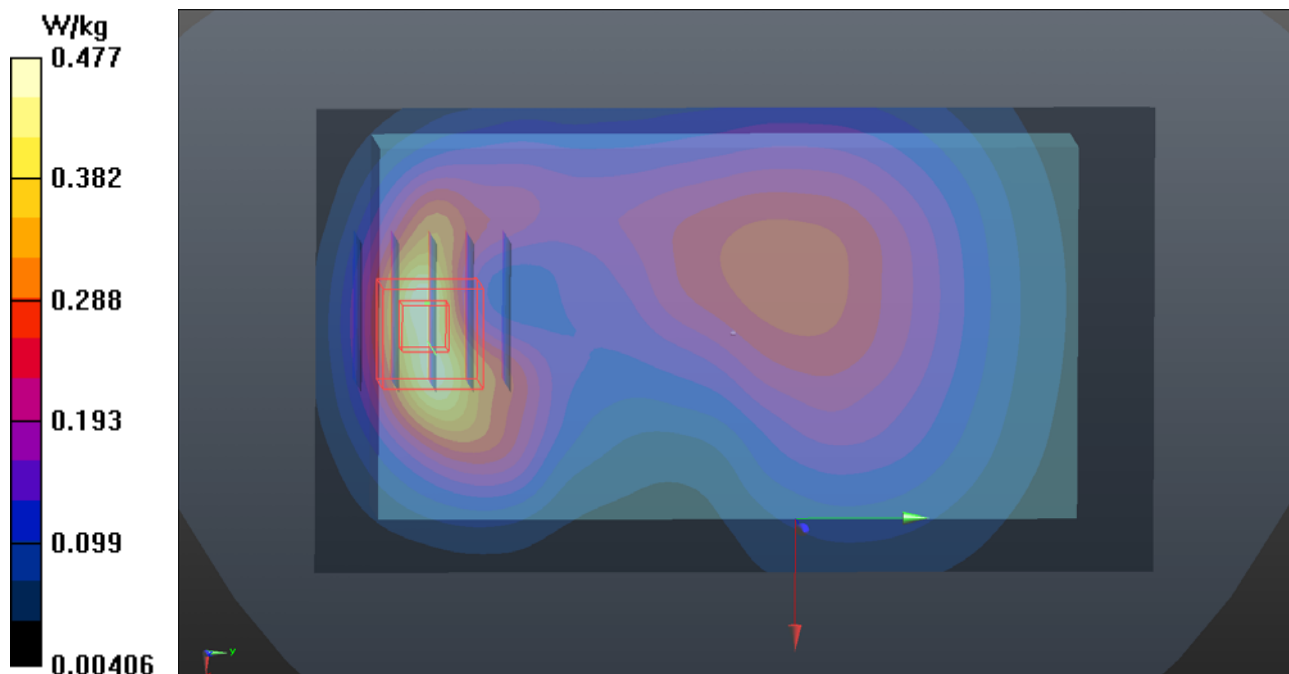
- **Zoom Scan (5x5x7)/Cube 0:** Measurement grid: dx=8mm, dy=8mm, dz=5mm

Reference Value = 15.49 V/m; Power Drift = 0.04 dB

Peak SAR (extrapolated) = 0.612 W/kg

**SAR(1 g) = 0.360 W/kg; SAR(10 g) = 0.208 W/kg**

Maximum value of SAR (measured) = 0.492 W/kg



## P11 2.4G WLAN\_802.11b\_Rear Face\_1cm\_Ch6

**DUT: 150327C14**

Communication System: WLAN\_2.4G; Frequency: 2437 MHz; Duty Cycle: 1:1

Medium: B24T25N1\_0701 Medium parameters used:  $f = 2437$  MHz;  $\sigma = 2.007$  S/m;  $\epsilon_r = 51.044$ ;  $\rho = 1000$  kg/m<sup>3</sup>

Ambient Temperature : 23.6 °C ; Liquid Temperature : 22.8 °C

DASY5 Configuration:

- Probe: EX3DV4 - SN3650; ConvF(6.81, 6.81, 6.81); Calibrated: 2014/07/28;
- Sensor-Surface: 2mm (Mechanical Surface Detection)
- Electronics: DAE4 Sn1277; Calibrated: 2014/07/22
- Phantom: ELI Phantom\_1204; Type: QDOVA;
- Measurement SW: DASY52, Version 52.8 (8); SEMCAD X Version 14.6.10 (7331)

- **Area Scan (91x151x1):** Interpolated grid: dx=1.200 mm, dy=1.200 mm

Maximum value of SAR (interpolated) = 0.540 W/kg

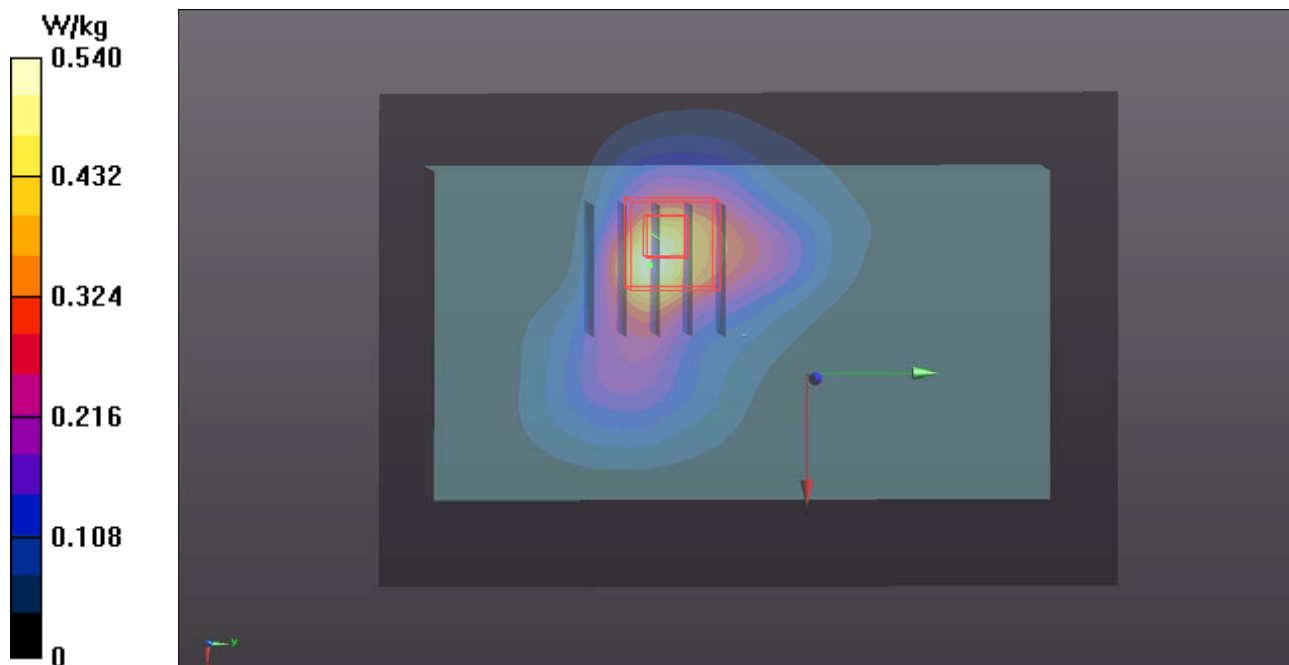
- **Zoom Scan (5x5x7)/Cube 0:** Measurement grid: dx=8mm, dy=8mm, dz=5mm

Reference Value = 5.888 V/m; Power Drift = 0.15 dB

Peak SAR (extrapolated) = 0.741 W/kg

**SAR(1 g) = 0.378 W/kg; SAR(10 g) = 0.190 W/kg**

Maximum value of SAR (measured) = 0.534 W/kg



## P12 5.2G WLAN\_802.11a\_Rear Face\_1cm\_Ch44

**DUT: 150327C14**

Communication System: WLAN\_5G; Frequency: 5220 MHz; Duty Cycle: 1:1

Medium: B50T60N3\_0623 Medium parameters used:  $f = 5220$  MHz;  $\sigma = 5.214$  S/m;  $\epsilon_r = 51.033$ ;  $\rho = 1000$  kg/m<sup>3</sup>

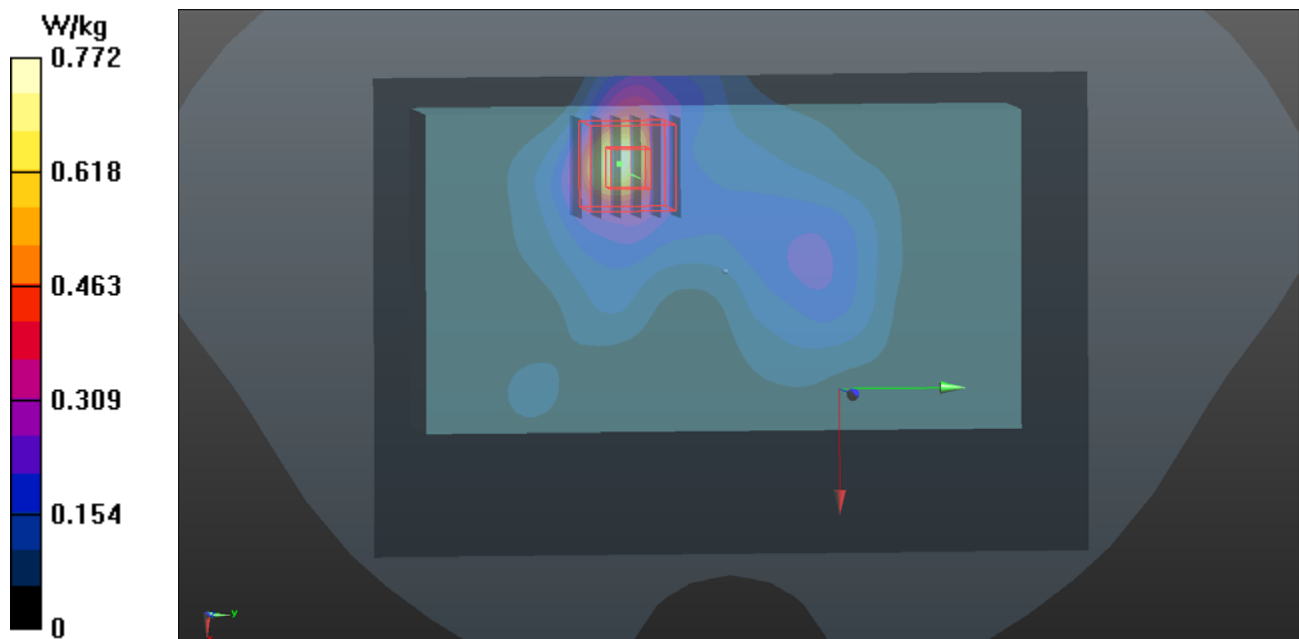
Ambient Temperature : 22.6 °C; Liquid Temperature : 21.7 °C

DASY5 Configuration:

- Probe: EX3DV4 - SN3650; ConvF(4.87, 4.87, 4.87); Calibrated: 2014/07/28;
- Sensor-Surface: 2mm (Mechanical Surface Detection)
- Electronics: DAE4 Sn1277; Calibrated: 2014/07/22
- Phantom: Twin SAM Phantom\_1485; Type: QD000P40;
- Measurement SW: DASY52, Version 52.8 (8); SEMCAD X Version 14.6.10 (7331)

- **Area Scan (121x181x1)**: Interpolated grid: dx=1.000 mm, dy=1.000 mm  
Maximum value of SAR (interpolated) = 0.772 W/kg

- **Zoom Scan (6x6x12)/Cube 0**: Measurement grid: dx=5mm, dy=5mm, dz=2mm  
Reference Value = 5.342 V/m; Power Drift = 0.11 dB  
Peak SAR (extrapolated) = 1.63 W/kg  
**SAR(1 g) = 0.452 W/kg; SAR(10 g) = 0.165 W/kg**  
Maximum value of SAR (measured) = 0.821 W/kg



## P13 5.6G WLAN\_802.11a\_Rear Face\_1cm\_Ch116

**DUT: 150327C14**

Communication System: WLAN\_5G; Frequency: 5580 MHz; Duty Cycle: 1:1

Medium: B50T60N3\_0623 Medium parameters used:  $f = 5580$  MHz;  $\sigma = 5.817$  S/m;  $\epsilon_r = 50.403$ ;  $\rho = 1000$  kg/m<sup>3</sup>

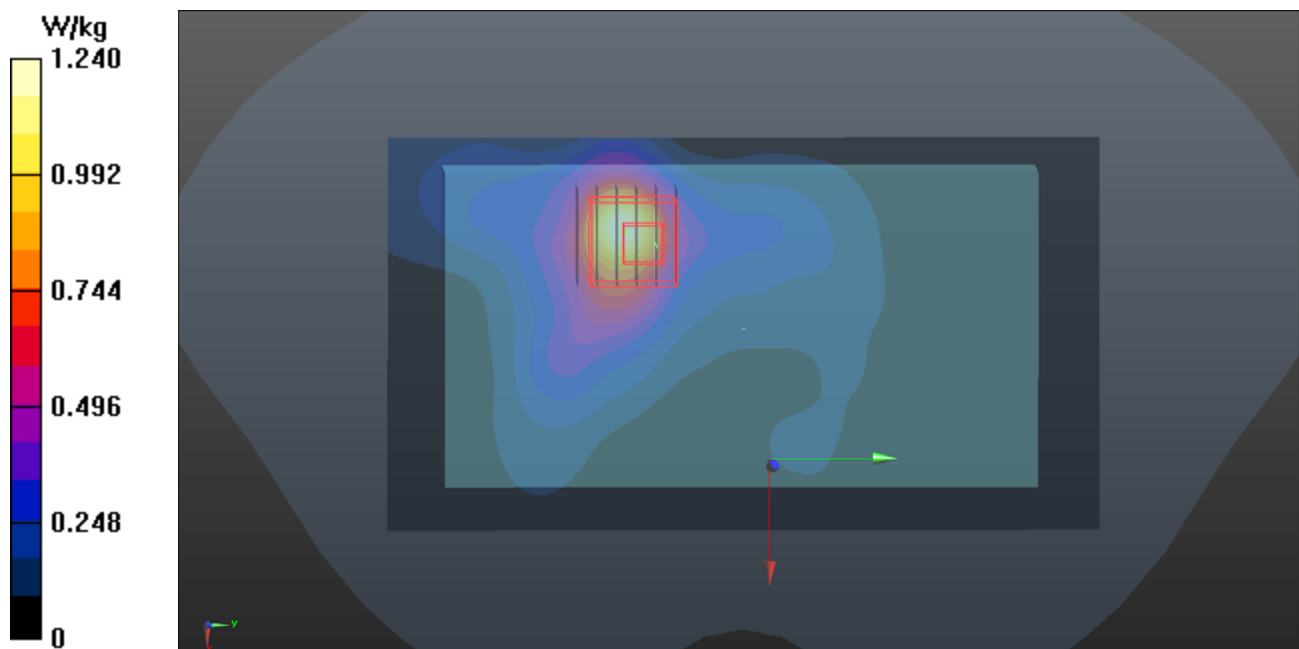
Ambient Temperature : 22.9 °C; Liquid Temperature : 21.8 °C

DASY5 Configuration:

- Probe: EX3DV4 - SN3650; ConvF(3.99, 3.99, 3.99); Calibrated: 2014/07/28;
- Sensor-Surface: 2mm (Mechanical Surface Detection)
- Electronics: DAE4 Sn1277; Calibrated: 2014/07/22
- Phantom: Twin SAM Phantom\_1485; Type: QD000P40;
- Measurement SW: DASY52, Version 52.8 (8); SEMCAD X Version 14.6.10 (7331)

- **Area Scan (101x181x1):** Interpolated grid: dx=1.000 mm, dy=1.000 mm  
Maximum value of SAR (interpolated) = 1.24 W/kg

- **Zoom Scan (6x6x12)/Cube 0:** Measurement grid: dx=5mm, dy=5mm, dz=2mm  
Reference Value = 5.001 V/m; Power Drift = 0.18 dB  
Peak SAR (extrapolated) = 2.79 W/kg  
**SAR(1 g) = 0.711 W/kg; SAR(10 g) = 0.287 W/kg**  
Maximum value of SAR (measured) = 1.45 W/kg



## P14 5.8G WLAN\_802.11n HT40\_Rear Face\_1cm\_Ch159

**DUT: 150327C14**

Communication System: WLAN\_5G; Frequency: 5795 MHz; Duty Cycle: 1:1

Medium: B50T60N3\_0623 Medium parameters used:  $f = 5795$  MHz;  $\sigma = 6.146$  S/m;  $\epsilon_r = 49.887$ ;  $\rho = 1000$  kg/m<sup>3</sup>

Ambient Temperature : 22.8 °C; Liquid Temperature : 22.3 °C

DASY5 Configuration:

- Probe: EX3DV4 - SN3650; ConvF(4.4, 4.4, 4.4); Calibrated: 2014/07/28;
- Sensor-Surface: 2mm (Mechanical Surface Detection)
- Electronics: DAE4 Sn1277; Calibrated: 2014/07/22
- Phantom: Twin SAM Phantom\_1485; Type: QD000P40;
- Measurement SW: DASY52, Version 52.8 (8); SEMCAD X Version 14.6.10 (7331)

- **Area Scan (121x181x1)**: Interpolated grid: dx=1.000 mm, dy=1.000 mm

Maximum value of SAR (interpolated) = 1.07 W/kg

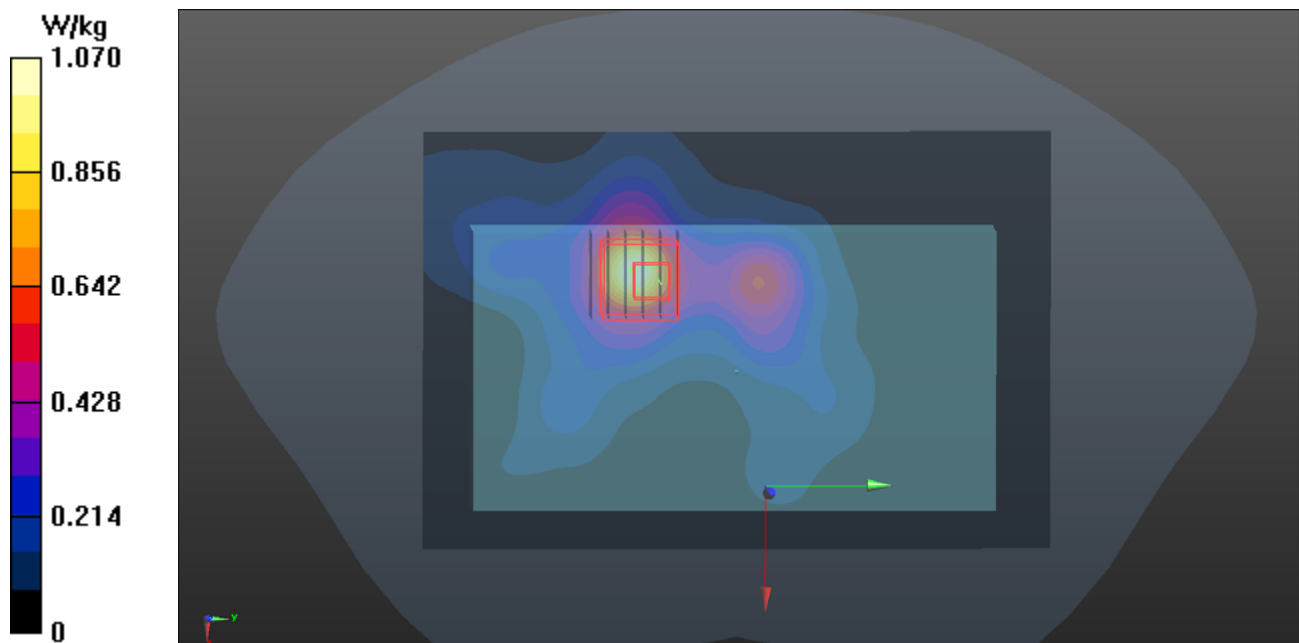
- **Zoom Scan (6x6x12)/Cube 0**: Measurement grid: dx=5mm, dy=5mm, dz=2mm

Reference Value = 5.624 V/m; Power Drift = 0.13 dB

Peak SAR (extrapolated) = 2.28 W/kg

**SAR(1 g) = 0.639 W/kg; SAR(10 g) = 0.252 W/kg**

Maximum value of SAR (measured) = 1.18 W/kg





### P15 Bluetooth\_Rear Face\_1cm\_Ch39

**DUT: 150327C14**

Communication System: BT; Frequency: 2441 MHz; Duty Cycle: 1:3.14

Medium: B19T27N1\_0706 Medium parameters used:  $f = 2441$  MHz;  $\sigma = 1.988$  S/m;  $\epsilon_r = 50.947$ ;  $\rho = 1000$  kg/m<sup>3</sup>

Ambient Temperature : 23.2 °C ; Liquid Temperature : 22.9 °C

DASY5 Configuration:

- Probe: EX3DV4 - SN3590; ConvF(7.78, 7.78, 7.78); Calibrated: 2015/02/26;
- Sensor-Surface: 2mm (Mechanical Surface Detection)
- Electronics: DAE4 Sn861; Calibrated: 2015/04/28
- Phantom: Twin SAM Phantom\_1654; Type: QD000P40;
- Measurement SW: DASY52, Version 52.8 (8); SEMCAD X Version 14.6.10 (7331)

**- Area Scan (91x151x1):** Interpolated grid: dx=1.200 mm, dy=1.200 mm

Maximum value of SAR (interpolated) = 0.00707 W/kg

**- Zoom Scan (5x5x7)/Cube 0:** Measurement grid: dx=8mm, dy=8mm, dz=5mm

Reference Value = 1.161 V/m; Power Drift = -0.06 dB

Peak SAR (extrapolated) = 0.0190 W/kg

**SAR(1 g) = 0.00394 W/kg; SAR(10 g) = 0.0016 W/kg**

Maximum value of SAR (measured) = 0.00785 W/kg

**- Zoom Scan (5x5x7)/Cube 1:** Measurement grid: dx=8mm, dy=8mm, dz=5mm

Reference Value = 1.161 V/m; Power Drift = -0.06 dB

Peak SAR (extrapolated) = 0.00482 W/kg

**SAR(1 g) = 0.000495 W/kg; SAR(10 g) = 8.6e-005 W/kg**

Maximum value of SAR (measured) = 0.00446 W/kg

