



# RF Test Report

Issued Date: Aug. 18, 2021

Applicant : Askey Computer Corp.  
 Product Type : Dynalink Wireless Gamepad  
 Trade Name : Dynalink  
 Model Number : DL-GAW36  
 FCC ID : H8N-DL-GAW36  
 EUT Rated Voltage : DC 5V, 2A  
 Test Voltage : 120 Vac / 60 Hz  
 Receive Date : Jul. 16 , 2021  
 Test Period : Jul. 23 ~ Aug. 05, 2021  
 Applicable Standard : FCC 47 CFR PART 15 SUBPART C  
 ANSI C63.10:2013  
 Test Result : Complied

## Testing Laboratory

### A Test Lab Techno Corp.

101-104, 1F, A building, Safflower ridge industrial area,  
Taoyuan street, Nanshan district, Shenzhen

Tel : +86-755-23987770 / Fax : +86-755-26637771

<http://www.atl-lab.com.tw/e-index.htm>



American Association for Laboratory Accreditation number: 3464.02  
Test Firm MRA designation number: CN1168

**Note:** This report shall not be reproduced except in full, without the written approval of A Test Lab Techno Corp. This document may be altered or revised by A Test Lab Techno Corp. personnel only and shall be noted in the revision section of the document. The client should not use it to claim product endorsement by A2LA, or any government agencies. The test results in the report only apply to the tested sample.

Approved By : Louis Shen Reviewed By : Joyce Feng  
 (Manager) (Louis Shen) (Testing Engineer) (Joyce Feng)



### Revision History

Rev.	Issue Date	Revisions
00	Aug. 18, 2021	Initial Issue

## TABLE OF CONTENTS

<b>1</b>	<b>General Information</b> .....	<b>4</b>
	1.1. Summary of Test Result.....	4
	1.2. Measurement Uncertainty.....	5
<b>2</b>	<b>EUT Description</b> .....	<b>6</b>
	2.1. EUT description.....	6
	2.2. Channel numbers and channel list.....	7
<b>3</b>	<b>Test Methodology</b> .....	<b>8</b>
	3.1. Mode of Operation.....	8
	3.2. EUT Test Step.....	9
	3.3. Configuration of Test System Details.....	10
	3.4. Test Instruments.....	11
	3.5. Test Site Environment.....	12
<b>4</b>	<b>Measurement Procedure</b> .....	<b>13</b>
	4.1. Maximum Conducted Output Power Measurement.....	13
	4.2. AC Power Line Conducted Emission Measurement.....	14
	4.3. Radiated Emission Measurement.....	16
	4.4. 20dB RF Bandwidth Measurement.....	19
	4.5. Carrier Frequency Separation Measurement.....	20
	4.6. Number of Hopping Measurement.....	21
	4.7. Time of Occupancy (Dwell Time) Measurement.....	22
	4.8. Out of Band Conducted Emissions Measurement.....	23
	4.9. Antenna Measurement.....	23
<b>5</b>	<b>Test Results</b> .....	<b>24</b>
	Annex A. Conducted Emission.....	24
	Annex B. Conducted Test Results.....	26
	Annex C. Radiated Emission Measurement.....	44



# 1 General Information

## 1.1. Summary of Test Result

FCC Standard	Item	Result	Remark
15.207	AC Power Conducted Emission	PASS	----
15.203	Antenna Requirement	PASS	----
15.247(b)(1)	Max. Output Power	PASS	----
15.247(d)	Transmitter Radiated Emissions	PASS	----
15.247(a)(1)	20dB RF Bandwidth	PASS	----
15.247(a)(1)	Carrier Frequency Separation	PASS	----
15.247(a)(1)(iii)	Number of Hopping	PASS	----
15.247(a)(1)(iii)	Time of Occupancy (Dwell Time)	PASS	----
15.247(d)	Out of Band Conducted Spurious Emission	PASS	----

Standard	Description
CFR47, Part 15, Subpart C §15.247	Intentional Radiators
ANSI C63. 10: 2013	American National Standard of Procedures for Compliance Testing of Unlicensed Wireless Devices
ANSI C63. 4: 2014	American National Standard for methods of measurement of radio – noise emissions from low-voltage electrical and electronic equipment in the range of 9 kHz to 40 GHz
DA 00-705	Filing and Measurement Guidelines for Frequency Hopping Spread Spectrum Systems
KDB558074 D01 v05r02	GUIDANCE FOR COMPLIANCE MEASUREMENTS ON DIGITAL TRANSMISSION SYSTEM, FREQUENCY HOPPING SPREAD SPECTRUM SYSTEM, AND HYBRID SYSTEM DEVICES

The test results of this report relate only to the tested sample(s) identified in this report. Manufacturer or whom it may concern should recognize the pass or fail of the test result.

### Decision Rule

- Uncertainty is not included.
- Uncertainty is included.



A Test Lab Techno Corp. tested the above equipment under the requirements outlined in the above standards. All indications of Pass/Fail in this report are opinions expressed by A Test Lab Techno Corp. Based on interpretations and/or observations of test results. Measurement Uncertainties were not taken into account and are published for informational purposes only. The test results show that the equipment tested is capable of demonstrating compliance with the requirements as documented in this report.

A Test Lab Techno Corp. will not be liable for any loss or damage resulting from false, inaccurate, inappropriate or incomplete product information provided by the customer.

This test report is electronically signed and valid without handwriting signature. For verification of the electronic signatures, the public keys can be requested at the testing laboratory.

## 1.2. Measurement Uncertainty

Test Item	Frequency Range	Uncertainty (dB)
Conducted Emission	9kHz ~ 150kHz	2.7
	150kHz ~ 30MHz	2.7
Radiated Emission	9kHz ~ 30MHz	1.7
	30MHz ~ 1000MHz	5.7
	1000MHz ~ 18000MHz	5.5
	18000MHz ~ 26500MHz	4.8
	26500MHz ~ 40000MHz	4.8
Conducted Output Power	+0.27 dB / -0.28 dB	
RF Bandwidth	4.96%	
Power Spectral Density	+0.71 dB / -0.77 dB	

## 2 EUT Description

### 2.1. EUT description

Applicant	Askey Computer Corp. 10F, No.119, Jiankang Rd., Zhonghe Dist., New Taipei City 23585, Taiwan		
Manufacturer	Askey Computer Corp. 10F, No.119, Jiankang Rd., Zhonghe Dist., New Taipei City 23585, Taiwan		
Product	Dynamlink Wireless Gamepad		
Trade Name	Dynamlink		
Model Number	DL-GAW36		
FCC ID	H8N-DL-GAW36		
Frequency Range	2402 ~ 2480 MHz		
Modulation Type	GFSK for 1Mbps		
	$\pi/4$ -DQPSK for 2Mbps		
	8DPSK for 3Mbps		
Operate Temp. Range	0 ~ +40 °C		
Antenna information	Type	Max. Gain (dBi)	
	Printed Antenna	0.00263	
RF Cable information	Cable Loss(dB)	Provided by	
	0.5	<input checked="" type="checkbox"/> Manufacturer <input type="checkbox"/> Testing Laboratory	
RF Output Power (Conducted)	GFSK for 1Mbps	0.00005	W
	$\pi/4$ -DQPSK for 2Mbps	0.00007	W
	8DPSK for 3Mbps	0.00006	W

## 2.2. Channel numbers and channel list

Channel No.	Frequency (MHz)	Channel No.	Frequency (MHz)	Channel No.	Frequency (MHz)	Channel No.	Frequency (MHz)
0	2402	20	2422	40	2442	60	2462
1	2403	21	2423	41	2443	61	2463
2	2404	22	2424	42	2444	62	2464
3	2405	23	2425	43	2445	63	2465
4	2406	24	2426	44	2446	64	2466
5	2407	25	2427	45	2447	65	2467
6	2408	26	2428	46	2448	66	2468
7	2409	27	2429	47	2449	67	2469
8	2410	28	2430	48	2450	68	2470
9	2411	29	2431	49	2451	69	2471
10	2412	30	2432	50	2452	70	2472
11	2413	31	2433	51	2453	71	2473
12	2414	32	2434	52	2454	72	2474
13	2415	33	2435	53	2455	73	2475
14	2416	34	2436	54	2456	74	2476
15	2417	35	2437	55	2457	75	2477
16	2418	36	2438	56	2458	76	2478
17	2419	37	2439	57	2459	77	2479
18	2420	38	2440	58	2460	78	2480
19	2421	39	2441	59	2461		



### 3 Test Methodology

#### 3.1. Mode of Operation

Decision of Test ATL has verified the construction and function in typical operation. All the test modes were carried out with the EUT in normal operation, which was shown in this test report and defined as:

Pre-Test Mode
Mode 1: Transmit mode
Mode 2: GFSK Continuous TX mode
Mode 3: $\pi/4$ -DQPSK Continuous TX mode
Mode 4: 8DPSK Continuous TX mode

After verification, all tests were carried out with the worst case test modes as shown below except radiated spurious emission below 1GHz and power line conducted emissions below 30MHz, which worst case was in TX mode only. By preliminary testing and verifying three axis (X, Y and Z) position of EUT transmitted status, it was found that "X axis" position was the worst, then the final test was executed the worst condition and test data were recorded in this report.

Final-Test Mode
Mode 1: Transmit mode
Mode 2: GFSK Continuous TX mode
Mode 3: $\pi/4$ -DQPSK Continuous TX mode
Mode 4: 8DPSK Continuous TX mode

#### Description of Test Modes

Preliminary tests were performed in different modulation to find the worst case. The modulation has shown the worst-case in section 4.5. Investigation has been done on all the possible configurations for searching the worst cases.

#### Tested System Details

The types for all equipments, plus descriptions of all cables used in the tested system (including inserted cards) are:

	Product	Manufacturer	Model Number	Serial Number	Power Cord
1.	Wireless Connectivity Tester	R & S	CMW270	101185	NA



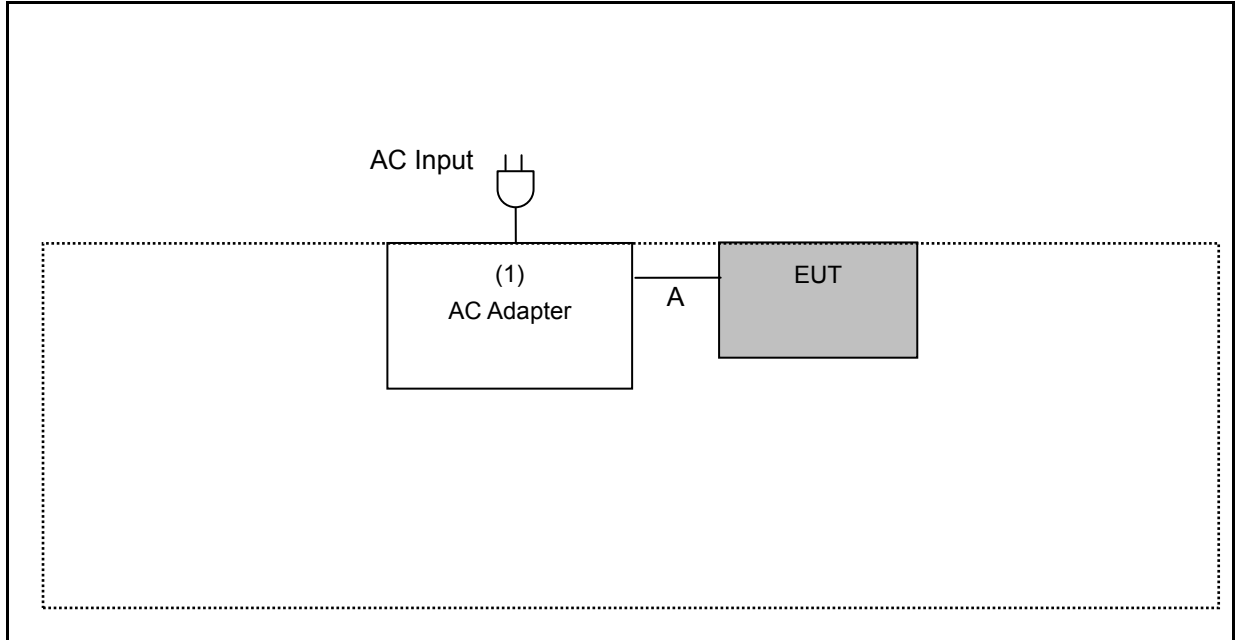


### 3.2. EUT Test Step

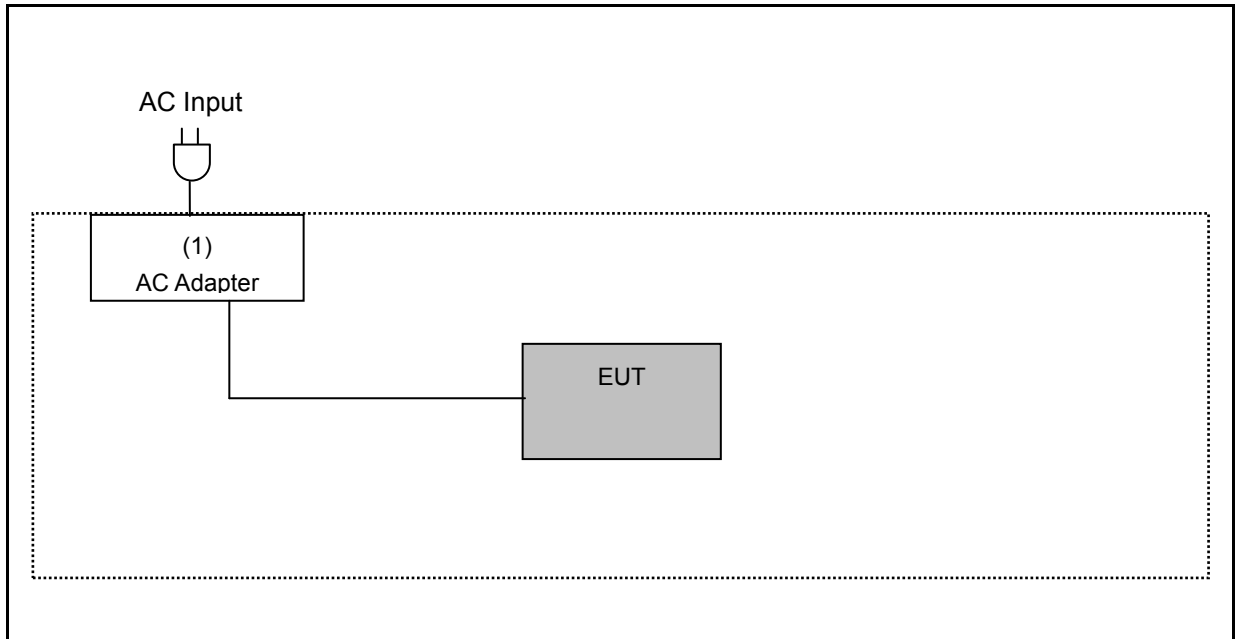
1	Setup the EUT shown on "Configuration of Test System Details."
2	Turn on the power of all equipment.
3	Turn on TX function
4	EUT run test program.

### 3.3. Configuration of Test System Details

#### Conducted Emission



#### Radiated Emissions



Devices Description					
	Product	Manufacturer	Model Number	Serial Number	Power Cord
(1)	AC Adapter	HUAWEI	HW-059200CHQ	K68247G9609507	Shielded, 0.8 m



### 3.4. Test Instruments

For Conducted Emission

Test Period: Aug. 05, 2021

Equipment	Manufacturer	Model Number	Serial Number	Cal. Date	Cal. Period
Test Receiver	R&S	ESR3	101923	09/01/2020	1 year
LISN	R&S	ENV216	101942	09/01/2020	1 year
ISN	TESEQ	ISN T800	39216	09/01/2020	1 year
RF Cable	EMCI	EMCCFD400	433LFC	09/01/2020	1 year
Test Site	ATL	CE	CE	N.C.R.	-----

For Radiated Emissions

Test Period: Jul. 23 ~ Jul. 31, 2021

Equipment	Manufacturer	Model Number	Serial Number	Cal. Date	Cal. Period
Preamplifier	EMCI	EMC001330	980300	09/01/2020	1 year
Preamplifier	EMCI	EMC012645SE	980318	09/01/2020	1 year
Bilog Antenna	Schwarzbeck	VULB 9168	672	10/15/2020	1 year
Horn Antenna	ETS	3117	00204949	10/15/2020	1 year
Receiver	Keysight	N9038A	MY51210179	09/01/2020	1 year
Cable	EMCI	N/A	1066LFC	09/01/2020	1 year
Cable	EMCI	N/A	160719	09/01/2020	1 year
Test Site	OuHeng	MFAC3M	RE-026	02/23/2021	1 year

Note: N.C.R. = No Calibration Request.



Measurement Software	
CE	EZ-EMC Ver. ATL-03A1-1
RE	EZ-EMC Ver ATL-ITC-3A1-1 (for Conducted Emission)

For Conducted

Test Period: Jul. 23 ~ Jul. 31, 2021

Equipment	Manufacturer	Model Number	Serial Number	Cal. Date	Cal. Period
Power Sensor	Anritsu	MA2411B	1126022	09/01/2020	1 year
Power Meter	Anritsu	ML2495A	1135009	09/01/2020	1 year
Spectrum Analyzer (3 Hz~13.2 GHz)	Agilent	E4445A	MY45300744	10/24/2020	1 year
Microwave Cable	EMCI	EMC104-SM-SM-1 500	140303	09/01/2020	1 year
Spectrum Analyzer (9 kHz~26.5 GHz)	Agilent	E4408B	MY45107753	10/24/2020	1 year
Test Site	ATL	TE05	TE05	N.C.R.	----

Note: N.C.R. = No Calibration Request.

### 3.5. Test Site Environment

Items	Required (IEC 60068-1)	Actual
Temperature (°C)	15-35	26
Humidity (%RH)	25-75	60
Barometric pressure (mbar)	860-1060	950

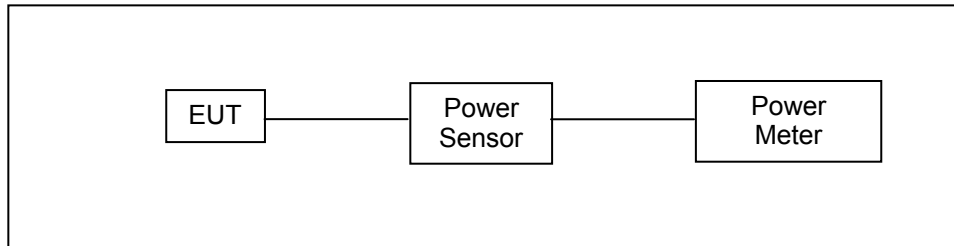
## 4 Measurement Procedure

### 4.1. Maximum Conducted Output Power Measurement

#### ■ Limit

For frequency hopping systems operating in the 2400–2483.5 MHz band employing at least 75 non-overlapping hopping channels < 0.125 watt.

#### ■ Test Setup



#### ■ Test Procedure

Testing must be done according to this procedure, FCC Public Notice DA 00-705 - Filing and Measurement Guidelines for Frequency Hopping Spread Spectrum Systems. This is the only method recognized by the FCC. The tests below are run with the EUT's transmitter set at high power in TX mode. The EUT is needed to force selection of output power level and channel number. While testing, EUT was set to transmit continuously. Remove the Subjective device's antenna and connect the RF output port to power sensor. The maximum peak output power shall not exceed 1 watt.

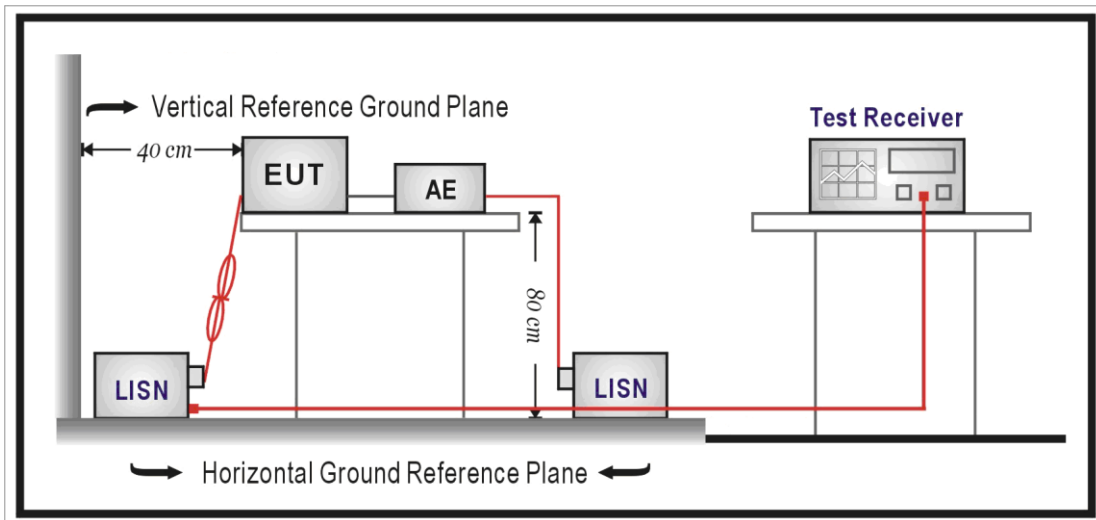
Use a direct connection between the antenna port of transmitter and the power sensor, for prevent the power sensor input attenuation 40-50 dB. Set the RBW Bandwidth of the emission or use a channel power meter mode. For antennas with gains of 6 dBi or less, maximum allowed transmitter output is 1 watt (+30 dBm). For antennas with gains greater than 6 dBi, transmitter output level must be decreased by an amount equal to  $(\text{GAIN} - 6)/3$  dBm. The antenna port of the EUT was connected to the input of a power sensor. Power was read directly and cable loss correction was added to the reading to obtain power at the EUT antenna terminals.

## 4.2. AC Power Line Conducted Emission Measurement

### ■ Limit

Frequency (MHz)	Quasi-peak	Average
0.15 - 0.5	66 to 56	56 to 46
0.50 - 5.0	56	46
5.0 - 30.0	60	50

### ■ Test Setup



#### ■ Test Procedure

The EUT and simulators are connected to the main power through a line impedance stabilization network (L.I.S.N.). This provides a  $50\Omega//50\mu\text{H}$  coupling impedance for the measuring equipment. The peripheral devices are also connected to the main power through a LISN that provides a  $50\Omega//50\mu\text{H}$  coupling impedance with 50ohm termination.

Tabletop device shall be placed on a non-conducting platform, of nominal size 1 m by 1.5 m, raised 80 cm above the reference ground plane. The wall of screened room shall be located 40cm to the rear of the EUT. Other surfaces of tabletop or floor standing EUT shall be at least 80cm from any other ground conducting surface including one or more LISNs. For floor-standing device shall be placed under the EUT with a 12mm insulating material.

Conducted emissions were investigated over the frequency range from 0.15 MHz to 30 MHz using a resolution bandwidth of 9 kHz. The equipment under test (EUT) shall be meet the limits in section 4.1, as applicable, including the average limit and the quasi-peak limit when using respectively, an average detector and quasi-peak detector measured in accordance with the methods described of related standard. When all of peak value were complied with quasi-peak and average limit from 150kHz to 30MHz then quasi-peak and average measurement was unnecessary.

The AMN shall be placed 0,8 m from the boundary of the unit under test and bonded to a ground reference plane for AMNs mounted on top of the ground reference plane. This distance is between the closest points of the AMN and the EUT. All other units of the EUT and associated equipment shall be at least 0,8 m from the AMN. If the mains power cable is longer than 1m then the cable shall be folded back and forth at the centre of the lead to form a bundle no longer than 0.4m. All of interconnecting cables that hang closer than 40cm to the ground plane shall be folded back and forth in the center forming a bundle 30 cm to 40 cm long. All of EUT and AE shall be separate place more than 0.1m. All  $50\Omega$  ports of the LISN shall be resistively terminated into  $50\Omega$  loads when not connected to the measuring instrument.

If the reading of the measuring receiver shows fluctuations close to the limit, the reading shall be observed for at least 15 s at each measurement frequency; the higher reading shall be recorded with the exception of any brief isolated high reading which shall be ignored.

### 4.3. Radiated Emission Measurement

■ **Limit**

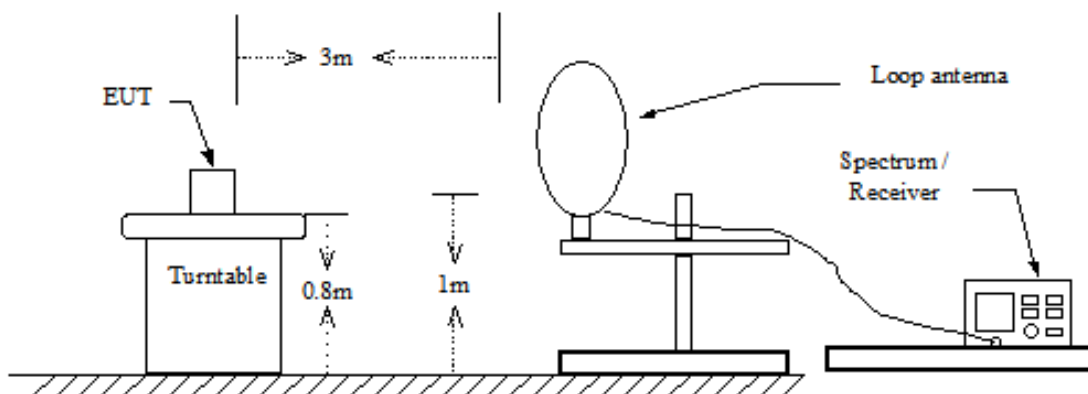
According to §15.209(a), except as provided elsewhere in this subpart, the emissions from an intentional radiator shall not exceed the field strength levels specified in the following table:

Frequency (MHz)	Field Strength ( $\mu\text{V}/\text{m}$ at meter)	Measurement Distance (meters)
0.009 – 0.490	2400 / F (kHz)	300
0.490 – 1.705	24000 / F (kHz)	30
1.705 – 30.0	30	30
30 - 88	100**	3
88-216	150**	3
216-960	200**	3
Above 960	500	3

\*\* Except as provided in paragraph (g), fundamental emissions from intentional radiators operating under this Section shall not be located in the frequency bands 54-72 MHz, 76-88 MHz, 174-216 MHz or 470-806 MHz. However, operation within these frequency bands is permitted under other sections of this Part, e.g., Sections 15.231 and 15.241.

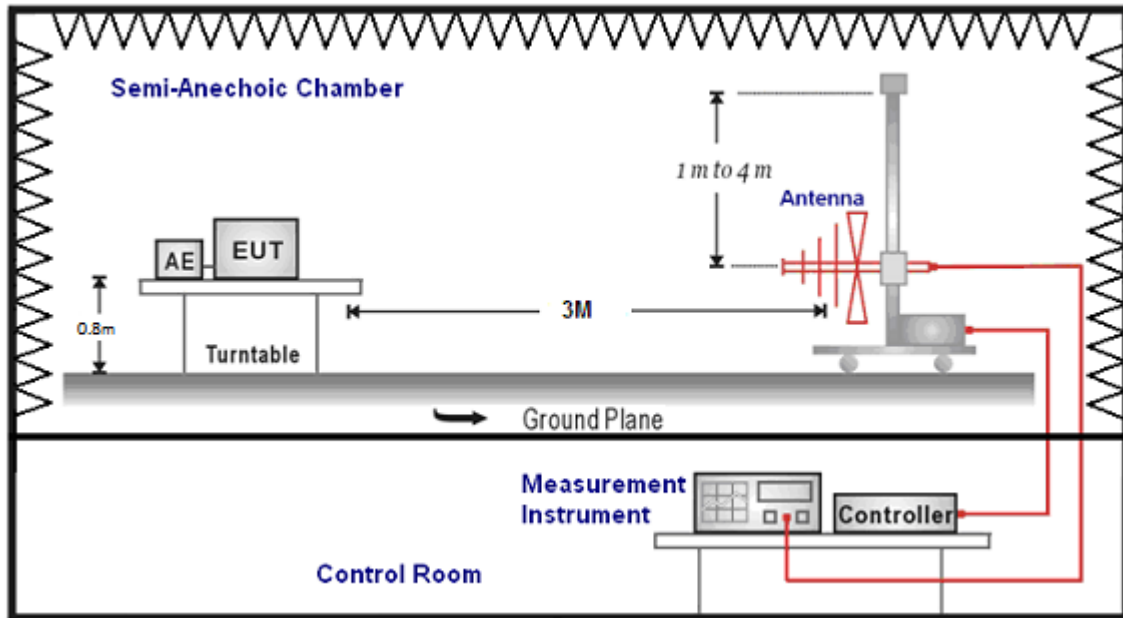
■ **Setup**

9kHz ~ 30MHz

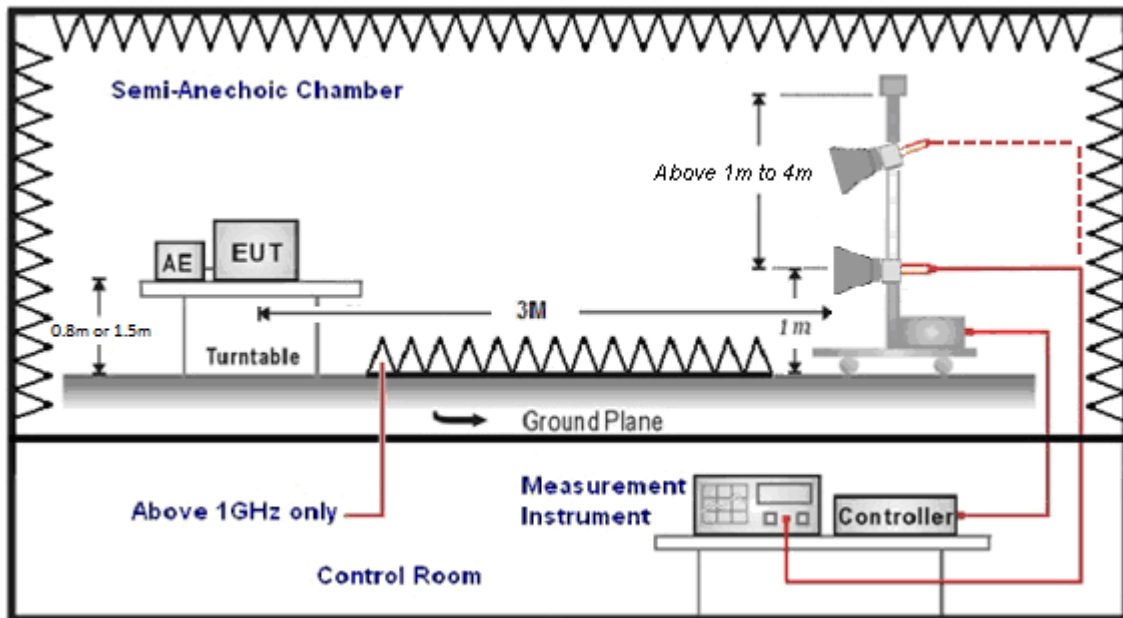




Below 1GHz



Above 1GHz



## ■ Test Procedure

Final radiation measurements were made on a three-meter, Semi Anechoic Chamber. The EUT system was placed on a nonconductive turntable which is 0.8 or 1.5 meters height, top surface 1.0 x 1.5 meter. The spectrum was examined from 250 MHz to 2.5 GHz in order to cover the whole spectrum below 10th harmonic which could generate from the EUT. During the test, EUT was set to transmit continuously & Measurements spectrum range from 9 kHz to 26.5 GHz is investigated.

For measurements below 1 GHz the resolution bandwidth is set to 100 kHz for peak detection measurements or 120 kHz for quasi-peak detection measurements. Peak detection is used unless otherwise noted as quasi-peak.

For measurements above 1 GHz the resolution bandwidth is set to 1 MHz, and then the video bandwidth is set to 1 MHz for peak measurements and 10 Hz for average measurements.

A nonconductive material surrounded the EUT to supporting the EUT for standing on three orthogonal planes. At each condition, the EUT was rotated 360 degrees, and the antenna was raised and lowered from one to four meters to find the maximum emission levels. Measurements were taken using both horizontal and vertical antenna polarization.

SCHWARZBECK MESS-ELEKTRONIK Biconilog Antenna at 3 Meter and the SCHWARZBECK Double Ridged Guide Antenna was used in frequencies 1 – 26.5 GHz at a distance of 1 meter. All test results were extrapolated to equivalent signal at 3 meters utilizing an inverse linear distance extrapolation Factor (20dB/decade).

For testing above 1GHz, the emission level of the EUT in peak mode was 20dB lower than average limit (that means the emission level in peak mode also complies with the limit in average mode), then testing will be stopped and peak values of EUT will be reported, otherwise, the emissions will be measured in average mode again and reported.

Appropriate preamplifiers were used for improving sensitivity and precautions were taken to avoid overloading or desensitizing the spectrum analyzer. No post – detector video filters were used in the test.

The spectrum analyzer's 6 dB bandwidth was set to 1 MHz, and the analyzer was operated in the peak detection mode, for frequencies both below and up 1 GHz. The average levels were obtained by subtracting the duty cycle correction factor from the peak readings.

The following procedures were used to convert the emission levels measured in decibels referenced to 1 microvolt (dBuV) into field intensity in micro volts per meter (uV/m).

The actual field intensity in decibels referenced to 1 microvolt in to field intensity in micro volts per meter (dBuV/m).

The actual field intensity in referenced to 1 microvolt per meter (dBuV/m) is determined by algebraically adding the measured reading in dBuV, the antenna factor (dB), and cable loss (dB) and Subtracting the gain of preamplifier (dB) is auto calculate in spectrum analyzer.

$$(1) \text{ Amplitude (dBuV/m) = FI (dBuV) + AF (dBuV) + CL (dBuV) - Gain (dB)}$$

FI= Reading of the field intensity.

AF= Antenna factor.

CL= Cable loss.

P.S Amplitude is auto calculate in spectrum analyzer.

$$(2) \text{ Actual Amplitude (dBuV/m) = Amplitude (dBuV) - Dis(dB)}$$

The FCC specified emission limits were calculated according the EUT operating frequency and by following linear interpolation equations:

(a) For fundamental frequency : Transmitter Output < +30dBm

(b) For spurious frequency : Spurious emission limits = fundamental emission limit /10

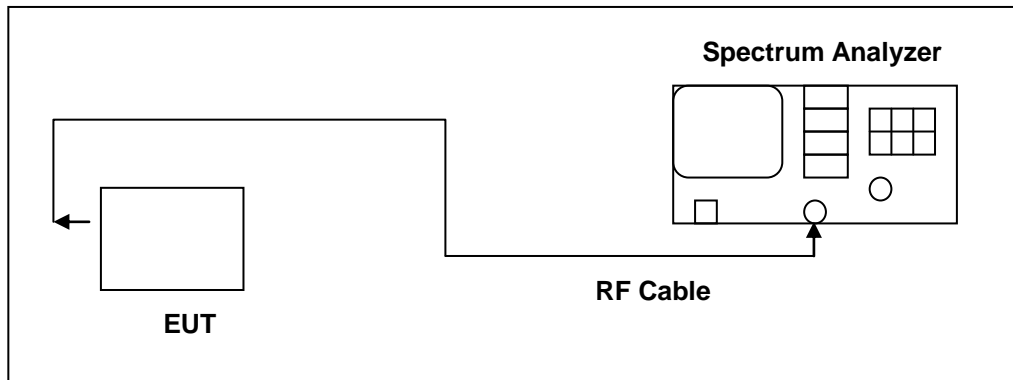
Data of measurement within this frequency range without mark in the table above means the reading of emissions are attenuated more than 20dB below the permissible limits or the field strength is too small to be measured.

#### 4.4. 20dB RF Bandwidth Measurement

■ **Limit**

N/A

■ **Test Setup**



■ **Test Procedure**

Testing must be done according to this procedure, FCC Public Notice DA 00-705 - Filing and Measurement Guidelines for Frequency Hopping Spread Spectrum Systems. This is the only method recognized by the FCC. The RF output port of the Equipment-Under-Test is directly coupled to the input of the EMC analyzer through a specialized RF connector and a 10dB passive attenuator. A fully charged battery was used for the supply voltage. The Bluetooth frequency hopping function of the EUT was enabled. The spectrum analyzer used the following settings:

1. Span = approx. 2 to 3 times the 20dB bandwidth, centered on a hopping frequency
2. RBW  $\geq$  1% of the 20dB span
3. VBW  $\geq$  RBW
4. Sweep = auto
5. Detector function = peak
6. Trace = max hold

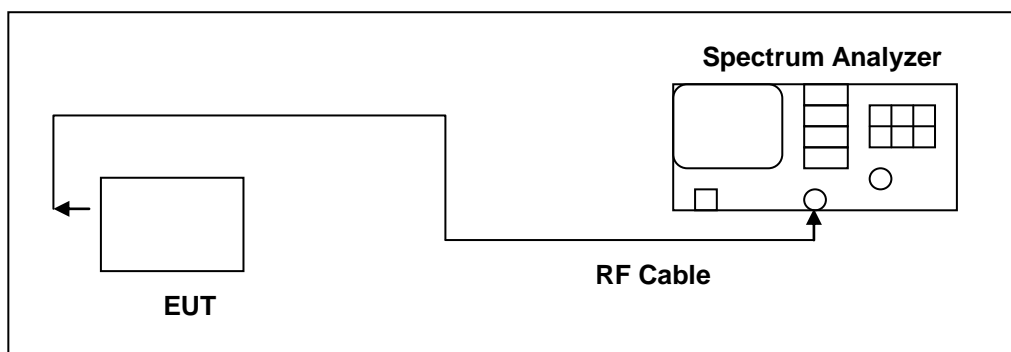
The trace was allowed to stabilize. The EUT was transmitting at its maximum data rate. The marker-to-peak function was used to set the marker to the peak of the emission. The marker-delta function was used to measure 20dB down one side of the emission. The marker-delta function and marker was moved to the other side of the emission until it was even with the reference marker. The marker-delta reading at this point was the 20dB bandwidth of the emission.

## 4.5. Carrier Frequency Separation Measurement

### ■ Limit

Title 47 of the CFR, Part 15 Subpart (c) 15.247(a)(1) requires the measurement of the bandwidth of the transmission between the -20 dB points on the transmitted spectrum. The results of this test determine the limits for channel spacing. The channel spacing shall be a minimum of 25 kHz or the 20 dB bandwidth, whichever is greater. Alternatively, frequency hopping systems operating in the 2400-2483.5 MHz band may have hopping channel carrier frequencies that are separated by 25 kHz or two-thirds of the 20 dB bandwidth of the hopping channel.

### ■ Test Setup



### ■ Test Procedure

Testing must be done according to this procedure, FCC Public Notice DA 00-705 - Filing and Measurement Guidelines for Frequency Hopping Spread Spectrum Systems. This is the only method recognized by the FCC. The RF output port of the Equipment-Under-Test is directly coupled to the input of the EMC analyzer through a specialized RF connector and a 10dB passive attenuator. A fully charged battery was used for the supply voltage. The Bluetooth frequency hopping function of the EUT was enabled. The following spectrum analyzer settings were used:

1. Span = wide enough to capture the peaks of two adjacent channels
2. Resolution (or IF) Bandwidth (RBW)  $\geq$  1% of the span
3. Video (or Average) Bandwidth (VBW)  $\geq$  RBW
4. Sweep = auto
5. Detector function = peak
6. Trace = max hold

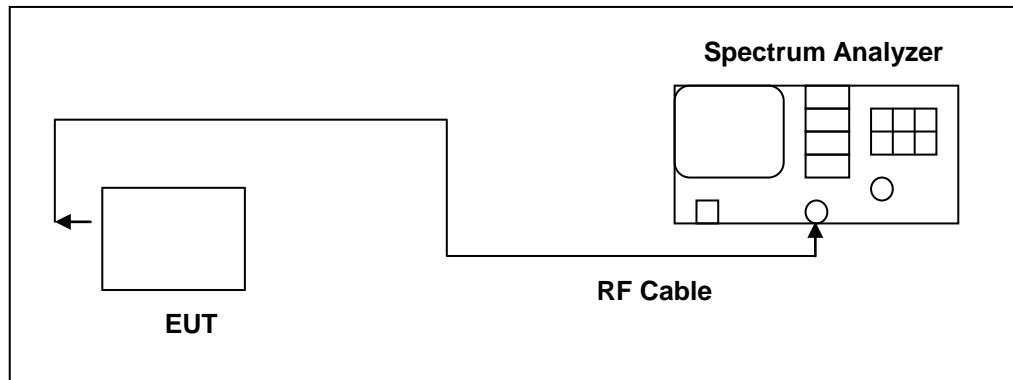
The trace was allowed to stabilize. The marker-delta function was used to determine the separation between the peaks of the adjacent channels.

## 4.6. Number of Hopping Measurement

### ■ Limit

Frequency hopping systems in the 2400–2483.5 MHz band shall use at least 15 channels.

### ■ Test Setup



### ■ Test Procedure

Testing must be done according to this procedure, FCC Public Notice DA 00-705 - Filing and Measurement Guidelines for Frequency Hopping Spread Spectrum Systems. This is the only method recognized by the FCC. The RF output port of the Equipment-Under-Test is directly coupled to the input of the EMC analyzer through a specialized RF connector and a 10dB passive attenuator. A fully charged battery was used for the supply voltage. The Bluetooth frequency hopping function of the EUT was enabled. The spectrum analyzer used the following settings:

1. Span = the frequency band of operation
2. RBW  $\geq$  1% of the span
3. VBW  $\geq$  RBW
4. Sweep = auto
5. Detector function = peak
6. Trace = max hold

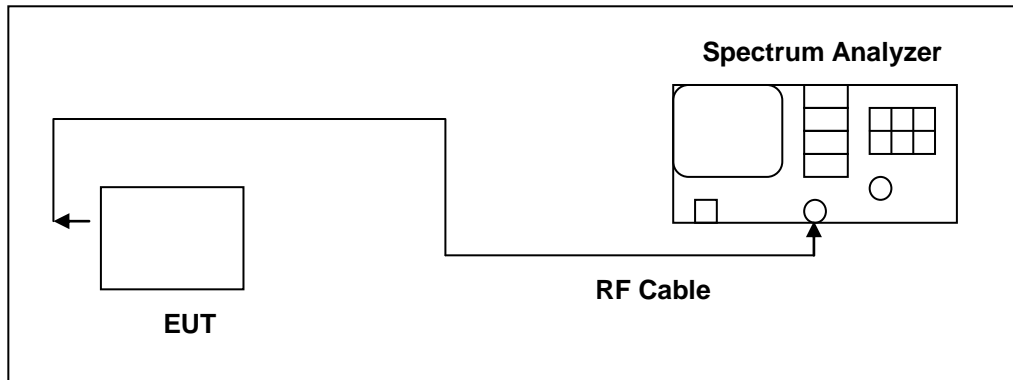
The trace was allowed to stabilize.

## 4.7. Time of Occupancy (Dwell Time) Measurement

### ■ Limit

The average time of occupancy on any channel shall not be greater than 0.4 seconds within a period of 0.4 seconds multiplied by the number of hopping channels employed.

### ■ Test Setup



### ■ Test Procedure

Testing must be done according to this procedure, FCC Public Notice DA 00-705 - Filing and Measurement Guidelines for Frequency Hopping Spread Spectrum Systems. This is the only method recognized by the FCC. The RF output port of the Equipment-Under-Test is directly coupled to the input of the spectrum through a specialized RF connector and a 10dB passive attenuator. A fully charged battery was used for the supply voltage. The Bluetooth hopping function of the EUT was enabled. The following spectrum analyzer settings were used:

1. Span = zero span, centered on a hopping channel
2. RBW = 1 MHz
3. VBW  $\geq$  RBW
4. Sweep = as necessary to capture the entire dwell time per hopping channel
5. Detector function = peak
6. Trace = max hold

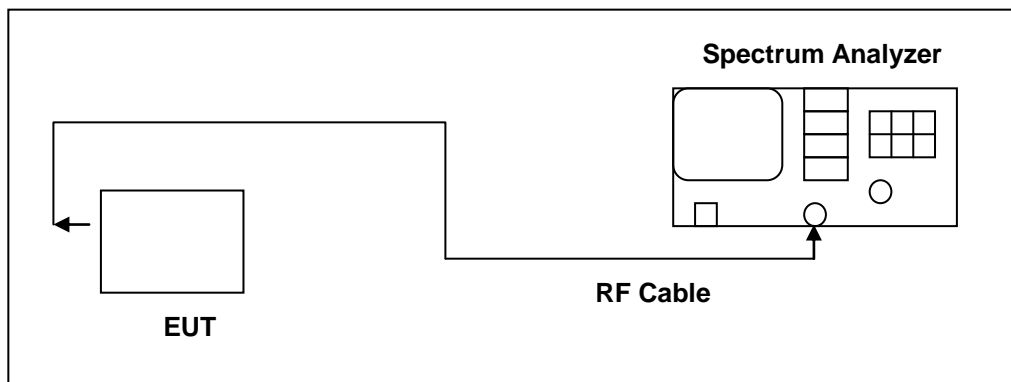
The marker-delta function was used to determine the dwell time.

## 4.8. Out of Band Conducted Emissions Measurement

### ■ Limit

In any 100 kHz bandwidth outside the frequency band in which the spread spectrum or digitally modulated intentional radiator is operating, the radio frequency power that is produced by the intentional radiator shall be at least 20 dB below that in the 100 kHz bandwidth within the band that contains the highest level of the desired power

### ■ Test Setup



### ■ Test Procedure

Testing must be done according to this procedure, FCC Public Notice DA 00-705 - Filing and Measurement Guidelines for Frequency Hopping Spread Spectrum Systems. This is the only method recognized by the FCC. In any 100 kHz bandwidth outside the EUT pass band, the RF power produced by the modulation products of the spreading sequence, the information sequence, and the carrier frequency shall be at least 20 dB below that of the maximum in-band 100 kHz emission, antenna output of the EUT was coupled directly to spectrum analyzer; if an external attenuator and/or cable was used, these losses are compensated for with the analyzer OFFSET function. All other types of emissions from the EUT shall meet the general limits for radiated frequencies outside the pass band. The test was performed at 3 channels (Channel 0, 39, 78)

## 4.9. Antenna Measurement

### ■ Limit

For intentional device, according to 15.203, an intentional radiator shall be designed to ensure that no antenna other than that furnished by the responsible party shall be used with the device.

And According to 15.247 (b)(4), if transmitting antennas of directional gain greater than 6 dBi are used, the power shall be reduced by the amount in dB that the directional gain of the antenna exceeds 6dBi.

### ■ Antenna Connector Construction

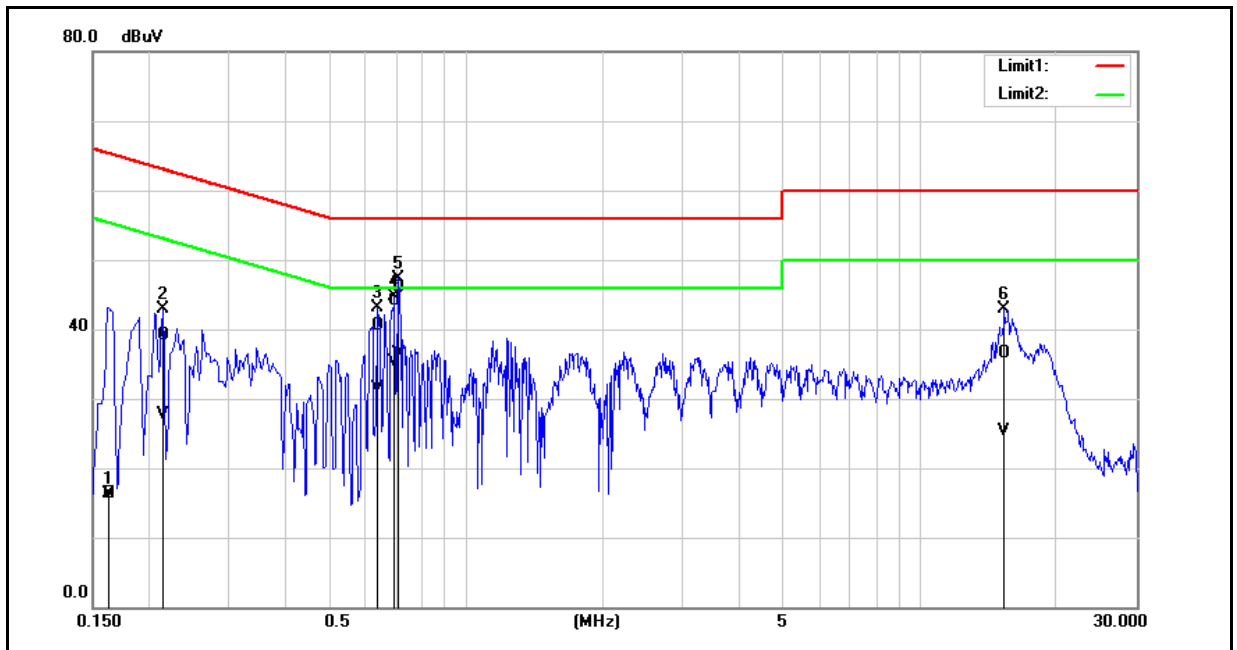
See section 2 – antenna information.



## 5 Test Results

### Annex A. Conducted Emission

Standard:	FCC Part 15.247	Line:	L1
Test item:	Conducted Emission	Power:	AC 120 V/60 Hz
Test Mode:	Mode 1	Temp.(°C)/Hum.(%RH):	26(°C)/60 %RH
Description:			



No.	Frequency (MHz)	QP reading (dBuV)	AVG reading (dBuV)	Correction factor (dB)	QP result (dBuV)	AVG result (dBuV)	QP limit (dBuV)	AVG limit (dBuV)	QP margin (dB)	AVG margin (dB)	Remark
1	0.1624	6.71	6.71	9.68	16.39	16.39	65.34	55.34	-48.95	-38.95	Pass
2	0.2140	29.38	18.08	9.69	39.07	27.77	63.05	53.05	-23.98	-25.28	Pass
3	0.6380	30.76	21.74	9.73	40.49	31.47	56.00	46.00	-15.51	-14.53	Pass
4	0.6940	34.39	25.59	9.73	44.12	35.32	56.00	46.00	-11.88	-10.68	Pass
5	0.7060	36.13	26.82	9.72	45.85	36.54	56.00	46.00	-10.15	-9.46	Pass
6	15.3460	26.34	15.25	10.15	36.49	25.40	60.00	50.00	-23.51	-24.60	Pass

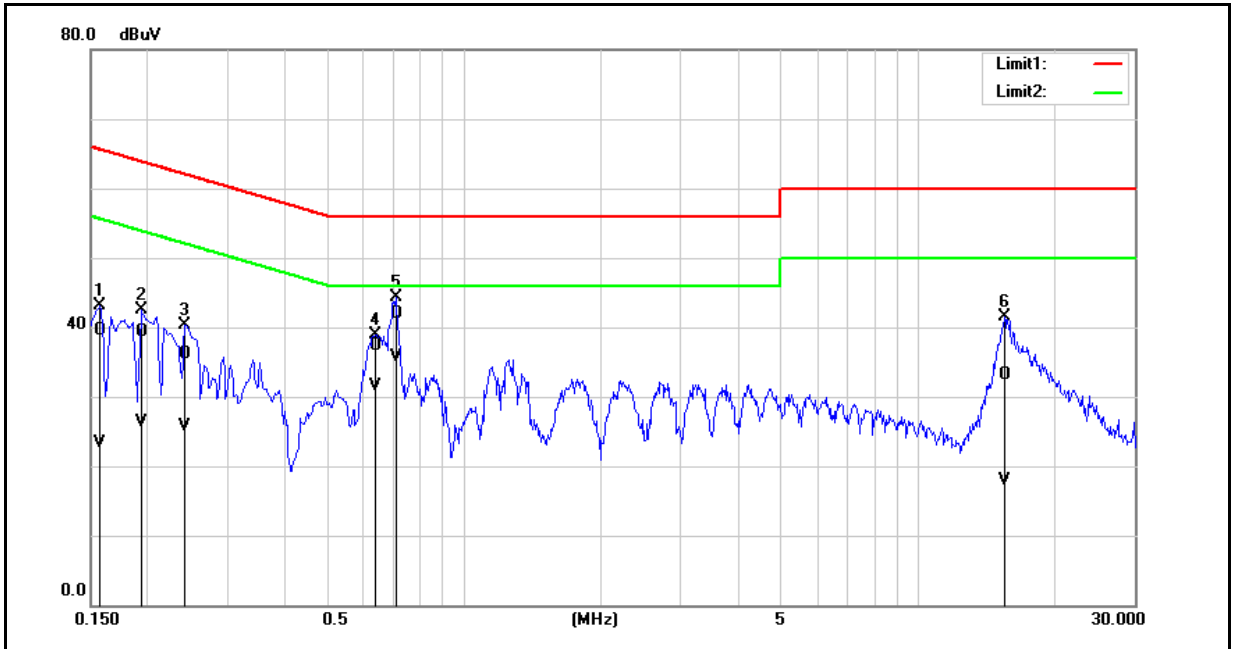
Note: 1. Result (dBuV/m) = Correct Factor (dB/m) + Reading(dBuV).

For Example: 16.39=9.68+6.71

2. Correction factor (dB) = Cable loss (dB) + L.I.S.N. factor (dB).



Standard:	FCC Part 15.247	Line:	N
Test item:	Conducted Emission	Power:	AC 120 V/60 Hz
Test Mode:	Mode 1	Temp.(°C)/Hum.(%RH):	26(°C)/60 %RH
Description:			



No.	Frequency (MHz)	QP reading (dBuV)	AVG reading (dBuV)	Correction factor (dB)	QP result (dBuV)	AVG result (dBuV)	QP limit (dBuV)	AVG limit (dBuV)	QP margin (dB)	AVG margin (dB)	Remark
1	0.1580	29.87	13.62	9.67	39.54	23.29	65.57	55.57	-26.03	-32.28	Pass
2	0.1940	29.54	16.62	9.68	39.22	26.30	63.86	53.86	-24.64	-27.56	Pass
3	0.2420	26.38	16.10	9.69	36.07	25.79	62.03	52.03	-25.96	-26.24	Pass
4	0.6340	27.60	21.71	9.72	37.32	31.43	56.00	46.00	-18.68	-14.57	Pass
5	0.7060	32.21	26.07	9.71	41.92	35.78	56.00	46.00	-14.08	-10.22	Pass
6	15.5340	22.92	7.72	10.17	33.09	17.89	60.00	50.00	-26.91	-32.11	Pass

Note: 1. Result (dBuV/m) = Correct Factor (dB/m) + Reading(dBuV).

2. Correction factor (dB) = Cable loss (dB) + L.I.S.N. factor (dB).

## Annex B. Conducted Test Results

### Maximum Conducted Output Power Measurement

Test Mode	Frequency (MHz)	Packet Type	Average Power		Peak Power		Limit (W)
			(dBm)	(W)	(dBm)	(W)	
Mode 2	2402	DH1	-14.65	0.00003	<b>-12.64</b>	<b>0.00005</b>	< 0.125
		DH3	-14.85	0.00003	-13.47	0.00004	< 0.125
		DH5	-14.50	0.00004	-13.13	0.00005	< 0.125
	2441	DH1	-15.42	0.00003	-13.38	0.00005	< 0.125
		DH3	-14.79	0.00003	-13.62	0.00004	< 0.125
		DH5	-15.11	0.00003	-13.81	0.00004	< 0.125
	2480	DH1	-15.58	0.00003	-14.16	0.00004	< 0.125
		DH3	-16.59	0.00002	-15.20	0.00003	< 0.125
		DH5	-16.42	0.00002	-15.26	0.00003	< 0.125
Mode 3	2402	2DH1	-15.85	0.00003	<b>-11.44</b>	<b>0.00007</b>	< 0.125
		2DH3	-16.52	0.00002	-13.08	0.00005	< 0.125
		2DH5	-16.75	0.00002	-12.74	0.00005	< 0.125
	2441	2DH1	-16.59	0.00002	-13.10	0.00005	< 0.125
		2DH3	-17.24	0.00002	-13.73	0.00004	< 0.125
		2DH5	-17.54	0.00002	-13.47	0.00004	< 0.125
	2480	2DH1	-17.22	0.00002	-14.05	0.00004	< 0.125
		2DH3	-18.09	0.00002	-14.64	0.00003	< 0.125
		2DH5	-17.87	0.00002	-14.31	0.00004	< 0.125
Mode 4	2402	3DH1	-15.84	0.00003	-12.33	0.00006	< 0.125
		3DH3	-16.06	0.00002	-12.96	0.00005	< 0.125
		3DH5	-16.18	0.00002	-12.54	<b>0.00006</b>	< 0.125
	2441	3DH1	-16.96	0.00002	-13.00	0.00005	< 0.125
		3DH3	-17.23	0.00002	-12.65	0.00005	< 0.125
		3DH5	-16.89	0.00002	-13.28	0.00005	< 0.125
	2480	3DH1	-17.83	0.00002	-13.90	0.00004	< 0.125
		3DH3	-18.09	0.00002	-14.50	0.00004	< 0.125
		3DH5	-17.96	0.00002	-14.24	0.00004	< 0.125

Note: The relevant measured result has the offset with cable loss already.



**20dB RF Bandwidth Measurement**

Test Mode	Frequency (MHz)	Measurement Results (MHz)
Mode 2	2402	0.786
	2441	0.787
	2480	0.788
Mode 4	2402	1.189
	2441	1.191
	2480	1.192



■ Test Graphs

Mode 2: GFSK Continuous TX mode	
2402 MHz	<p>Center Freq: 2.402 GHz #Res BW: 30 kHz #VBW: 100 kHz Span: 3 MHz Sweep: 3.2 ms</p> <p>Occupied Bandwidth: 759.99 kHz Total Power: 9.89 dBm Transmit Freq Error: -149.68 kHz % of OBW Power: 99.00 % x dB Bandwidth: 785.7 kHz x dB: -20.00 dB</p>
2441 MHz	<p>Center Freq: 2.441 GHz #Res BW: 30 kHz #VBW: 100 kHz Span: 3 MHz Sweep: 3.2 ms</p> <p>Occupied Bandwidth: 764.51 kHz Total Power: 9.16 dBm Transmit Freq Error: -50.770 kHz % of OBW Power: 99.00 % x dB Bandwidth: 786.5 kHz x dB: -20.00 dB</p>
2480 MHz	<p>Center Freq: 2.480 GHz #Res BW: 30 kHz #VBW: 100 kHz Span: 3 MHz Sweep: 3.2 ms</p> <p>Occupied Bandwidth: 767.02 kHz Total Power: 7.96 dBm Transmit Freq Error: -52.075 kHz % of OBW Power: 99.00 % x dB Bandwidth: 787.7 kHz x dB: -20.00 dB</p>



Mode 4: 8DPSK Continuous TX mode	
<p>2402 MHz</p>	<p>Keysight Spectrum Analyzer - Occupied BW</p> <p>Center Freq: 2.40200000 GHz</p> <p>Occupied Bandwidth: <b>1.116 MHz</b></p> <p>Total Power: 3.33 dBm</p> <p>Transmit Freq Error: -58.183 kHz</p> <p>x dB Bandwidth: 1.189 MHz</p> <p>% of OBW Power: 99.00 %</p> <p>x dB: -20.00 dB</p>
<p>2441 MHz</p>	<p>Keysight Spectrum Analyzer - Occupied BW</p> <p>Center Freq: 2.441000000 GHz</p> <p>Occupied Bandwidth: <b>1.1148 MHz</b></p> <p>Total Power: 2.53 dBm</p> <p>Transmit Freq Error: -58.678 kHz</p> <p>x dB Bandwidth: 1.191 MHz</p> <p>% of OBW Power: 99.00 %</p> <p>x dB: -20.00 dB</p>
<p>2480 MHz</p>	<p>Keysight Spectrum Analyzer - Occupied BW</p> <p>Center Freq: 2.480000000 GHz</p> <p>Occupied Bandwidth: <b>1.1194 MHz</b></p> <p>Total Power: 1.63 dBm</p> <p>Transmit Freq Error: -59.139 kHz</p> <p>x dB Bandwidth: 1.192 MHz</p> <p>% of OBW Power: 99.00 %</p> <p>x dB: -20.00 dB</p>

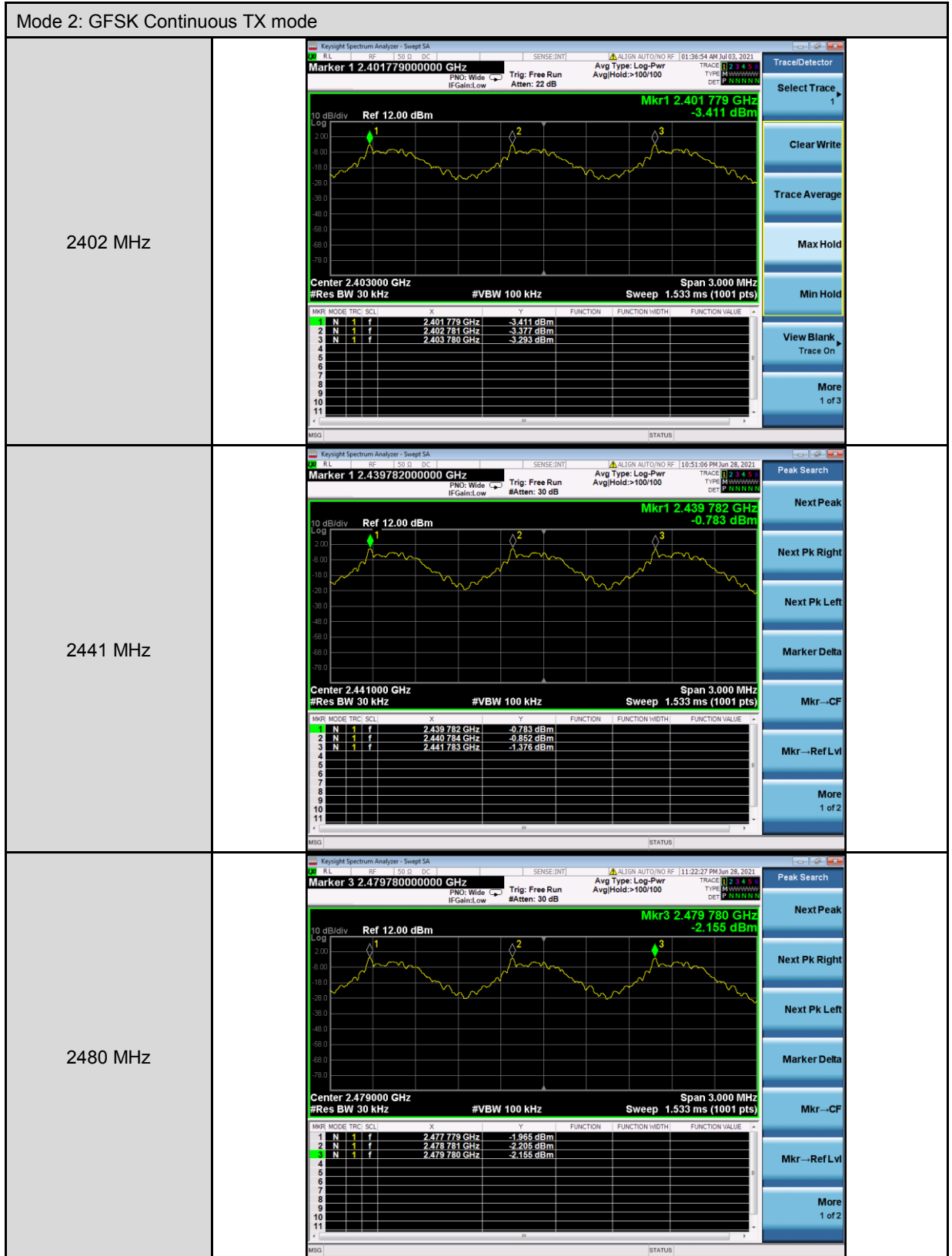


**Carrier Frequency Separation Measurement**

Test Mode	Frequency (MHz)	Measurement Results (MHz)	Limit (MHz)
Mode 2	2402	1.000	> 0.524
	2441	1.000	> 0.525
	2480	1.000	> 0.525
Mode 4	2402	1.000	> 0.793
	2441	1.000	> 0.794
	2480	1.000	> 0.795



■ Test Graphs





Mode 4: 8DPSK Continuous TX mode																																					
<p>2402 MHz</p>	<p>Marker 1 2.401779000000 GHz</p> <p>Mkr1 2.401 779 GHz -5.689 dBm</p> <p>Center 2.403000 GHz #Res BW 30 kHz #VBW 100 kHz Span 3.000 MHz Sweep 1.533 ms (1001 pts)</p> <table border="1"> <thead> <tr> <th>MARKER</th> <th>MODE</th> <th>TRF</th> <th>SCL</th> <th>X</th> <th>Y</th> <th>FUNCTION</th> <th>FUNCTION WIDTH</th> <th>FUNCTION VALUE</th> </tr> </thead> <tbody> <tr> <td>1</td> <td>N</td> <td>1</td> <td>f</td> <td>2.401 779 GHz</td> <td>-5.689 dBm</td> <td></td> <td></td> <td></td> </tr> <tr> <td>2</td> <td>N</td> <td>1</td> <td>f</td> <td>2.402 781 GHz</td> <td>-3.188 dBm</td> <td></td> <td></td> <td></td> </tr> <tr> <td>3</td> <td>N</td> <td>1</td> <td>f</td> <td>2.403 780 GHz</td> <td>-5.530 dBm</td> <td></td> <td></td> <td></td> </tr> </tbody> </table>	MARKER	MODE	TRF	SCL	X	Y	FUNCTION	FUNCTION WIDTH	FUNCTION VALUE	1	N	1	f	2.401 779 GHz	-5.689 dBm				2	N	1	f	2.402 781 GHz	-3.188 dBm				3	N	1	f	2.403 780 GHz	-5.530 dBm			
MARKER	MODE	TRF	SCL	X	Y	FUNCTION	FUNCTION WIDTH	FUNCTION VALUE																													
1	N	1	f	2.401 779 GHz	-5.689 dBm																																
2	N	1	f	2.402 781 GHz	-3.188 dBm																																
3	N	1	f	2.403 780 GHz	-5.530 dBm																																
<p>2441 MHz</p>	<p>Marker 3 2.441777000000 GHz</p> <p>Mkr3 2.441 777 GHz -5.924 dBm</p> <p>Center 2.441000 GHz #Res BW 30 kHz #VBW 100 kHz Span 3.000 MHz Sweep 1.533 ms (1001 pts)</p> <table border="1"> <thead> <tr> <th>MARKER</th> <th>MODE</th> <th>TRF</th> <th>SCL</th> <th>X</th> <th>Y</th> <th>FUNCTION</th> <th>FUNCTION WIDTH</th> <th>FUNCTION VALUE</th> </tr> </thead> <tbody> <tr> <td>1</td> <td>N</td> <td>1</td> <td>f</td> <td>2.439 776 GHz</td> <td>-5.410 dBm</td> <td></td> <td></td> <td></td> </tr> <tr> <td>2</td> <td>N</td> <td>1</td> <td>f</td> <td>2.440 778 GHz</td> <td>-6.394 dBm</td> <td></td> <td></td> <td></td> </tr> <tr> <td>3</td> <td>N</td> <td>1</td> <td>f</td> <td>2.441 777 GHz</td> <td>-5.924 dBm</td> <td></td> <td></td> <td></td> </tr> </tbody> </table>	MARKER	MODE	TRF	SCL	X	Y	FUNCTION	FUNCTION WIDTH	FUNCTION VALUE	1	N	1	f	2.439 776 GHz	-5.410 dBm				2	N	1	f	2.440 778 GHz	-6.394 dBm				3	N	1	f	2.441 777 GHz	-5.924 dBm			
MARKER	MODE	TRF	SCL	X	Y	FUNCTION	FUNCTION WIDTH	FUNCTION VALUE																													
1	N	1	f	2.439 776 GHz	-5.410 dBm																																
2	N	1	f	2.440 778 GHz	-6.394 dBm																																
3	N	1	f	2.441 777 GHz	-5.924 dBm																																
<p>2480 MHz</p>	<p>Marker 1 2.477773000000 GHz</p> <p>Mkr1 2.477 773 GHz -6.391 dBm</p> <p>Center 2.479000 GHz #Res BW 30 kHz #VBW 100 kHz Span 3.000 MHz Sweep 1.533 ms (1001 pts)</p> <table border="1"> <thead> <tr> <th>MARKER</th> <th>MODE</th> <th>TRF</th> <th>SCL</th> <th>X</th> <th>Y</th> <th>FUNCTION</th> <th>FUNCTION WIDTH</th> <th>FUNCTION VALUE</th> </tr> </thead> <tbody> <tr> <td>1</td> <td>N</td> <td>1</td> <td>f</td> <td>2.477 773 GHz</td> <td>-6.391 dBm</td> <td></td> <td></td> <td></td> </tr> <tr> <td>2</td> <td>N</td> <td>1</td> <td>f</td> <td>2.478 778 GHz</td> <td>-6.295 dBm</td> <td></td> <td></td> <td></td> </tr> <tr> <td>3</td> <td>N</td> <td>1</td> <td>f</td> <td>2.479 777 GHz</td> <td>-4.020 dBm</td> <td></td> <td></td> <td></td> </tr> </tbody> </table>	MARKER	MODE	TRF	SCL	X	Y	FUNCTION	FUNCTION WIDTH	FUNCTION VALUE	1	N	1	f	2.477 773 GHz	-6.391 dBm				2	N	1	f	2.478 778 GHz	-6.295 dBm				3	N	1	f	2.479 777 GHz	-4.020 dBm			
MARKER	MODE	TRF	SCL	X	Y	FUNCTION	FUNCTION WIDTH	FUNCTION VALUE																													
1	N	1	f	2.477 773 GHz	-6.391 dBm																																
2	N	1	f	2.478 778 GHz	-6.295 dBm																																
3	N	1	f	2.479 777 GHz	-4.020 dBm																																



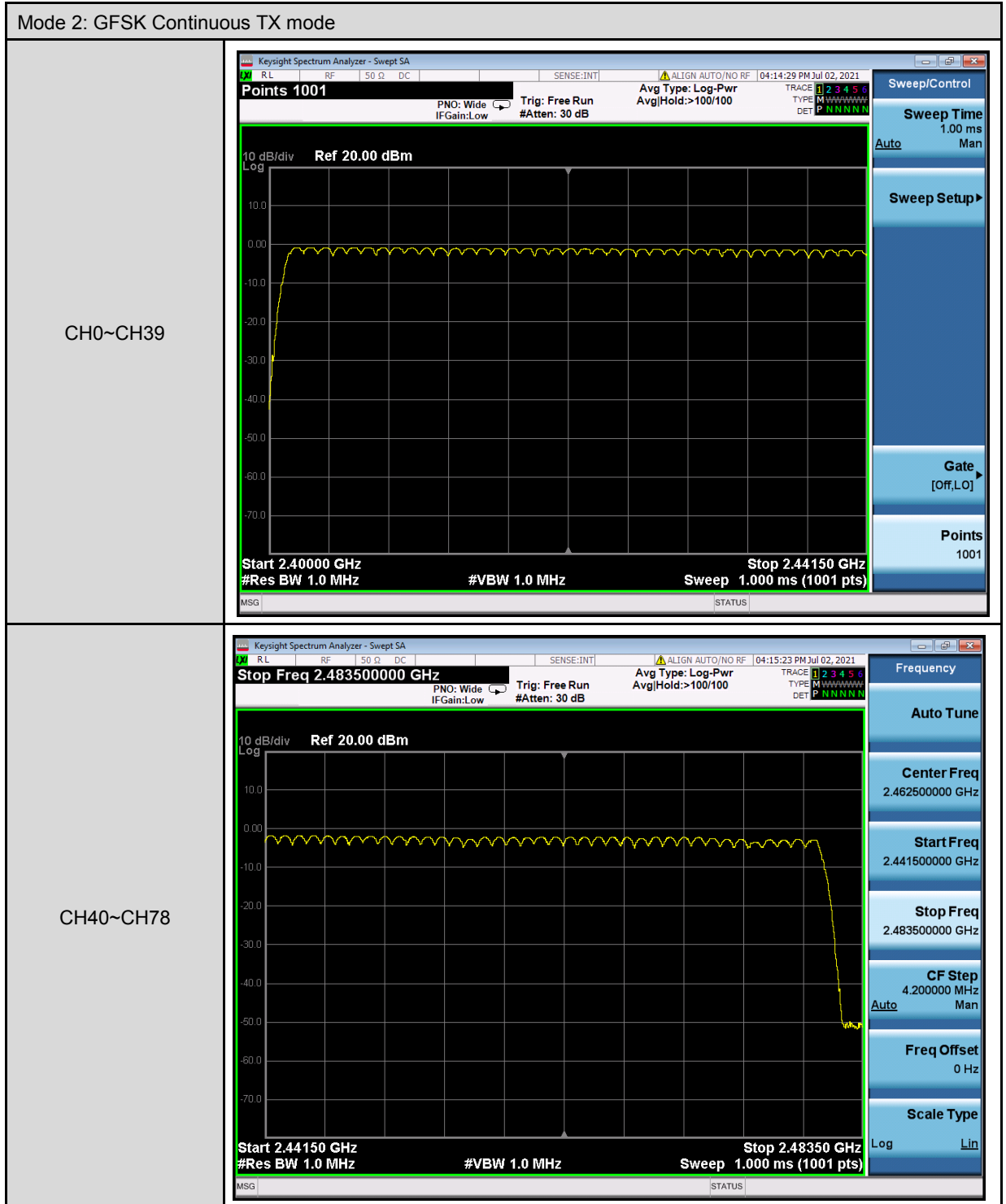


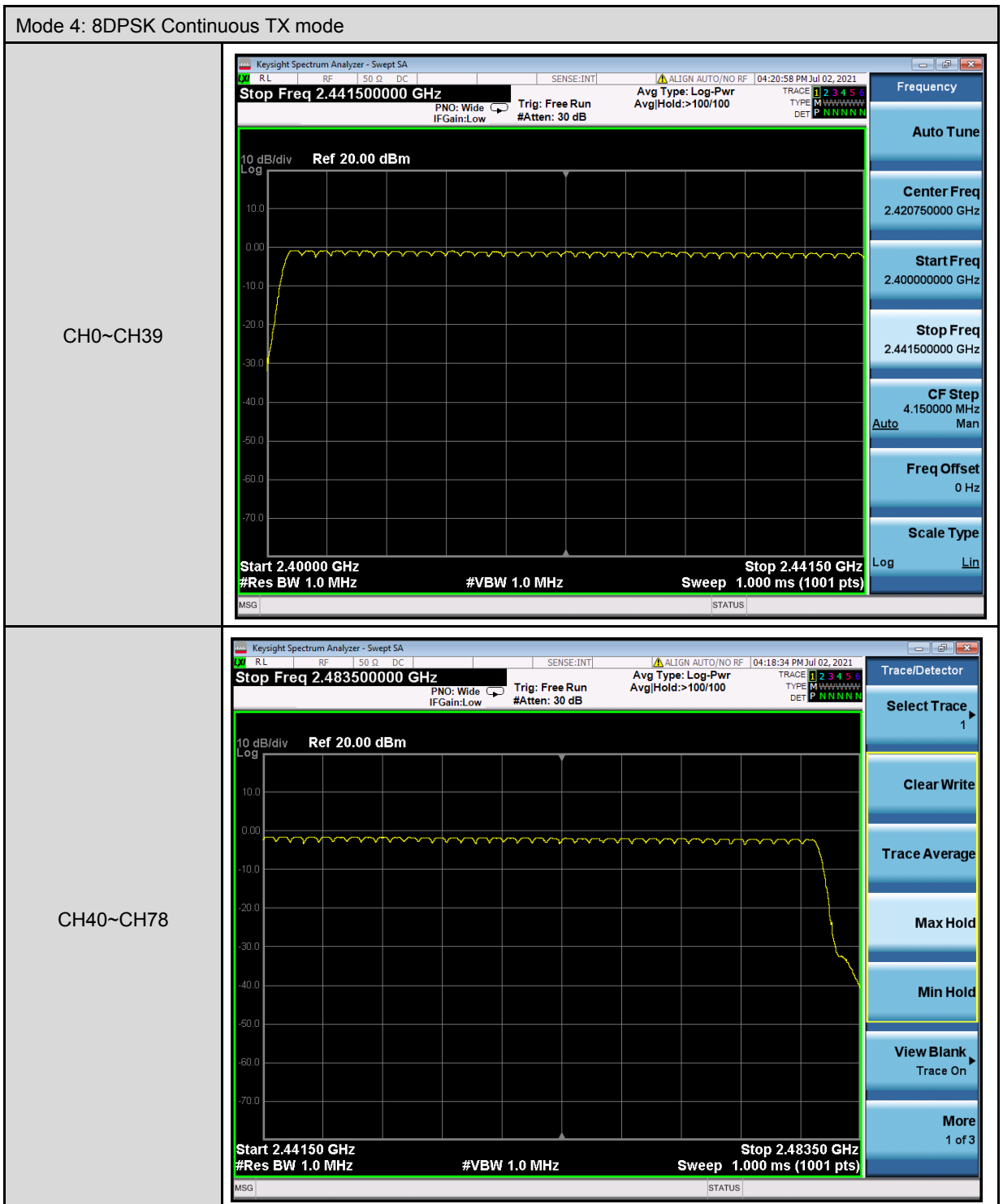
**Number of Hopping Measurement**

Test Mode	Frequency Range (MHz)	Measurement Results (Ch)	Limit (ch)
Mode 2	2402 - 2480	79	> 15
Mode 3	2402 - 2480	79	> 15
Mode 4	2402 - 2480	79	> 15



■ Test Graphs







**Time of Occupancy (Dwell Time) Measurement**

Mode 2: GFSK Continuous TX mode	
DH1	
Cycle Calculate	$79CH * 0.4 = 31.6 \text{ (sec)}$
The EUT Hopping Number per Sec	1600 times/sec
Each Channel Dwell Times per Sec	$800/79CH = 10.13(\text{times/sec})$
Each Channel Dwell Times on Cycle(1)	$31.6 * 10.13 = 320.108(\text{times})$
Each Channel Dwell Times (2)	0.433 ms (sec)
Dwell Times on Cycle (1) * (2)	138.607 ms (sec)
LIMIT(msec)	$< = 400$
DH3	
Cycle Calculate	$79CH * 0.4 = 31.6 \text{ (sec)}$
The EUT Hopping Number per Sec	1600 times/sec
Each Channel Dwell Times per Sec	$400/79CH = 5.1(\text{times/sec})$
Each Channel Dwell Times on Cycle(1)	$31.6 * 5.1 = 161.16(\text{times})$
Each Channel Dwell Times (2)	1.708 ms (sec)
Dwell Times on Cycle (1) * (2)	273.102 ms (sec)
LIMIT(msec)	$< = 400$
DH5	
Cycle Calculate	$79CH * 0.4 = 31.6 \text{ (sec)}$
The EUT Hopping Number per Sec	1600 times/sec
Each Channel Dwell Times per Sec	$266.7/79CH = 3.37(\text{times/sec})$
Each Channel Dwell Times on Cycle(1)	$31.6 * 3.37 = 106.492(\text{times})$
Each Channel Dwell Times (2)	2.982 ms (sec)
Dwell Times on Cycle (1) * (2)	318.501 ms (sec)
LIMIT(msec)	$< = 400$



Mode 4: 8DPSK Continuous TX mode	
<b>3DH1</b>	
Cycle Calculate	$79CH * 0.4 = 31.6 \text{ (sec)}$
The EUT Hopping Number per Sec	1600 times/sec
Each Channel Dwell Times per Sec	$800/79CH = 10.13 \text{ (times/sec)}$
Each Channel Dwell Times on Cycle(1)	$31.6 * 10.13 = 320.108 \text{ (times)}$
Each Channel Dwell Times (2)	0.422 ms (sec)
Dwell Times on Cycle (1) * (2)	141.488 ms (sec)
LIMIT(msec)	$< = 400$
<b>3DH3</b>	
Cycle Calculate	$79CH * 0.4 = 31.6 \text{ (sec)}$
The EUT Hopping Number per Sec	1600 times/sec
Each Channel Dwell Times per Sec	$400/79CH = 5.1 \text{ (times/sec)}$
Each Channel Dwell Times on Cycle(1)	$31.6 * 5.1 = 161.16 \text{ (times)}$
Each Channel Dwell Times (2)	1.700 ms (sec)
Dwell Times on Cycle (1) * (2)	271.823 ms (sec)
LIMIT(msec)	$< = 400$
<b>3DH5</b>	
Cycle Calculate	$79CH * 0.4 = 31.6 \text{ (sec)}$
The EUT Hopping Number per Sec	1600 times/sec
Each Channel Dwell Times per Sec	$266.7/79CH = 3.37 \text{ (times/sec)}$
Each Channel Dwell Times on Cycle(1)	$31.6 * 3.37 = 106.492 \text{ (times)}$
Each Channel Dwell Times (2)	2.968 ms (sec)
Dwell Times on Cycle (1) * (2)	317.006 ms (sec)
LIMIT(msec)	$< = 400$



■ Test Graphs

Mode 2: GFSK Continuous TX mode	
DH1	
DH3	
DH5	



Mode 4: 8DPSK Continuous TX mode	
3DH1	 <p>Marker 1 <math>\Delta</math> 441.667 <math>\mu</math>s Avg Type: Log-Pwr <math>\Delta</math>Mkr1 441.7 <math>\mu</math>s 1.69 dB</p> <p>Center 2.402000000 GHz Res BW 1.0 MHz #VBW 1.0 MHz Sweep 8.333 ms (1001 pts)</p>
3DH3	 <p>Marker 1 <math>\Delta</math> 1.70000 ms Avg Type: Log-Pwr <math>\Delta</math>Mkr1 1.700 ms -0.58 dB</p> <p>Center 2.402000000 GHz Res BW 1.0 MHz #VBW 1.0 MHz Sweep 8.333 ms (1001 pts)</p>
3DH5	 <p>Marker 1 <math>\Delta</math> 2.96800 ms Avg Type: Log-Pwr <math>\Delta</math>Mkr1 2.968 ms -1.28 dB</p> <p>Center 2.402000000 GHz Res BW 1.0 MHz #VBW 1.0 MHz Sweep 14.00 ms (1001 pts)</p>



Out of Band Conducted Emissions Measurement

■ Test Graphs

Mode 2: GFSK Continuous TX mode																																														
<p>2402 MHz</p>	<table border="1"> <thead> <tr> <th>MNR</th> <th>MODE</th> <th>TRC</th> <th>SCL</th> <th>X</th> <th>Y</th> <th>FUNCTION</th> <th>FUNCTION WIDTH</th> <th>FUNCTION VALUE</th> </tr> </thead> <tbody> <tr> <td>1</td> <td>N</td> <td>1</td> <td>f</td> <td>2.402 4 GHz</td> <td>-13.207 dBm</td> <td></td> <td></td> <td></td> </tr> <tr> <td>2</td> <td>N</td> <td>1</td> <td>f</td> <td>7.206 0 GHz</td> <td>-38.006 dBm</td> <td></td> <td></td> <td></td> </tr> <tr> <td>3</td> <td>N</td> <td>1</td> <td>f</td> <td>9.608 8 GHz</td> <td>-57.609 dBm</td> <td></td> <td></td> <td></td> </tr> </tbody> </table>	MNR	MODE	TRC	SCL	X	Y	FUNCTION	FUNCTION WIDTH	FUNCTION VALUE	1	N	1	f	2.402 4 GHz	-13.207 dBm				2	N	1	f	7.206 0 GHz	-38.006 dBm				3	N	1	f	9.608 8 GHz	-57.609 dBm												
MNR	MODE	TRC	SCL	X	Y	FUNCTION	FUNCTION WIDTH	FUNCTION VALUE																																						
1	N	1	f	2.402 4 GHz	-13.207 dBm																																									
2	N	1	f	7.206 0 GHz	-38.006 dBm																																									
3	N	1	f	9.608 8 GHz	-57.609 dBm																																									
<p>2441 MHz</p>	<table border="1"> <thead> <tr> <th>MNR</th> <th>MODE</th> <th>TRC</th> <th>SCL</th> <th>X</th> <th>Y</th> <th>FUNCTION</th> <th>FUNCTION WIDTH</th> <th>FUNCTION VALUE</th> </tr> </thead> <tbody> <tr> <td>1</td> <td>N</td> <td>1</td> <td>f</td> <td>2.441 4 GHz</td> <td>-14.112 dBm</td> <td></td> <td></td> <td></td> </tr> <tr> <td>2</td> <td>N</td> <td>1</td> <td>f</td> <td>7.322 5 GHz</td> <td>-38.249 dBm</td> <td></td> <td></td> <td></td> </tr> <tr> <td>3</td> <td>N</td> <td>1</td> <td>f</td> <td>9.763 7 GHz</td> <td>-59.188 dBm</td> <td></td> <td></td> <td></td> </tr> <tr> <td>4</td> <td>N</td> <td>1</td> <td>f</td> <td>9.638 5 MHz</td> <td>-53.638 dBm</td> <td></td> <td></td> <td></td> </tr> </tbody> </table>	MNR	MODE	TRC	SCL	X	Y	FUNCTION	FUNCTION WIDTH	FUNCTION VALUE	1	N	1	f	2.441 4 GHz	-14.112 dBm				2	N	1	f	7.322 5 GHz	-38.249 dBm				3	N	1	f	9.763 7 GHz	-59.188 dBm				4	N	1	f	9.638 5 MHz	-53.638 dBm			
MNR	MODE	TRC	SCL	X	Y	FUNCTION	FUNCTION WIDTH	FUNCTION VALUE																																						
1	N	1	f	2.441 4 GHz	-14.112 dBm																																									
2	N	1	f	7.322 5 GHz	-38.249 dBm																																									
3	N	1	f	9.763 7 GHz	-59.188 dBm																																									
4	N	1	f	9.638 5 MHz	-53.638 dBm																																									
<p>2480 MHz</p>	<table border="1"> <thead> <tr> <th>MNR</th> <th>MODE</th> <th>TRC</th> <th>SCL</th> <th>X</th> <th>Y</th> <th>FUNCTION</th> <th>FUNCTION WIDTH</th> <th>FUNCTION VALUE</th> </tr> </thead> <tbody> <tr> <td>1</td> <td>N</td> <td>1</td> <td>f</td> <td>2.480 6 GHz</td> <td>-15.014 dBm</td> <td></td> <td></td> <td></td> </tr> <tr> <td>2</td> <td>N</td> <td>1</td> <td>f</td> <td>7.439 6 GHz</td> <td>-41.239 dBm</td> <td></td> <td></td> <td></td> </tr> <tr> <td>3</td> <td>N</td> <td>1</td> <td>f</td> <td>4.980 0 GHz</td> <td>-58.420 dBm</td> <td></td> <td></td> <td></td> </tr> <tr> <td>4</td> <td>N</td> <td>1</td> <td>f</td> <td>9.028 8 MHz</td> <td>-39.733 dBm</td> <td></td> <td></td> <td></td> </tr> </tbody> </table>	MNR	MODE	TRC	SCL	X	Y	FUNCTION	FUNCTION WIDTH	FUNCTION VALUE	1	N	1	f	2.480 6 GHz	-15.014 dBm				2	N	1	f	7.439 6 GHz	-41.239 dBm				3	N	1	f	4.980 0 GHz	-58.420 dBm				4	N	1	f	9.028 8 MHz	-39.733 dBm			
MNR	MODE	TRC	SCL	X	Y	FUNCTION	FUNCTION WIDTH	FUNCTION VALUE																																						
1	N	1	f	2.480 6 GHz	-15.014 dBm																																									
2	N	1	f	7.439 6 GHz	-41.239 dBm																																									
3	N	1	f	4.980 0 GHz	-58.420 dBm																																									
4	N	1	f	9.028 8 MHz	-39.733 dBm																																									

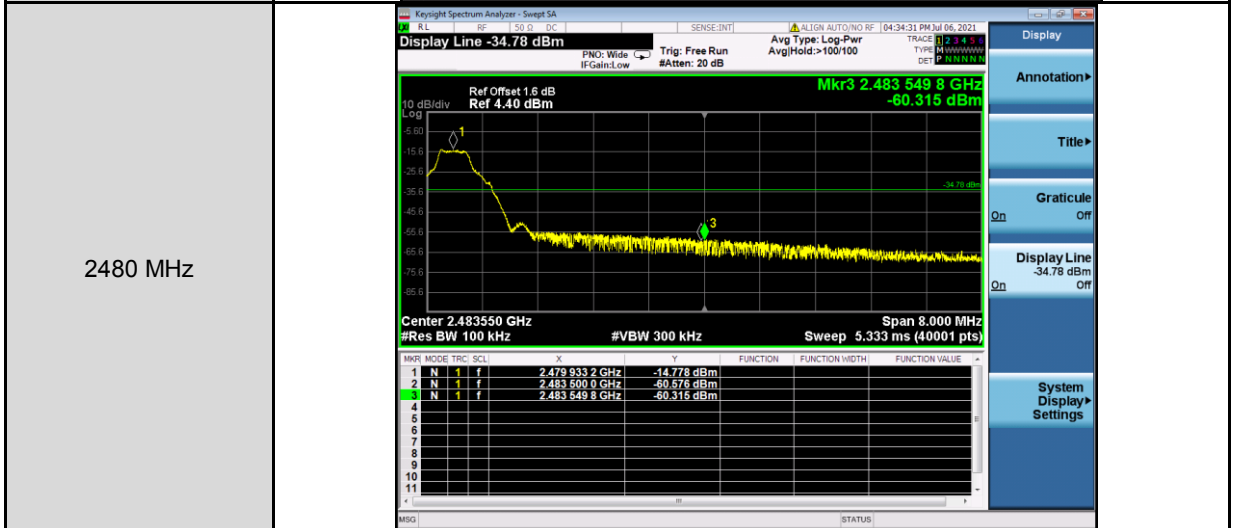
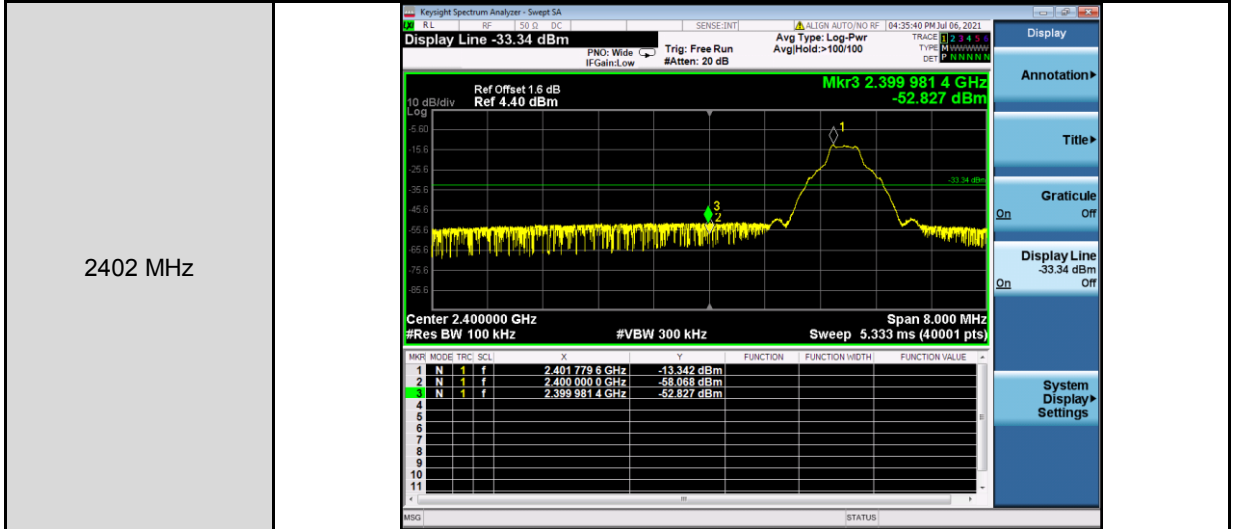




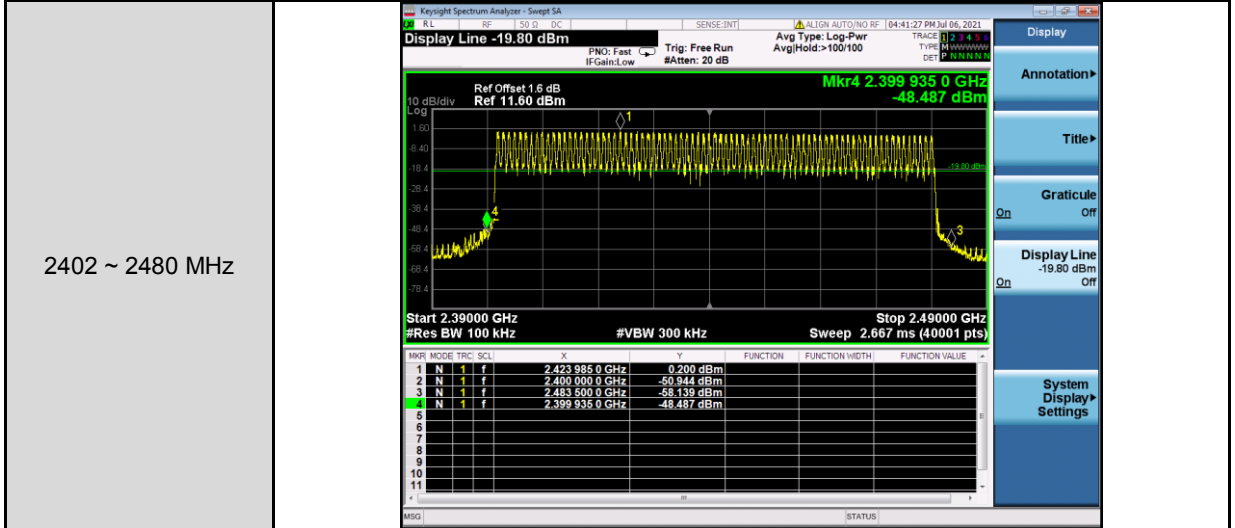
Mode 4: 8DPSK Continuous TX mode																																														
2402 MHz	<table border="1"> <thead> <tr> <th>MNR</th> <th>MODE</th> <th>TRC</th> <th>SCL</th> <th>X</th> <th>Y</th> <th>FUNCTION</th> <th>FUNCTION WIDTH</th> <th>FUNCTION VALUE</th> </tr> </thead> <tbody> <tr> <td>1</td> <td>N</td> <td>1</td> <td>f</td> <td>2.402 4 GHz</td> <td>-13.293 dBm</td> <td></td> <td></td> <td></td> </tr> <tr> <td>2</td> <td>N</td> <td>1</td> <td>f</td> <td>7.206 0 GHz</td> <td>-34.289 dBm</td> <td></td> <td></td> <td></td> </tr> <tr> <td>3</td> <td>N</td> <td>1</td> <td>f</td> <td>9.608 2 GHz</td> <td>-51.067 dBm</td> <td></td> <td></td> <td></td> </tr> <tr> <td>4</td> <td>N</td> <td>1</td> <td>f</td> <td>948.5 MHz</td> <td>-58.159 dBm</td> <td></td> <td></td> <td></td> </tr> </tbody> </table>	MNR	MODE	TRC	SCL	X	Y	FUNCTION	FUNCTION WIDTH	FUNCTION VALUE	1	N	1	f	2.402 4 GHz	-13.293 dBm				2	N	1	f	7.206 0 GHz	-34.289 dBm				3	N	1	f	9.608 2 GHz	-51.067 dBm				4	N	1	f	948.5 MHz	-58.159 dBm			
MNR	MODE	TRC	SCL	X	Y	FUNCTION	FUNCTION WIDTH	FUNCTION VALUE																																						
1	N	1	f	2.402 4 GHz	-13.293 dBm																																									
2	N	1	f	7.206 0 GHz	-34.289 dBm																																									
3	N	1	f	9.608 2 GHz	-51.067 dBm																																									
4	N	1	f	948.5 MHz	-58.159 dBm																																									
2441 MHz	<table border="1"> <thead> <tr> <th>MNR</th> <th>MODE</th> <th>TRC</th> <th>SCL</th> <th>X</th> <th>Y</th> <th>FUNCTION</th> <th>FUNCTION WIDTH</th> <th>FUNCTION VALUE</th> </tr> </thead> <tbody> <tr> <td>1</td> <td>N</td> <td>1</td> <td>f</td> <td>2.443 4 GHz</td> <td>-14.689 dBm</td> <td></td> <td></td> <td></td> </tr> <tr> <td>2</td> <td>N</td> <td>1</td> <td>f</td> <td>7.329 8 GHz</td> <td>-38.587 dBm</td> <td></td> <td></td> <td></td> </tr> <tr> <td>3</td> <td>N</td> <td>1</td> <td>f</td> <td>9.772 3 GHz</td> <td>-53.624 dBm</td> <td></td> <td></td> <td></td> </tr> <tr> <td>4</td> <td>N</td> <td>1</td> <td>f</td> <td>948.5 MHz</td> <td>-58.447 dBm</td> <td></td> <td></td> <td></td> </tr> </tbody> </table>	MNR	MODE	TRC	SCL	X	Y	FUNCTION	FUNCTION WIDTH	FUNCTION VALUE	1	N	1	f	2.443 4 GHz	-14.689 dBm				2	N	1	f	7.329 8 GHz	-38.587 dBm				3	N	1	f	9.772 3 GHz	-53.624 dBm				4	N	1	f	948.5 MHz	-58.447 dBm			
MNR	MODE	TRC	SCL	X	Y	FUNCTION	FUNCTION WIDTH	FUNCTION VALUE																																						
1	N	1	f	2.443 4 GHz	-14.689 dBm																																									
2	N	1	f	7.329 8 GHz	-38.587 dBm																																									
3	N	1	f	9.772 3 GHz	-53.624 dBm																																									
4	N	1	f	948.5 MHz	-58.447 dBm																																									
2480 MHz	<table border="1"> <thead> <tr> <th>MNR</th> <th>MODE</th> <th>TRC</th> <th>SCL</th> <th>X</th> <th>Y</th> <th>FUNCTION</th> <th>FUNCTION WIDTH</th> <th>FUNCTION VALUE</th> </tr> </thead> <tbody> <tr> <td>1</td> <td>N</td> <td>1</td> <td>f</td> <td>2.480 5 GHz</td> <td>-15.133 dBm</td> <td></td> <td></td> <td></td> </tr> <tr> <td>2</td> <td>N</td> <td>1</td> <td>f</td> <td>7.439 6 GHz</td> <td>-41.155 dBm</td> <td></td> <td></td> <td></td> </tr> <tr> <td>3</td> <td>N</td> <td>1</td> <td>f</td> <td>4.960 0 GHz</td> <td>-58.203 dBm</td> <td></td> <td></td> <td></td> </tr> <tr> <td>4</td> <td>N</td> <td>1</td> <td>f</td> <td>948.5 MHz</td> <td>-54.097 dBm</td> <td></td> <td></td> <td></td> </tr> </tbody> </table>	MNR	MODE	TRC	SCL	X	Y	FUNCTION	FUNCTION WIDTH	FUNCTION VALUE	1	N	1	f	2.480 5 GHz	-15.133 dBm				2	N	1	f	7.439 6 GHz	-41.155 dBm				3	N	1	f	4.960 0 GHz	-58.203 dBm				4	N	1	f	948.5 MHz	-54.097 dBm			
MNR	MODE	TRC	SCL	X	Y	FUNCTION	FUNCTION WIDTH	FUNCTION VALUE																																						
1	N	1	f	2.480 5 GHz	-15.133 dBm																																									
2	N	1	f	7.439 6 GHz	-41.155 dBm																																									
3	N	1	f	4.960 0 GHz	-58.203 dBm																																									
4	N	1	f	948.5 MHz	-54.097 dBm																																									



Mode 2: GFSK Continuous TX mode \_ Un-hopping

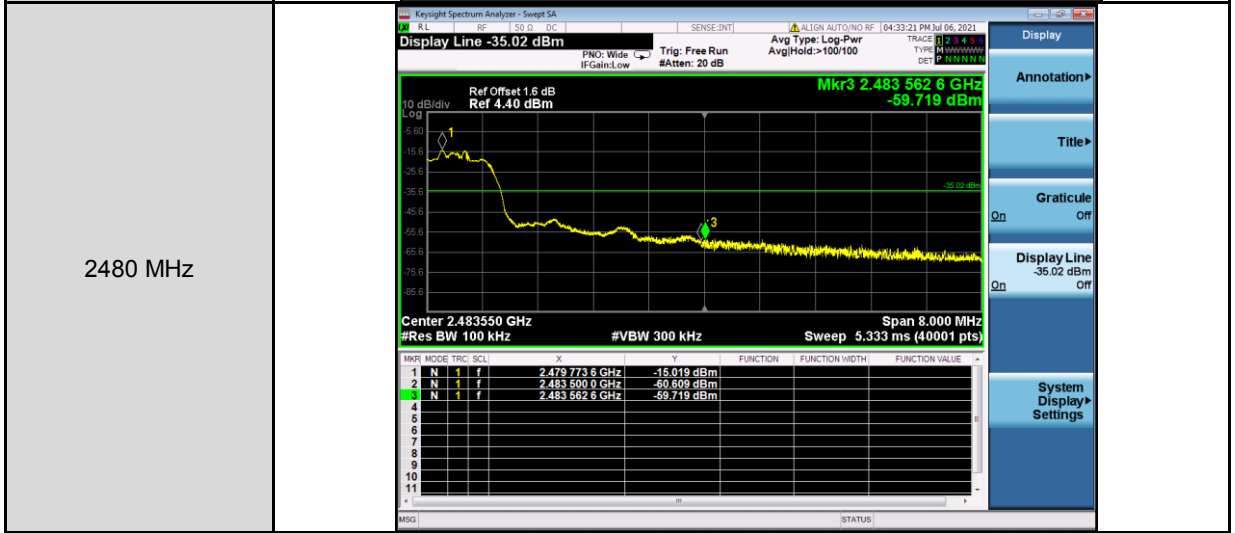
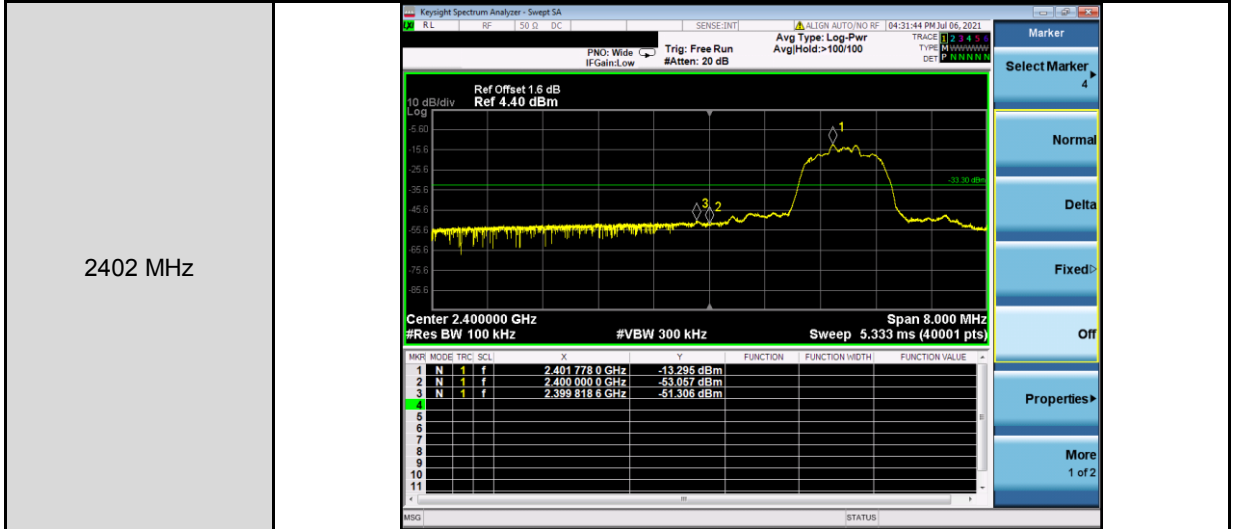


Mode 2: GFSK Continuous TX mode \_ Hopping

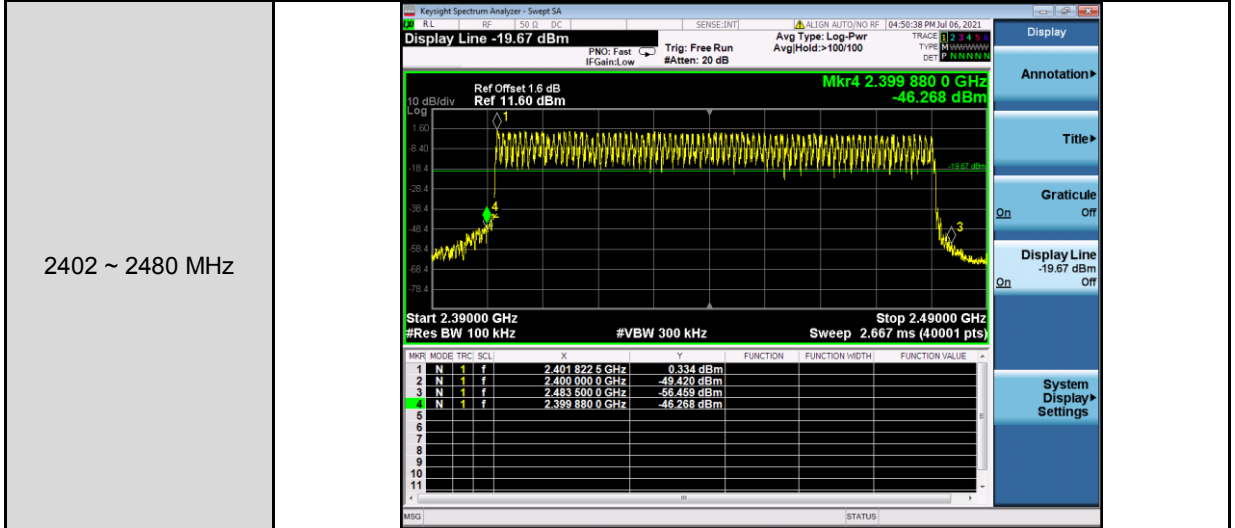




Mode 4: 8DPSK Continuous TX mode \_ Un-hopping



Mode 4: 8DPSK Continuous TX mode \_ Hopping

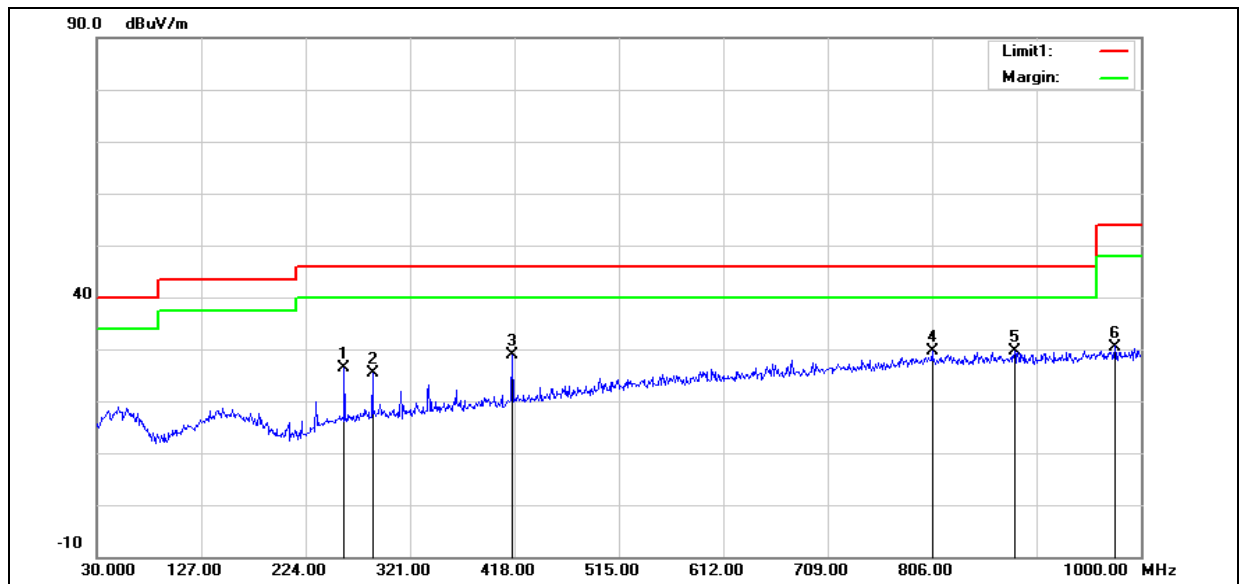


## Annex C. Radiated Emission Measurement

### Harmonic

Below 1GHz

Standard:	FCC Part 15.247	Test Distance:	3 m
Test item:	Harmonic	Power:	AC 120 V/60 Hz
Test Mode:	Mode 1	Temp.(°C)/Hum.(%RH):	26(°C)/60 %RH



Frequency (MHz)	Reading (dBuV)	Correct Factor (dB/m)	Result (dBuV/m)	Limit (dBuV/m)	Margin (dB)	Remark	Ant.Polar. H / V
259.8900	37.97	-11.55	26.42	46.00	-19.58	peak	H
286.0800	35.97	-10.52	25.45	46.00	-20.55	peak	H
416.0600	36.49	-7.50	28.99	46.00	-17.01	peak	H
806.0000	29.26	0.37	29.63	46.00	-16.37	peak	H
882.6300	28.70	0.90	29.60	46.00	-16.40	peak	H
975.7500	28.78	1.72	30.50	54.00	-23.50	peak	H

Note:1.Result (dBuV/m) = Correct Factor (dB/m) + Reading(dBuV).

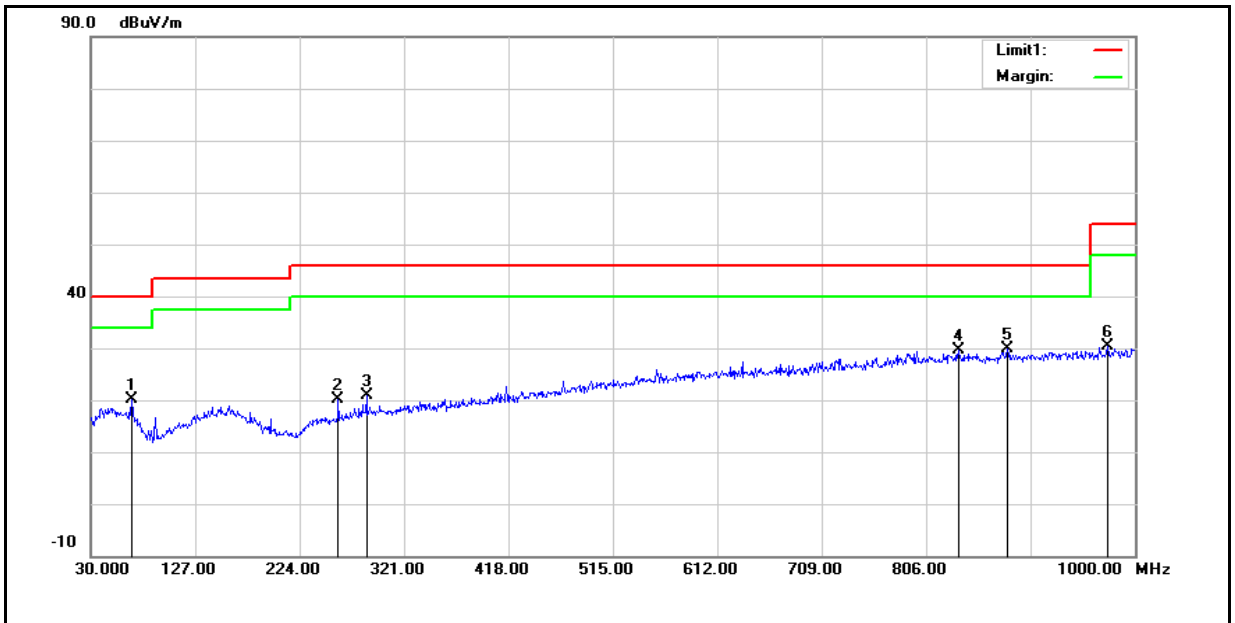
Example: 26.42=-11.55+37.97

2.Correction factor (dB/m) = Antenna Factor (dB/m) + Cable loss (dB) – Pre-Amplifier gain (dB).

3.When the peak results are less than average limit, so not need to evaluate the average.



Standard:	FCC Part 15.247	Test Distance:	3 m
Test item:	Harmonic	Power:	AC 120 V/60 Hz
Test Mode:	Mode 1	Temp.(°C)/Hum.(%RH):	26(°C)/60 %RH



67.8300	32.74	-12.57	20.17	40.00	-19.83	peak	V
259.8900	31.56	-11.55	20.01	46.00	-25.99	peak	V
286.0800	31.35	-10.52	20.83	46.00	-25.17	peak	V
836.0700	29.01	0.58	29.59	46.00	-16.41	peak	V
881.6600	29.07	0.89	29.96	46.00	-16.04	peak	V
974.7800	28.63	1.71	30.34	54.00	-23.66	peak	V

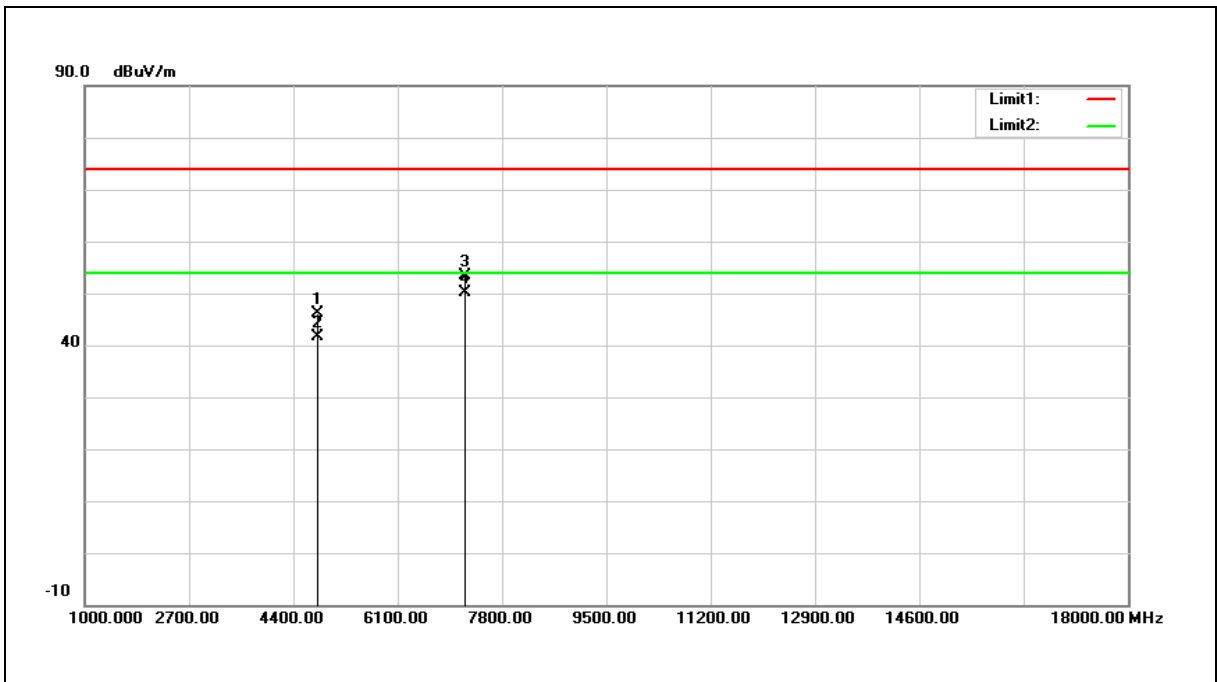
Note:1.Result (dBuV/m) = Correct Factor (dB/m) + Reading(dBuV).

2.Correction factor (dB/m) = Antenna Factor (dB/m) + Cable loss (dB) – Pre-Amplifier gain (dB).

3.When the peak results are less than average limit, so not need to evaluate the average.

Above 1GHz

Standard:	FCC Part 15.247	Test Distance:	3 m
Test item:	Harmonic	Power:	AC 120 V/60 Hz
Frequency:	2402 MHz	Temp.(°C)/Hum.(%RH):	26(°C)/60 %RH
Mode:	Mode 2		
Ant.Polar.:	Horizontal		



No.	Frequency (MHz)	Reading (dBuV)	Correct Factor (dB/m)	Result (dBuV/m)	Limit (dBuV/m)	Margin (dB)	Remark
1	4804.000	51.82	-5.57	46.25	74.00	-27.75	peak
2	4804.000	47.13	-5.57	41.56	54.00	-12.44	AVG
3	7205.000	54.75	-1.37	53.38	74.00	-20.62	peak
4	7205.000	51.46	-1.37	50.09	54.00	-3.91	AVG

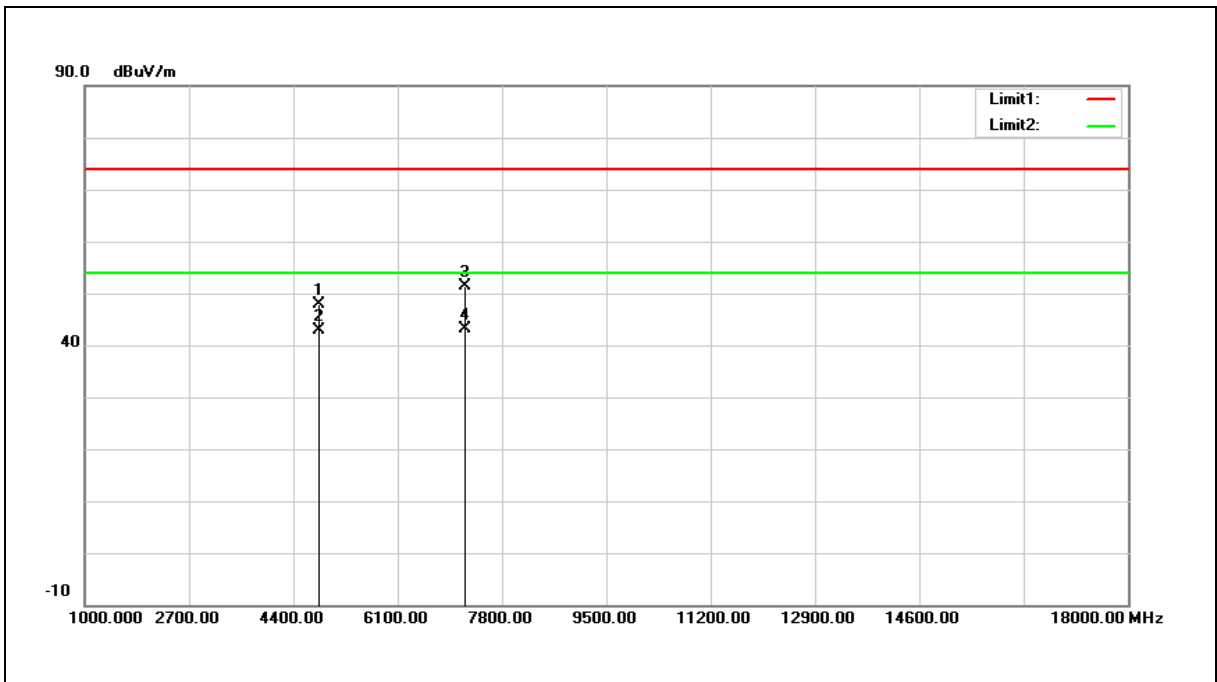
Note:1.Result (dBuV/m) = Correct Factor (dB/m) + Reading(dBuV).

Example: 46.25=-5.57+51.82

2.Correction factor (dB/m) = Antenna Factor (dB/m) + Cable loss (dB) – Pre-Amplifier gain (dB).

3. When the peak results are less than average limit, so not need to evaluate the average.

Standard:	FCC Part 15.247	Test Distance:	3 m
Test item:	Harmonic	Power:	AC 120 V/60 Hz
Frequency:	2402 MHz	Temp.(°C)/Hum.(%RH):	26(°C)/60 %RH
Mode:	Mode 2		
Ant.Polar.:	Vertical		



No.	Frequency (MHz)	Reading (dBuV)	Correct Factor (dB/m)	Result (dBuV/m)	Limit (dBuV/m)	Margin (dB)	Remark
1	4808.000	53.38	-5.57	47.81	74.00	-26.19	peak
2	4808.000	48.37	-5.57	42.80	54.00	-11.20	AVG
3	7205.000	52.73	-1.37	51.36	74.00	-22.64	peak
4	7205.000	44.54	-1.37	43.17	54.00	-10.83	AVG

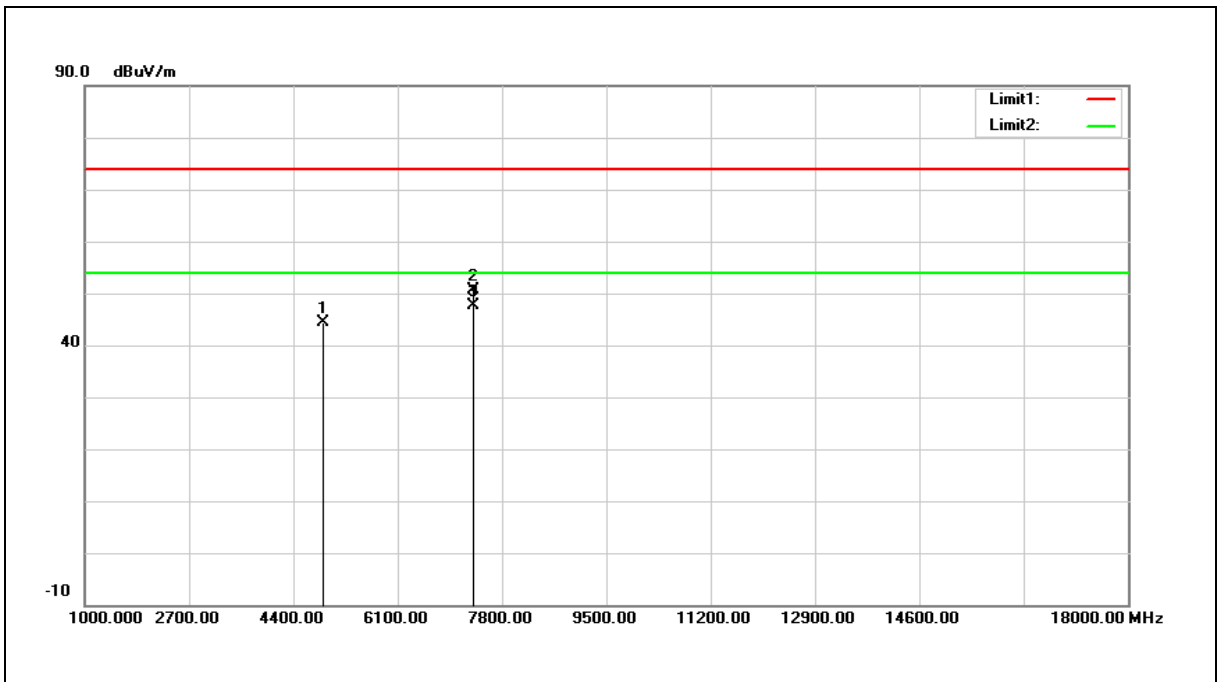
Note:1.Result (dBuV/m) = Correct Factor (dB/m) + Reading(dBuV).

2.Correction factor (dB/m) = Antenna Factor (dB/m) + Cable loss (dB) – Pre-Amplifier gain (dB).

3. When the peak results are less than average limit, so not need to evaluate the average.



Standard:	FCC Part 15.247	Test Distance:	3 m
Test item:	Harmonic	Power:	AC 120 V/60 Hz
Frequency:	2441MHz	Temp.(°C)/Hum.(%RH):	26(°C)/60 %RH
Mode:	Mode 2		
Ant.Polar.:	Horizontal		



No.	Frequency (MHz)	Reading (dBuV)	Correct Factor (dB/m)	Result (dBuV/m)	Limit (dBuV/m)	Margin (dB)	Remark
1	4882.000	49.85	-5.45	44.40	74.00	-29.60	peak
2	7324.000	51.81	-1.18	50.63	74.00	-23.37	peak
3	7324.000	48.73	-1.18	47.55	54.00	-6.45	AVG

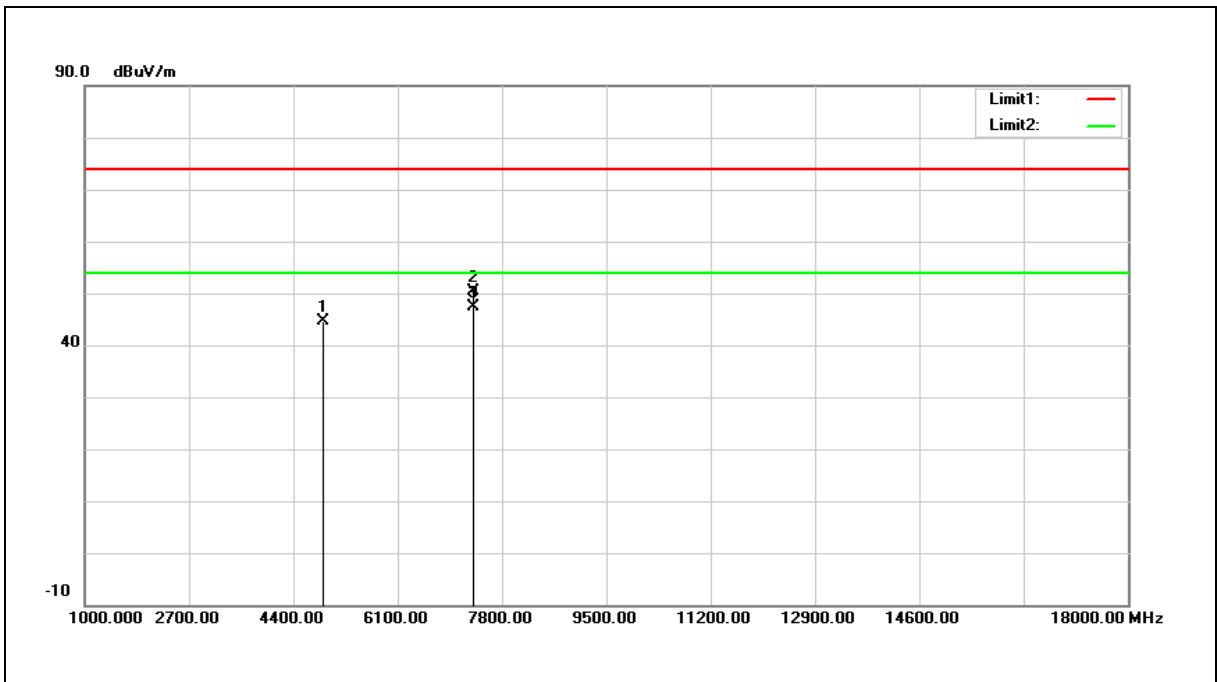
Note:1.Result (dBuV/m) = Correct Factor (dB/m) + Reading(dBuV).

2.Correction factor (dB/m) = Antenna Factor (dB/m) + Cable loss (dB) – Pre-Amplifier gain (dB).

3. When the peak results are less than average limit, so not need to evaluate the average.



Standard:	FCC Part 15.247	Test Distance:	3 m
Test item:	Harmonic	Power:	AC 120 V/60 Hz
Frequency:	2441MHz	Temp.(°C)/Hum.(%RH):	26(°C)/60 %RH
Mode:	Mode 2		
Ant.Polar.:	Vertical		



No.	Frequency (MHz)	Reading (dBuV)	Correct Factor (dB/m)	Result (dBuV/m)	Limit (dBuV/m)	Margin (dB)	Remark
1	4882.000	50.12	-5.45	44.67	74.00	-29.33	peak
2	7324.000	51.50	-1.18	50.32	74.00	-23.68	peak
3	7324.000	48.66	-1.18	47.48	54.00	-6.52	AVG

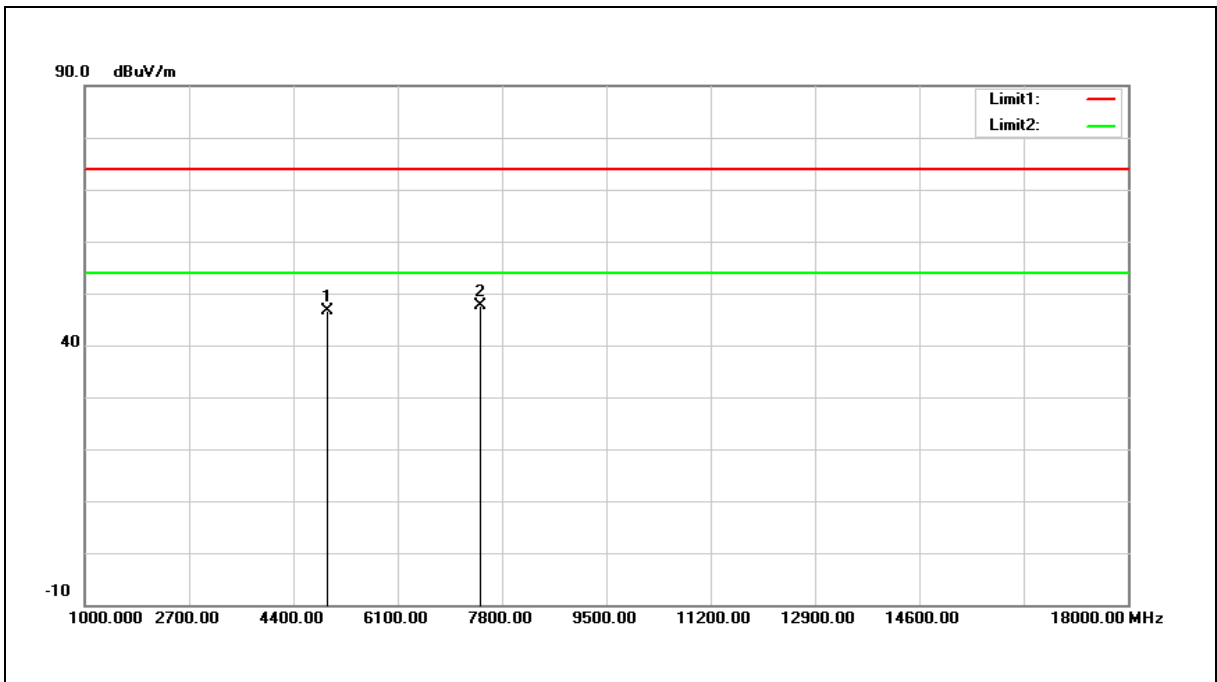
Note:1.Result (dBuV/m) = Correct Factor (dB/m) + Reading(dBuV).

2.Correction factor (dB/m) = Antenna Factor (dB/m) + Cable loss (dB) – Pre-Amplifier gain (dB).

3. When the peak results are less than average limit, so not need to evaluate the average.



Standard:	FCC Part 15.247	Test Distance:	3 m
Test item:	Harmonic	Power:	AC 120 V/60 Hz
Frequency:	2480 MHz	Temp.(°C)/Hum.(%RH):	26(°C)/60 %RH
Mode:	Mode 2		
Ant.Polar.:	Horizontal		



No.	Frequency (MHz)	Reading (dBuV)	Correct Factor (dB/m)	Result (dBuV/m)	Limit (dBuV/m)	Margin (dB)	Remark
1	4960.000	52.05	-5.33	46.72	74.00	-27.28	peak
2	7440.000	48.63	-1.00	47.63	74.00	-26.37	peak

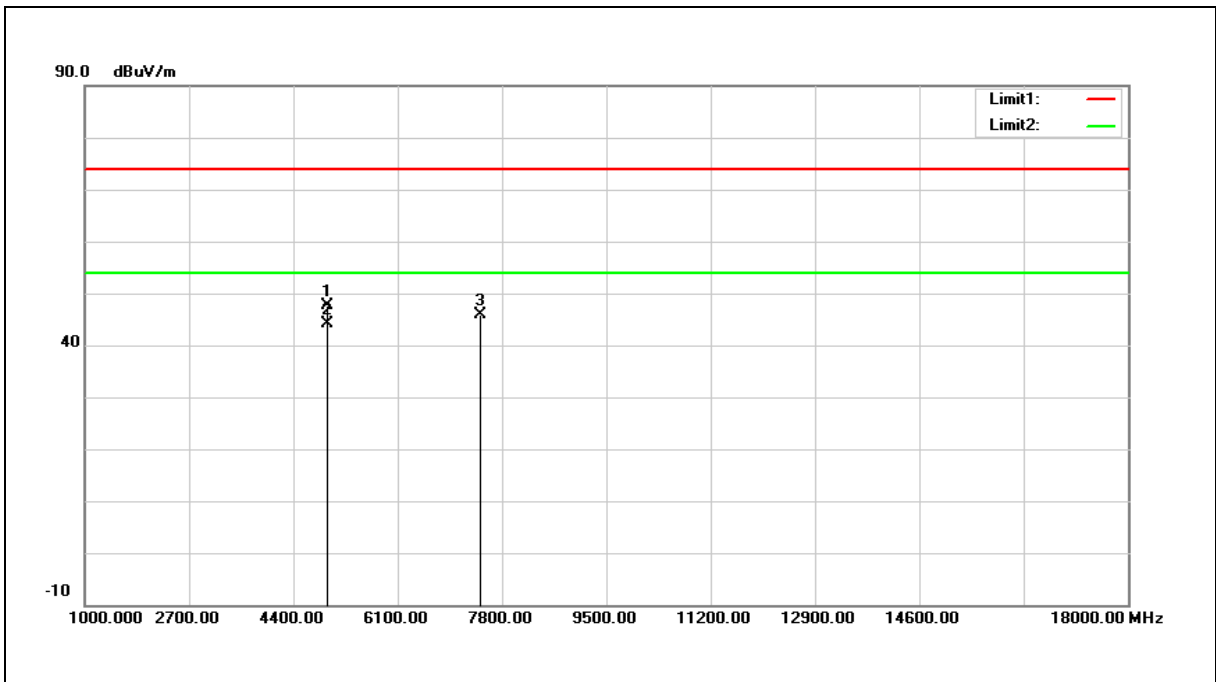
Note:1.Result (dBuV/m) = Correct Factor (dB/m) + Reading(dBuV).

2.Correction factor (dB/m) = Antenna Factor (dB/m) + Cable loss (dB) – Pre-Amplifier gain (dB).

3. When the peak results are less than average limit, so not need to evaluate the average.



Standard:	FCC Part 15.247	Test Distance:	3 m
Test item:	Harmonic	Power:	AC 120 V/60 Hz
Frequency:	2480 MHz	Temp.(°C)/Hum.(%RH):	26(°C)/60 %RH
Mode:	Mode 2		
Ant.Polar.:	Vertical		



No.	Frequency (MHz)	Reading (dBuV)	Correct Factor (dB/m)	Result (dBuV/m)	Limit (dBuV/m)	Margin (dB)	Remark
1	4960.000	52.93	-5.33	47.60	74.00	-26.40	peak
2	4960.000	49.38	-5.33	44.05	54.00	-9.95	AVG
3	7440.000	46.81	-1.00	45.81	74.00	-28.19	peak

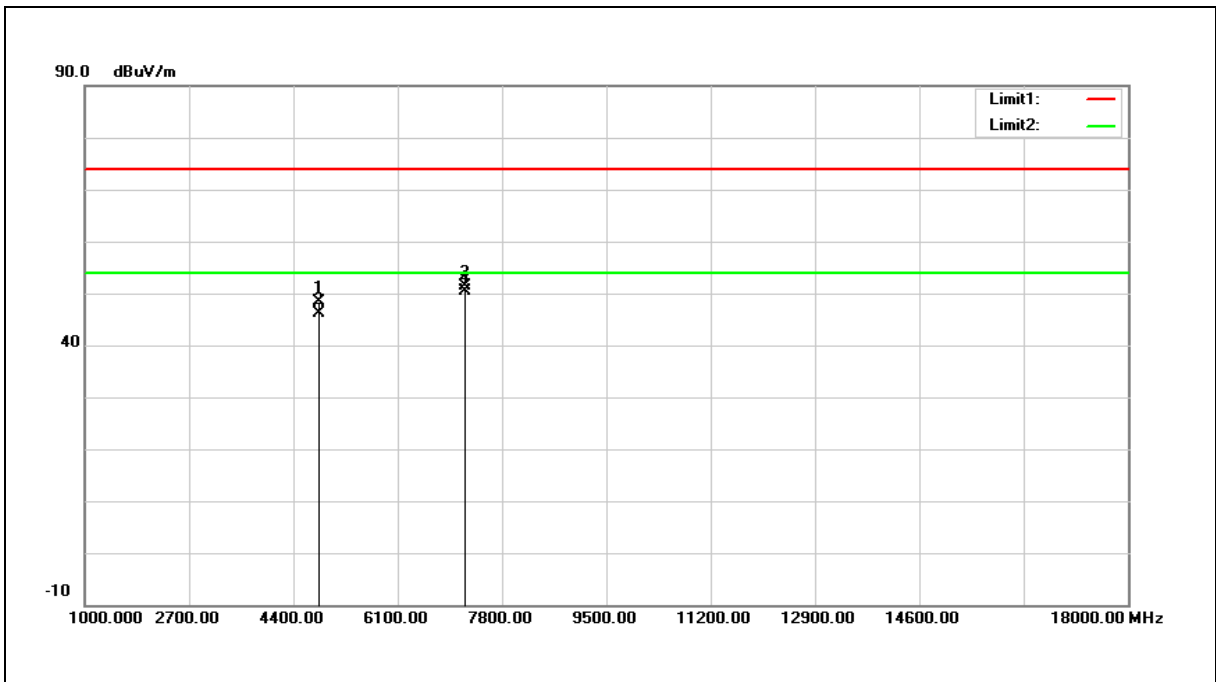
Note:1.Result (dBuV/m) = Correct Factor (dB/m) + Reading(dBuV).

2.Correction factor (dB/m) = Antenna Factor (dB/m) + Cable loss (dB) – Pre-Amplifier gain (dB).

3. When the peak results are less than average limit, so not need to evaluate the average.



Standard:	FCC Part 15.247	Test Distance:	3 m
Test item:	Harmonic	Power:	AC 120 V/60 Hz
Frequency:	2402 MHz	Temp.(°C)/Hum.(%RH):	26(°C)/60 %RH
Mode:	Mode 4		
Ant.Polar.:	Horizontal		



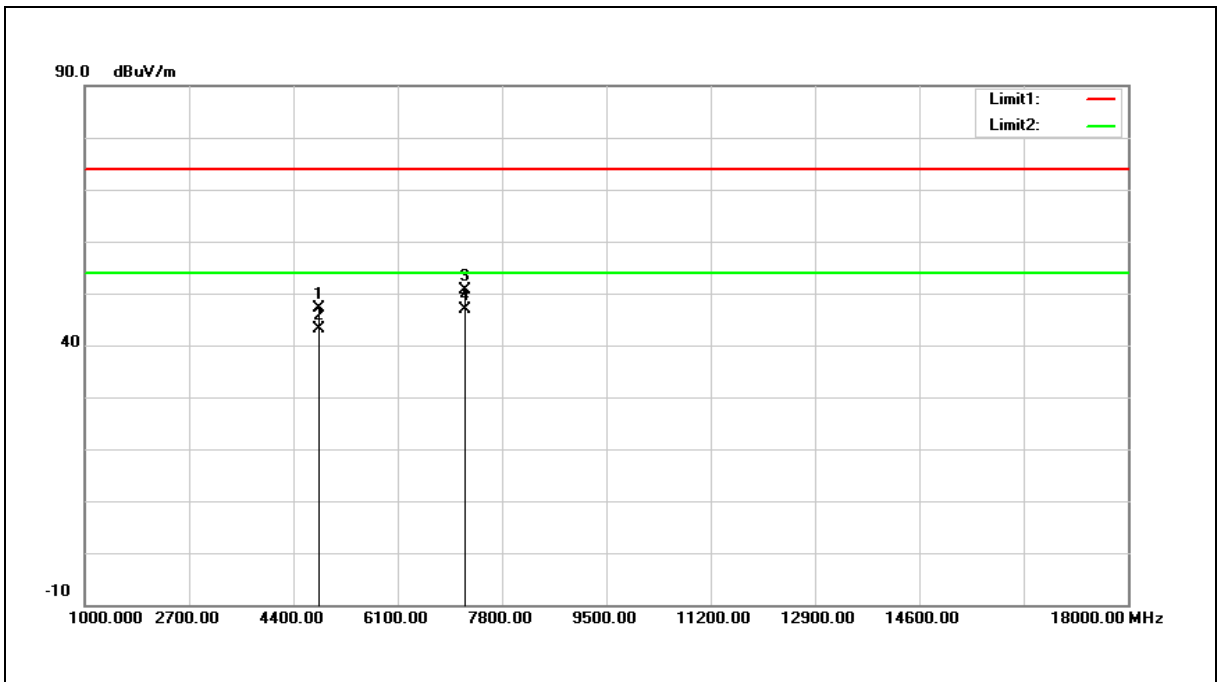
No.	Frequency (MHz)	Reading (dBuV)	Correct Factor (dB/m)	Result (dBuV/m)	Limit (dBuV/m)	Margin (dB)	Remark
1	4808.000	53.85	-5.57	48.28	74.00	-25.72	peak
2	4808.000	51.72	-5.57	46.15	54.00	-7.85	AVG
3	7205.000	52.68	-1.37	51.31	74.00	-22.69	peak
4	7205.000	51.86	-1.37	50.49	54.00	-3.51	AVG

Note:1.Result (dBuV/m) = Correct Factor (dB/m) + Reading(dBuV).

2.Correction factor (dB/m) = Antenna Factor (dB/m) + Cable loss (dB) – Pre-Amplifier gain (dB).

3. When the peak results are less than average limit, so not need to evaluate the average.

Standard:	FCC Part 15.247	Test Distance:	3 m
Test item:	Harmonic	Power:	AC 120 V/60 Hz
Frequency:	2402 MHz	Temp.(°C)/Hum.(%RH):	26(°C)/60 %RH
Mode:	Mode 4		
Ant.Polar.:	Vertical		



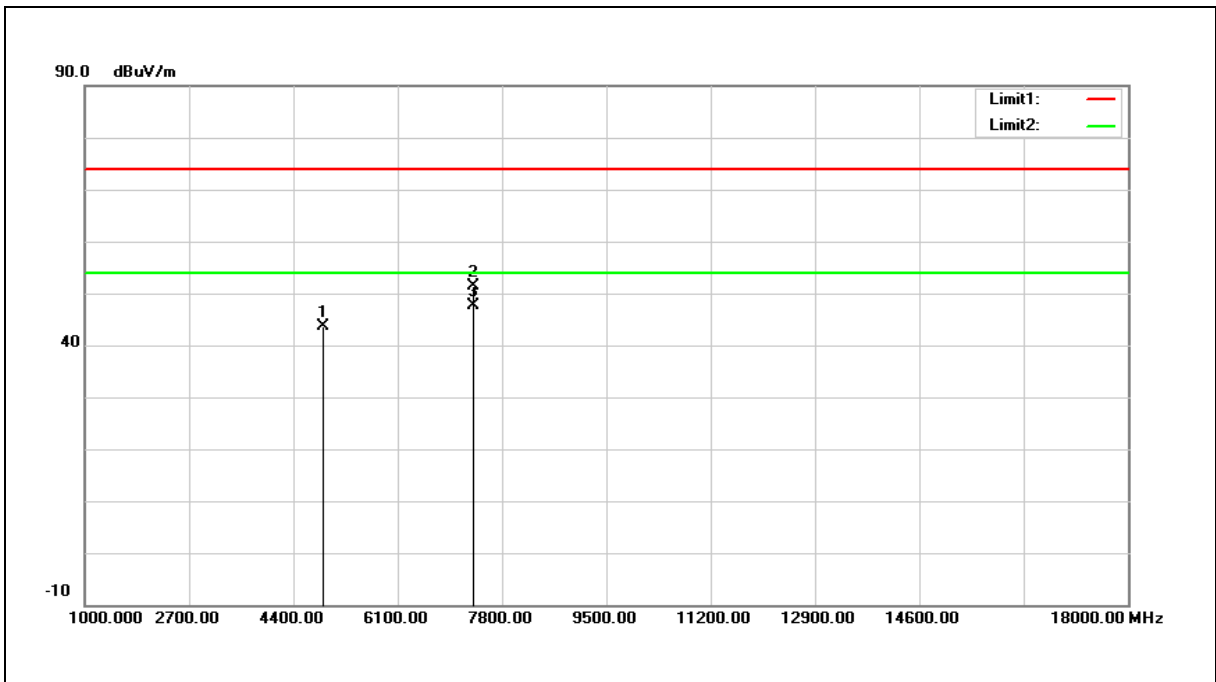
No.	Frequency (MHz)	Reading (dBuV)	Correct Factor (dB/m)	Result (dBuV/m)	Limit (dBuV/m)	Margin (dB)	Remark
1	4808.000	52.69	-5.57	47.12	74.00	-26.88	peak
2	4808.000	48.69	-5.57	43.12	54.00	-10.88	AVG
3	7205.000	51.95	-1.37	50.58	74.00	-23.42	peak
4	7205.000	48.32	-1.37	46.95	54.00	-7.05	AVG

Note:1.Result (dBuV/m) = Correct Factor (dB/m) + Reading(dBuV).

2.Correction factor (dB/m) = Antenna Factor (dB/m) + Cable loss (dB) – Pre-Amplifier gain (dB).

3. When the peak results are less than average limit, so not need to evaluate the average.

Standard:	FCC Part 15.247	Test Distance:	3 m
Test item:	Harmonic	Power:	AC 120 V/60 Hz
Frequency:	2441MHz	Temp.(°C)/Hum.(%RH):	26(°C)/60 %RH
Mode:	Mode 4		
Ant.Polar.:	Horizontal		



No.	Frequency (MHz)	Reading (dBuV)	Correct Factor (dB/m)	Result (dBuV/m)	Limit (dBuV/m)	Margin (dB)	Remark
1	4882.000	49.08	-5.45	43.63	74.00	-30.37	peak
2	7324.000	52.59	-1.18	51.41	74.00	-22.59	peak
3	7324.000	48.80	-1.18	47.62	54.00	-6.38	AVG

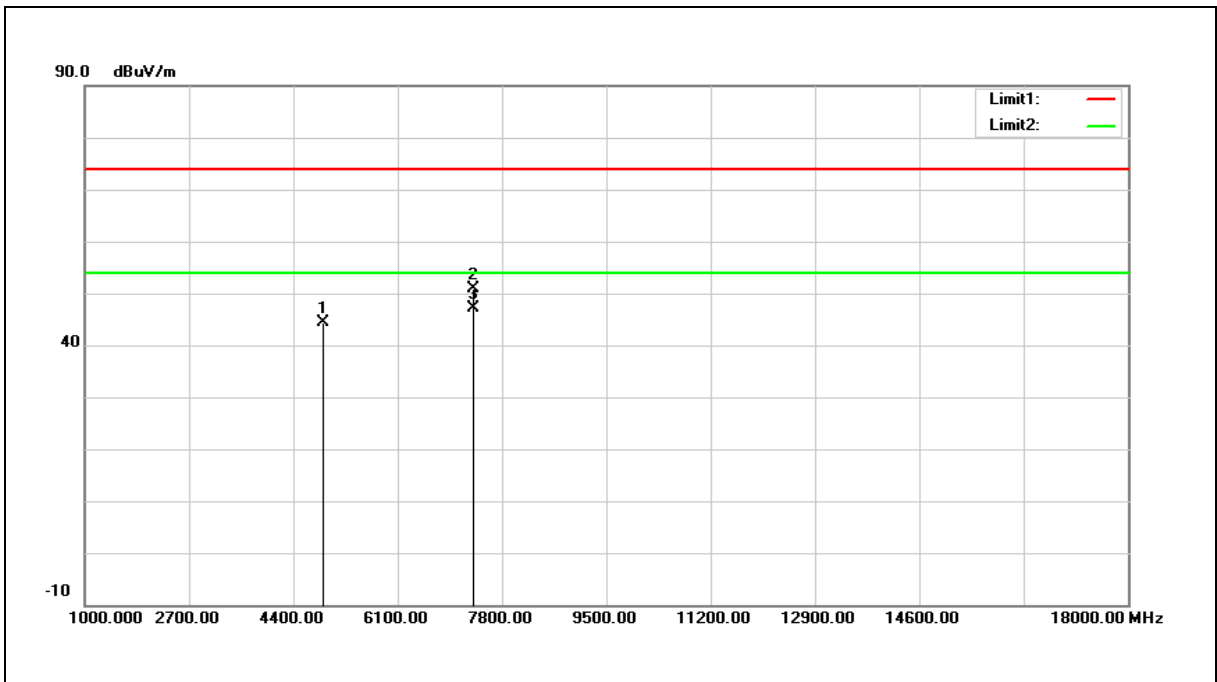
Note:1.Result (dBuV/m) = Correct Factor (dB/m) + Reading(dBuV).

2.Correction factor (dB/m) = Antenna Factor (dB/m) + Cable loss (dB) – Pre-Amplifier gain (dB).

3. When the peak results are less than average limit, so not need to evaluate the average.



Standard:	FCC Part 15.247	Test Distance:	3 m
Test item:	Harmonic	Power:	AC 120 V/60 Hz
Frequency:	2441MHz	Temp.(°C)/Hum.(%RH):	26(°C)/60 %RH
Mode:	Mode 4		
Ant.Polar.:	Vertical		



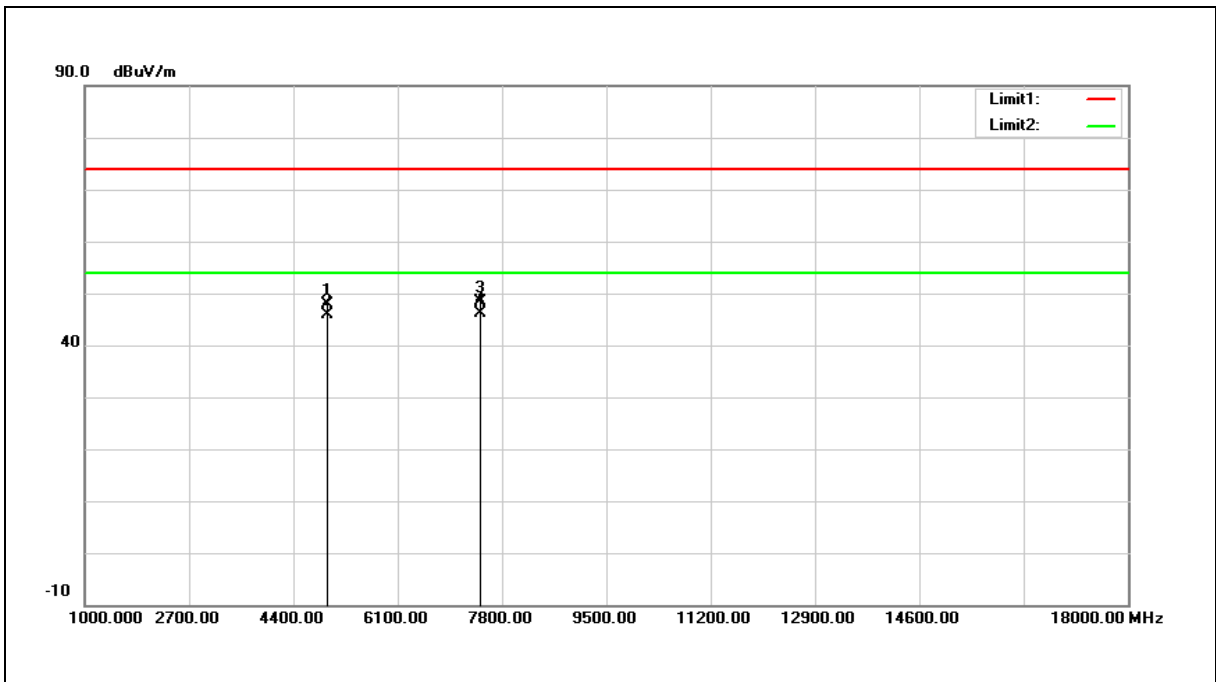
No.	Frequency (MHz)	Reading (dBuV)	Correct Factor (dB/m)	Result (dBuV/m)	Limit (dBuV/m)	Margin (dB)	Remark
1	4882.000	49.85	-5.45	44.40	74.00	-29.60	peak
2	7324.000	51.96	-1.18	50.78	74.00	-23.22	peak
3	7324.000	48.20	-1.18	47.02	54.00	-6.98	AVG

Note:1.Result (dBuV/m) = Correct Factor (dB/m) + Reading(dBuV).

2.Correction factor (dB/m) = Antenna Factor (dB/m) + Cable loss (dB) – Pre-Amplifier gain (dB).

3. When the peak results are less than average limit, so not need to evaluate the average.

Standard:	FCC Part 15.247	Test Distance:	3 m
Test item:	Harmonic	Power:	AC 120 V/60 Hz
Frequency:	2480 MHz	Temp.(°C)/Hum.(%RH):	26(°C)/60 %RH
Mode:	Mode 4		
Ant.Polar.:	Horizontal		



No.	Frequency (MHz)	Reading (dBuV)	Correct Factor (dB/m)	Result (dBuV/m)	Limit (dBuV/m)	Margin (dB)	Remark
1	4960.000	53.23	-5.33	47.90	74.00	-26.10	peak
2	4960.000	51.29	-5.33	45.96	54.00	-8.04	AVG
3	7440.000	49.49	-1.00	48.49	74.00	-25.51	peak
4	7440.000	47.11	-1.00	46.11	54.00	-7.89	AVG

Note:1.Result (dBuV/m) = Correct Factor (dB/m) + Reading(dBuV).

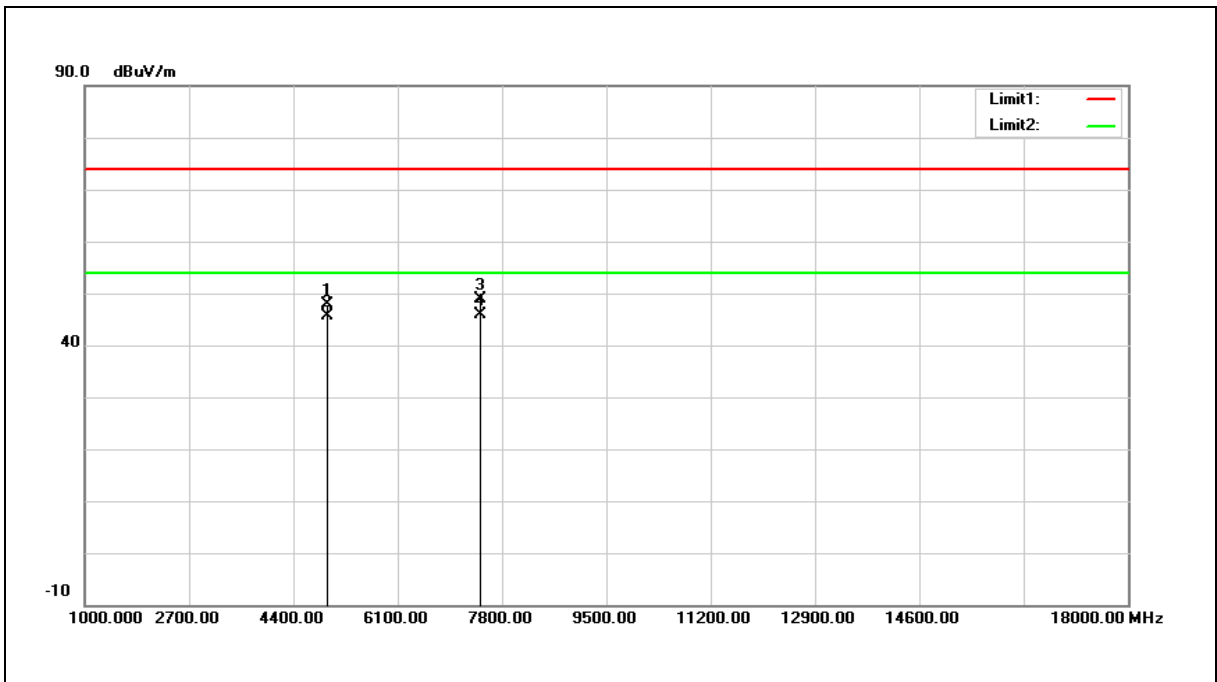
2.Correction factor (dB/m) = Antenna Factor (dB/m) + Cable loss (dB) – Pre-Amplifier gain (dB).

3. When the peak results are less than average limit, so not need to evaluate the average.





Standard:	FCC Part 15.247	Test Distance:	3 m
Test item:	Harmonic	Power:	AC 120 V/60 Hz
Frequency:	2480 MHz	Temp.(°C)/Hum.(%RH):	26(°C)/60 %RH
Mode:	Mode 4		
Ant.Polar.:	Vertical		



No.	Frequency (MHz)	Reading (dBuV)	Correct Factor (dB/m)	Result (dBuV/m)	Limit (dBuV/m)	Margin (dB)	Remark
1	4960.000	53.18	-5.33	47.85	74.00	-26.15	peak
2	4960.000	50.94	-5.33	45.61	54.00	-8.39	AVG
3	7440.000	49.86	-1.00	48.86	74.00	-25.14	peak
4	7440.000	46.92	-1.00	45.92	54.00	-8.08	AVG

Note:1.Result (dBuV/m) = Correct Factor (dB/m) + Reading(dBuV).

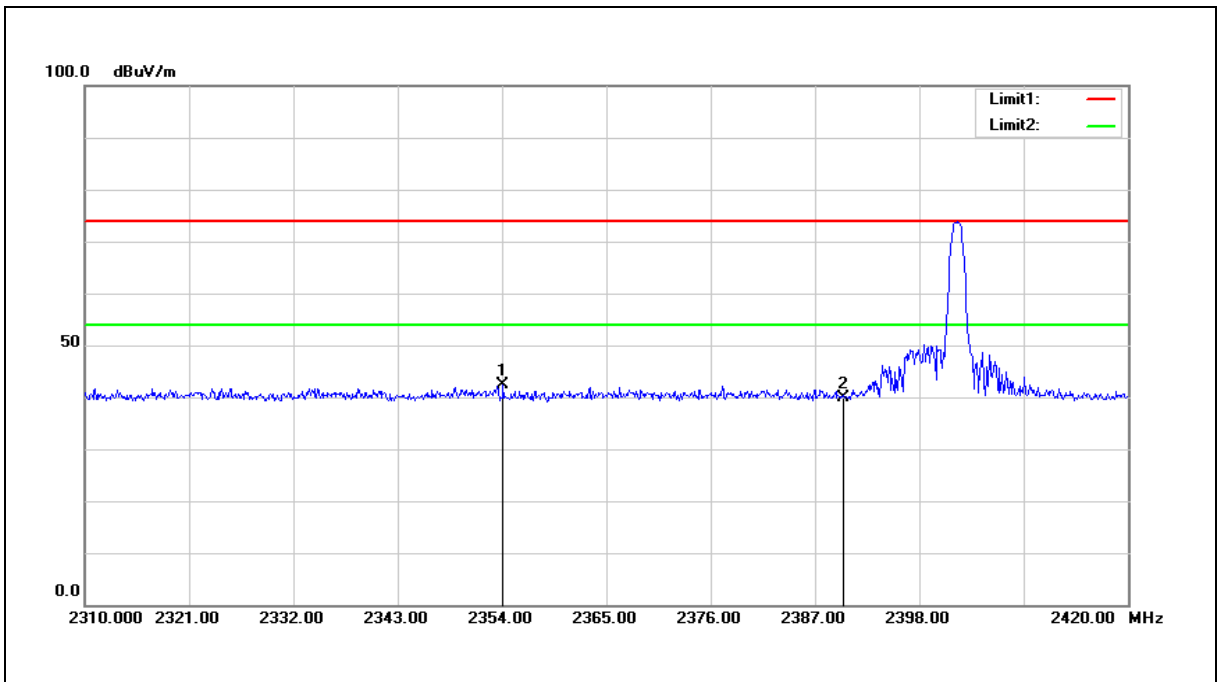
2.Correction factor (dB/m) = Antenna Factor (dB/m) + Cable loss (dB) – Pre-Amplifier gain (dB).

3. When the peak results are less than average limit, so not need to evaluate the average.



### Band Edge

Standard:	FCC Part 15.247	Test Distance:	3 m
Test item:	Band edge	Power:	AC 120 V/60 Hz
Frequency:	2402 MHz	Temp.(°C)/Hum.(%RH):	26(°C)/60 %RH
Mode:	Mode 2		
Ant.Polar.:	Horizontal		



No.	Frequency (MHz)	Reading (dBuV)	Correct Factor (dB/m)	Result (dBuV/m)	Limit (dBuV/m)	Margin (dB)	Remark
1	2354.110	53.36	-10.92	42.44	74.00	-31.56	peak
2	2390.000	50.62	-10.85	39.77	74.00	-34.23	peak

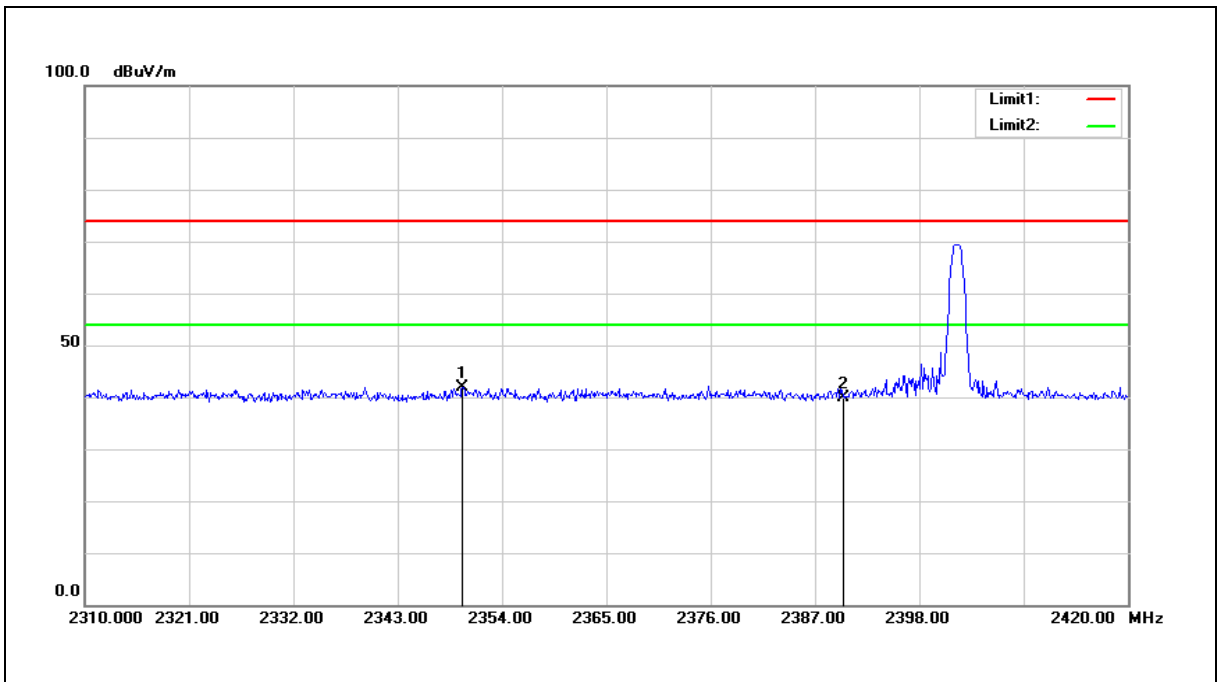
Note:1.Result (dBuV/m) = Correct Factor (dB/m) + Reading(dBuV).

2.Correction factor (dB/m) = Antenna Factor (dB/m) + Cable loss (dB) – Pre-Amplifier gain (dB).

3. When the peak results are less than average limit, so not need to evaluate the average.



Standard:	FCC Part 15.247	Test Distance:	3 m
Test item:	Band edge	Power:	AC 120 V/60 Hz
Frequency:	2402 MHz	Temp.(°C)/Hum.(%RH):	26(°C)/60 %RH
Mode:	Mode 2		
Ant.Polar.:	Vertical		



No.	Frequency (MHz)	Reading (dBuV)	Correct Factor (dB/m)	Result (dBuV/m)	Limit (dBuV/m)	Margin (dB)	Remark
1	2349.820	52.90	-10.93	41.97	74.00	-32.03	peak
2	2390.000	50.65	-10.85	39.80	74.00	-34.20	peak

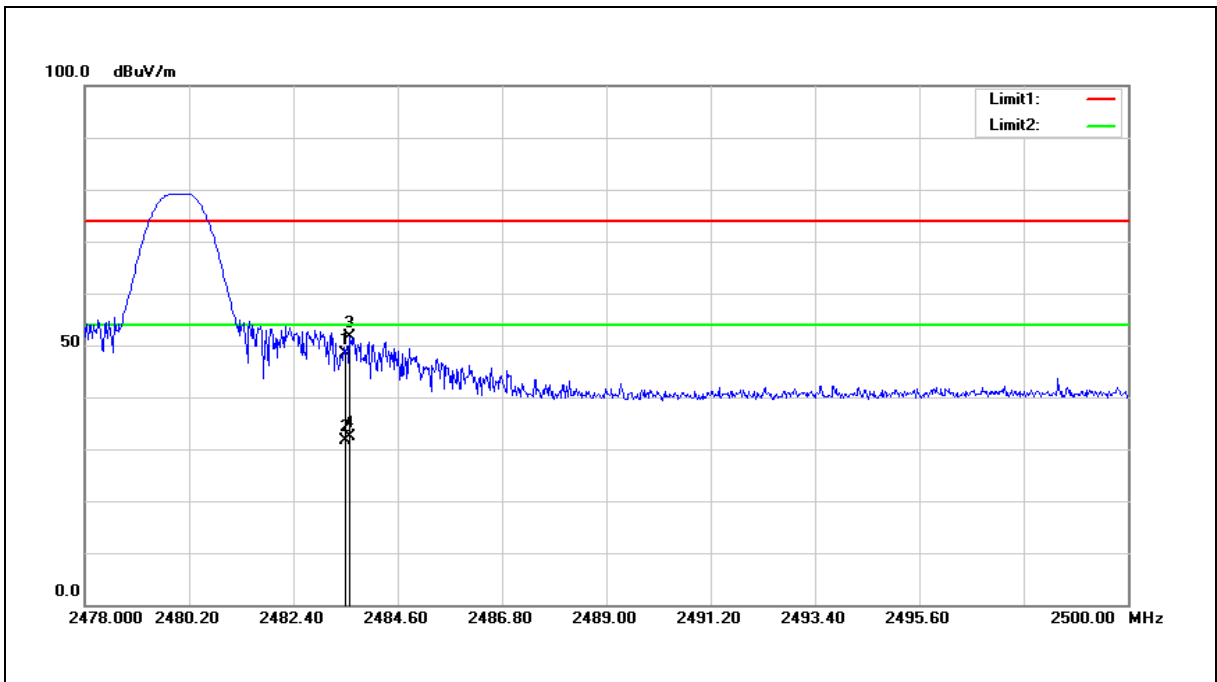
Note:1.Result (dBuV/m) = Correct Factor (dB/m) + Reading(dBuV).

2.Correction factor (dB/m) = Antenna Factor (dB/m) + Cable loss (dB) – Pre-Amplifier gain (dB).

3. When the peak results are less than average limit, so not need to evaluate the average.



Standard:	FCC Part 15.247	Test Distance:	3 m
Test item:	Band edge	Power:	AC 120 V/60 Hz
Frequency:	2480 MHz	Temp.(°C)/Hum.(%RH):	26(°C)/60 %RH
Mode:	Mode 2		
Ant.Polar.:	Horizontal		



No.	Frequency (MHz)	Reading (dBuV)	Correct Factor (dB/m)	Result (dBuV/m)	Limit (dBuV/m)	Margin (dB)	Remark
1	2483.500	59.12	-10.65	48.47	74.00	-25.53	peak
2	2483.500	42.20	-10.65	31.55	54.00	-22.45	AVG
3	2483.588	62.21	-10.65	51.56	74.00	-22.44	peak
4	2483.588	42.96	-10.65	32.31	54.00	-21.69	AVG

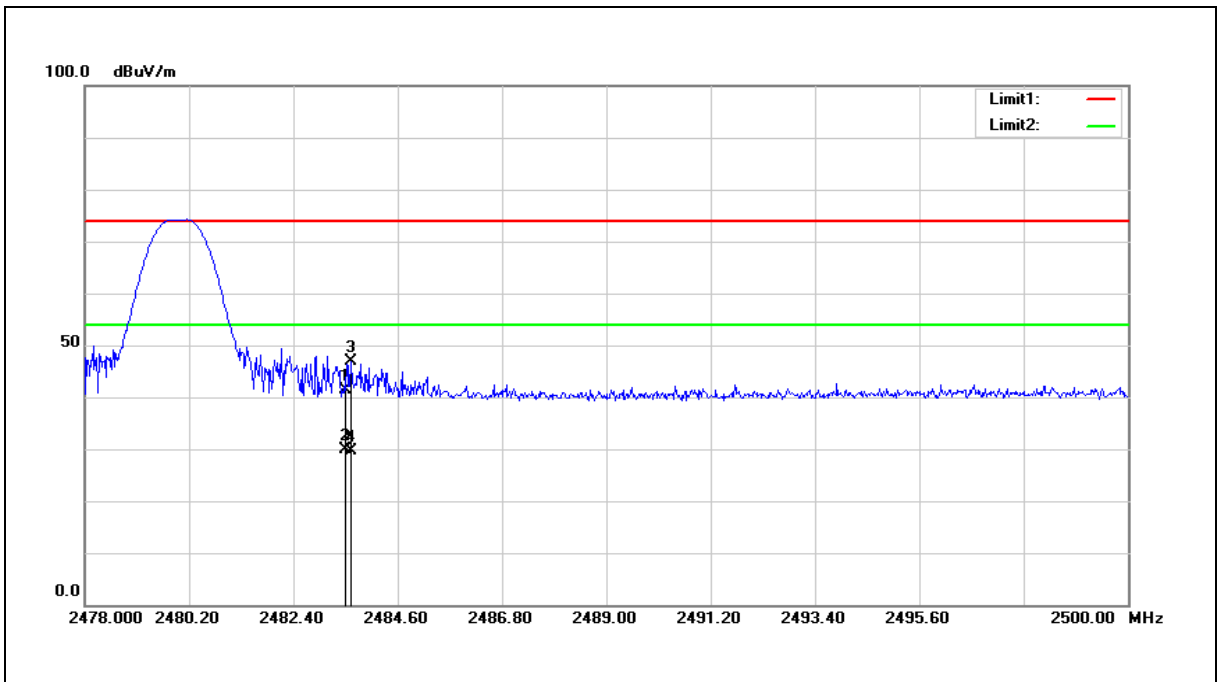
Note:1.Result (dBuV/m) = Correct Factor (dB/m) + Reading(dBuV).

2.Correction factor (dB/m) = Antenna Factor (dB/m) + Cable loss (dB) – Pre-Amplifier gain (dB).

3. When the peak results are less than average limit, so not need to evaluate the average.



Standard:	FCC Part 15.247	Test Distance:	3 m
Test item:	Band edge	Power:	AC 120 V/60 Hz
Frequency:	2480 MHz	Temp.(°C)/Hum.(%RH):	26(°C)/60 %RH
Mode:	Mode 2		
Ant.Polar.:	Vertical		



No.	Frequency (MHz)	Reading (dBuV)	Correct Factor (dB/m)	Result (dBuV/m)	Limit (dBuV/m)	Margin (dB)	Remark
1	2483.500	52.15	-10.65	41.50	74.00	-32.50	peak
2	2483.500	40.52	-10.65	29.87	54.00	-24.13	AVG
3	2483.610	57.57	-10.65	46.92	74.00	-27.08	peak
4	2483.610	40.35	-10.65	29.70	54.00	-24.30	AVG

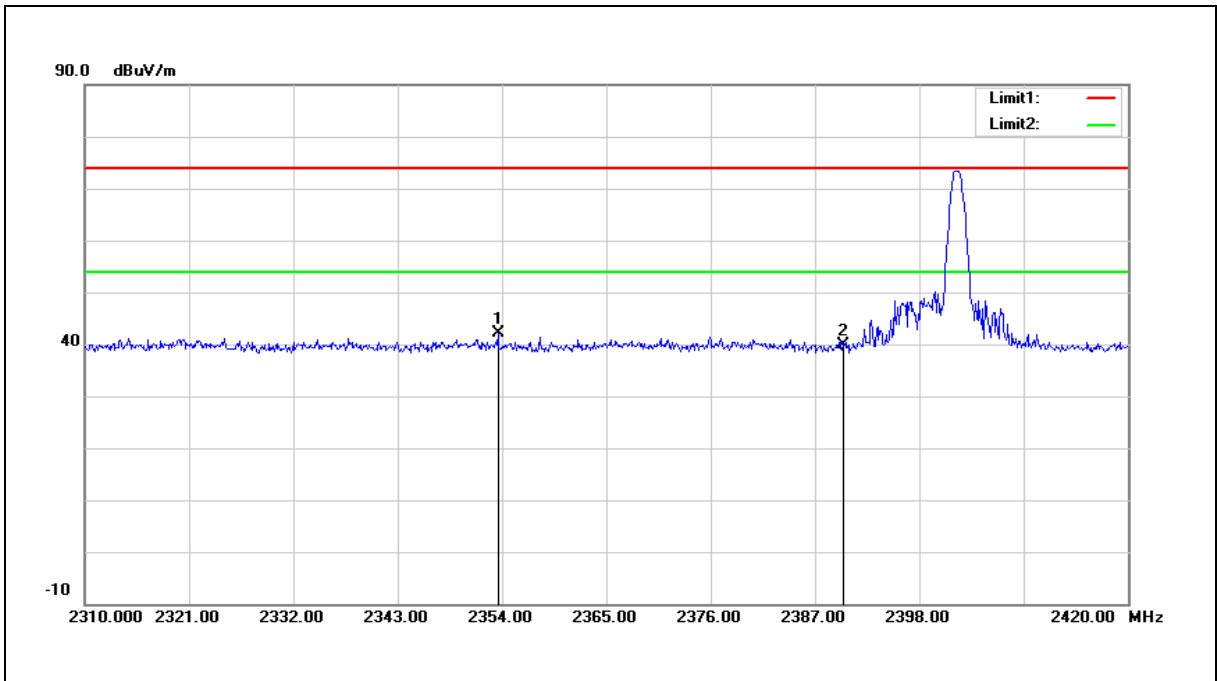
Note:1.Result (dBuV/m) = Correct Factor (dB/m) + Reading(dBuV).

2.Correction factor (dB/m) = Antenna Factor (dB/m) + Cable loss (dB) – Pre-Amplifier gain (dB).

3. When the peak results are less than average limit, so not need to evaluate the average.



Standard:	FCC Part 15.247	Test Distance:	3 m
Test item:	Band edge	Power:	AC 120 V/60 Hz
Frequency:	2402 MHz	Temp.(°C)/Hum.(%RH):	26(°C)/60 %RH
Mode:	Mode 4		
Ant.Polar.:	Horizontal		



No.	Frequency (MHz)	Reading (dBuV)	Correct Factor (dB/m)	Result (dBuV/m)	Limit (dBuV/m)	Margin (dB)	Remark
1	2353.560	53.03	-10.92	42.11	74.00	-31.89	peak
2	2390.000	50.78	-10.85	39.93	74.00	-34.07	peak

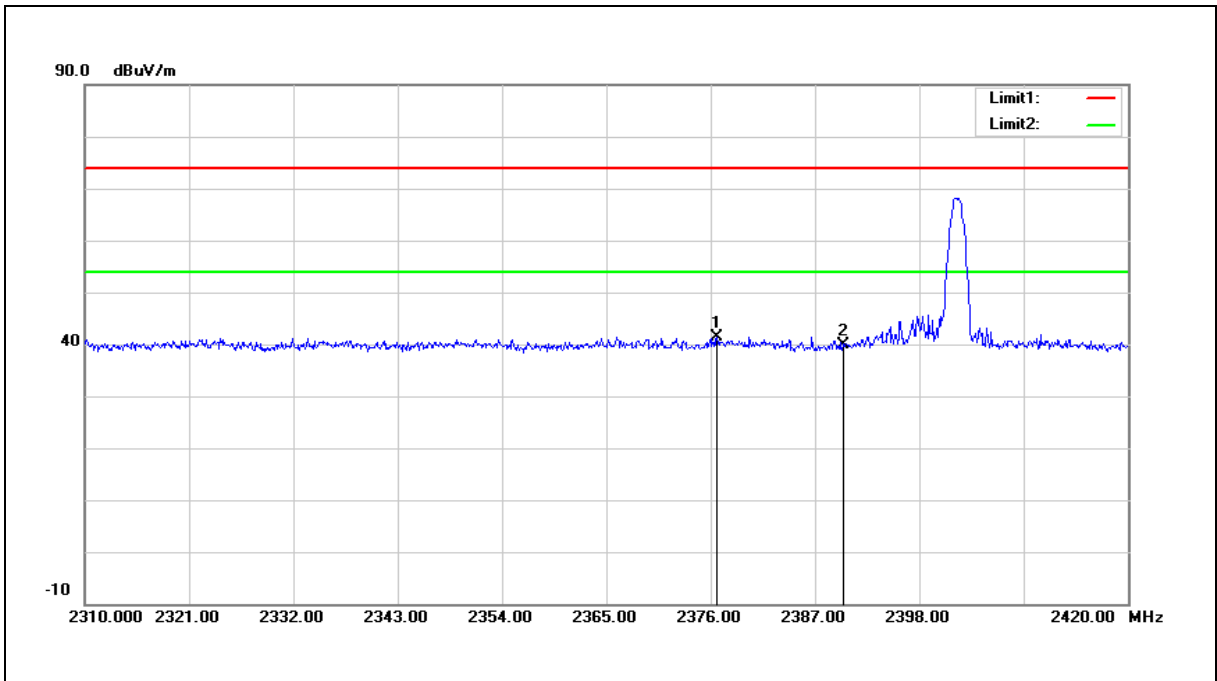
Note: 1. Result (dBuV/m) = Correct Factor (dB/m) + Reading(dBuV).

2. Correction factor (dB/m) = Antenna Factor (dB/m) + Cable loss (dB) – Pre-Amplifier gain (dB).

3. When the peak results are less than average limit, so not need to evaluate the average.



Standard:	FCC Part 15.247	Test Distance:	3 m
Test item:	Band edge	Power:	AC 120 V/60 Hz
Frequency:	2402 MHz	Temp.(°C)/Hum.(%RH):	26(°C)/60 %RH
Mode:	Mode 4		
Ant.Polar.:	Vertical		



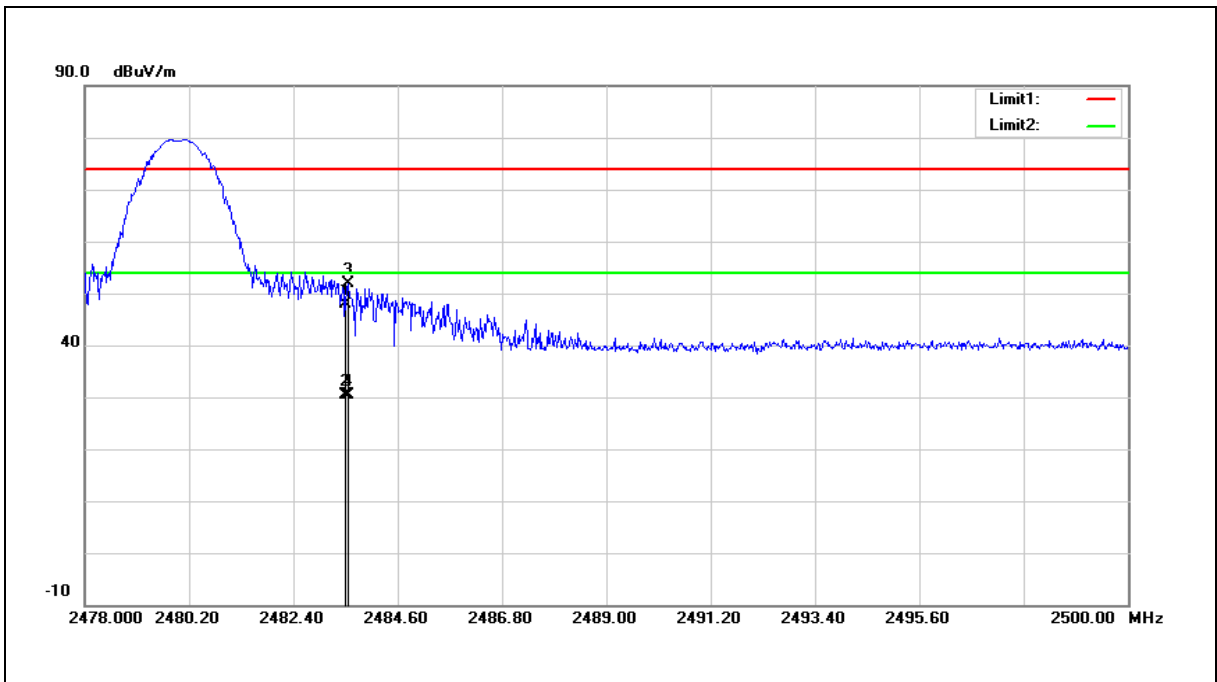
No.	Frequency (MHz)	Reading (dBuV)	Correct Factor (dB/m)	Result (dBuV/m)	Limit (dBuV/m)	Margin (dB)	Remark
1	2376.660	52.29	-10.87	41.42	74.00	-32.58	peak
2	2390.000	50.83	-10.85	39.98	74.00	-34.02	peak

Note:1.Result (dBuV/m) = Correct Factor (dB/m) + Reading(dBuV).

2.Correction factor (dB/m) = Antenna Factor (dB/m) + Cable loss (dB) – Pre-Amplifier gain (dB).

3. When the peak results are less than average limit, so not need to evaluate the average.

Standard:	FCC Part 15.247	Test Distance:	3 m
Test item:	Band edge	Power:	AC 120 V/60 Hz
Frequency:	2480 MHz	Temp.(°C)/Hum.(%RH):	26(°C)/60 %RH
Mode:	Mode 4		
Ant.Polar.:	Horizontal		



No.	Frequency (MHz)	Reading (dBuV)	Correct Factor (dB/m)	Result (dBuV/m)	Limit (dBuV/m)	Margin (dB)	Remark
1	2483.500	58.54	-10.65	47.89	74.00	-26.11	peak
2	2483.500	41.02	-10.65	30.37	54.00	-23.63	AVG
3	2483.566	62.63	-10.65	51.98	74.00	-22.02	peak
4	2483.566	41.06	-10.65	30.41	54.00	-23.59	AVG

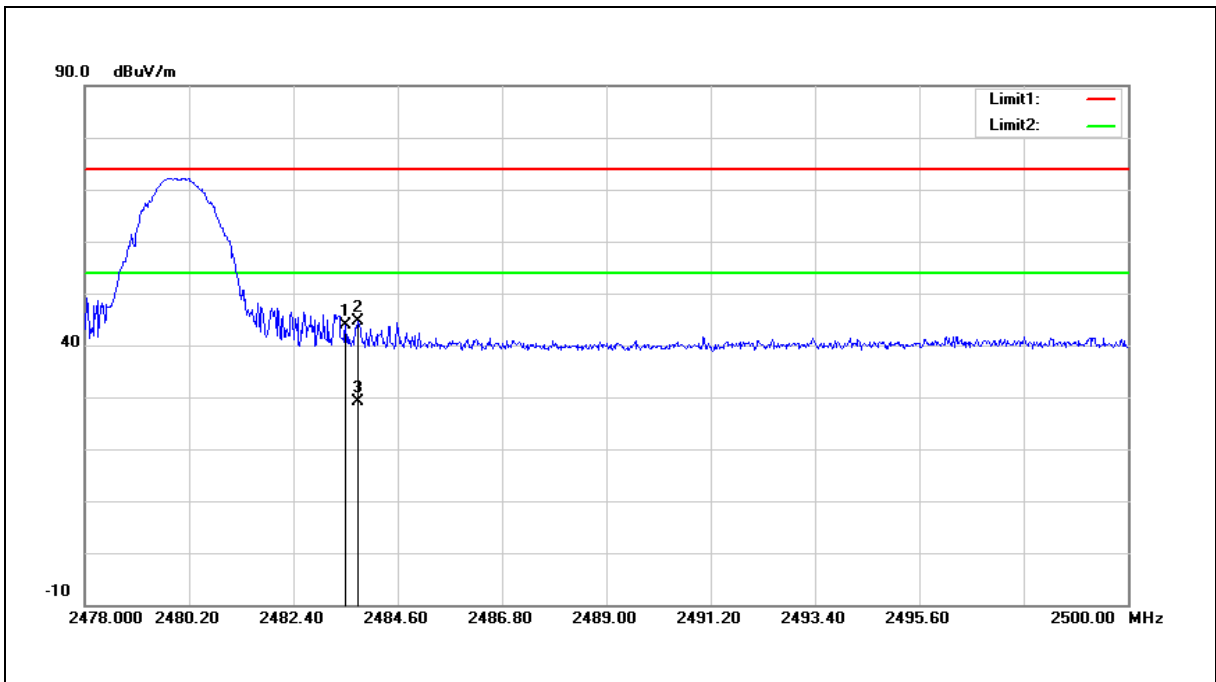
Note:1.Result (dBuV/m) = Correct Factor (dB/m) + Reading(dBuV).

2.Correction factor (dB/m) = Antenna Factor (dB/m) + Cable loss (dB) – Pre-Amplifier gain (dB).

3. When the peak results are less than average limit, so not need to evaluate the average.



Standard:	FCC Part 15.247	Test Distance:	3 m
Test item:	Band edge	Power:	AC 120 V/60 Hz
Frequency:	2480 MHz	Temp.(°C)/Hum.(%RH):	26(°C)/60 %RH
Mode:	Mode 4		
Ant.Polar.:	Vertical		



No.	Frequency (MHz)	Reading (dBuV)	Correct Factor (dB/m)	Result (dBuV/m)	Limit (dBuV/m)	Margin (dB)	Remark
1	2483.500	54.59	-10.65	43.94	74.00	-30.06	peak
2	2483.764	55.39	-10.65	44.74	74.00	-29.26	peak
3	2483.764	39.81	-10.65	29.16	54.00	-24.84	AVG

Note:1.Result (dBuV/m) = Correct Factor (dB/m) + Reading(dBuV).

2.Correction factor (dB/m) = Antenna Factor (dB/m) + Cable loss (dB) – Pre-Amplifier gain (dB).

3. When the peak results are less than average limit, so not need to evaluate the average.