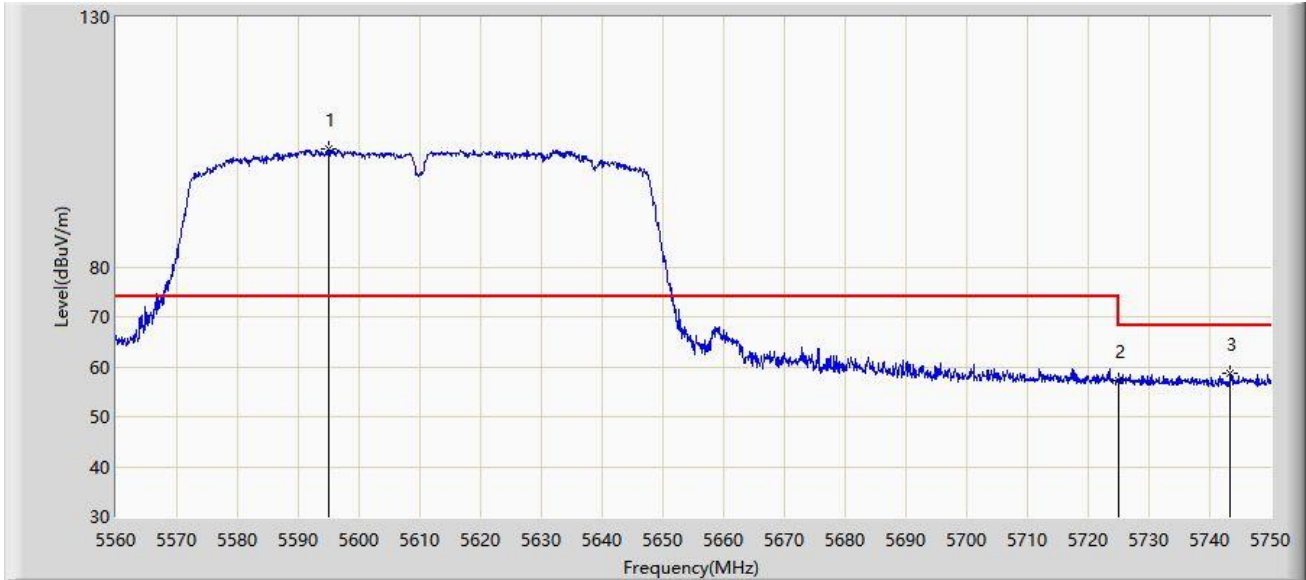


Site: WZ-AC2	Time: 2021/02/20 - 01:14
Limit: FCC_Part15.209_RE(3m)	Engineer: Hyde Yu
Probe: WZ-AC2_BBHA9120D_1-18GHz	Polarity: Vertical
EUT: WIFI+BT Combo Module	Power: By USB
Test Mode: Transmit by 802.11ac-VHT80 at Channel 5610MHz	

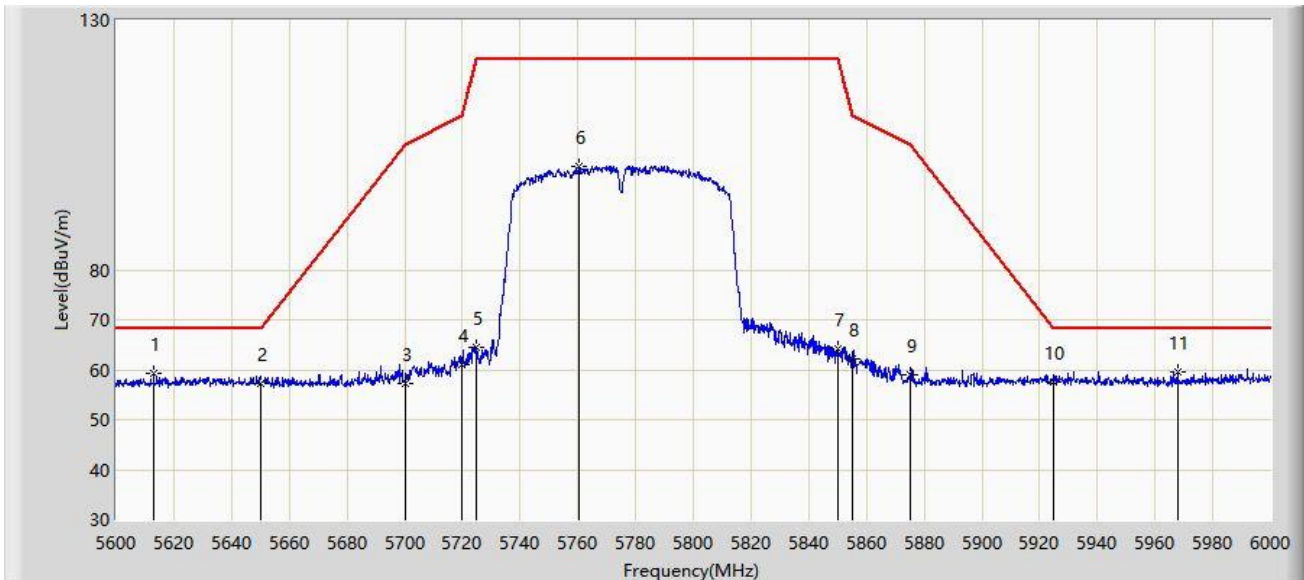


No	Flag	Mark	Frequency (MHz)	Measure Level (dBμV/m)	Reading Level (dBμV)	Margin (dB)	Limit (dBμV/m)	Factor (dB)	Type
1		*	5594.960	103.506	97.973	N/A	N/A	5.533	PK
2			5725.000	57.251	50.952	-10.949	68.200	6.299	PK
3			5743.445	58.643	52.406	-9.557	68.200	6.237	PK

Note: Measure Level (dBμV/m) = Reading Level (dBμV) + Factor (dB)

Factor (dB) = Cable Loss (dB) + Antenna Factor (dB/m) - Pre\_Amplifier Gain (dB)

Site: WZ-AC2	Time: 2021/02/20 - 01:15
Limit: FCC_Part15.407_RE(3m)	Engineer: Hyde Yu
Probe: WZ-AC2_BBHA9120D_1-18GHz	Polarity: Horizontal
EUT: WIFI+BT Combo Module	Power: By USB
Test Mode: Transmit by 802.11ac-VHT80 at Channel 5775MHz	

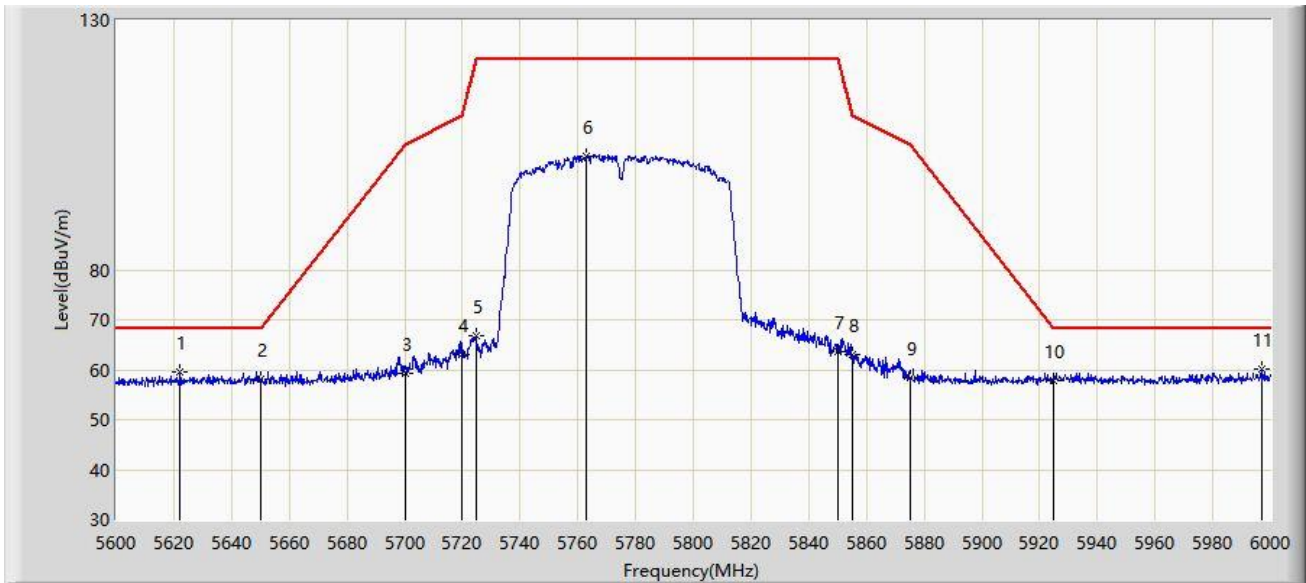


No	Flag	Mark	Frequency (MHz)	Measure Level (dBμV/m)	Reading Level (dBμV)	Margin (dB)	Limit (dBμV/m)	Factor (dB)	Type
1			5613.000	59.395	53.811	-8.805	68.200	5.584	PK
2			5650.000	57.214	51.211	-10.986	68.200	6.003	PK
3			5700.000	57.207	51.048	-47.993	105.200	6.159	PK
4			5720.000	60.999	54.710	-49.801	110.800	6.288	PK
5			5725.000	64.605	58.306	-57.595	122.200	6.299	PK
6			5760.200	100.691	94.345	N/A	N/A	6.345	PK
7			5850.000	64.173	57.410	-58.027	122.200	6.763	PK
8			5855.000	62.105	55.380	-48.695	110.800	6.725	PK
9			5875.000	59.087	52.483	-46.113	105.200	6.603	PK
10			5925.000	57.520	50.523	-10.680	68.200	6.998	PK
11		*	5967.800	59.622	52.838	-8.578	68.200	6.784	PK

Note: Measure Level (dBμV/m) = Reading Level (dBμV) + Factor (dB)

Factor (dB) = Cable Loss (dB) + Antenna Factor (dB/m) - Pre\_Amplifier Gain (dB)

Site: WZ-AC2	Time: 2021/02/20 - 01:16
Limit: FCC_Part15.407_RE(3m)	Engineer: Hyde Yu
Probe: WZ-AC2_BBHA9120D_1-18GHz	Polarity: Vertical
EUT: WIFI+BT Combo Module	Power: By USB
Test Mode: Transmit by 802.11ac-VHT80 at Channel 5775MHz	



No	Flag	Mark	Frequency (MHz)	Measure Level (dBμV/m)	Reading Level (dBμV)	Margin (dB)	Limit (dBμV/m)	Factor (dB)	Type
1			5622.200	59.554	53.837	-8.646	68.200	5.717	PK
2			5650.000	58.037	52.034	-10.163	68.200	6.003	PK
3			5700.000	59.324	53.165	-45.876	105.200	6.159	PK
4			5720.000	62.947	56.658	-47.853	110.800	6.288	PK
5			5725.000	66.883	60.584	-55.317	122.200	6.299	PK
6			5763.000	102.838	96.462	N/A	N/A	6.376	PK
7			5850.000	63.634	56.871	-58.566	122.200	6.763	PK
8			5855.000	63.145	56.420	-47.655	110.800	6.725	PK
9			5875.000	58.374	51.770	-46.826	105.200	6.603	PK
10			5925.000	57.728	50.731	-10.472	68.200	6.998	PK
11		*	5996.800	60.279	52.959	-7.921	68.200	7.320	PK

Note: Measure Level (dBμV/m) = Reading Level (dBμV) + Factor (dB)

Factor (dB) = Cable Loss (dB) + Antenna Factor (dB/m) - Pre\_Amplifier Gain (dB)

## 6.10. AC Conducted Emissions Measurement

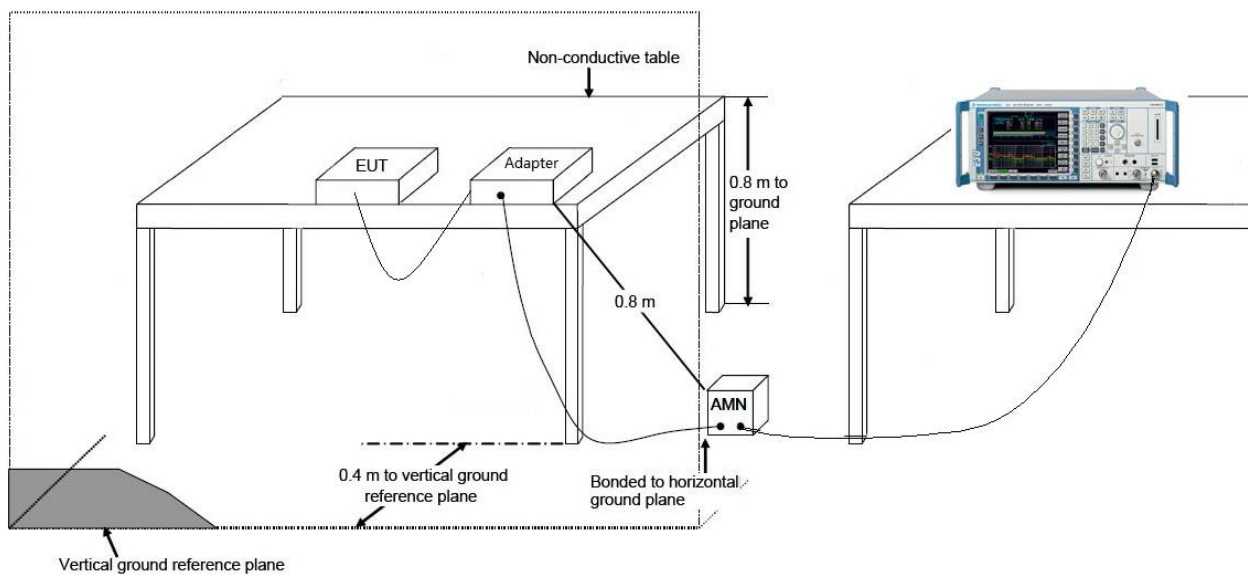
### 6.10.1. Test Limit

RSS-GEN Limits		
Frequency (MHz)	QP (dB $\mu$ V)	AV (dB $\mu$ V)
0.15 - 0.50	66 - 56	56 - 46
0.50 - 5.0	56	46
5.0 - 30	60	50

Note 1: The lower limit shall apply at the transition frequencies.

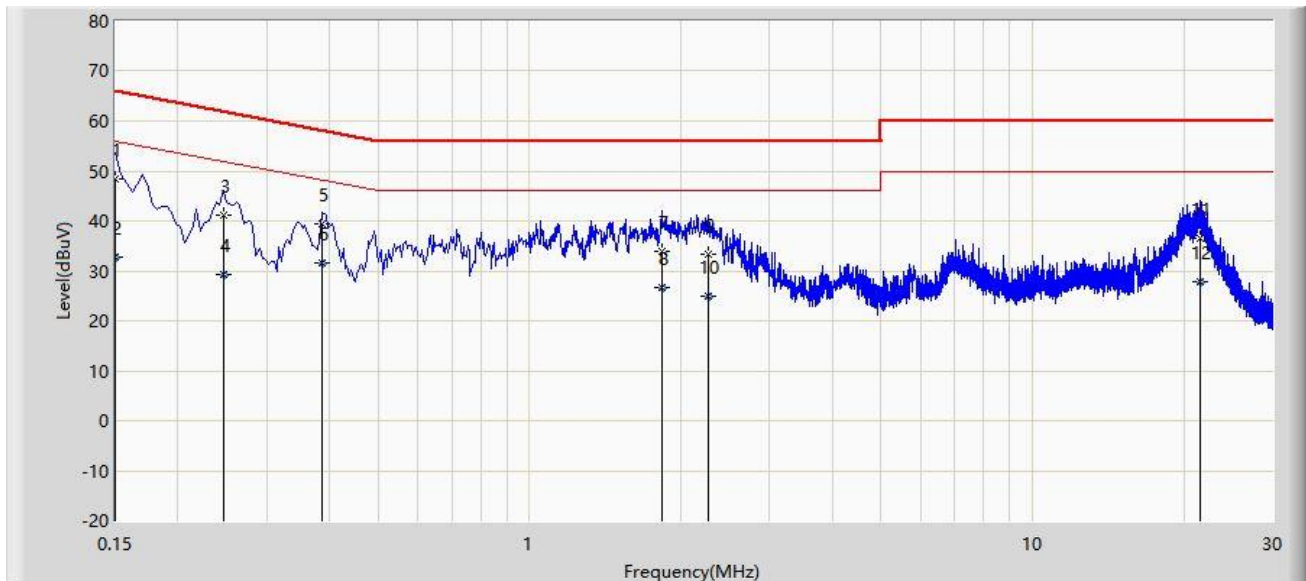
Note 2: The limit decreases linearly with the logarithm of the frequency in the range 0.15MHz to 0.5MHz.

### 6.10.2. Test Setup



### 6.10.3. Test Result

Site: WZ-SR2	Time: 2021/02/01
Limit: FCC_Part15.207_CE_AC Power	Engineer: Hyde Yu
Probe: ENV216_101683_Filter Off_With Adapter	Polarity: Line
EUT: WIFI+BT Combo Module	Power: AC 120V/60Hz
Test Mode: Transmit by 802.11a at Channel 5180MHz	

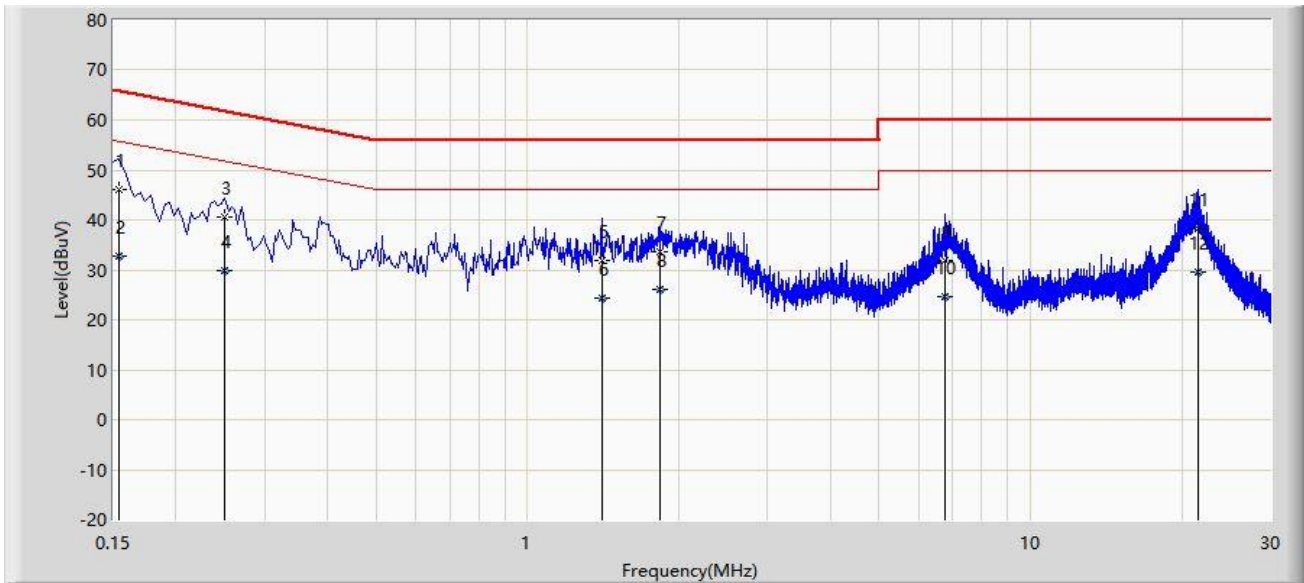


No	Flag	Mark	Frequency (MHz)	Measure Level (dBμV)	Reading Level (dBμV)	Margin (dB)	Limit (dBμV)	Factor (dB)	Type
1			0.150	48.317	38.875	-17.683	66.000	9.441	QP
2			0.150	32.870	23.429	-23.130	56.000	9.441	AV
3			0.246	41.255	31.793	-20.636	61.891	9.462	QP
4			0.246	29.204	19.742	-22.687	51.891	9.462	AV
5			0.386	39.303	29.816	-18.847	58.149	9.487	QP
6		*	0.386	31.550	22.063	-16.600	48.149	9.487	AV
7			1.830	33.824	24.256	-22.176	56.000	9.568	QP
8			1.830	26.584	17.016	-19.416	46.000	9.568	AV
9			2.262	33.197	23.619	-22.803	56.000	9.578	QP
10			2.262	24.982	15.404	-21.018	46.000	9.578	AV
11			21.502	36.549	26.266	-23.451	60.000	10.283	QP
12			21.502	27.711	17.428	-22.289	50.000	10.283	AV

Note: Measure Level (dBμV) = Reading Level (dBμV) + Factor (dB)

Factor (dB) = Cable Loss (dB) + LISN Factor (dB).

Site: WZ-SR2	Time: 2021/02/01
Limit: FCC_Part15.207_CE_AC Power	Engineer: Hyde Yu
Probe: ENV216_101683_Filter Off_With Adapter	Polarity: Neutral
EUT: WIFI+BT Combo Module	Power: AC 120V/60Hz
Test Mode: Transmit by 802.11a at Channel 5180MHz	



No	Flag	Mark	Frequency (MHz)	Measure Level (dBμV)	Reading Level (dBμV)	Margin (dB)	Limit (dBμV)	Factor (dB)	Type
1		*	0.154	46.019	36.577	-19.762	65.781	9.442	QP
2			0.154	32.858	23.416	-22.924	55.781	9.442	AV
3			0.250	40.717	31.254	-21.040	61.757	9.463	QP
4			0.250	29.979	20.515	-21.778	51.757	9.463	AV
5			1.406	31.795	22.225	-24.205	56.000	9.570	QP
6			1.406	24.344	14.774	-21.656	46.000	9.570	AV
7			1.838	33.614	24.044	-22.386	56.000	9.570	QP
8			1.838	26.201	16.631	-19.799	46.000	9.570	AV
9			6.770	31.985	22.203	-28.015	60.000	9.782	QP
10			6.770	24.680	14.898	-25.320	50.000	9.782	AV
11			21.578	38.209	27.875	-21.791	60.000	10.334	QP
12			21.578	29.596	19.262	-20.404	50.000	10.334	AV

Note: Measure Level (dBμV) = Reading Level (dBμV) + Factor (dB)

Factor (dB) = Cable Loss (dB) + LISN Factor (dB).

## 7. CONCLUSION

The data collected relate only the item(s) tested and show that the device is in compliance with Part 15E of the FCC rules and ISED rules.

————— The End —————

## Appendix A - Test Setup Photograph

Refer to "2101RSU052-UT" file.



## Appendix B - EUT Photograph

Refer to "2101RSU052-UE" file.