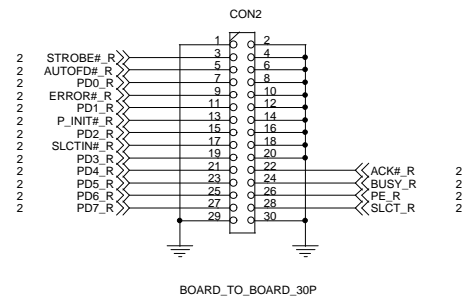


Delete L1



APPROVED : \_\_\_\_\_  
 CHECK : \_\_\_\_\_  
 PREPARE : \_\_\_\_\_

