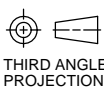
 台達電子工業股份有限公司 DELTA ELECTRONICS, INC.		Drawn: xx/xx/xxxx	Design: xx/xx/xxxx
THESE DRAWINGS AND SPECIFICATIONS ARE THE PROPERTY OF DELTA ELECTRONICS, INC. AND SHALL NOT BE REPRODUCED OR USED AS THE BASIS FOR THE MANUFACTURE OR SELL OF APPARATUS OR DEVICES WITHOUT PERMISSION.		 THIRD ANGLE PROJECTION	Description: XXXXXXXX
DIMENSIONAL TOLERANCES () () V () () <30 :±0.25 DECIMALS UP-100 :±0.2 250-300 :±0.4 UP-600 :±1.5 >30-100 :±0.35 X :±0.3 100-150 :±0.25 300-350 :±0.45 600-900 :±2.4 >100-300 :±0.5 X.X :±0.2 150-200 :±0.3 350-400 :±0.5 900-OVER :±3.1 ABOVE 300 :±0.6 X.XX:±0.1 200-250 :±0.35		A4 SIZE	Part No. XXX
SCALE 1:1	UNIT mm		USED ON xxxxxx