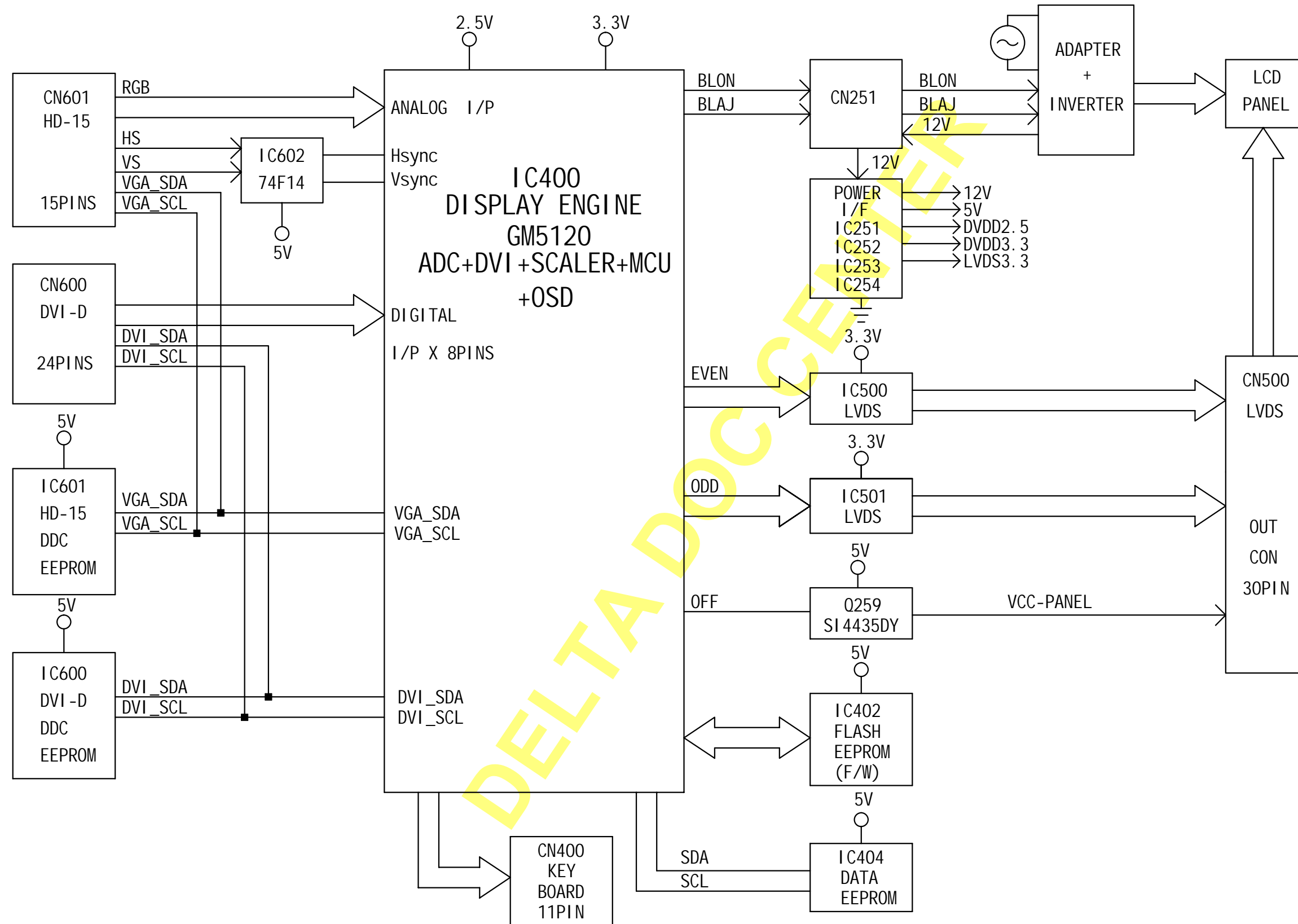


# L19DBR 09AAB/BAB LCD MONITOR BLOCK DIAGRAM



Date: 07-23-2003 LY.REV: S01 Drawn: Y.T.LEE

PWB: 039700-1

FILE NAME: L19J

Checked

JF.KONG  
07-23-2003

Approved

WP.Liu  
07-23-2003

PART NO.

L19DAR 09AAB/BAB

REV.

S01

SHEET

2 TO 3

DESCRIPTION:  
SCHEMATIC OF LCD MONITOR