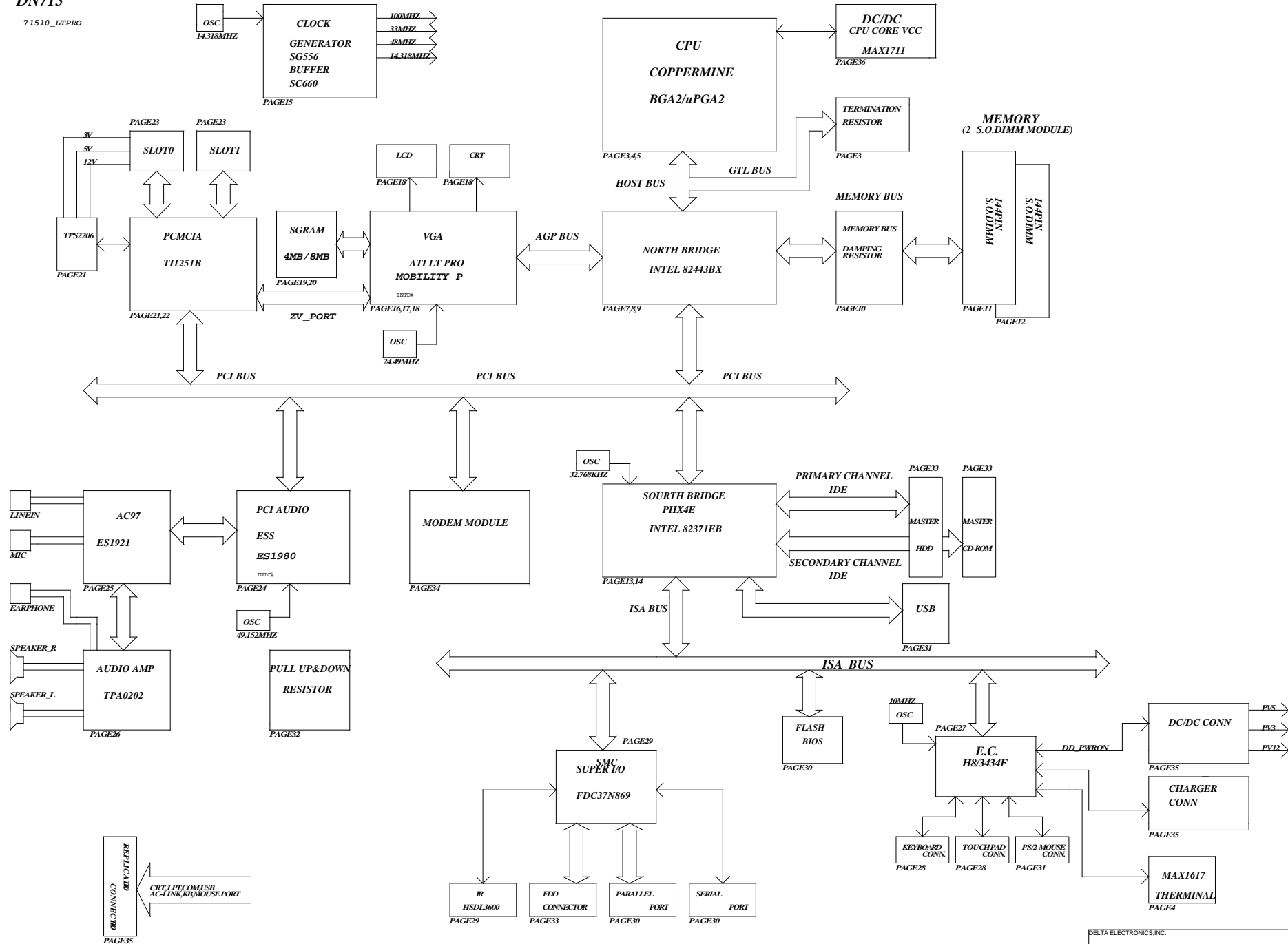
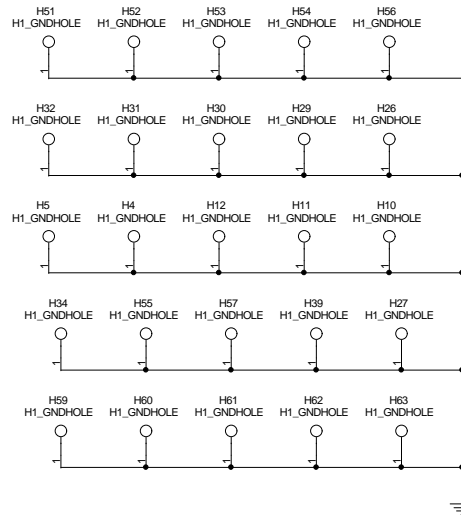
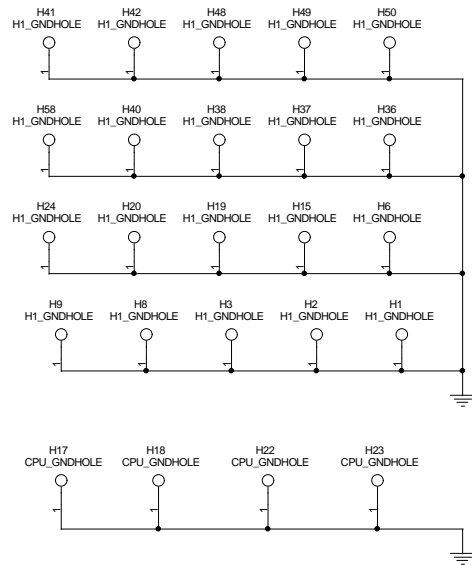
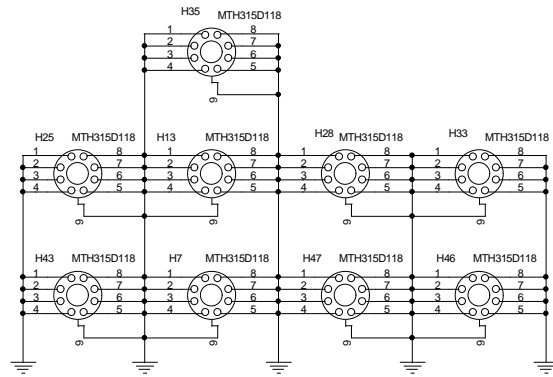


DN715

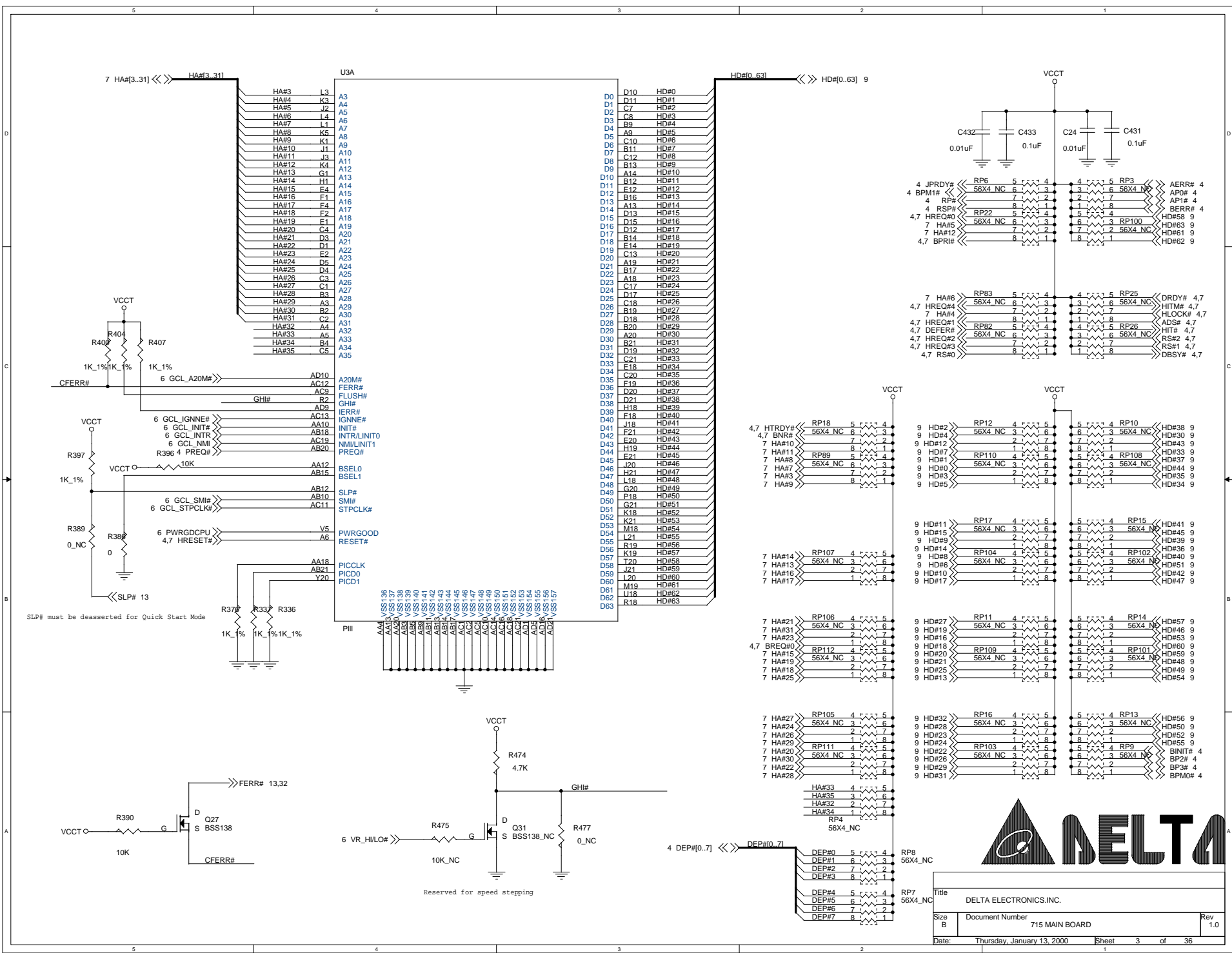
71510\_LTPRO





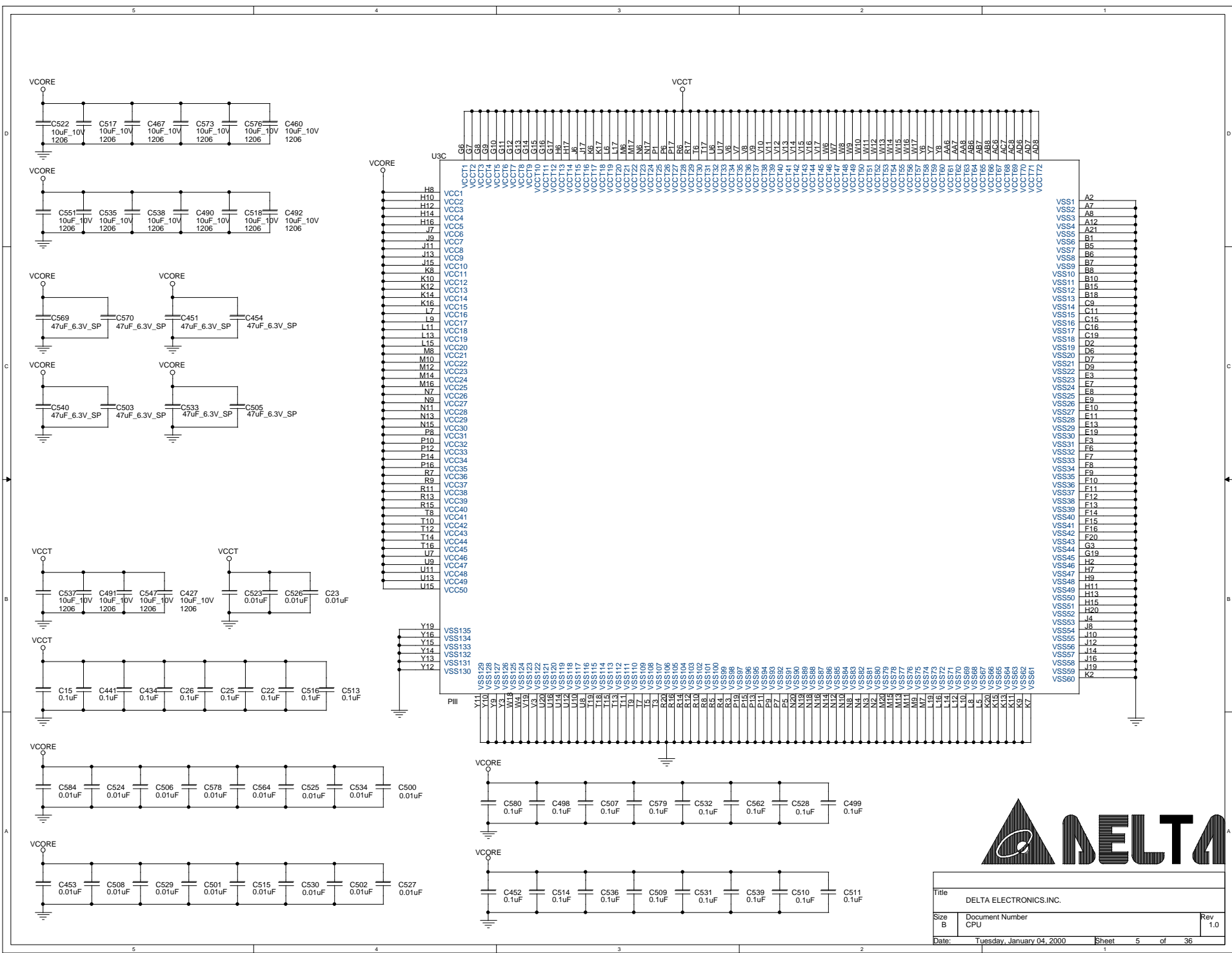
DELTA ELECTRONICS, INC.

Size B	Document Number DN-715 MAIN BOARD	Rev 1.0
Date: Monday, January 10, 2000	Sheet 2	of 36

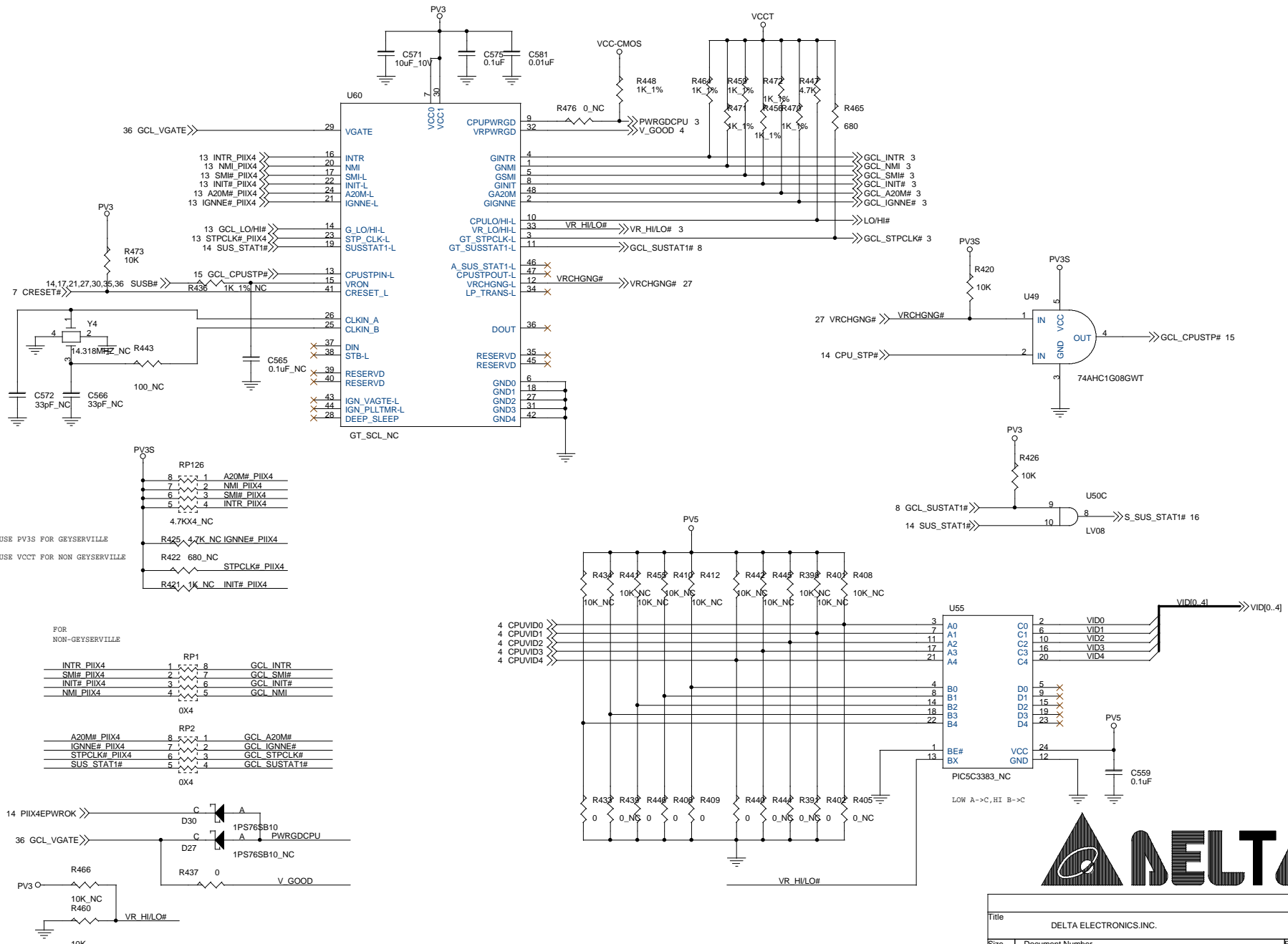


Title		
DELTA ELECTRONICS INC.		
Size	Document Number	Rev
B	715 MAIN BOARD	1.0
Date:	Thursday, January 13, 2000	Sheet 3 of 36



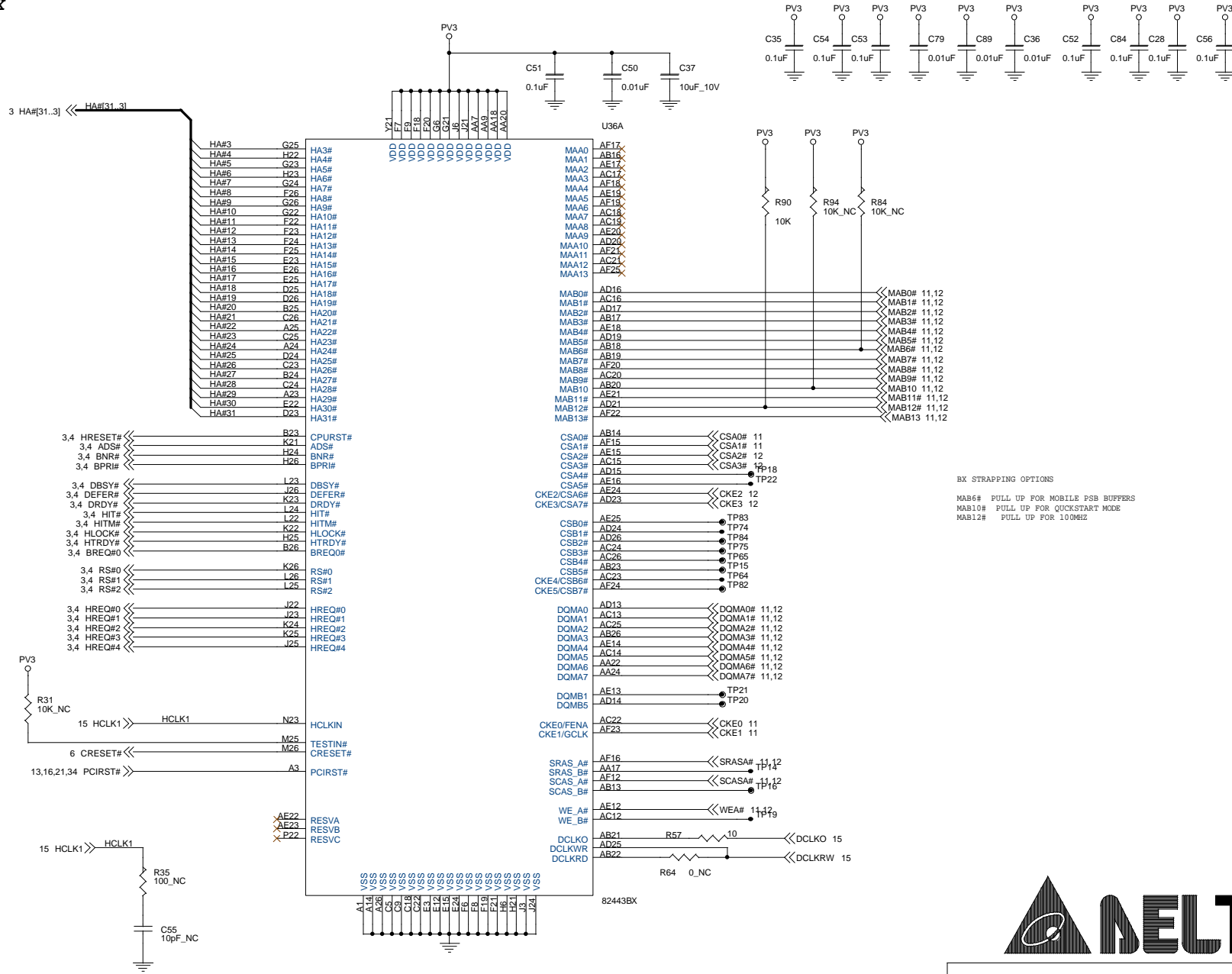


Title			DELTA ELECTRONICS, INC.		
Size	Document Number	Rev			
B	CPU	1.0			
Date:	Tuesday, January 04, 2000	Sheet	5	of	36



Title		
DELTA ELECTRONICS, INC.		
Size	Document Number	Rev
B	DN715 GEYSERVILLE	1.0
Date:	Monday, January 17, 2000	Sheet 6 of 36

443BX

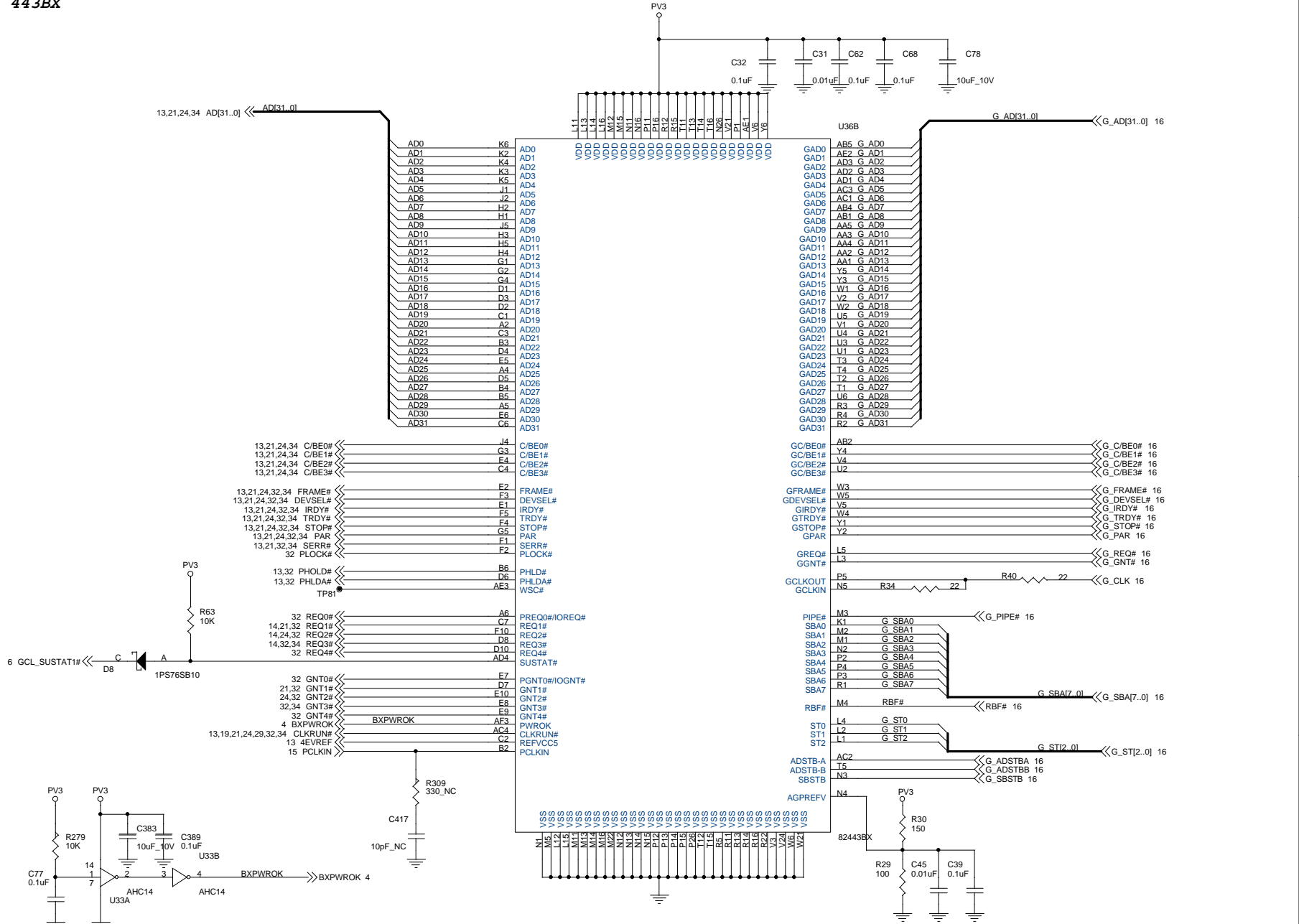


BX STRAPPING OPTIONS  
MAB6# PULL UP FOR MOBILE PSB BUFFERS  
MAB10# PULL UP FOR QUICKSTART MODE  
MAB12# PULL UP FOR 100MHz

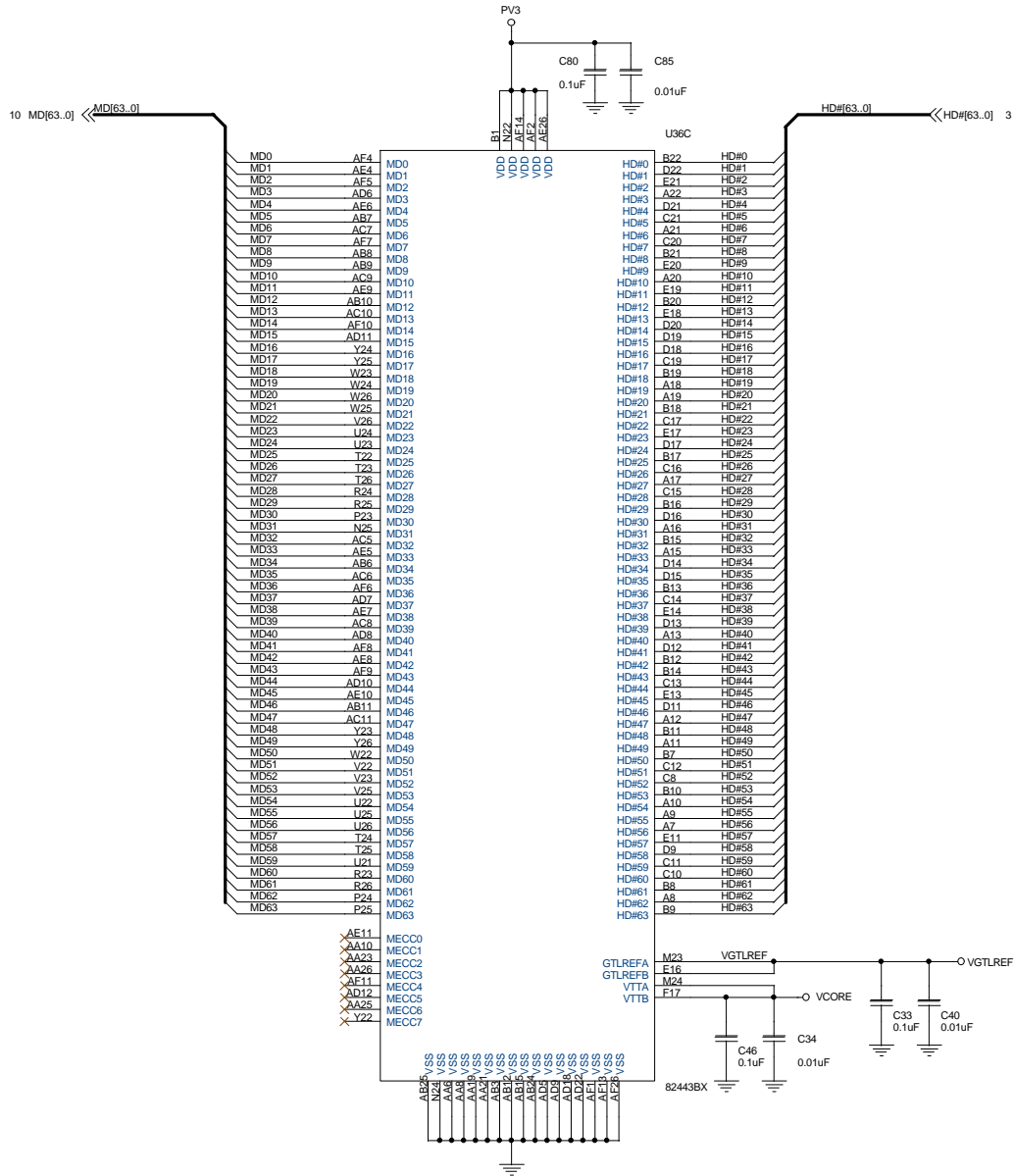


Title		
DELTA ELECTRONICS INC.		
Size	Document Number	Rev
B	DN-715 MAIN BOARD	1.0
Date:	Monday, January 10, 2000	Sheet 7 of 36

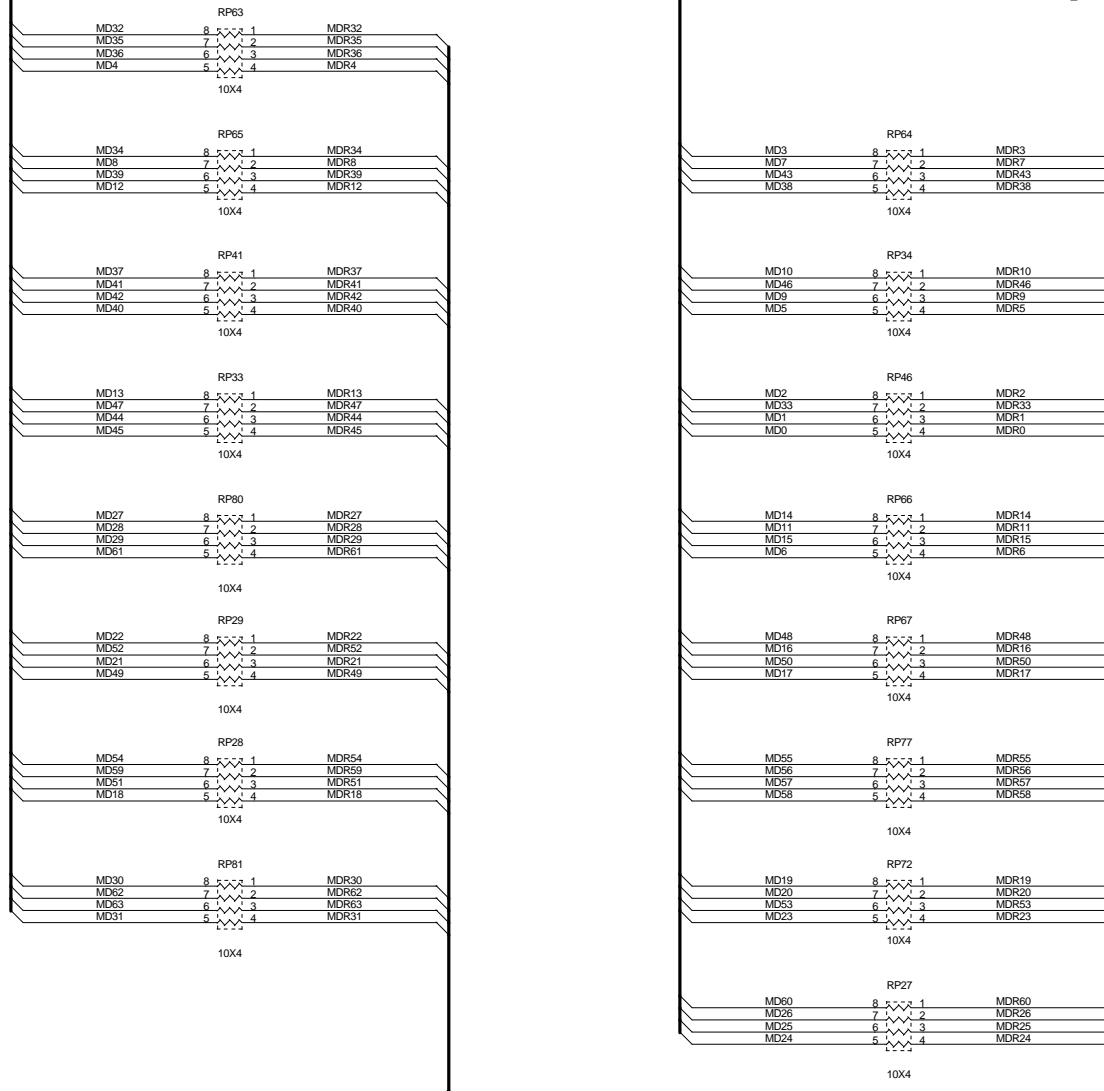
443BX

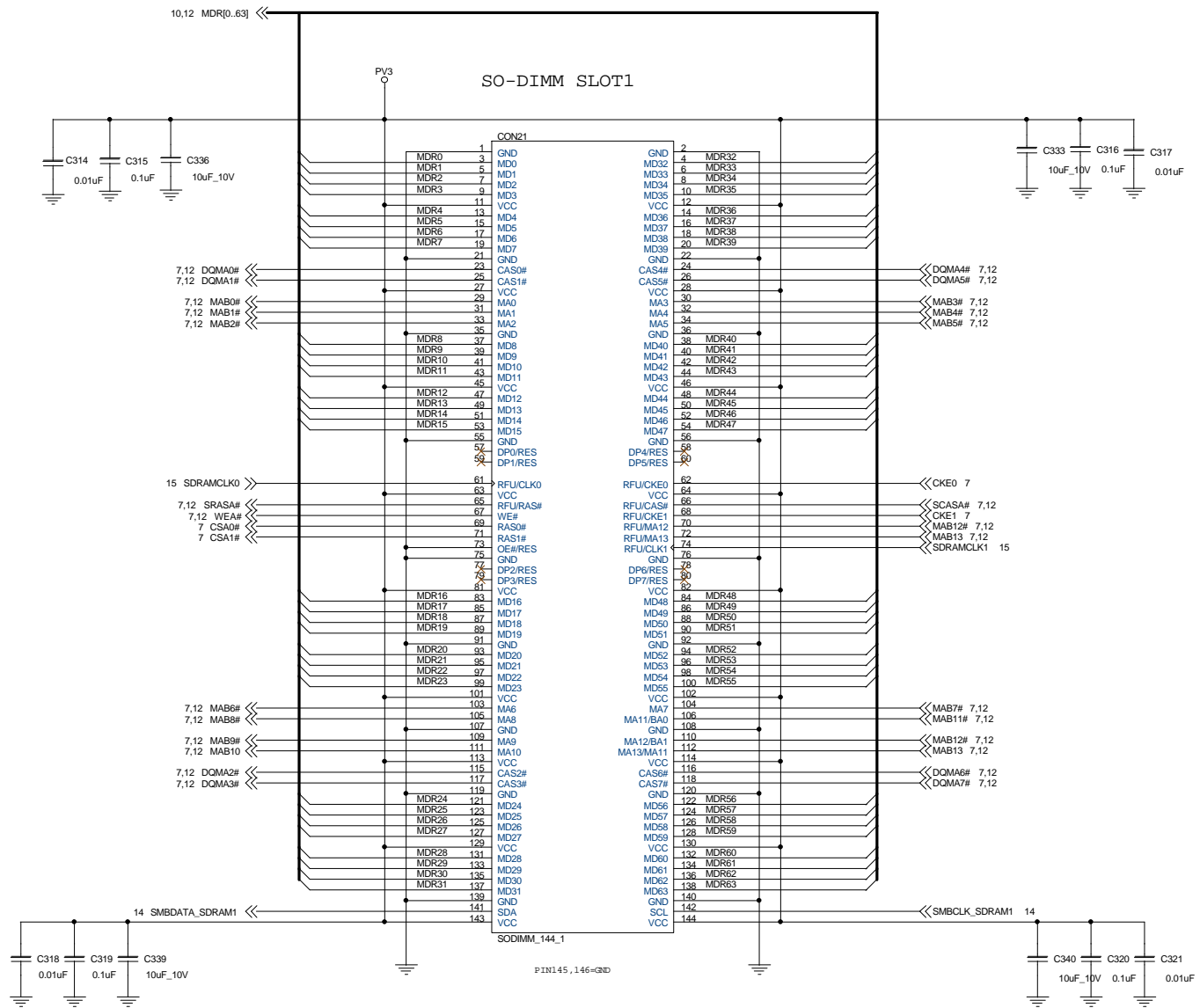


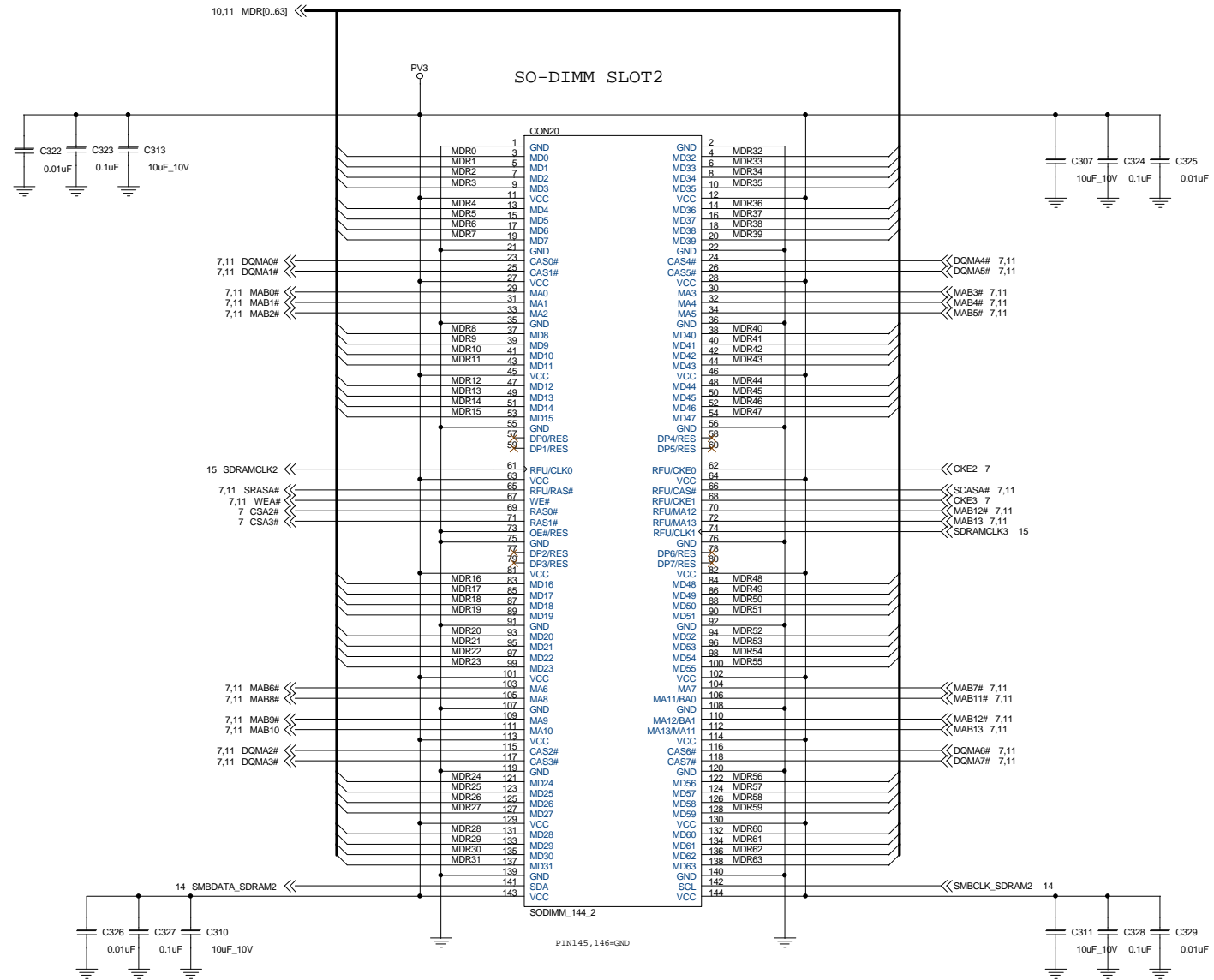


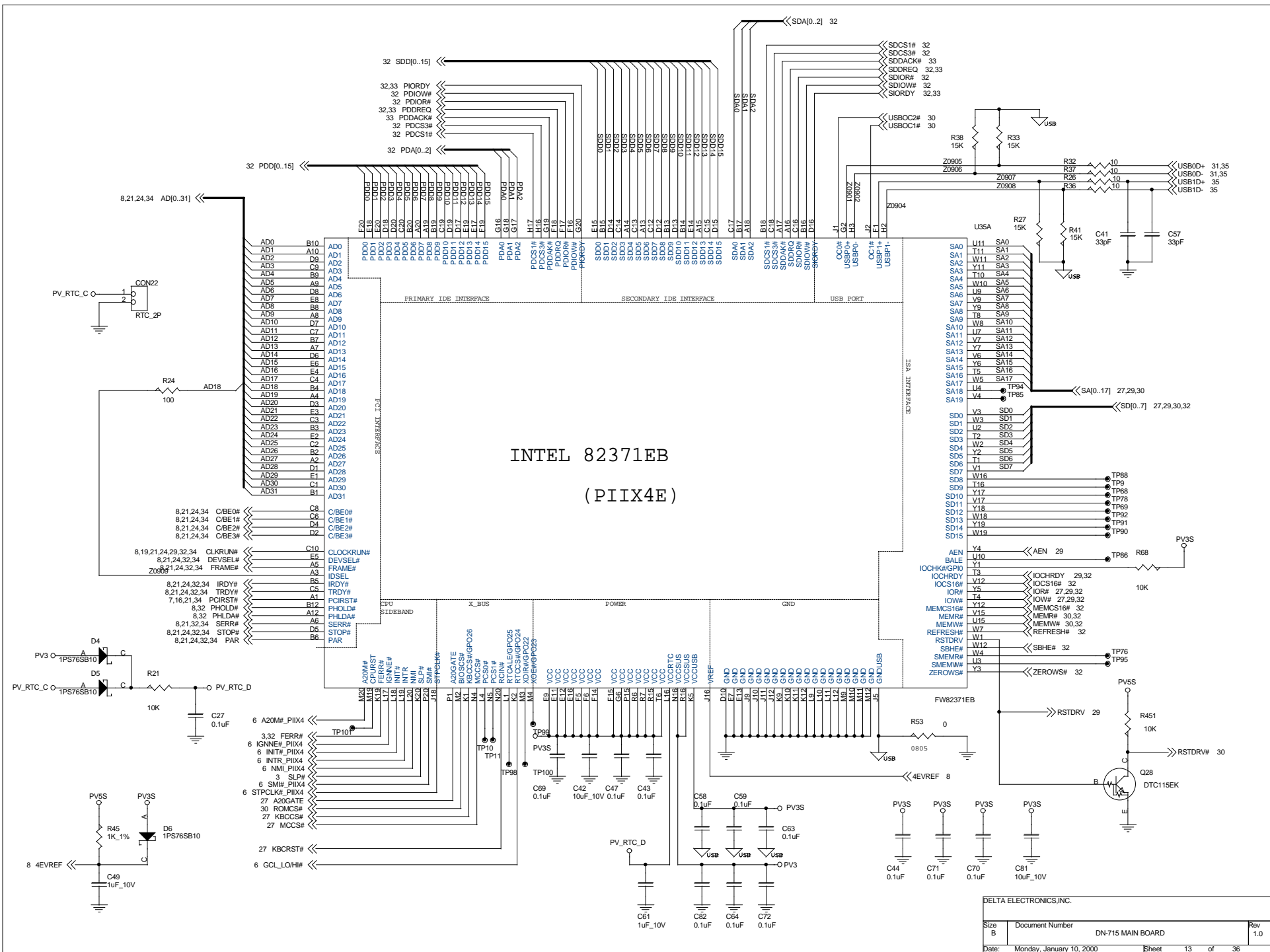


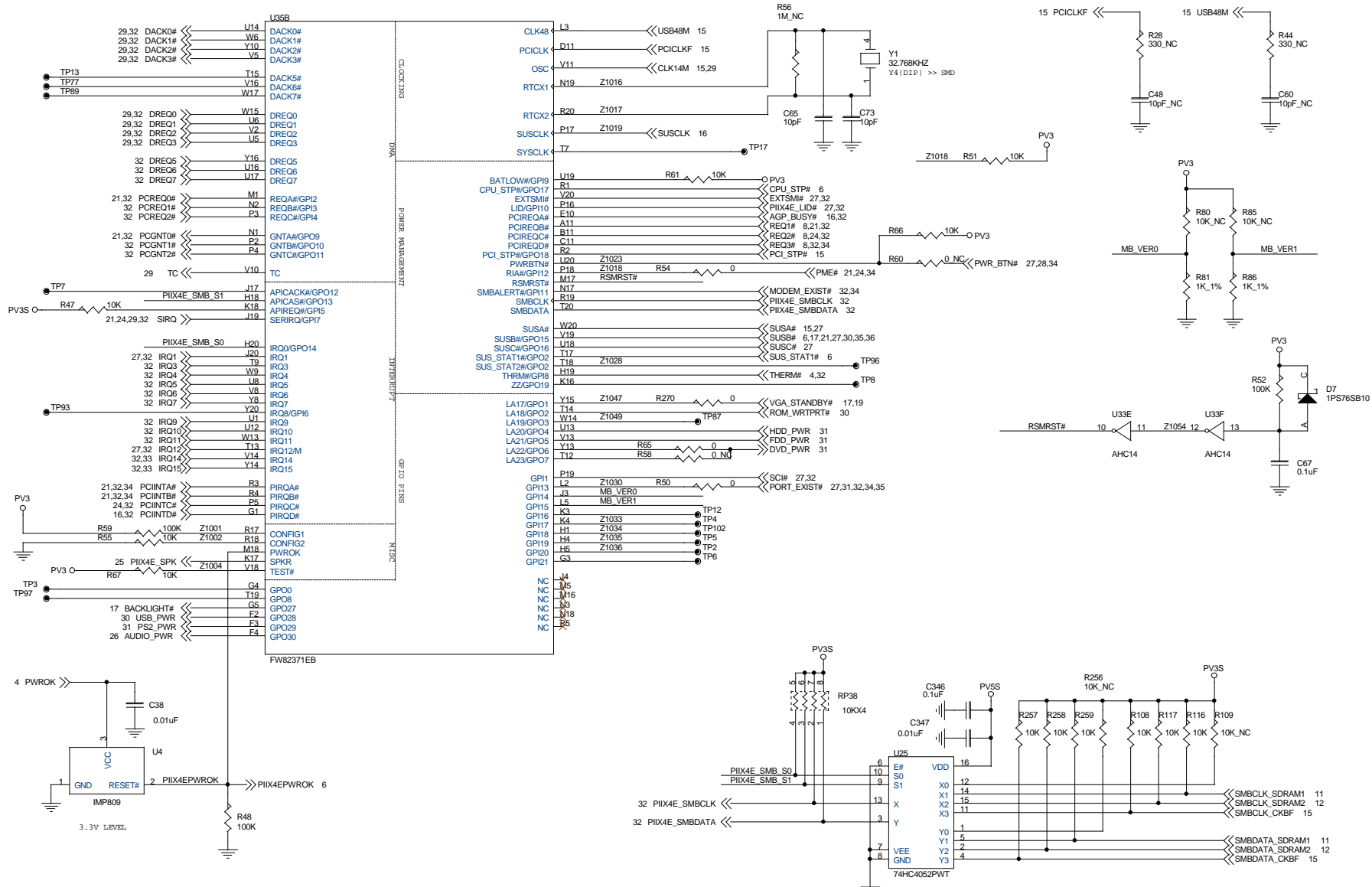
SO-DIMM Data Bus Damping Resistor









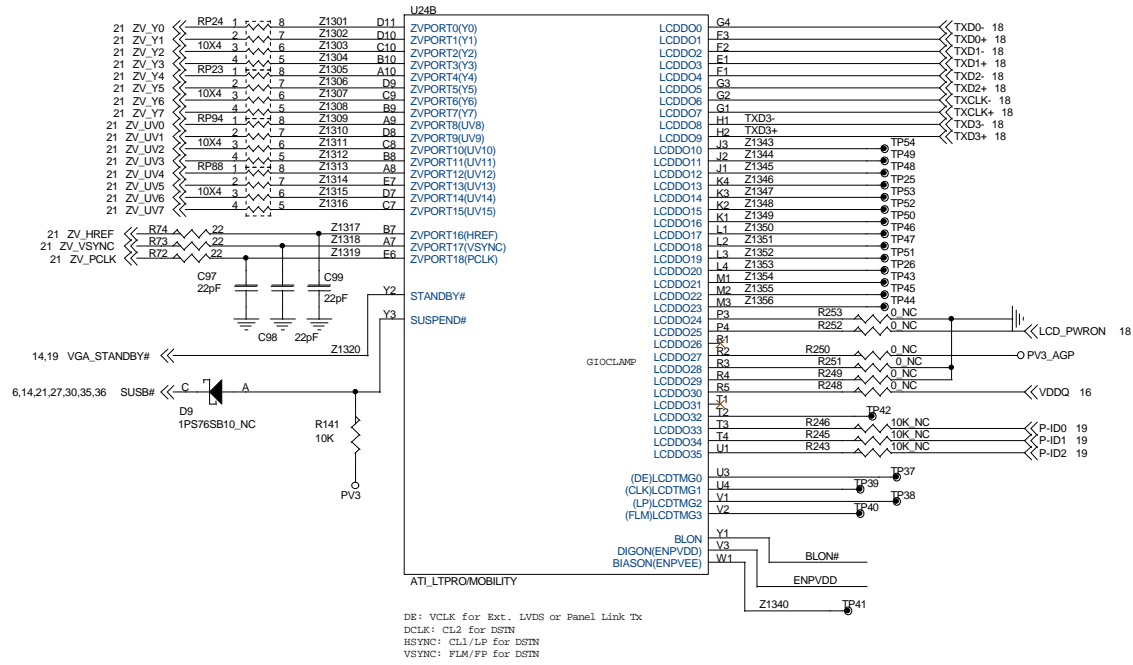






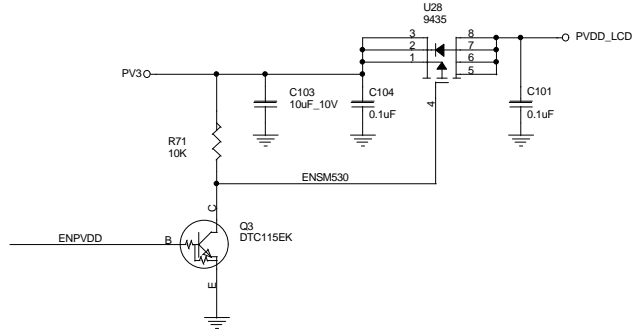
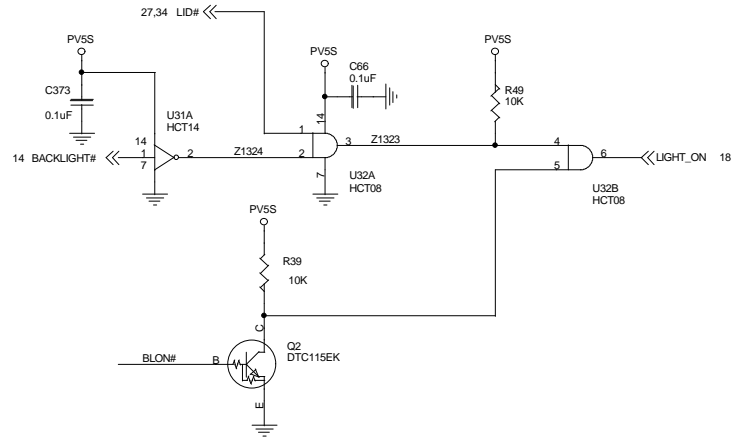


VGA

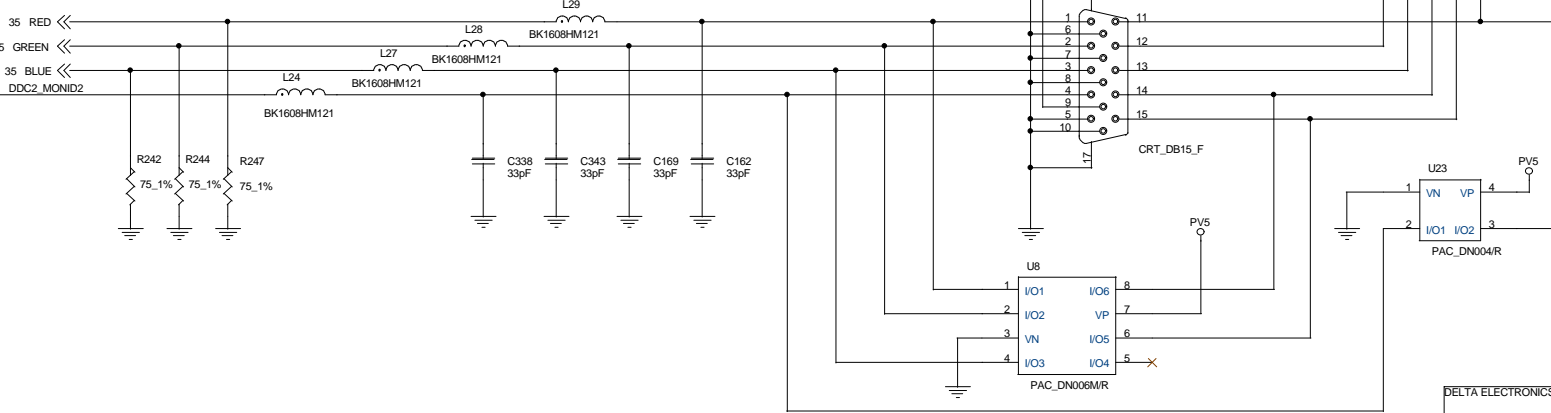
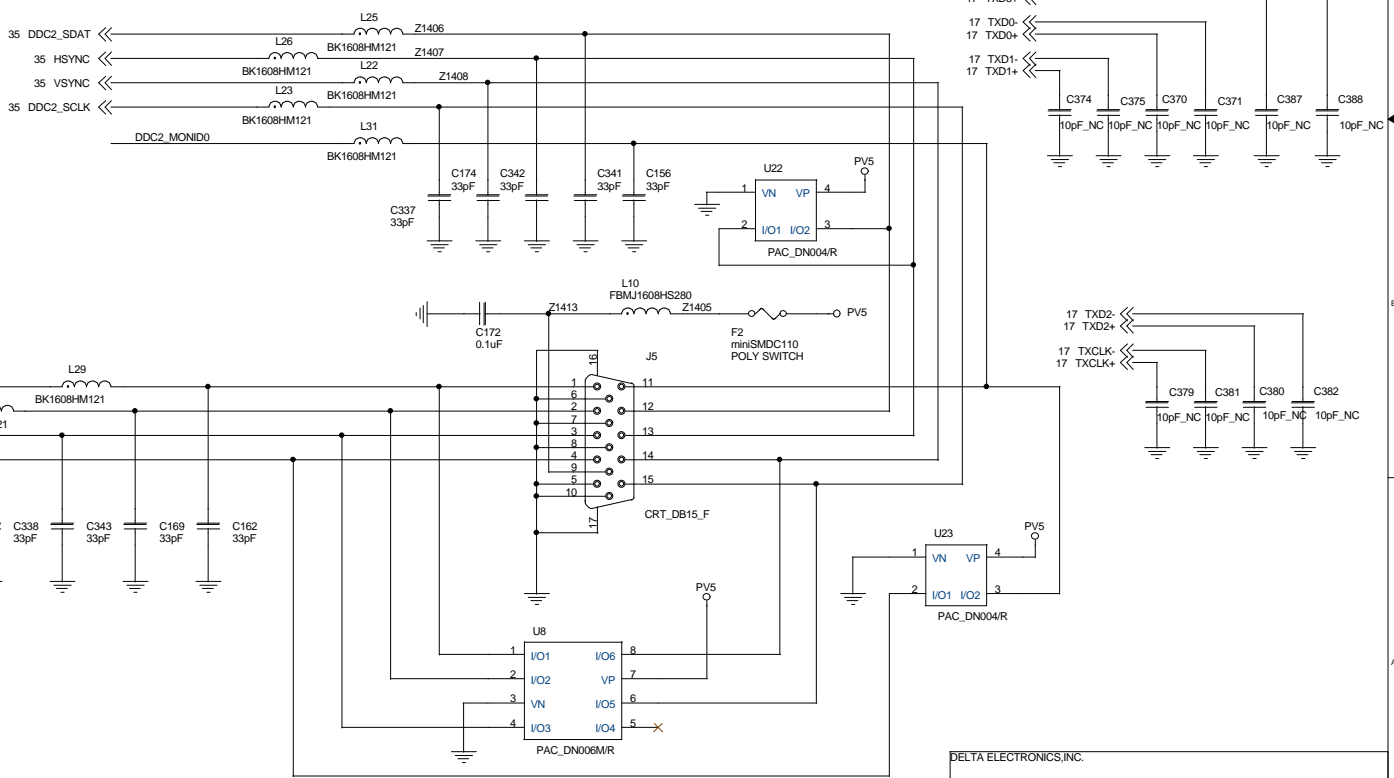
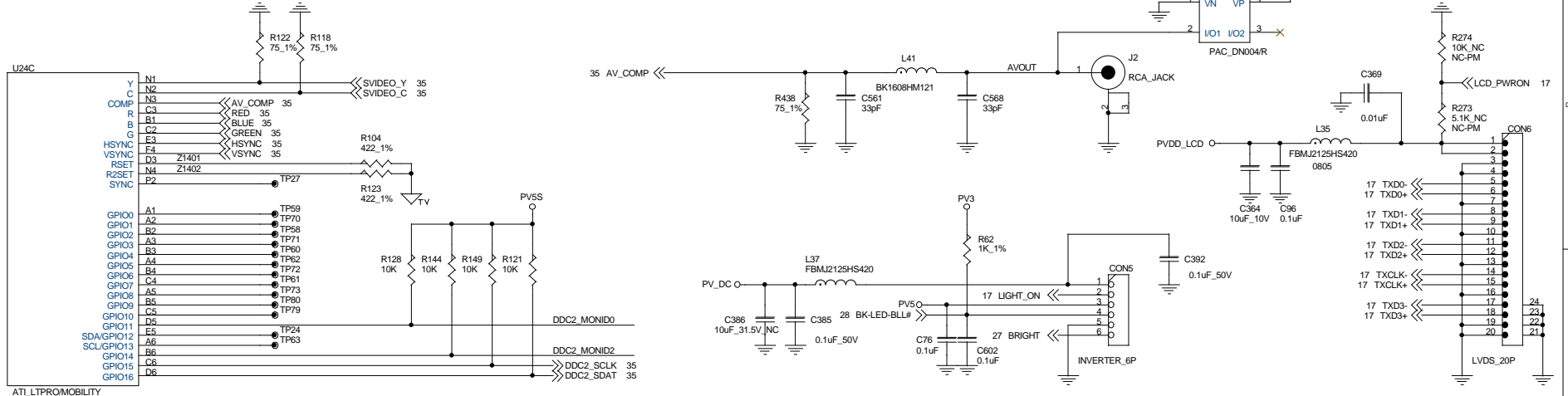


PIN R3, R4, P3 FOR LITPRO NC FOR M/P GN

PIN R5 FOR LITPRO & P NC, FOR M GN

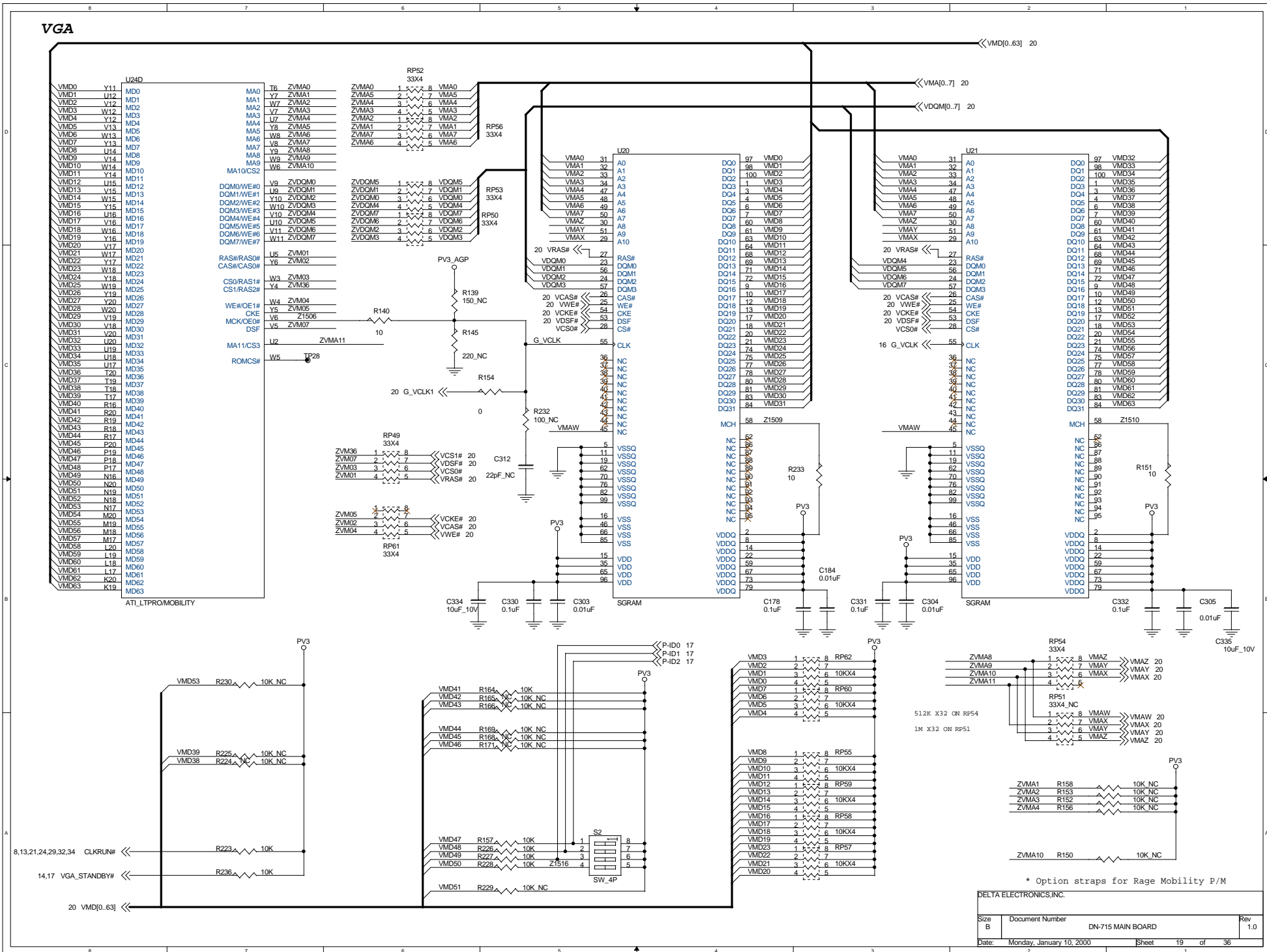


VGA



DELTA ELECTRONICS, INC.		
Size B	Document Number	Rev
	DN-715 MAIN BOARD	1.0
Date:	Monday, January 10, 2000	Sheet 18 of 36

**VGA**



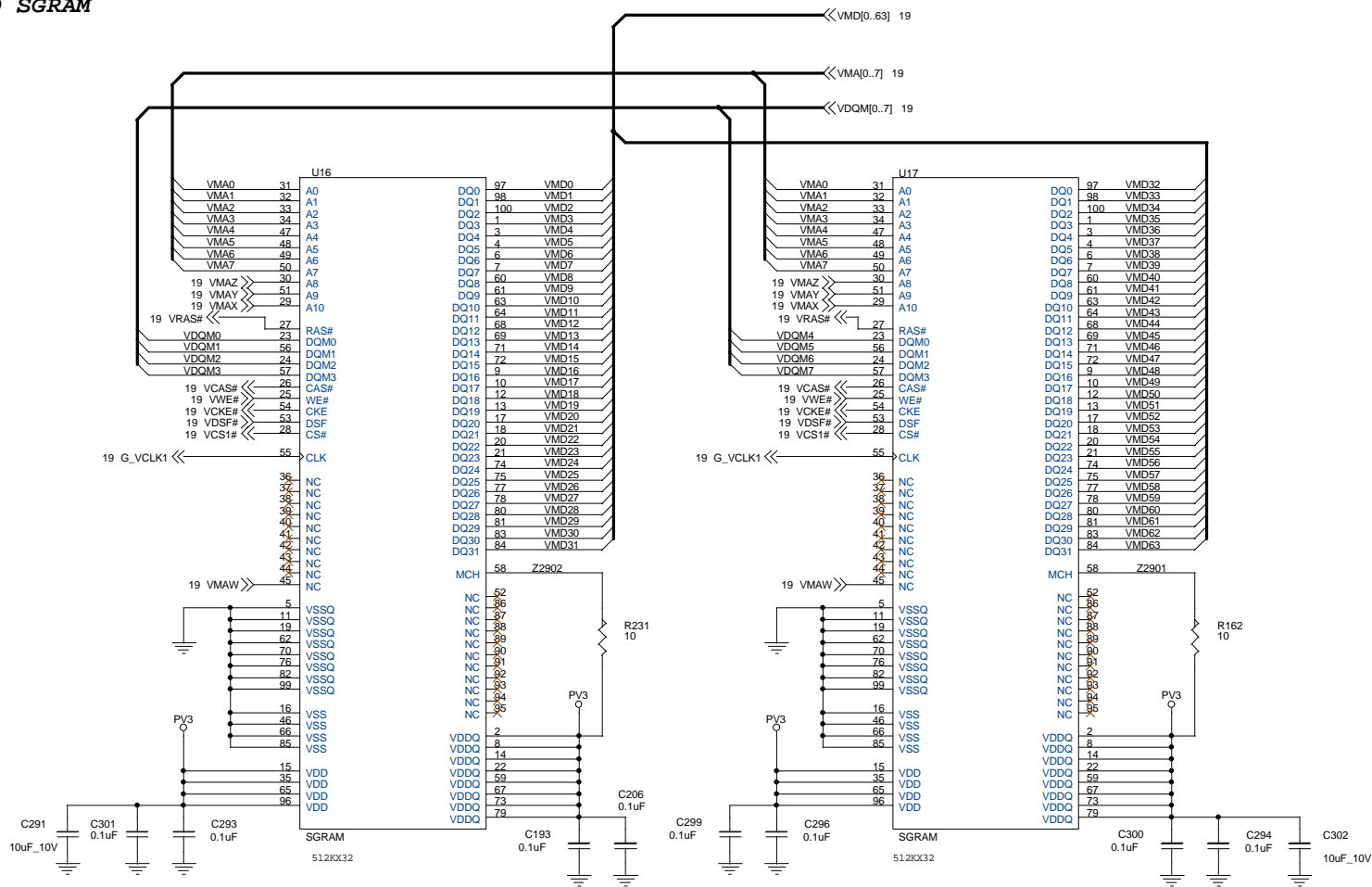
\* Option straps for Rage Mobility P/M

DELTA ELECTRONICS, INC.

Size B	Document Number	Rev
	DN-715 MAIN BOARD	1.0

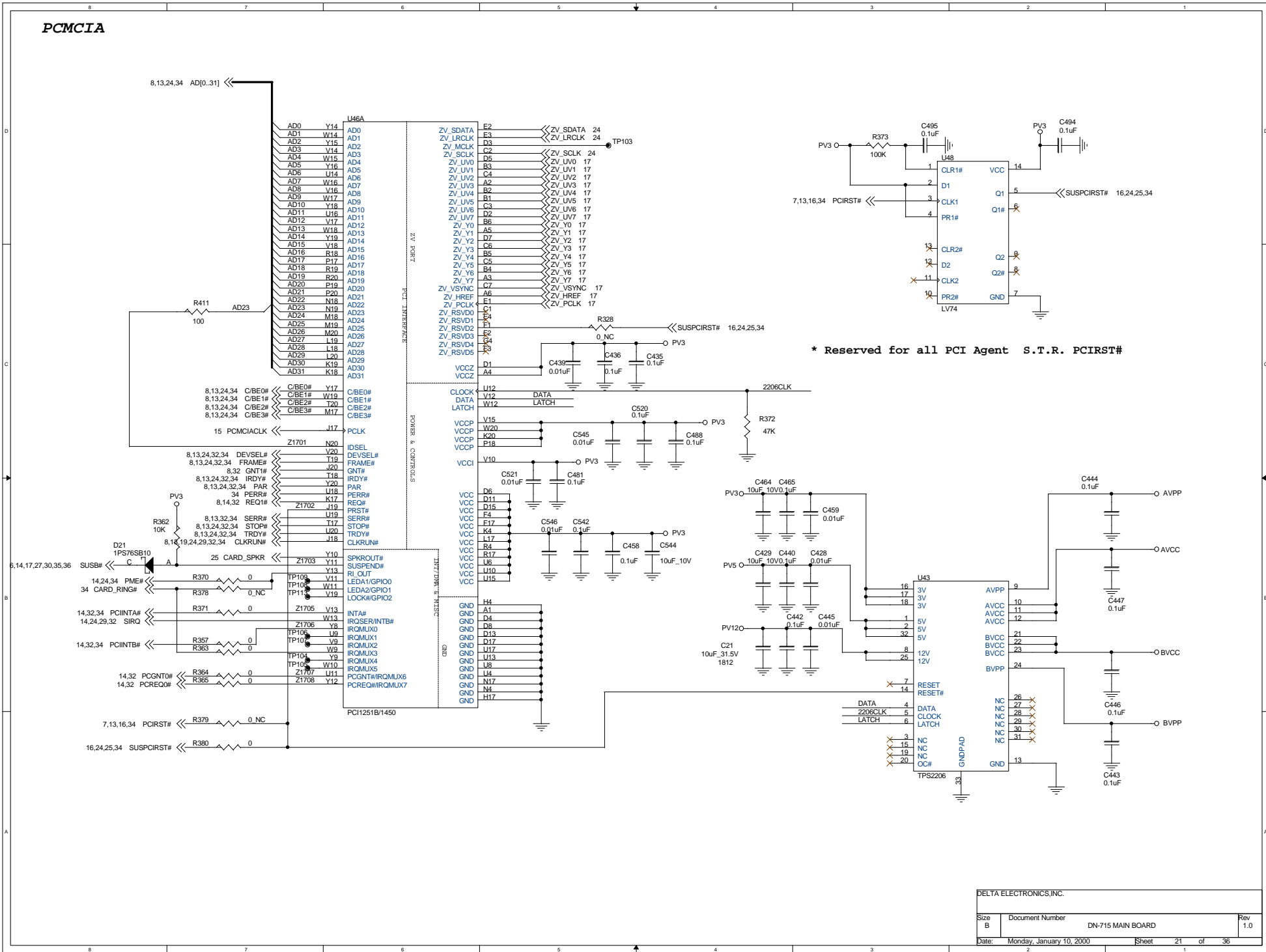
Date: Monday, January 10, 2000 Sheet 19 of 36

VIDEO SGRAM

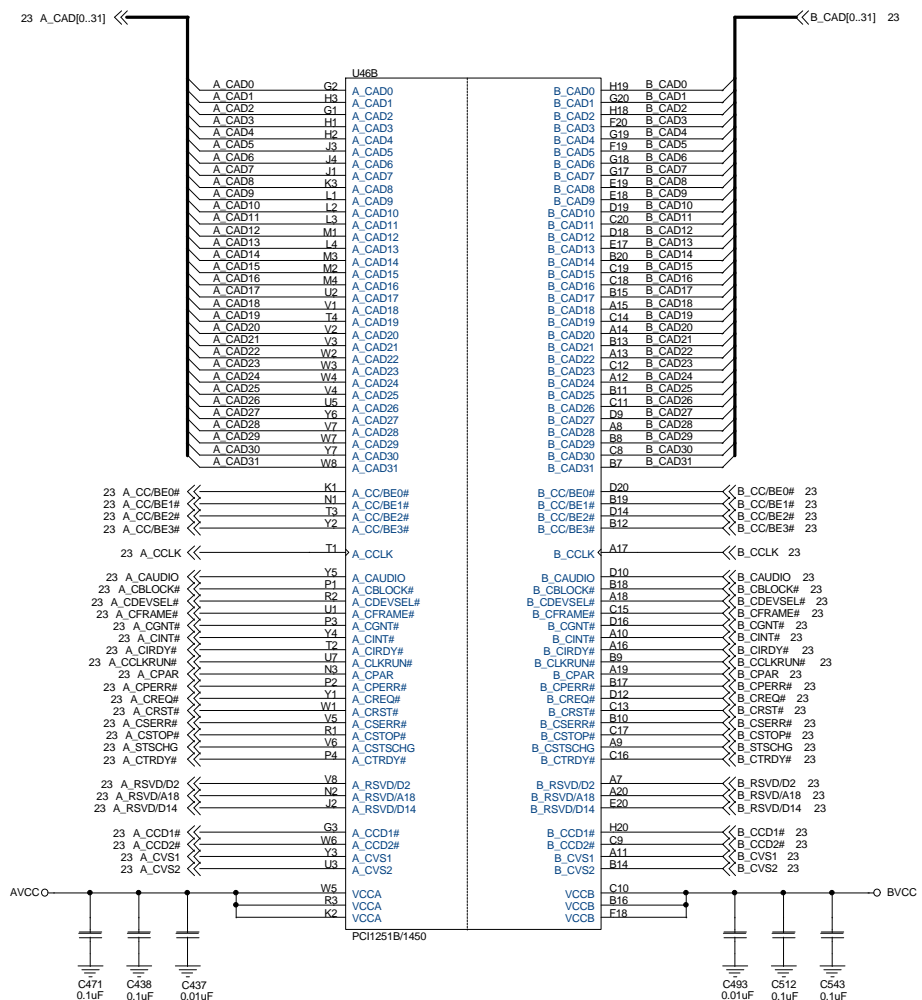


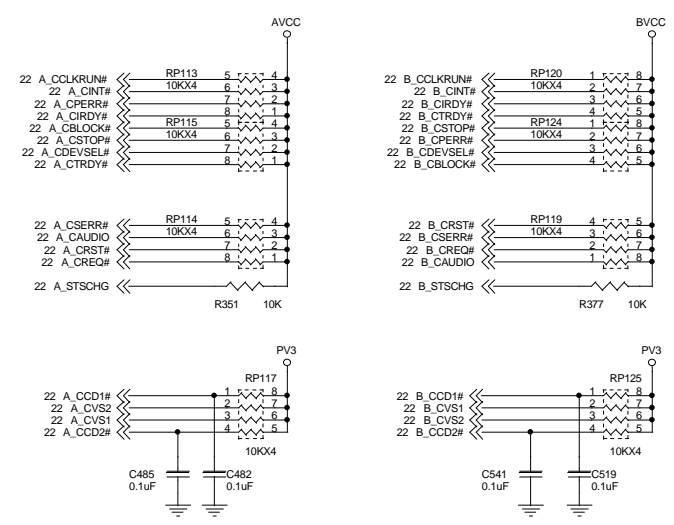
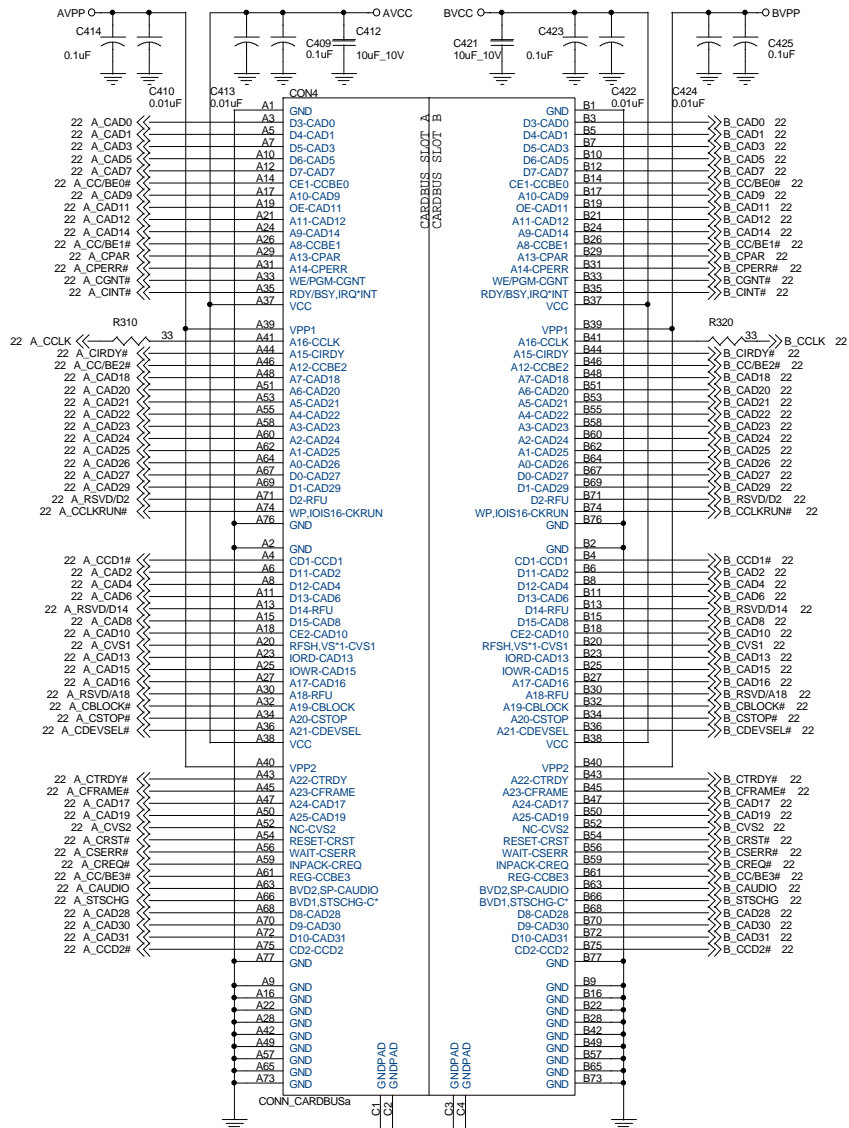
Title DELTA ELECTRONICS,INC.		
Size B	Document Number DN715	Rev 1.0
Date: Monday, January 10, 2000	Sheet 20	of 36

PCMCIA

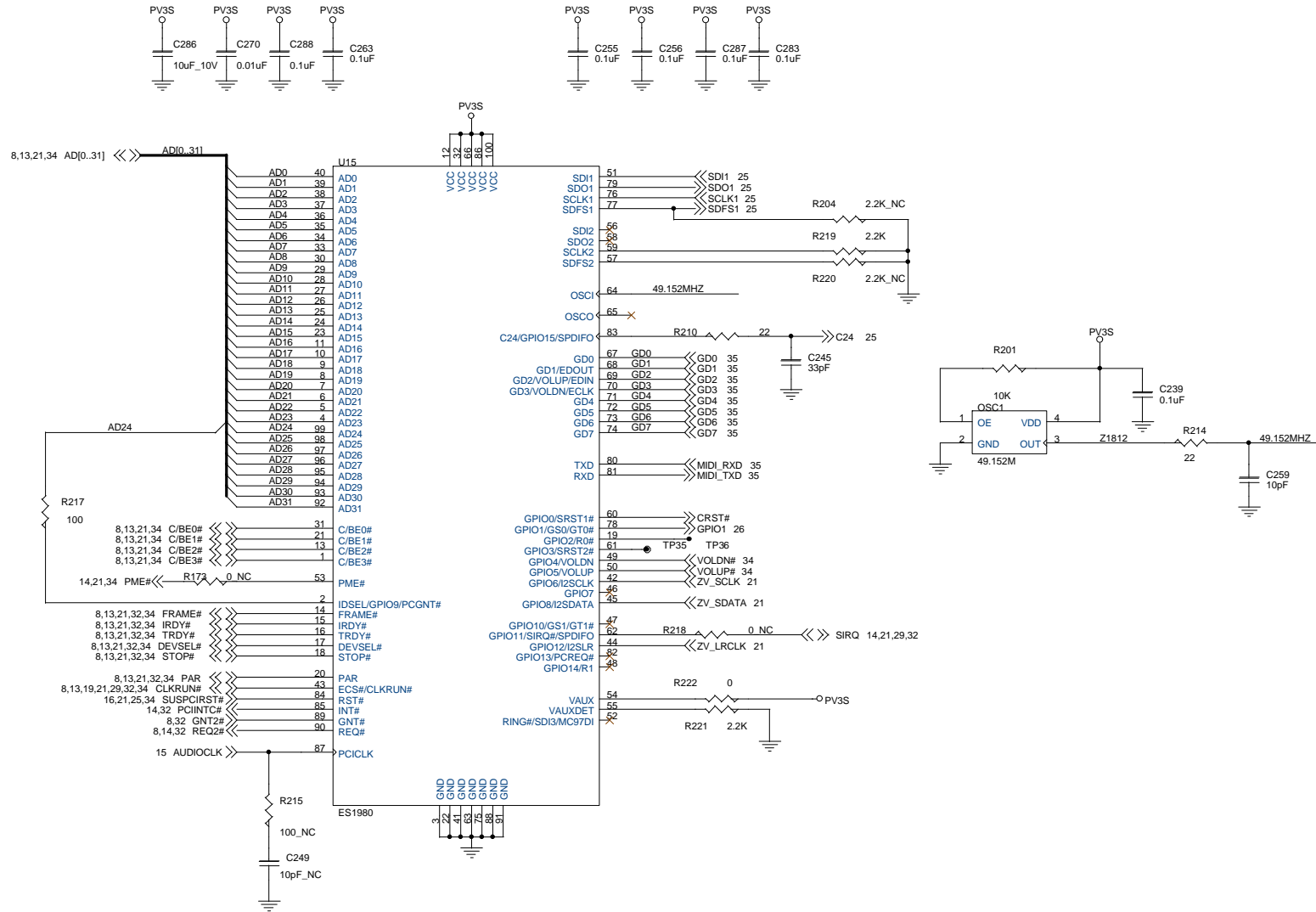


\* Reserved for all PCI Agent S.T.R. PCIRST#





AUDIO

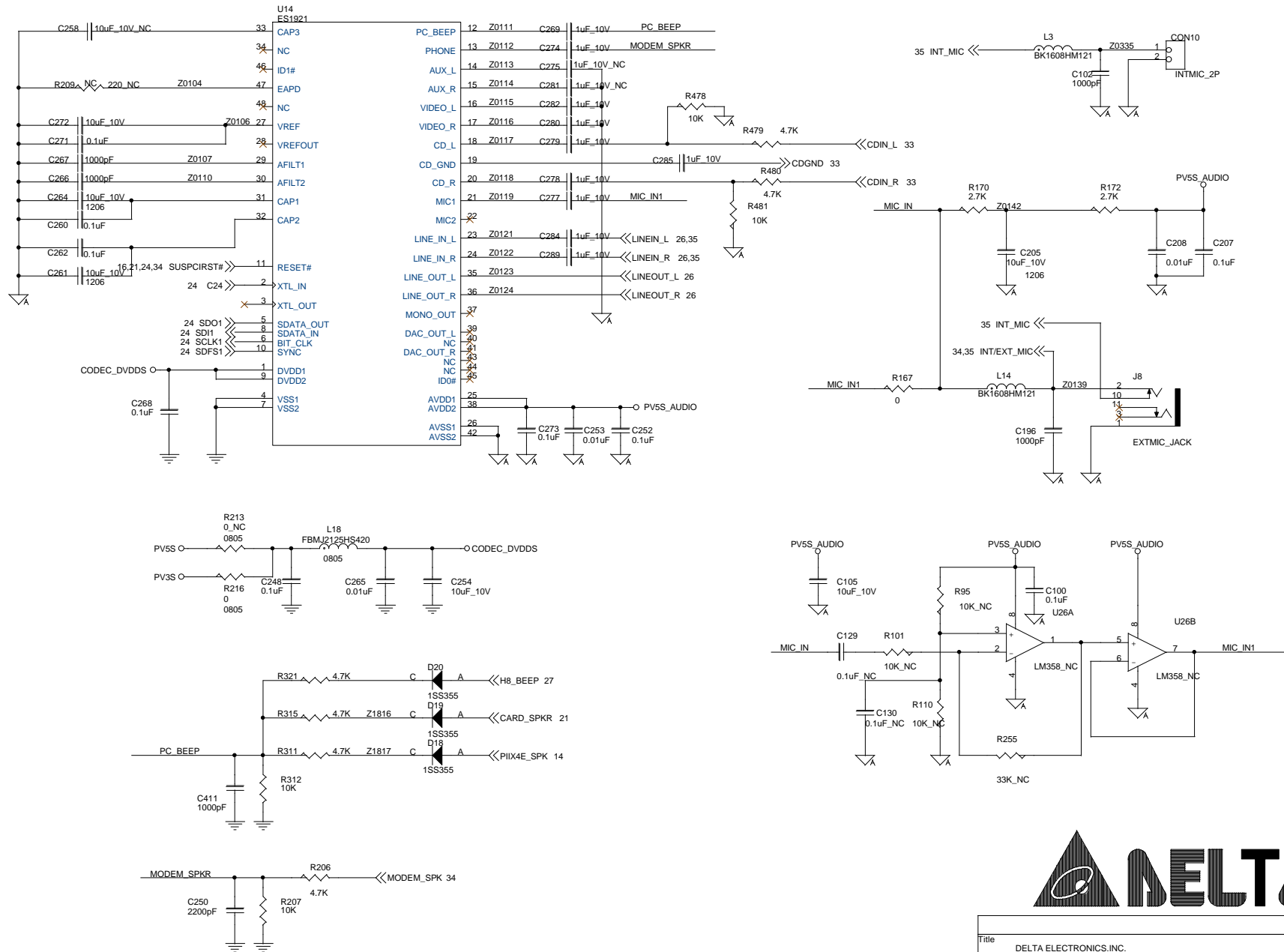


Title		
DELTA ELECTRONICS, INC.		
Size	Document Number	Rev
B	DN715 NAIN BOARD	1.0
Date:	Monday, January 10, 2000	Sheet 24 of 36

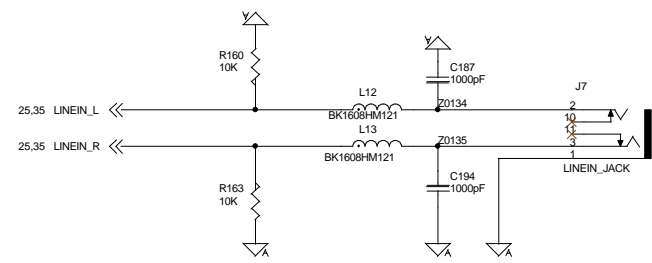
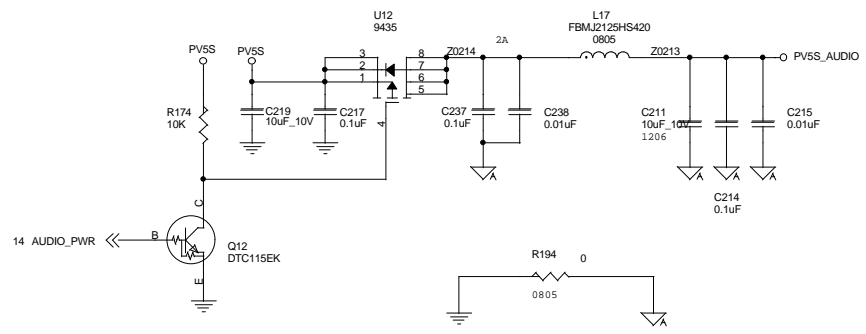
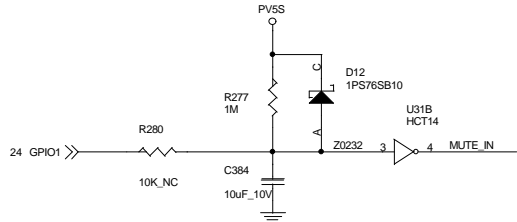
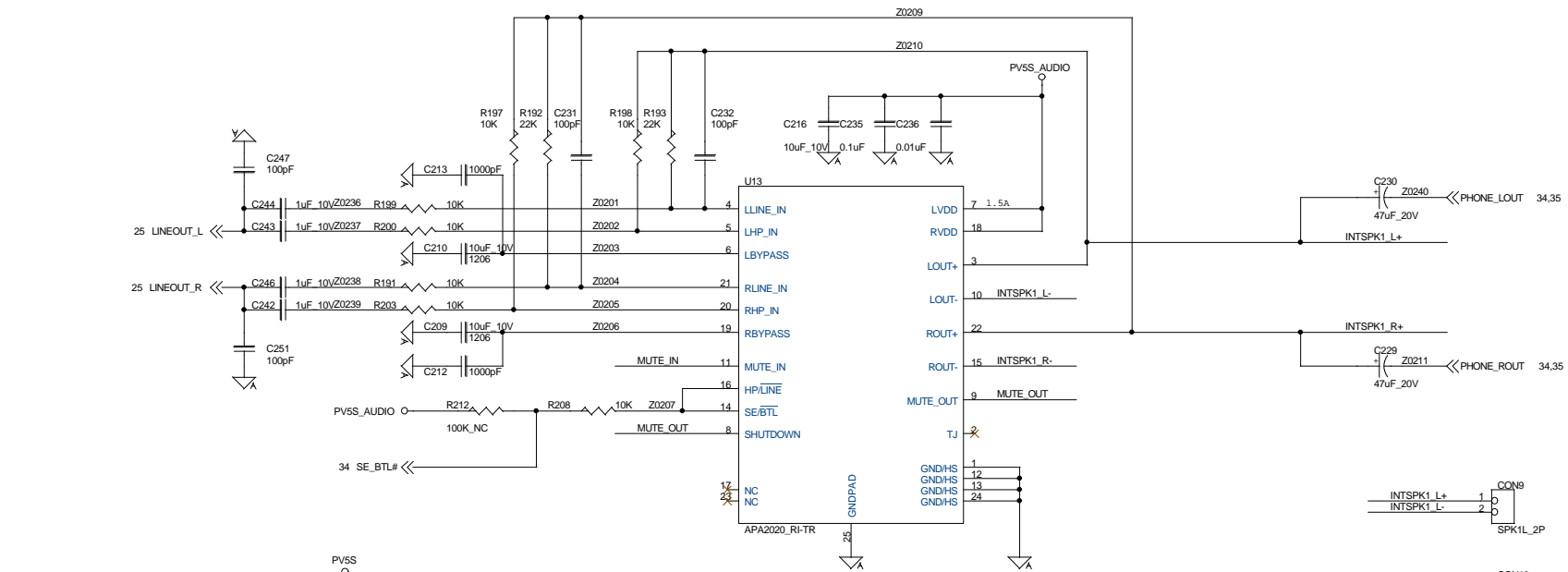


AC97 CODEC

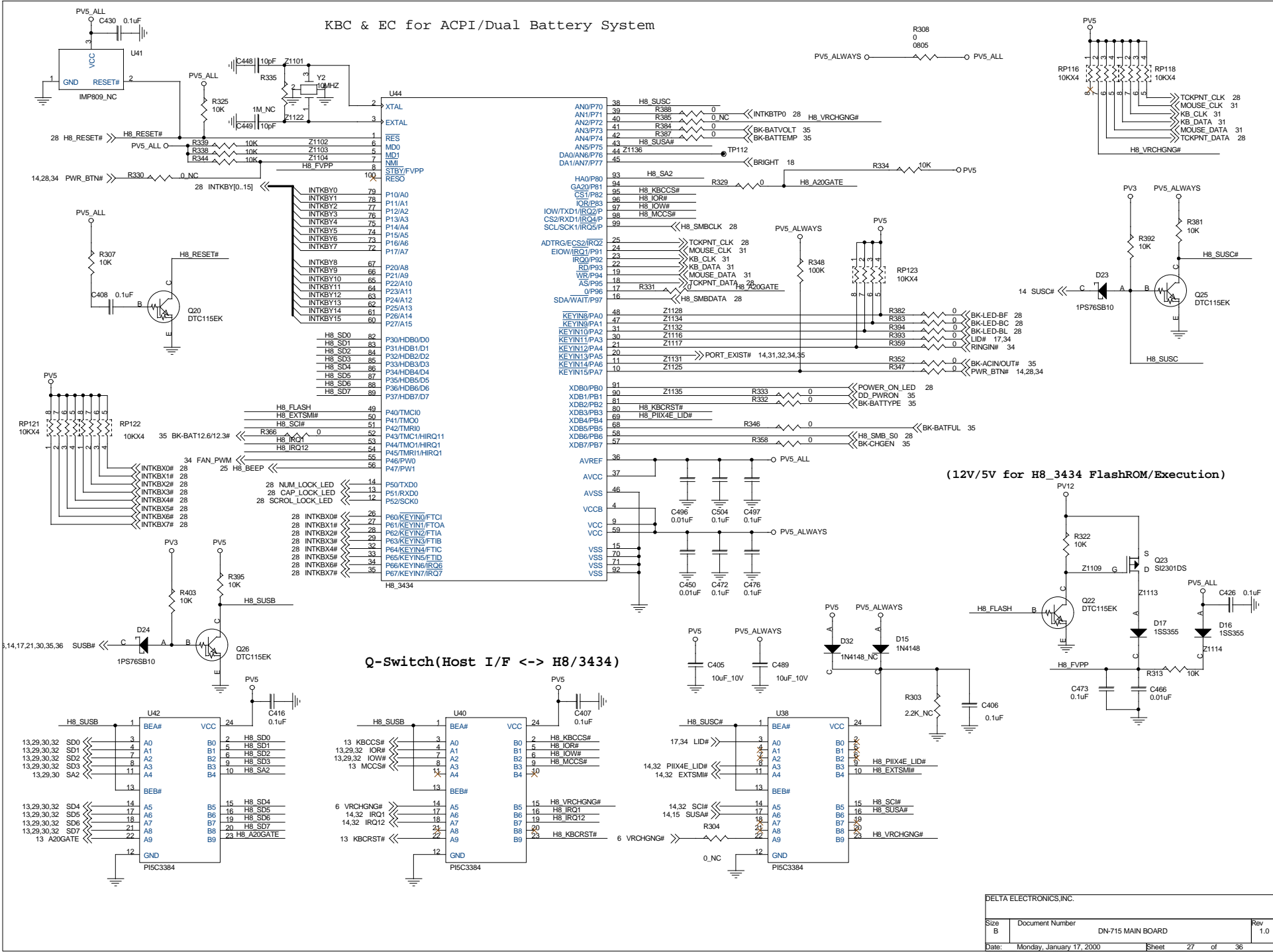
This Part of CKT must be placed next to MIC\_JACK



Title DELTA ELECTRONICS, INC.		
Size B	Document Number DN715 AC97 CODEC	Rev 1.0
Date: Monday, January 10, 2000	Sheet 25	of 36



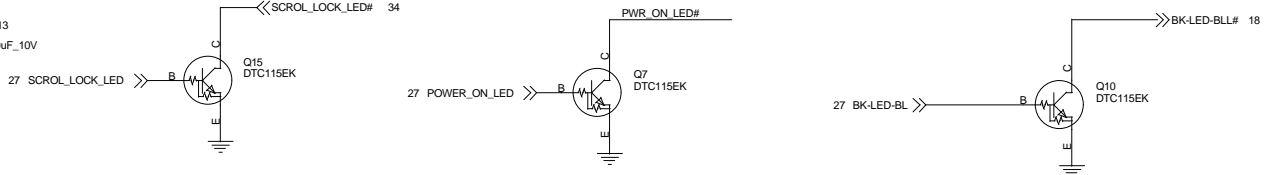
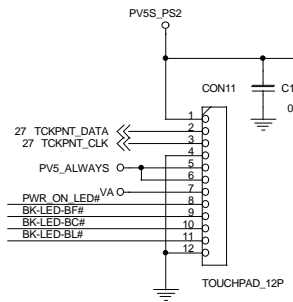
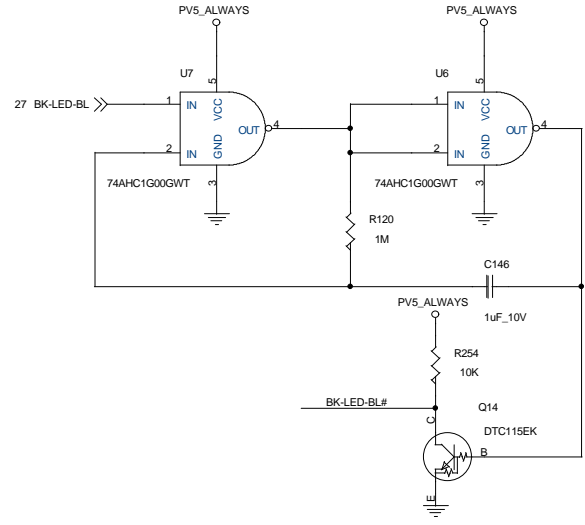
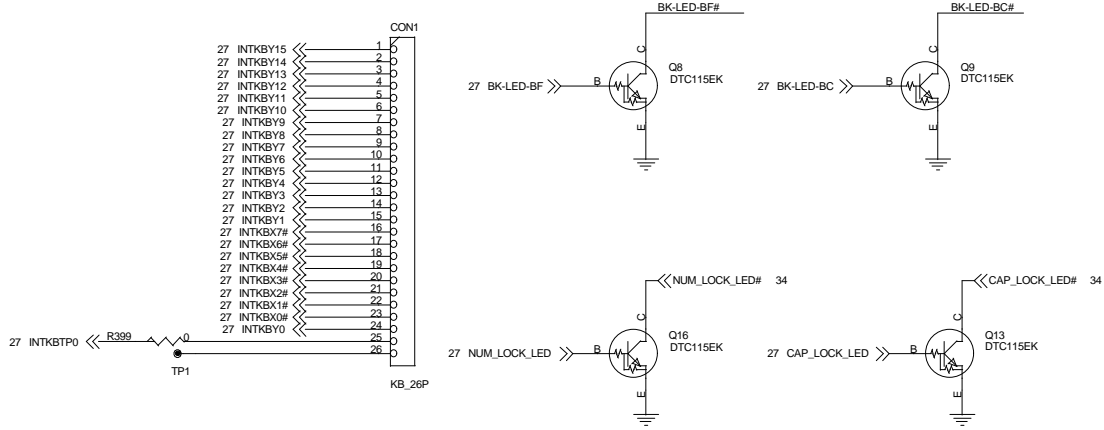
# KBC & EC for ACPI/Dual Battery System



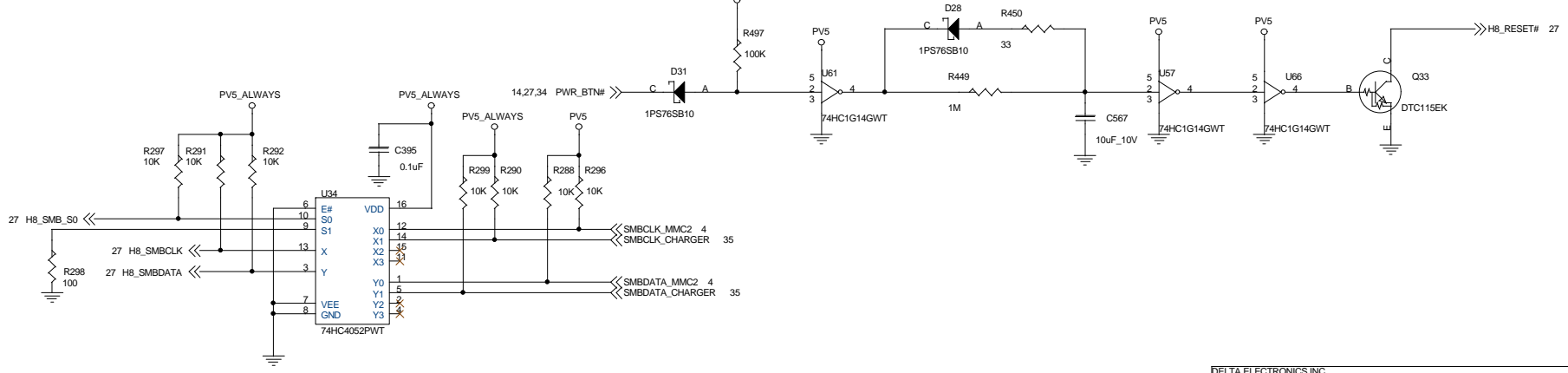
## (12V/5V for H8\_3434 FlashROM/Execution)

PIN No.	US	UK	JA
25-23	O	O	S

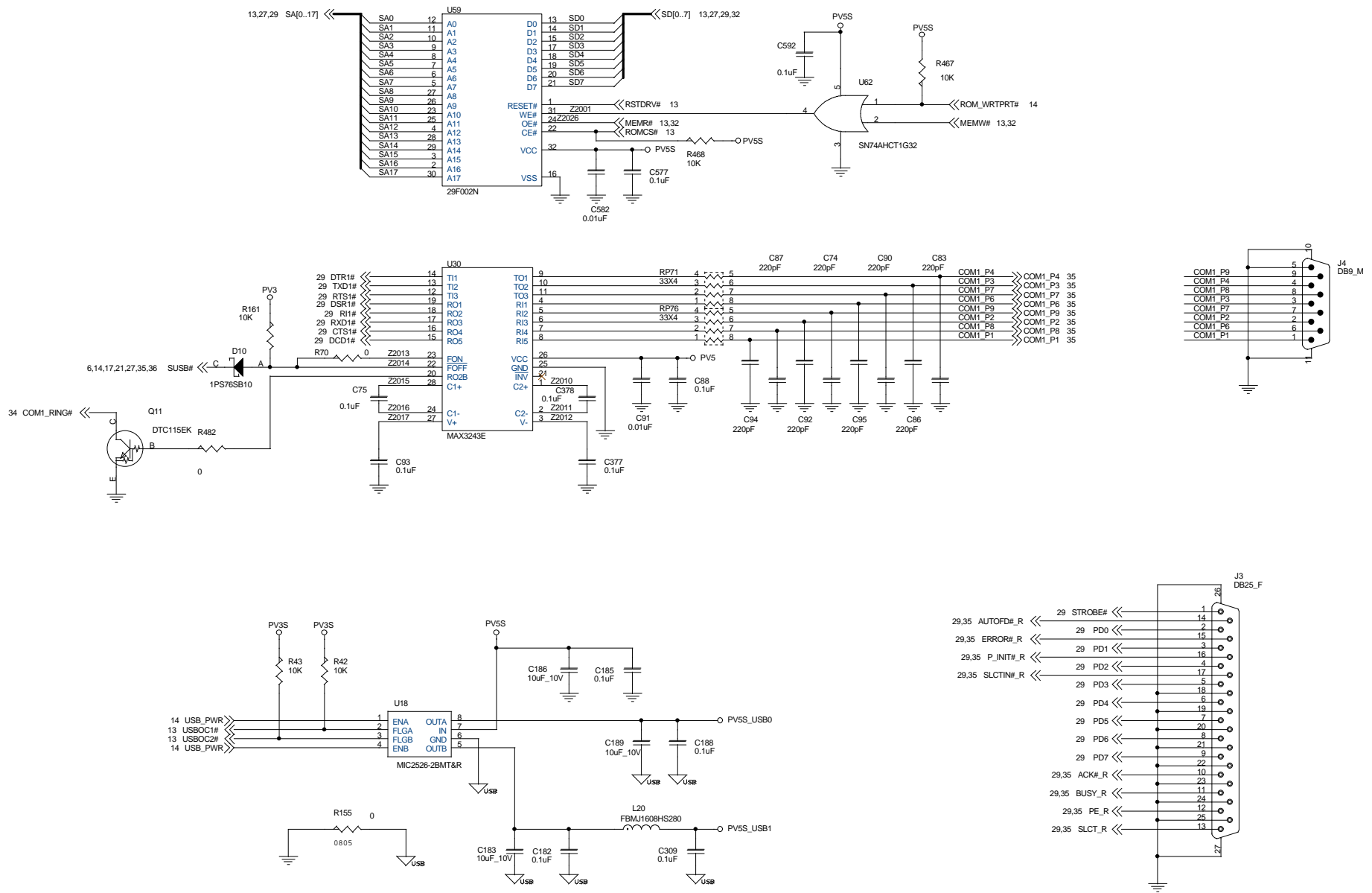
O:Open S:Short

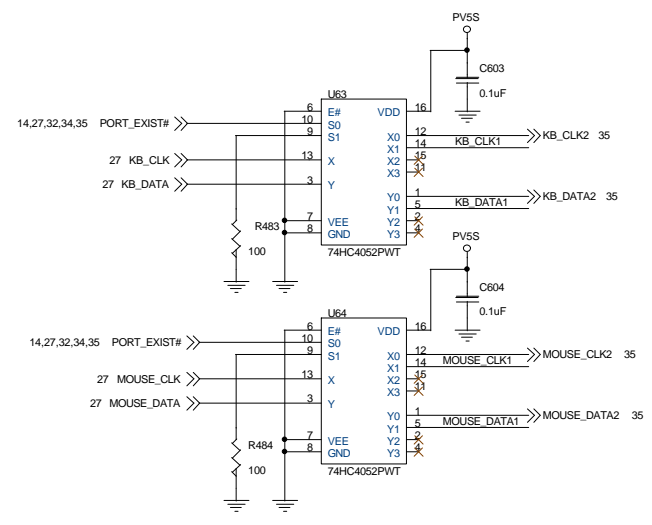
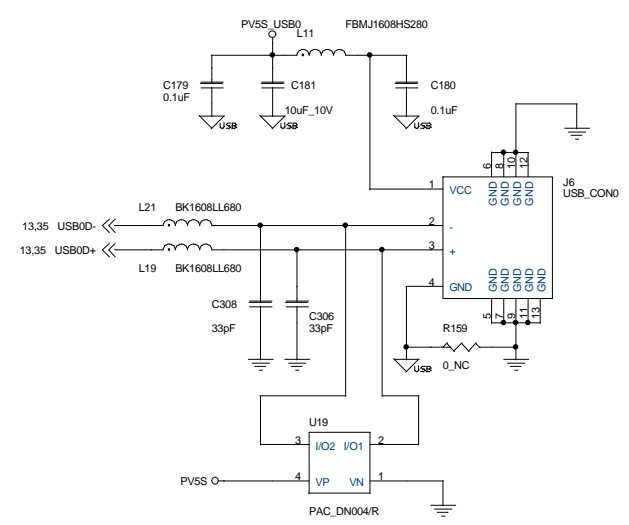
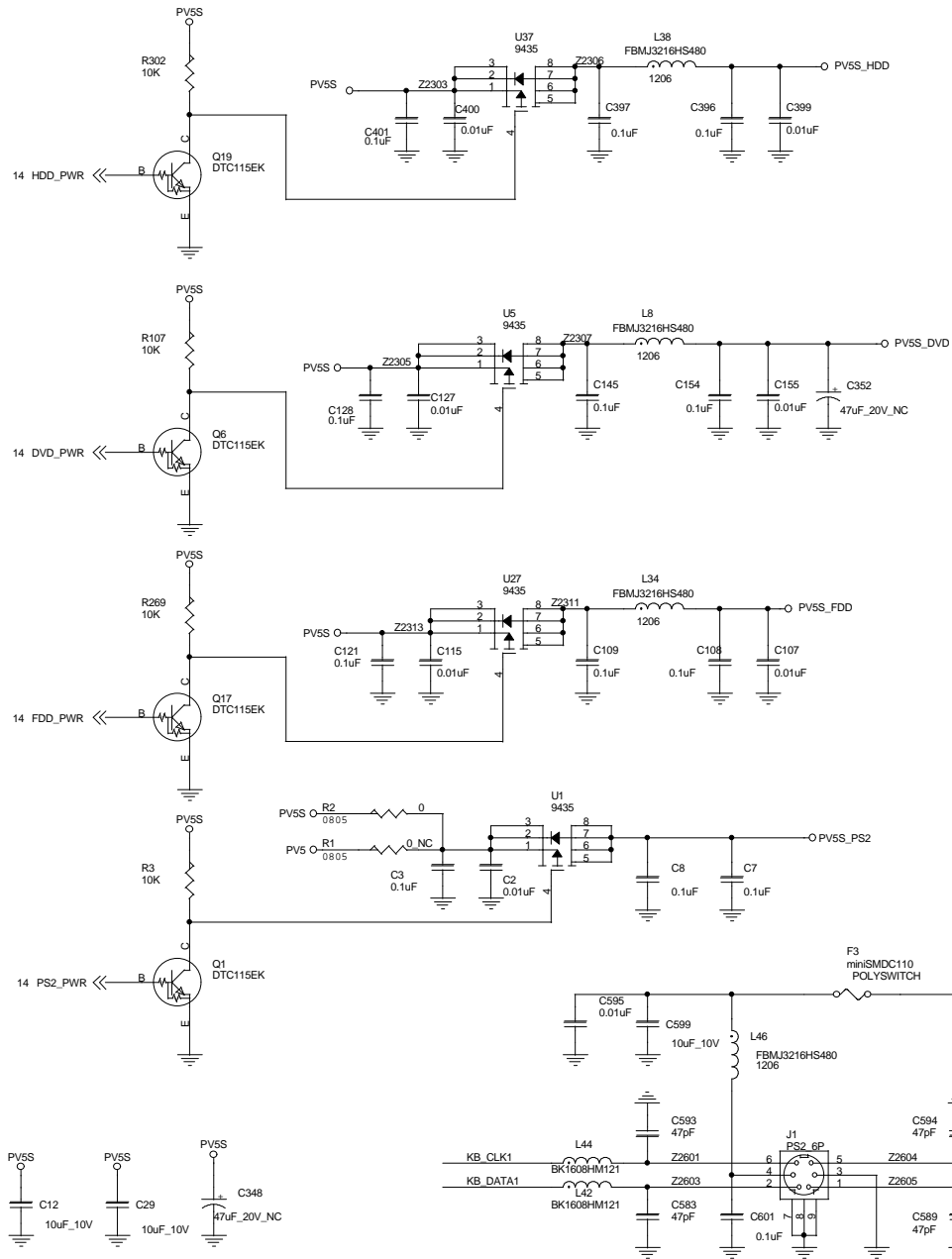


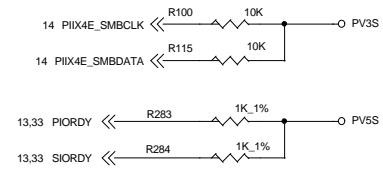
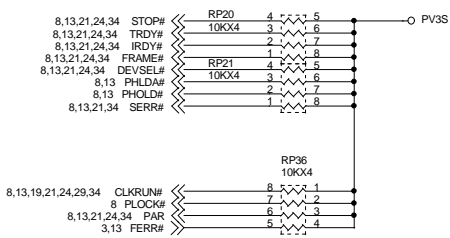
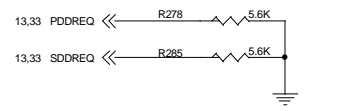
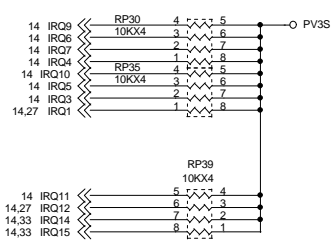
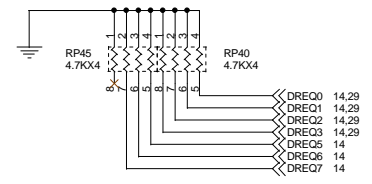
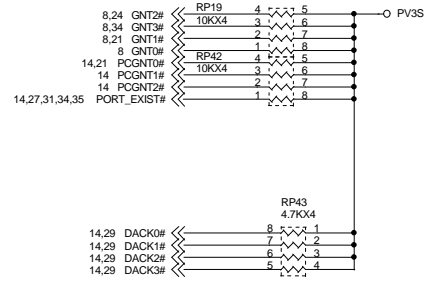
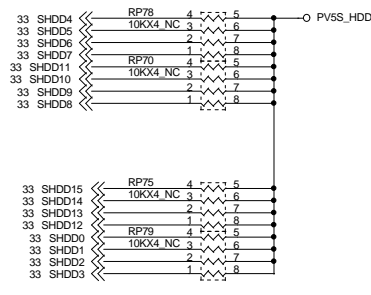
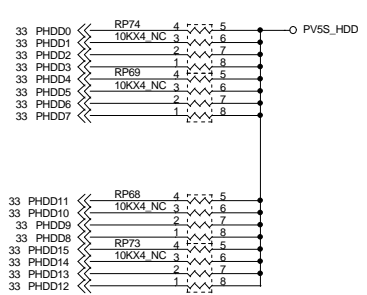
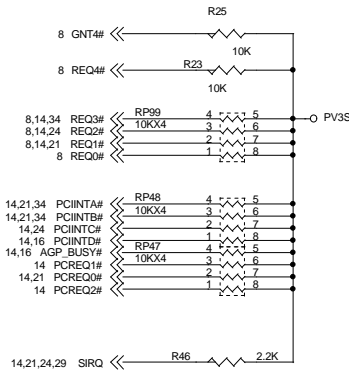
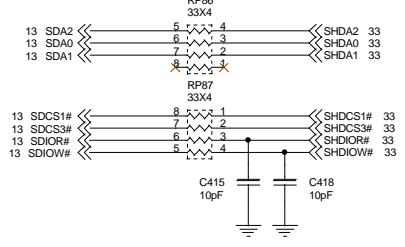
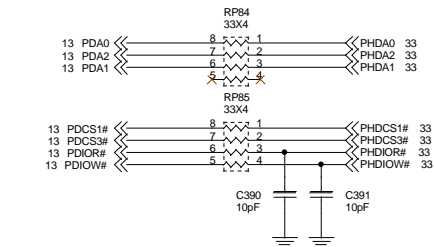
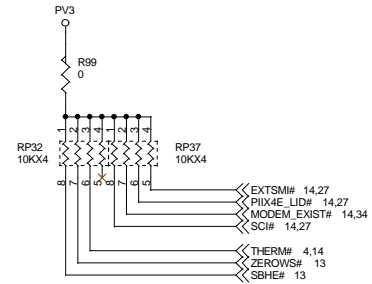
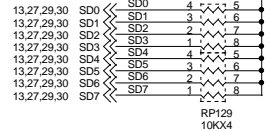
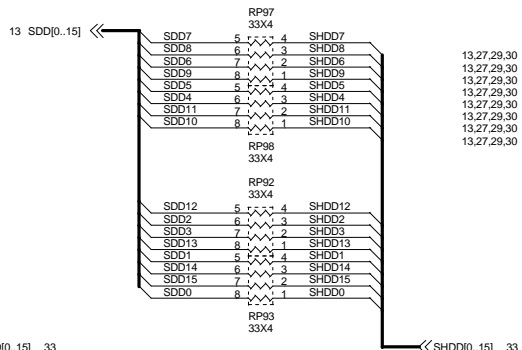
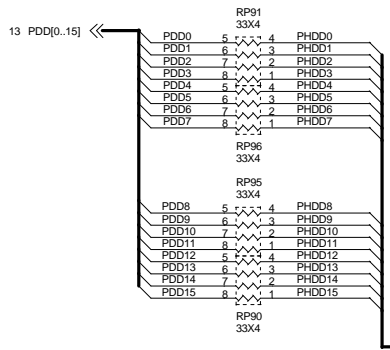
**H/W RESET**





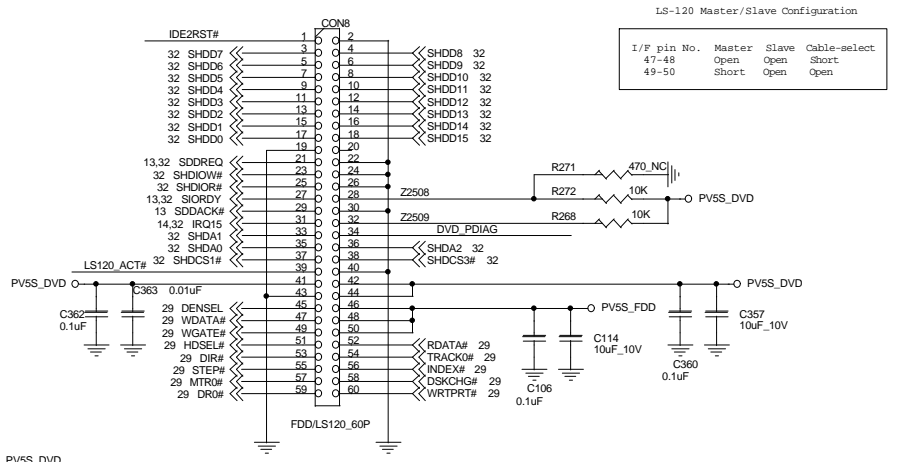
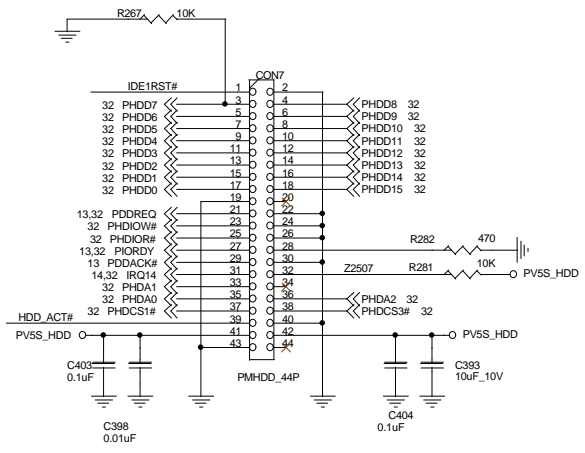






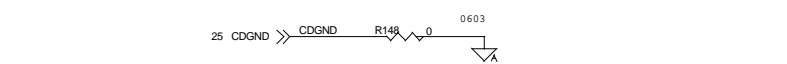
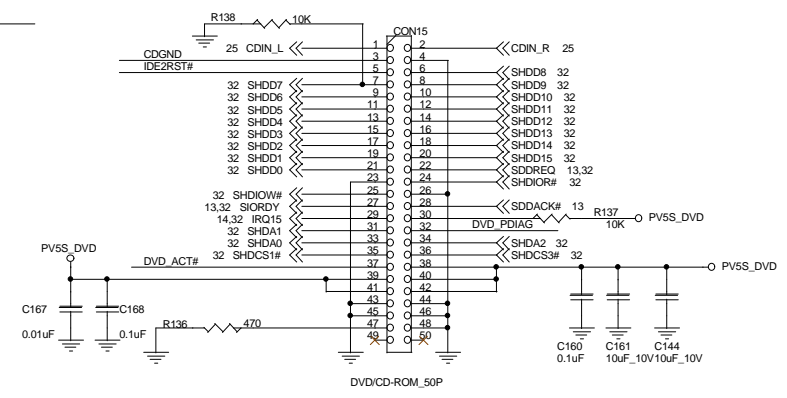
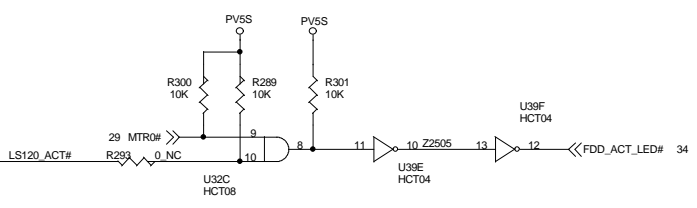
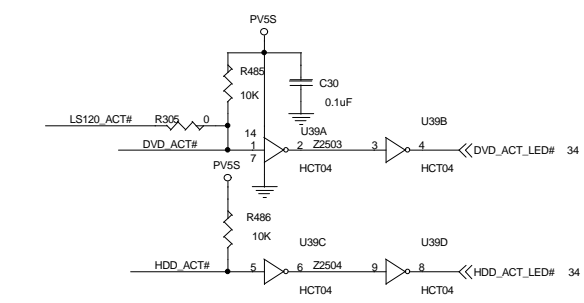
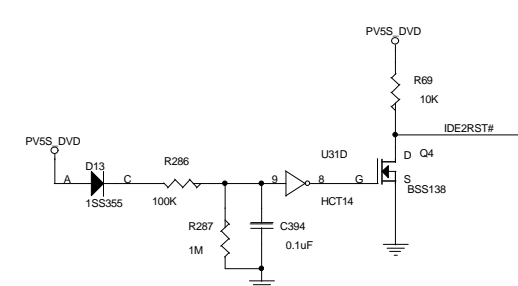
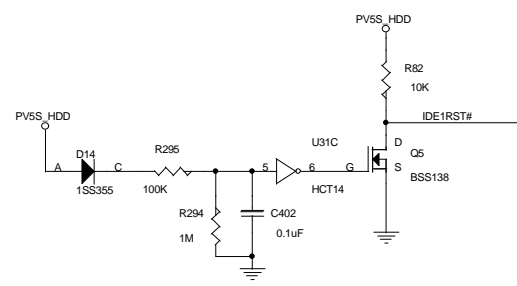
DELTA ELECTRONICS, INC.		
Size B	Document Number DN-715 MAIN BOARD	Rev 1.0
Date: Monday, January 10, 2000	Sheet 32	of 36

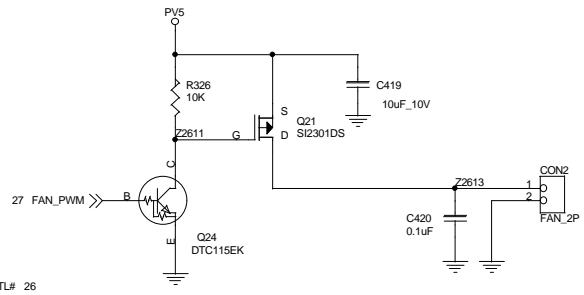
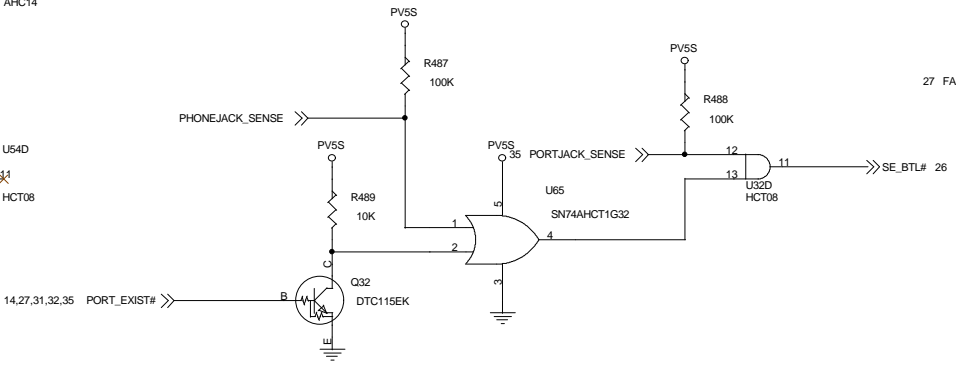
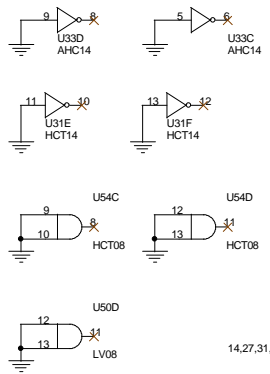
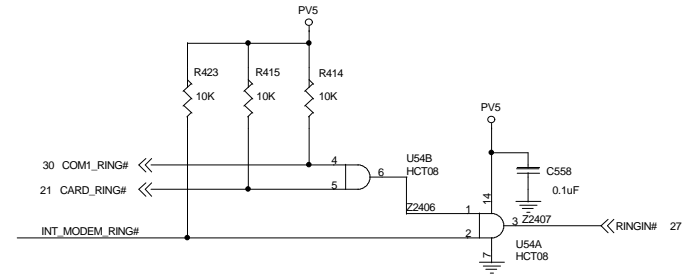
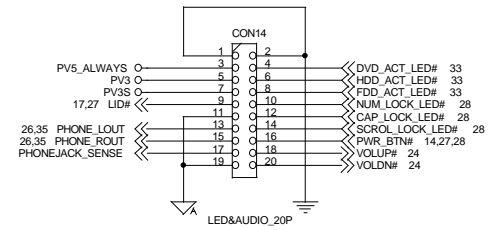
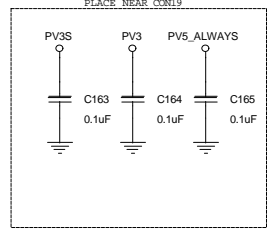
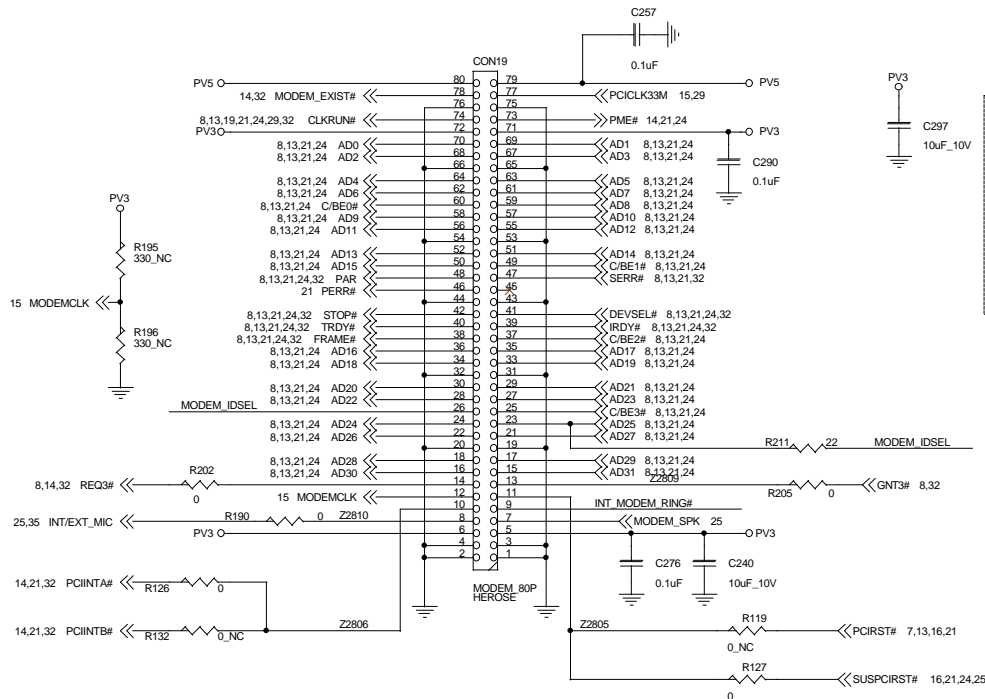


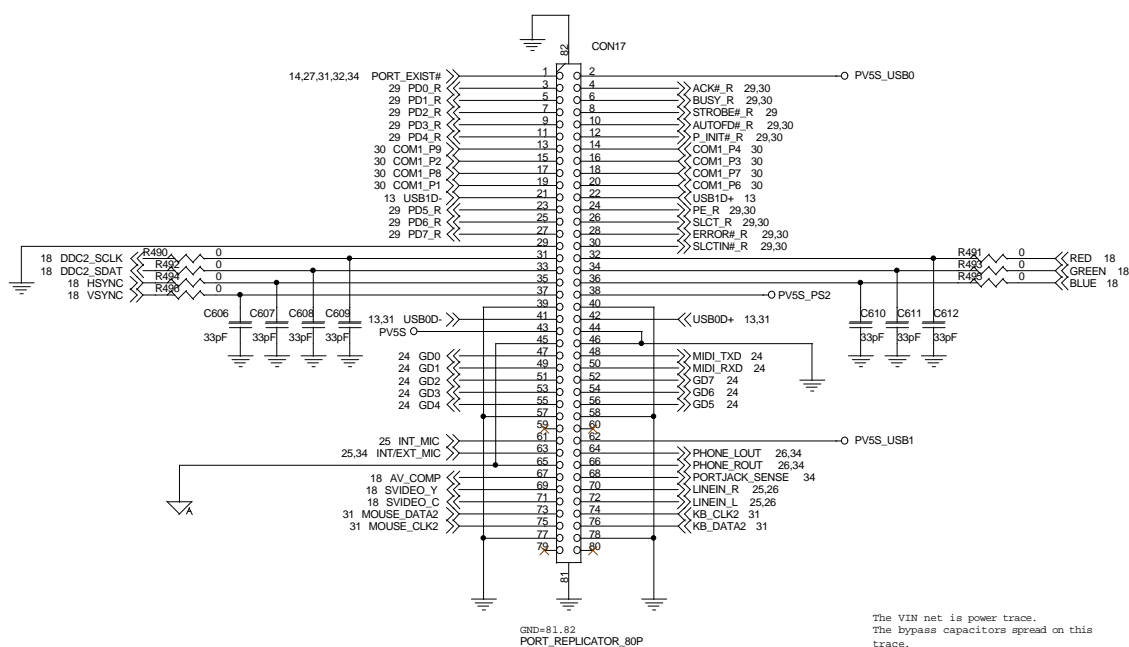


LS-120 Master/Slave Configuration

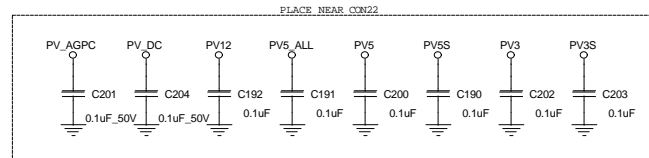
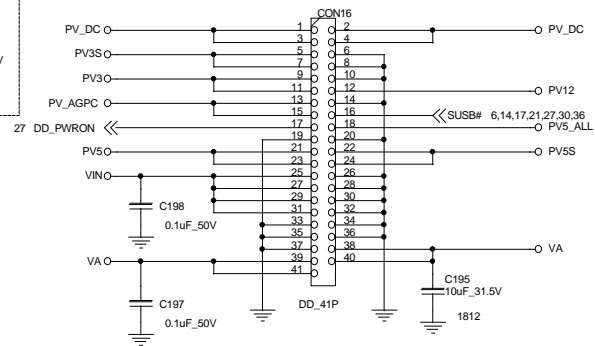
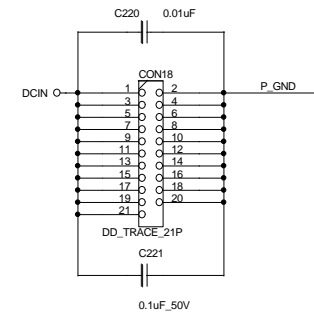
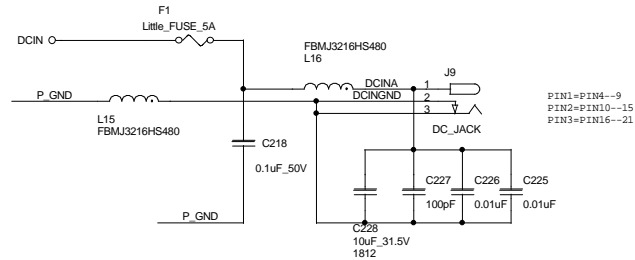
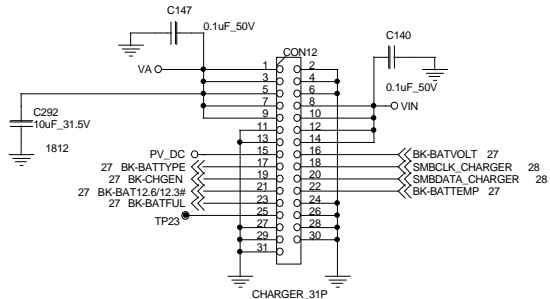
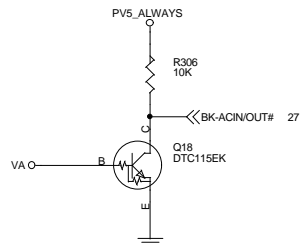
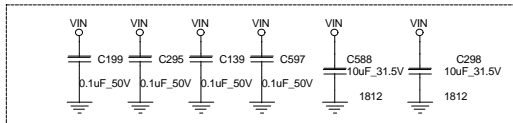
I/F pin No.	Master	Slave	Cable-select
47-48	Open	Open	Short
49-50	Short	Open	Open



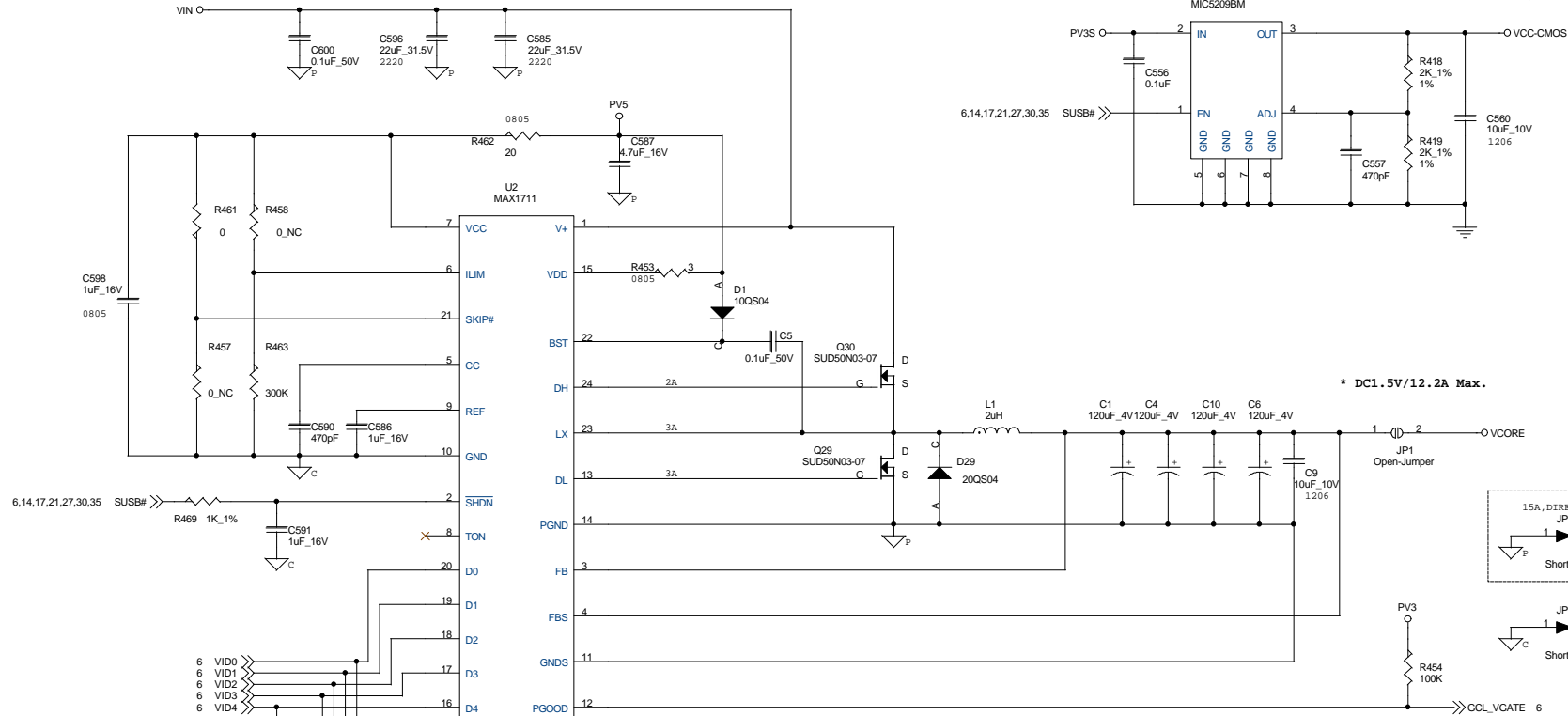




The VIN net is power trace.  
The bypass capacitors spread on this trace.



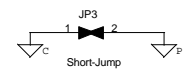
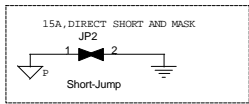
DELTA ELECTRONICS, INC.



\* DC2.5V/500mA Max.

\* DC1.5V/12.2A Max.

\* DC1.5V/2.7A Max.



VD4	VD3	VD2	VD1	VD0	O/P Voltage(V)
0	0	0	0	0	2.00
0	0	0	0	1	1.95
0	0	0	1	0	1.90
0	0	0	1	1	1.95
0	0	1	0	0	1.80
0	0	1	0	1	1.75
0	0	1	1	0	1.70
0	0	1	1	1	1.65
* HIGH	0	1	0	0	1.60
0	1	0	0	1	1.55
0	1	0	1	0	1.50
0	1	0	1	1	1.45
0	1	1	0	0	1.40
* LOW	0	1	1	0	1.35
0	1	1	1	0	1.30