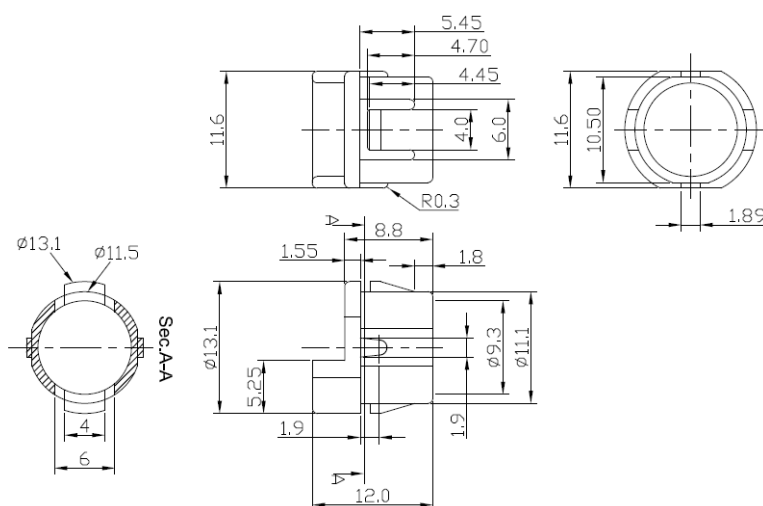
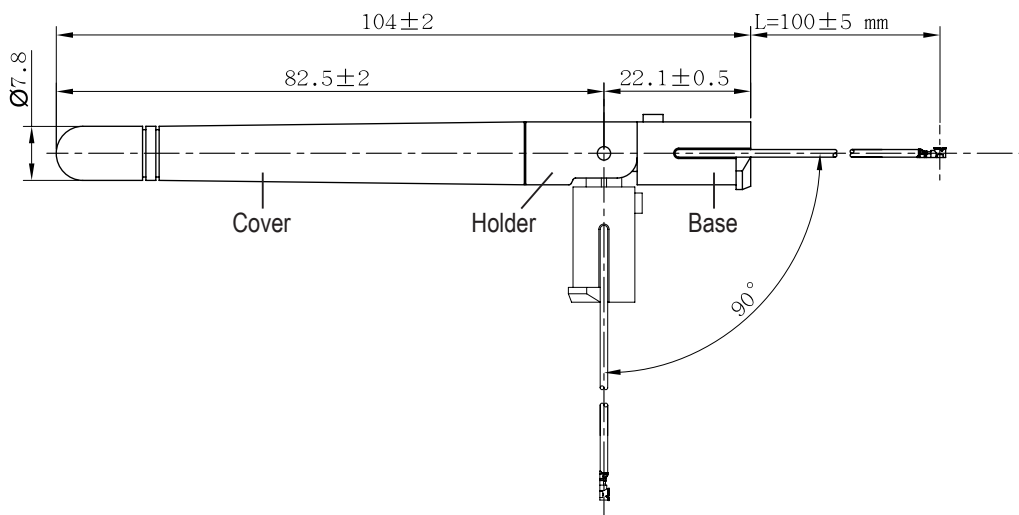


2.4GHz WLAN Antenna

Swivel type with extended 1.13mm Cable and I-PEX Plug

Product No. AR007WSW01A03

Structure Figure



Option



Electrical Specification

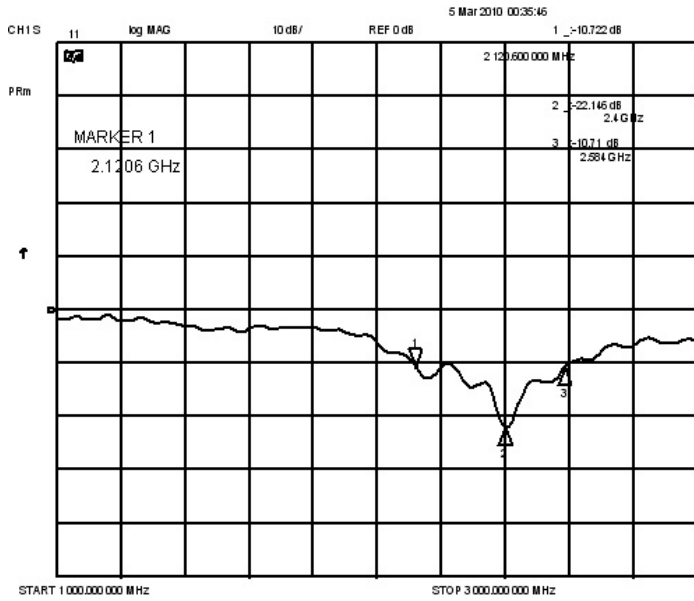
Description	Specification
Antenna Cover	TPEE (Black)
Antenna Holder	PC (Black)
Antenna Base	PBT (Black)
Captive latch	ABS (Black)
Operating Temperature	-20°C~+65°C
Storage Temperature	-30°C~+75°C
Connector	I-PEX MHF Plug 20278-112R-13 (U.FL)
Cable Type	1.13mm RF coaxial cable (Gray) L=100mm

Mechanical Specification

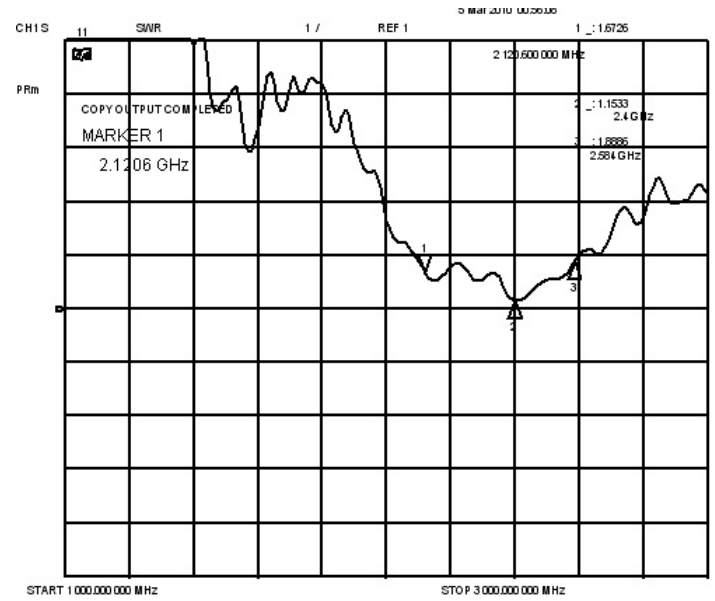
Description	Specification
Frequency Range	2.4GHz
Impedance	50 Ω
VSWR	2.0 Max
Return Loss	- 10 dB Max
Certain direction	Omin
Gain	2 dBi

Test results

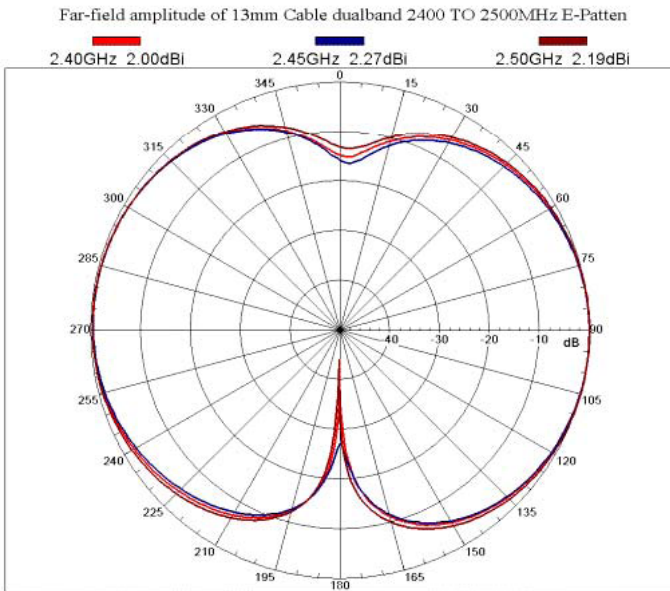
Return Loss



VSWR



Radiation Pattern of H Plane 2.4~2.5GHz



Radiation Pattern of V Plane 2.4~2.5GHz

