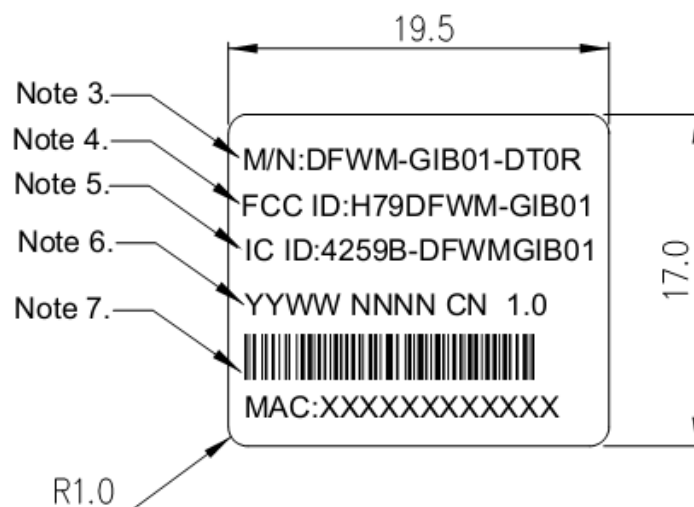
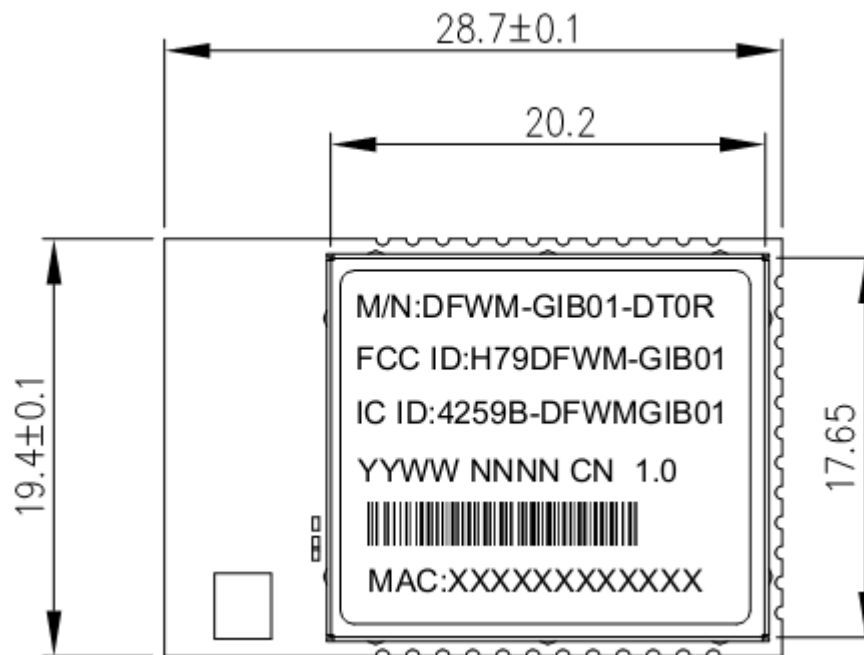


1, Label Location:



2, Notes :

3. Product part number and revision number : M/N:DFWM-GIB01-DT0R

The word type : Arial / Size : 5 minimum.

4. FCC ID Number : H79DFWM-GIB01, The word type : Arial / Size : Must be 5

5. IC ID Number : 4259B-DFWMGIB01, The word type : Arial Narrow / Size : Must be 5

產品需通過安規 FCC 認證後, 才可打印此序號, 未通過前請用空白表示(例 : FCC ID: or IC ID)

6. Date Code, Lot Number, and Manufacturing Location (Country of Origin), The word type : Arial / Size 5 minimum