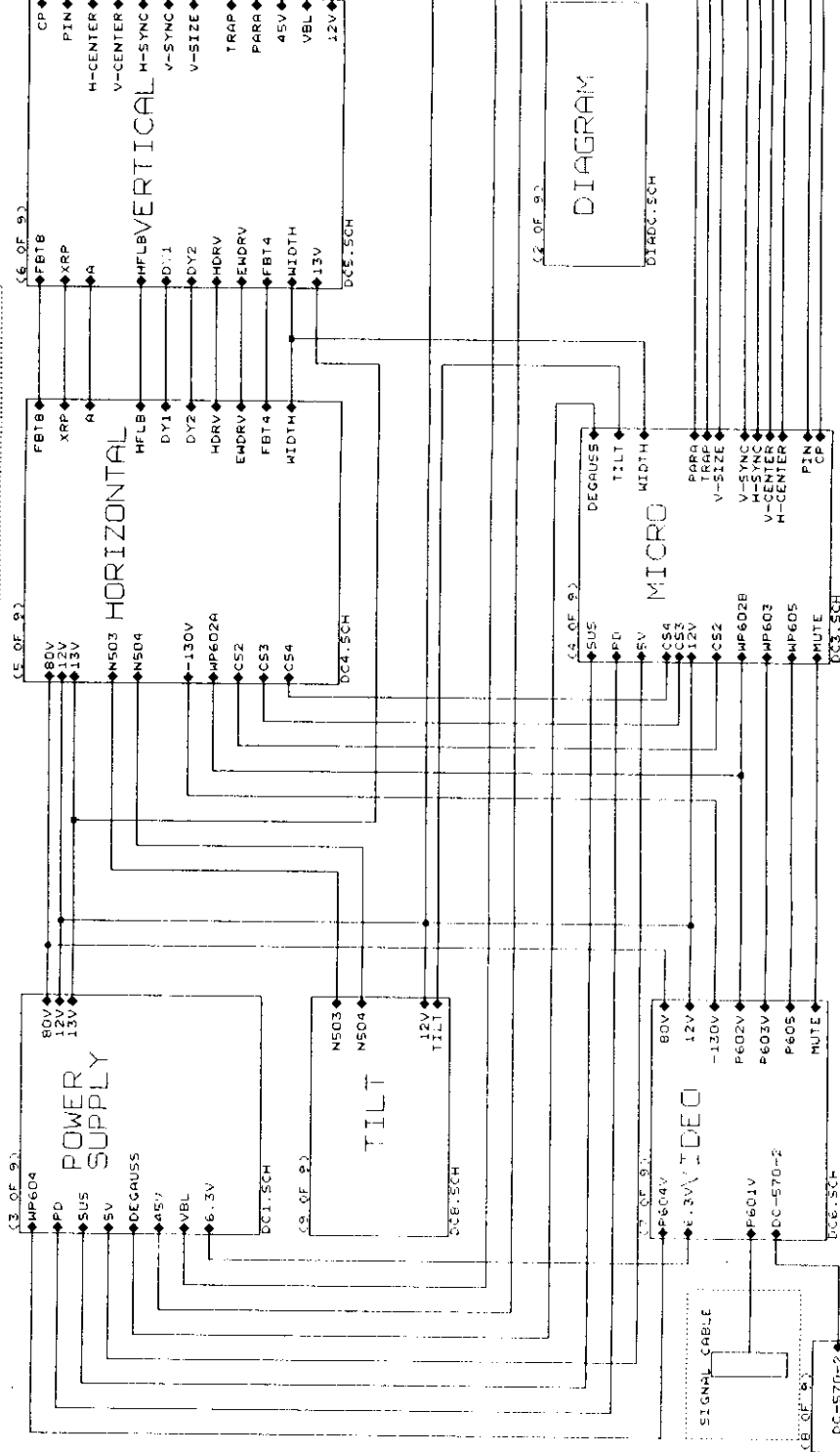
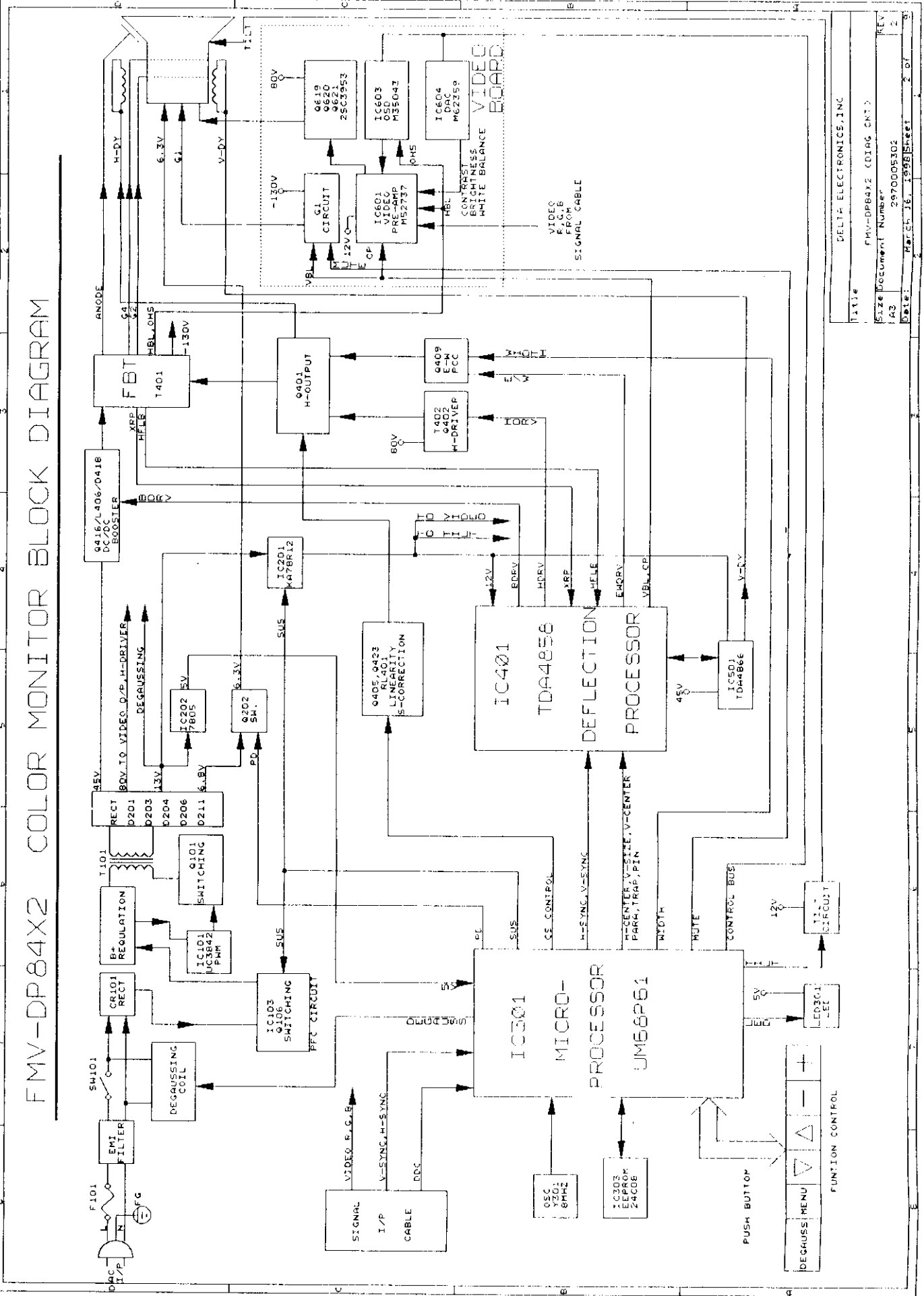


FMV-DP84X2

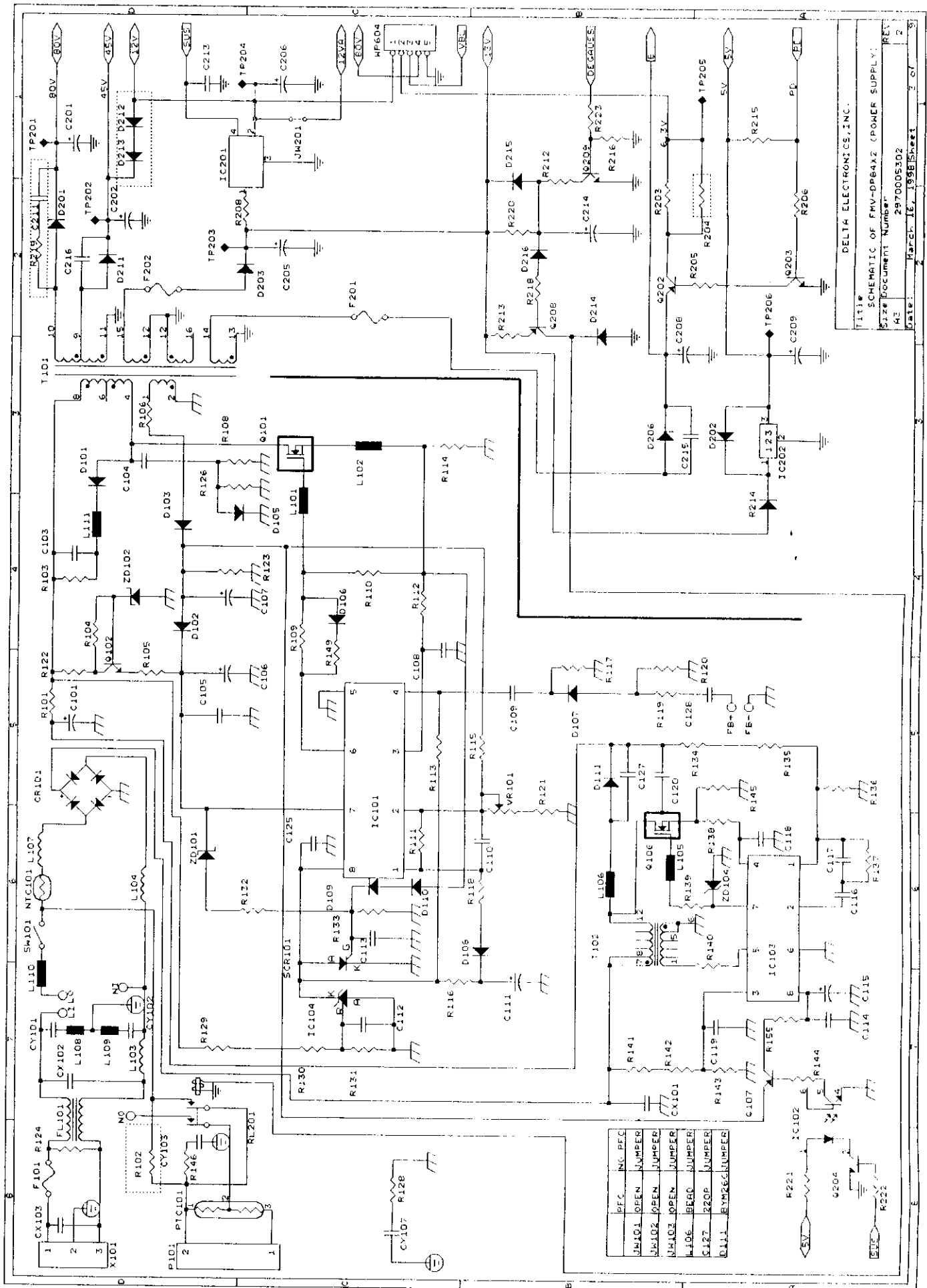


DELTA ELECTRONICS, INC.		
TITLE SCHEMATIC OF MONITOR FMV-DP84X2		
SIZE	DOCUMENT NUMBER	
A2	REV	
DATE	MARCH 16, 1988	SHEET 1 OF 1

FMV-DP84X2 COLOR MONITOR BLOCK DIAGRAM



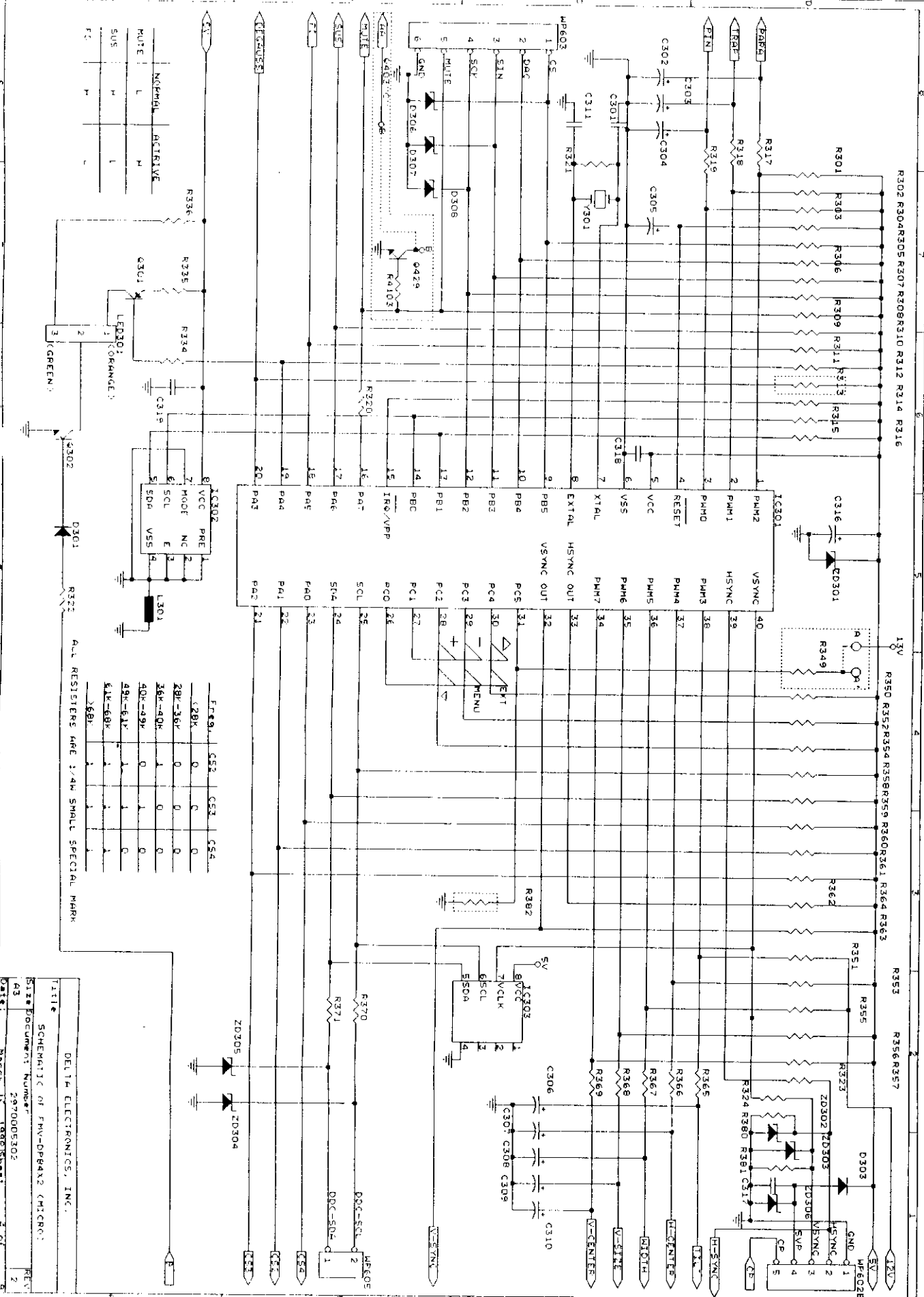
Title	DELTA ELECTRONICS, INC
Size	FMV-DP84X2 (DIAG. CNT)
Document Number	2970005302
REV	2
Date	MAR 21 1998 Sheet 2 of 2



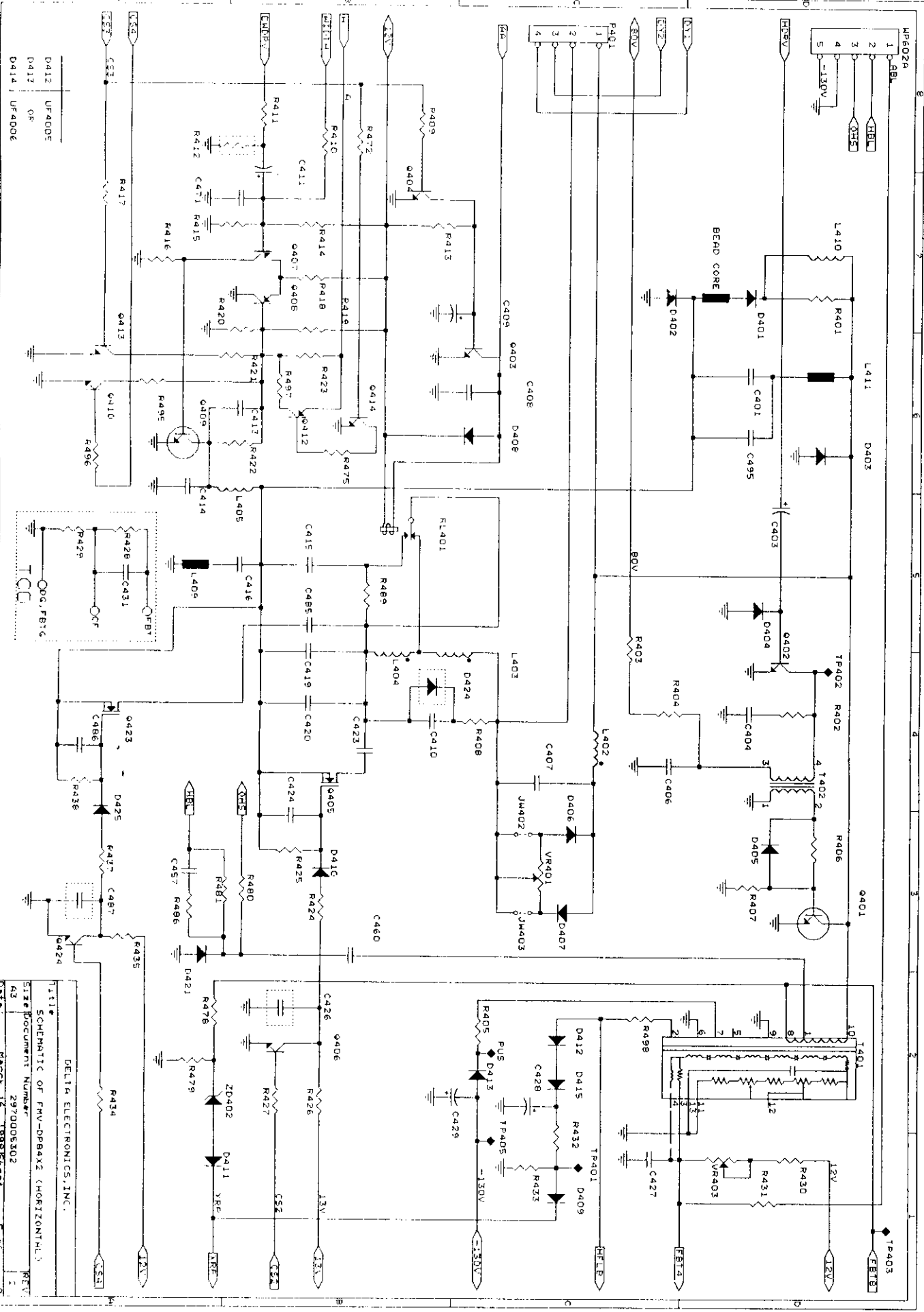
PFC	NO. PFC
JW101	OPEN JUMPER
JW102	OPEN JUMPER
JW103	OPEN JUMPER
L106	BR40 JUMPER
L127	220P JUMPER
D111	BYM26C JUMPER

Title: SCHEMATIC OF FMV-DPB4X2 (POWER SUPPLY)
 Size: Document Number: 2970005302
 Rev: 43
 Date: March 16, 1998 Sheet 2 of 3

DELTA ELECTRONICS, INC.



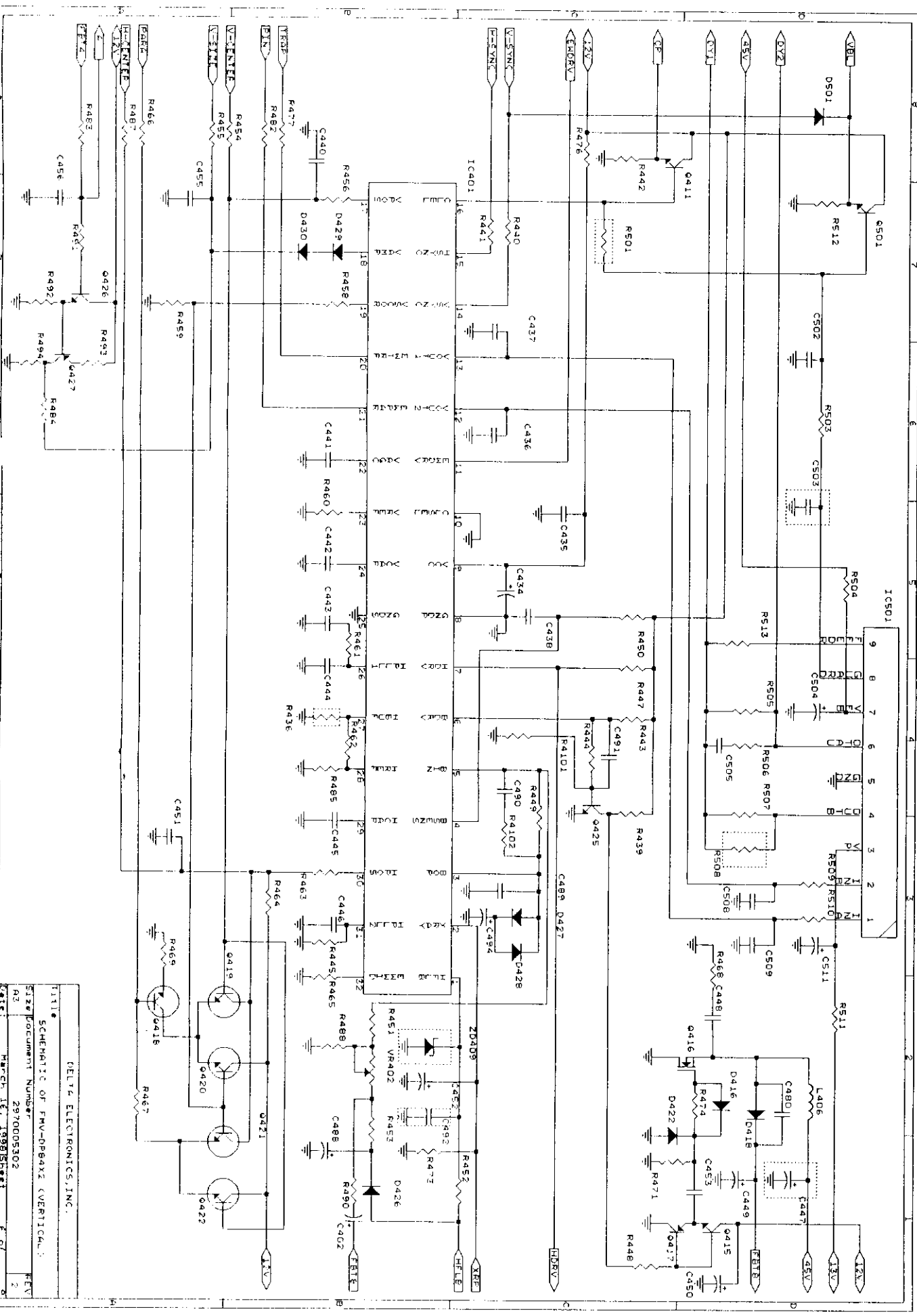
TITLE: DELTA ELECTRONICS, INC.
 SCHEMATIC OF FW-OPRAX2 (MICRO)
 SIZE: 2870005302
 REV: 2
 DATE: 1998/05/21 2:01



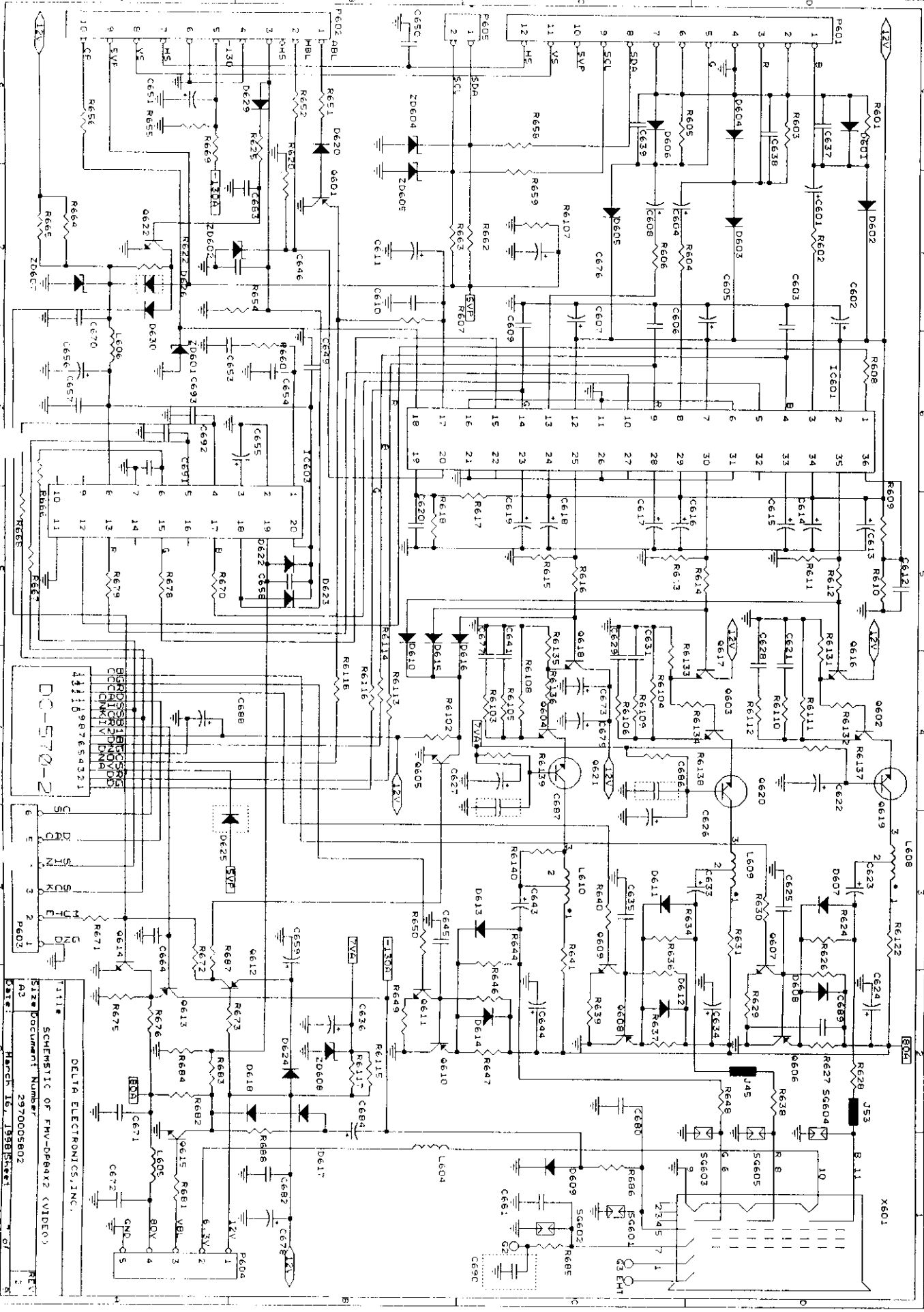
DELTA ELECTRONICS, INC.
 SCHEMATIC OF FMV-DP4X2 (HORIZONTAL)

Title	SCHEMATIC OF FMV-DP4X2 (HORIZONTAL)
Size	Document Number 2970005302
Rev	REV 1

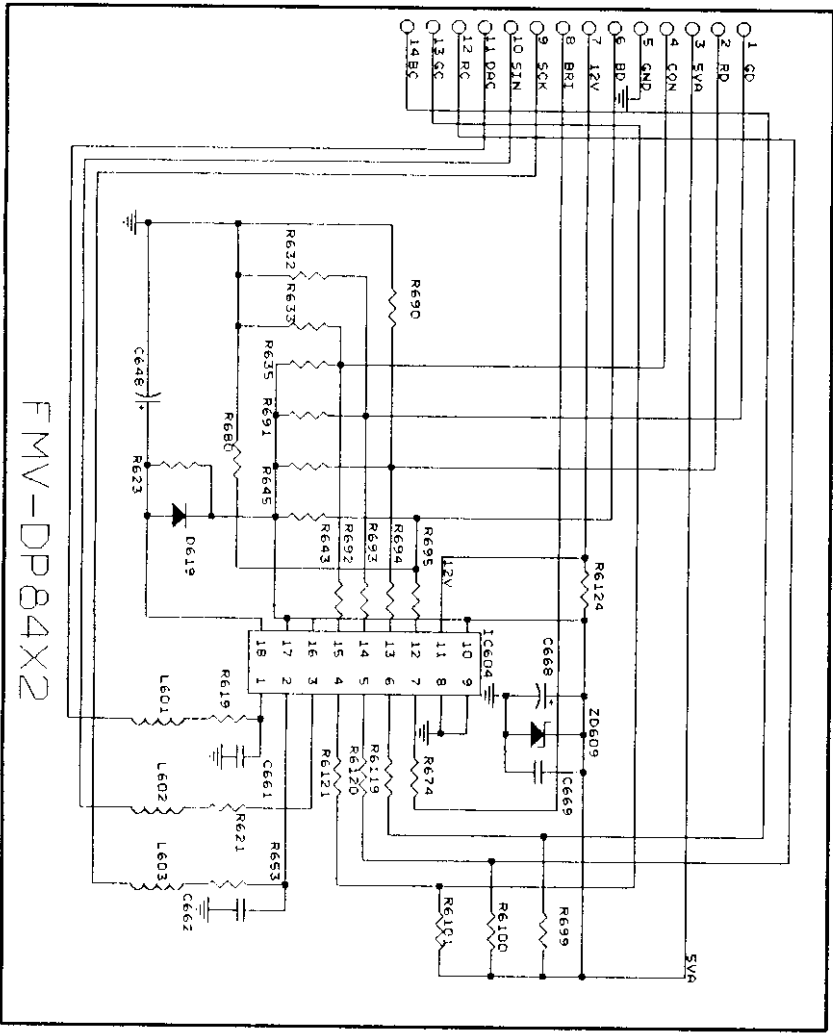
DATE: 15 1985



TITLE DELTA ELECTRONICS, INC.
 SCHEMATIC OF FMV-DPB84XZ (VERTICAL)
 SIZE DOCUMENT NUMBER FEV
 A2 2970005302
 DATE MARCH 17, 1988 SHEET 6 OF 8



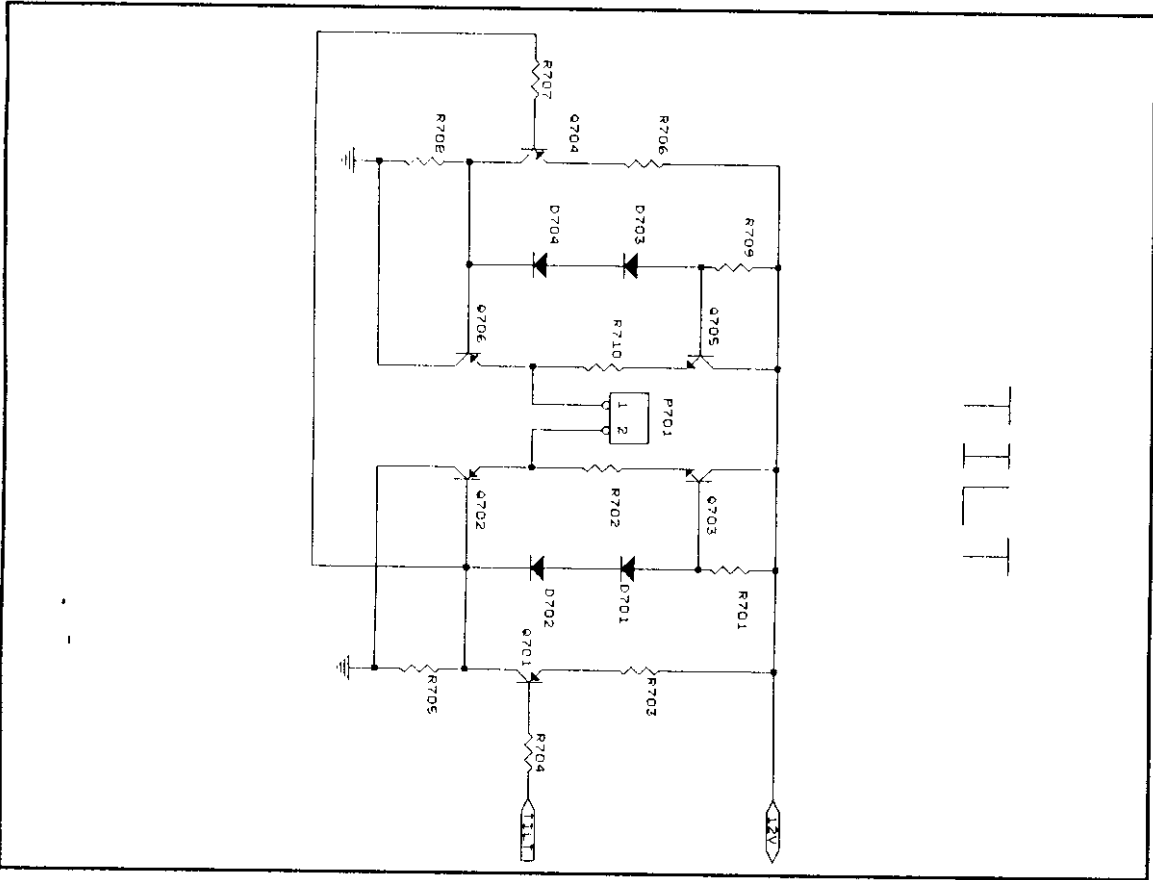
DELTA ELECTRONICS, INC.
 SCHEMATIC OF FW-0804X2 (VIDEO)
 Size Document Number 2970005802
 Date: March 16, 1988
 RET: 5



FMV-DP84X2

DATE:	March 16, 1988	Sheet	8 of 9
SIZE:	A3	RTV	1
SCHEMATIC OF FMV-DP84X2 (DRC)	2970005E01		
DELTA ELECTRONICS, INC.			

TILT



DELTA ELECTRONICS, INC.

SCHEMATIC OF FMV-DB4X2 (TILT)

Size Document Number 2970005302 REV 2

Date: March 16, 1958 Sheet 9 of 9