

## **Bescheinigung des Herstellers / Importeurs**

Hiermit wird bescheinigt, daß dieses Gerät  
in Übereinstimmung mit den Bestimmungen  
der Röntgenverordnung (Amtsblattverfügung)  
funk-entstört ist.

Der Deutschen Bundespost wurde das Inverkehrbringen  
dieses Gerätes angezeigt und die Berechtigung zur  
Überprüfung der Serie auf Einhaltung der Bestimmungen  
eingeräumt.

---

## **IMPORTANT SAFETY INSTRUCTIONS**

- I. SEE INSTALLATION INSTRUCTIONS BEFORE CONNECTING TO THE SUPPLY.
- II. THE APPLIANCE COUPLER IS CONSIDERED AS A DISCONNECT DEVICE. SHALL BE CONNECTED AS CLOSELY AS PRACTICABLE TO THE INCOMING SUPPLY.
- III. TO PREVENT FIRE OR SHOCK HAZARD, DO NOT EXPOSE THE UNIT TO RAIN OR MOISTURE.
- IV. REFRAIN FROM OPENING THE CABINET AS THERE ARE HIGHVOLTAGE COMPONENTS INSIDE. REFER SERVICING TO QUALIFIED SERVICE PERSONNEL.
- V. IF USED IN INDUSTRIAL ENVIRONMENTS, SPECIAL PRECAUTIONS MAY NEED TO BE TAKEN TO LIMIT TRANSIENT VOLTAGES.

## TABLE OF CONTENTS

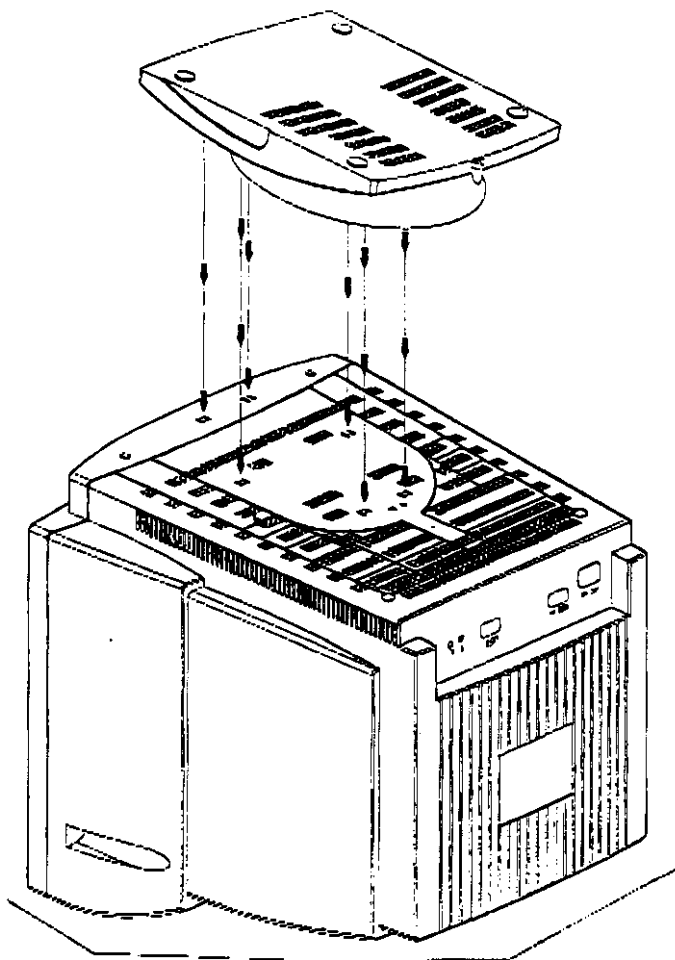
INTRODUCTION.....	6
INSTALLATION INSTRUCTIONS.....	7-8
CONTROLS AND OPERATION.....	9-10
SPECIFICATIONS.....	11-13
INPUT PIN ASSIGNMENT.....	<u>14</u>
TIMING CHART.....	<u>15</u>

## **INSTALLATION INSTRUCTIONS**

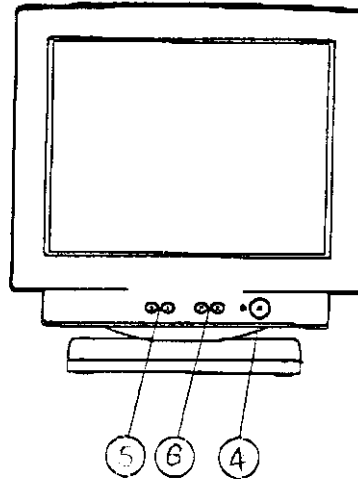
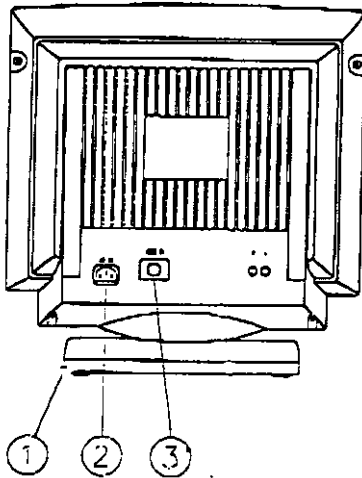
### **CAUTION:**

Be sure to turn off the AC Power to the monitor before making connections.

1. Assemble the tilt/swivel base as shown below.
2. Connect the power cord as shown on next page.
3. Connect the end of the signal cable to the display connector of computer and tighten the screws as shown on next page.



## CONTROLS AND OPERATION



### **1. TILT/SWIVEL BASE**

Turn the monitor for comfortable viewing angle within 180 degrees horizontally and 20 degrees vertically. (Please refer to instructions on bottom of rear cover for installation.)

### **2. AC INPUT CONNECTOR (Appliance coupler)**

Connect to AC outlet with supplied power cord.

### **3. SIGNAL INPUT CONNECTOR (15-pin mini D-SUB)**

Connect to the display adapter output of a computer having analog video output. (Please see installation instructions.)

### **4. POWER SWITCH AND INDICATOR**

Press this switch to turn on the monitor and the indicator will light up. To turn off the monitor, press it again.

### **5. SELECT BUTTON**

Push "1 OR 2" button to display OSD menu and select Main function then push  $\nabla$  /  $\Delta$  (OR 1 OR 2) button to select Sub-function for adjust.

### **6. ADJUST BUTTON**

Push +/- button to obtain preferred picture performance or to execute a function.

# SPECIFICATIONS

MODEL		DC-885 FA
CRT	SIZE	19 INCH DIAGONAL (18" VIEWABLE)
	DEFLECTION ANGLE	90 DEGREES
	DOT PITCH	0.25MM
	SCREEN	DOT TYPE NON-GLARE
GRAPHICS STANDARDS COMPATIBILITY		NON-INTERLACED 1600x1200, 1280x1024, 1024x768 XGA, SUPER VGA, VGA.
RESOLUTION (MAX)		1600x1200 NON-INTERLACED
VIDEO BANDWIDTH (DOT RATE)		150MHZ
SYNCHRONIZATION	HORIZONTAL	31.5 to 94.0KHZ
	VERTICAL	60 to 85Hz
INPUT	VIDEO	RGB ANALOG 0.7VP-P/75 OHMS POSITIVE
SIGNAL	SYNC	TTL SEPARATE / COMPOSITE(+/-)
DISPLAY COLORS		UNLIMITED
DISPLAY AREA (H x V)		340mmx255mm (RECOMMENDED) THE DISPLAY AREA DEPENDS ON ACTUAL SIGNAL TIMINGS
POWER SOURCE		90-284 VAC
POWER CONSUMPTION		130W
INPUT CONNECTOR		15 PIN MINI D-SUB
DIMENSION		480mm (D) x 468mm (W) x 433mm(H)
WEIGHT		21 KG (46.2 LBS)
OSD USER CONTROLS		POWER SWITCH, BRIGHTNESS, CONTRAST, H.POSITION, H.SIZE V.POSITION, V.SIZE, PINCUSHION, PARALLEL, ROTATION, TRAPEZOID PIN-BALANCE, COLOR TEMP, R, G, B, D-SUB MOIRE, STATUS, RECALL, LANGUAGE, EXIT
OPERATING TEMPERATURE		0 °C TO 40 °C
OPERATING HUMIDITY		10% TO 80%
NORDIC STANDARD		MPR II
PLUG & PLAY		DDC 1/2 B
POWER MANAGEMENT		DPMS (VESA) / NUTEK
POWER FACTOR CORRECTION		NO

## **POWER MANAGEMENT**

THIS MONITOR CAN SUPPORT VESA , NUTEK AND E-2000 POWER MANAGEMENT SYSTEMS, INDICATED BY THE LED ON THE FRONT PANEL :

STATE	LED COLOR	POWER CONSUMPTION
ON	GREEN	
STANDBY/ SUSPEND	AMBER	<15W
ACTIVE OFF	AMBER	<3W

This monitor remains in the power-saving state until you press a key on the keyboard or move the mouse (if available).

## **DISPLAY DATA CHANNEL (DDC)**

COMMUNICATION CHANNEL TYPE: VESA DDC 1/2B.

ESTABLISHED TIMINGS: AS PRESET TIMING CHARTS.

**PRESET TIMING CHARTS**

RESOLUTION.	HOR.FREQ.	VERT.FREQ.	SYNC POLARITY	
			HOR.	VERT
640 x 480	31.47 KHZ	60 HZ	-	-
640 x 480	37.5 KHZ	75 HZ	-	-
800 x 600	46.875 KHZ	75 HZ	+	+
1024 x 768	60.023 KHZ	75 HZ	+	+
1024 x 768	68.677 KHZ	85 HZ	+	+
1024 x 768	48.363 KHZ	60 HZ	-	-
1280 x 1024	79.976 KHZ	75.025 HZ	+	+
1280 x 1024	91.146 KHZ	85.024 HZ	+	+
1600 x 1200	75 KHZ	60 HZ	+	+
1600 x 1200	93.75 KHZ	75 HZ	+	+

5011017100





FEDERAL COMMUNICATIONS COMMISSION  
Authorization and Evaluation Division  
7435 Oakland Mills Road  
Columbia, MD 21046  
U.S.A.

FCC ID:H79DC-995

Re: About the modification of COLOR MONITOR

Gentlemen:

I hereby, declare that all modification on the E.U.T.,  
FCC ID: H79DC-995, will be added or layout on the mass production  
products. Modifications are shown as below:

1. Add a ferrite core, NWE, 14 X 6 X 28 mm, on the D-Sub Signal Cable near by the PC end.  
(As the photo No.3)
2. Add a ferrite core, NWE, 14 X 6 X 28 mm, on the D-Sub Signal Cable near by the Video board.  
(As the photo No.8)
3. Add a ferrite core, NWE, 14 X 6 X 14 mm, on the H-V Sync. wire near by the Video board.  
(As the photo No.8)
4. Add a ferrite core, NWE, 14 X 6 X 14 mm, on the P801 wire near by the Video board.  
(As the photo No.8)
5. The CRT board is shielded with a metal box and it was connected to chassis by six ground wires.  
(As the photo No.9)
6. Add a ferrite core, NWE, 14 X 6 X 5 mm, on the G2 wire.  
(As the photo No.10,11)
7. Add a ferrite core, NWE, 14 X 6 X 28 mm, on the focus wire.  
(As the photo No.11)
8. Add a ferrite core, NWE, 14 X 6 X 14 mm, on the ground wire which is connected from CRT ground wire to GND of the Main board.  
(As the photo No.15)
9. Add a ferrite core, NWE, 14 X 6 X 28 mm, on the ground wire which is connected from CRT ground wire to GND of the Video board.  
(As the photo No.16)
10. Add a ferrite core, NWE, 14 X 6 X 28 mm, on the ground wire which is connected from CRT ground wire to GND of the Main board.  
(As the photo No.16)

Sincerely yours.

Y. Y. Ford.

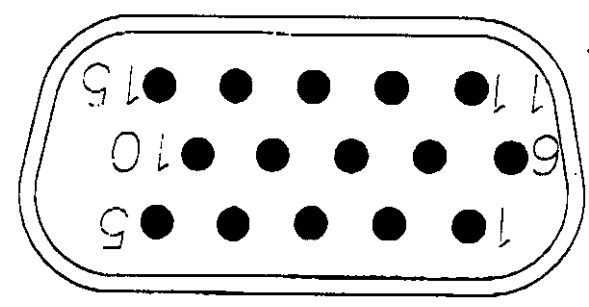
Engineer

EXHIBIT B





SIGNAL	PIN NO.
RED VIDEO	1.
GREEN VIDEO	2.
BLUE VIDEO	3.
GROUND	4.
NO CONNECTION	5.
RED VIDEO RETURN	6.
GREEN VIDEO RETURN	7.
BLUE VIDEO RETURN	8.
NO CONNECTION	9.
GROUND	10.
GROUND	11.
SDA	12.
HORIZONTAL SYNC ( COMPOSITE SYNC )	13.
VERTICAL SYNC	14.
SCL	15.



INPUT PIN ASSIGNMENT

MODEL		DC-995 LAT
CRT	SIZE	19 INCH DIAGONAL (18" VIEWABLE)
	DEFLECTION ANGLE	90 DEGREES
SCREEN	DOT PITCH	0.25MM
	SCREEN	DOT TYPE NON-GLARE
GRAPHICS STANDARDS COMPATIBILITY		NON-INTERLACED 1600x1200, 1280x1024, 1024x768 XGA, SUPER VGA, VGA
RESOLUTION (MAX)		1600x1200 NON-INTERLACED
VIDEO BANDWIDTH (DOT RATE)		150MHZ
SYNCHRONIZATION	HORIZONTAL	31.5 to 94.0KHZ
	VERTICAL	60 to 85HZ
INPUT	VIDEO	RGB ANALOG 0.7VP-P/75 OHMS POSITIVE
	SYNC	TTL SEPARATE / COMPOSITE(+/-)
DISPLAY COLORS		UNLIMITED
DISPLAY AREA (H x V)		340mmx255mm (RECOMMENDED) THE DISPLAY AREA DEPENDS ON ACTUAL SIGNAL TIMINGS
POWER SOURCE		90-264 VAC
POWER CONSUMPTION		130W
INPUT CONNECTOR		15 PIN MINI D-SUB
DIMENSION		480mm (D) x 465mm (W) x 433mm(H)
WEIGHT		21 KG (46.2 LBS)
OSD USER CONTROLS		POWER SWITCH, BRIGHTNESS, CONTRAST, H.POSITION, H.SIZE V.POSITION, V.SIZE, P.INCUSHION, PARALLEL, ROTATION, TRAPEZOID PIN,BALANCE,COLOR TEMP,R,G,B,D-SUB MOIRE, STATUS,RECALL,LANGUAGE,EXIT
OPERATING TEMPERATURE		0 °C TO 40 °C
OPERATING HUMIDITY		10% TO 80%
NORDIC STANDARD		TCO 95
PLUG & PLAY		DDC 1/2 B
POWER MANAGEMENT		DPMS (VESA) / NUTEK
POWER FACTOR CORRECTION		NO

**SPECIFICATIONS**

### OSD OPERATION SEQUENCY

1. To enter OSD: push "1 OR 2" button.
2. To exit OSD : 1. Push "1" + "2" two keys simultaneously or  
2. Select "exit" button
3. At default state (screen without OSD),"adjust" buttons function as contrast and Brightness control.

### OSD MENU

#### --BASIC

- CONTRAST
- BRIGHTNESS
- H-SIZE
- H-POSITION
- V-SIZE
- V-POSITION
- RECALL
- ESC

#### --GEOMETRY


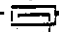

- PINCUSHION
- TRAPEZOID
- PIN-BALANCE
- PARALLEL
- ROTATION
- MOIRE
- DEGAUSS
- RECALL
- ESC

#### --COLOR

-9300 / 6500 / 5500

#### --STATUS

#### --OSD FUNCTION

-  -POSITION
-  -POSITION
-  -ESC

#### --LANGUAGE

( ENGLISH / FRENCH / GERMAN / SPANISH / ITALIAN )

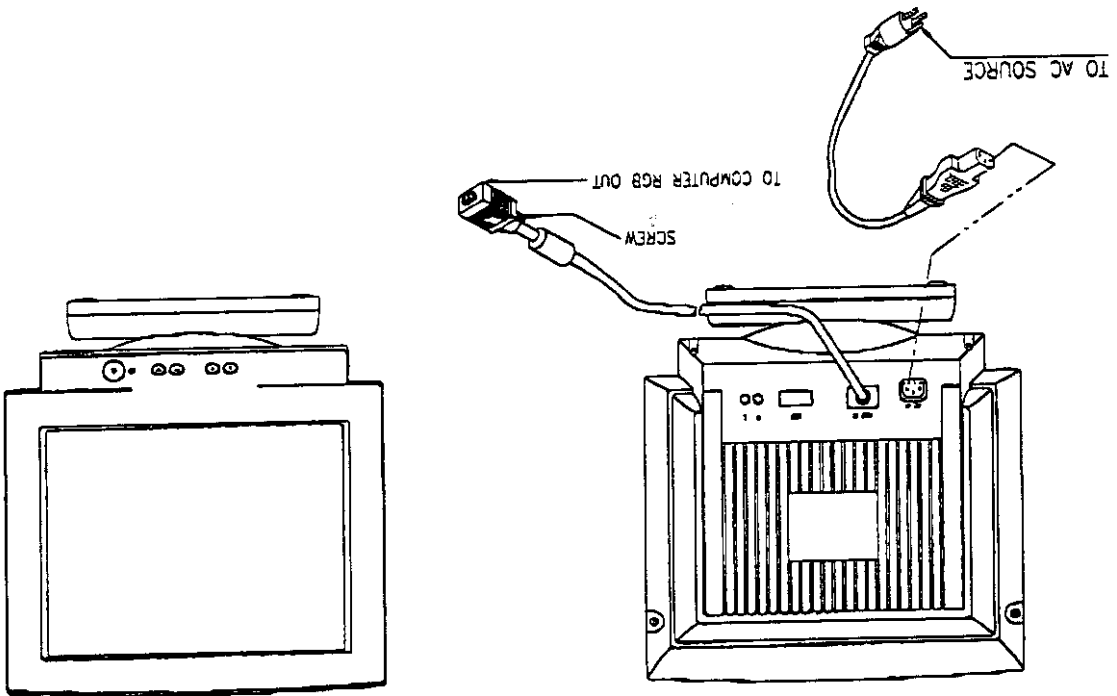
#### --EXIT

For units used at 230V (outside of U.S.): Use a cord set consisting of a minimum No. 18 AWG cord and grounding type attachment plug rated 3A minimum 250V. The cord set should have the appropriate safety approvals for the country in which the equipment will be installed and marked HAR.

For units used at 230V (domestic use): Use a UL Listed cord set consisting of a minimum No. 18 AWG, Type SVT or SJT, rated 3A minimum 250V, three conductor cord a maximum of 15 ft in length and a tandem blade, grounding type attachment plug.

For units used at 120V: Use a UL Listed cord set consisting of a minimum No. 18 AWG, Type SVT or SJT, rated 6A minimum 125V, three-conductor cord a maximum of 15 ft in length and a parallel blade, grounding type attachment plug.

### USING THE RIGHT POWER CORD FOR 230VAC



## INTRODUCTION

Our monitors is high resolution color monitors for use with

IBM PC/XT/AT and PS/2 computers or compatibles with

analog RGB output

The monitors support timings of graphics adapters including:

VGA, super VGA, 8514/A, XGA, 1024x768, 1280x1024 and 1600x1200.

## FEATURES

Automatically scan horizontal and vertical frequencies.

Analog input signal provides the capability of unlimited display colors.

Auto sizing and auto centering between modes of graphics standards.

Horizontal size/center, vertical size/center, pincushion, trapezoid and

color temperature are adjustable to adapt to a variety of graphics

cards.

Fine phosphor pitch and non-glare CRT provides greater image clarity.



It is essential that only the supplied power cord be used and use shielded cables to connect I/O devices to this equipment. You are cautioned that changes or modifications not expressly approved by the party responsible for compliance could void your authority to operate the equipment

**Warning:**

- Reorient or relocate the receiving antenna.
- Increase the separation between the equipment and receiver.
- Connect the equipment into an outlet on a circuit different from that to which the receiver is connected.
- Consult the dealer or an experienced radio/TV technician for help.

This equipment has been tested and found to comply with the limits for a class B digital device, pursuant to part 15 of the FCC rules. These limits are designed to provide reasonable protection against harmful interference in a residential installation. This equipment generates, uses and can radiate radio frequency energy and, if not installed and used in accordance with the instructions may cause harmful interference to radio communications. However, there is no guarantee that interference will not occur in a particular installation. If this equipment does cause harmful interference to radio or television reception, which can be determined by turning the equipment off and on, the user is encouraged to try to correct the interference by one or more of the following measures:

**Federal communications commission (FCC) Statement**

## Sicherheitsmaßnahmen und Wartung

1. Den Monitor von der Netzspannung trennen, wenn der Monitor längere Zeit nicht benutzt wird.
2. Versuchen Sie nicht, die rückseitige Abdeckung zu entfernen, da hierdurch stromführende Teile freigelegt werden und die Gefahr von elektrischen Schlägen besteht. Die rückseitige Abdeckung darf nur von qualifiziertem Wartungspersonal abgenommen werden.
3. Legen Sie keine Gegenstände auf das Monitorgehäuse, die in die Belüftungsschlitze fallen können oder diese Schlitze abdecken können, so daß die entstehende Wärme nicht ausreichend abgeführt werden kann.
4. Setzen Sie den Monitor nicht Regen oder übermäßiger Feuchtigkeit aus, um die Gefahr eines elektrischen Schlages oder einer dauerhaften Beschädigung des Gerätes zu vermeiden.
5. Verwenden Sie keine Flüssigkeiten auf Alkohol- oder Ammoniakbasis zur Reinigung des Gerätes. Falls erforderlich, wischen Sie das Gerät mit einem leicht angefeuchteten Tuch ab. Trennen Sie den Monitor vorher von der Netzspannung!
6. Wenden Sie sich an einen Service-Techniker, wenn der Monitor nicht normal funktioniert, obwohl Sie die Bedienungsanweisungen in diesem Handbuch befolgt haben.
7. Den Monitor nicht in direktem Sonnenlicht oder in der Nähe von Wärmequellen, z. B. von Heizkörpern, aufstellen.
8. Um eine Überhitzung zu vermeiden ist sicherzustellen, daß die Belüftungsöffnungen im Monitorgehäuse nicht verdeckt werden.
9. Den Monitor nicht Feuchtigkeit oder Staub aussetzen.
10. Den Monitor von magnetischen Gegenständen wie Lautsprechern, Elektromotoren, Transformator usw. Entfernt halten.
11. Bei der Aufstellung des Monitors darauf achten, daß Netzstecker und Netzbuchse leicht zugänglich sind.