



849 NW STATE ROAD 45
 NEWBERRY, FL 32669 USA
 PH: 888.472.2424 OR 352.472.5500
 FAX: 352.472.2030
 EMAIL: INFO@TIMCOENGR.COM
[HTTP://WWW.TIMCOENGR.COM](http://WWW.TIMCOENGR.COM)

**FCC PART 90
 AND IC RSS-119, RSS-GEN
 CLASS II PERMISSIVE CHANGE
 TEST REPORT**

APPLICANT	KP ELECTRONIC SYSTEMS LTD.
	P.O. BOX 42 TEFEN INDUSTRIAL PARK 24959 ISRAEL
FCC ID	H78KPMTWEN1HL
IC CERTIFICATION	2445A-KPMTWEN1HL
MODEL NUMBER	MTWEN1HL
PRODUCT DESCRIPTION	AUTOMATIC METER READING TRANSMITTER
DATE SAMPLE RECEIVED	12/20/2010
DATE TESTED	12/20/2010
TESTED BY	NAM NGUYEN
APPROVED BY	MARIO R DE ARANZETA
TIMCO REPORT NO.	2871IT10TestReport.doc
TEST RESULTS	<input checked="" type="checkbox"/> PASS <input type="checkbox"/> FAIL

**THE ATTACHED REPORT SHALL NOT BE REPRODUCED EXCEPT IN FULL
 WITHOUT THE WRITTEN APPROVAL OF TIMCO ENGINEERING, INC.**



TABLE OF CONTENTS

GENERAL REMARKS.....	3
GENERAL INFORMATION.....	4
TEST PROCEDURES	5
MODULATION CHARACTERISTICS	6
OCCUPIED BANDWIDTH.....	7
EMC EQUIPMENT LIST	11

Applicant: KP ELECTRONIC SYSTEMS LTD.
FCC ID: H78KPMTWEN1HL
IC CERT #: 2445A-KPMTWEN1HL
Report: K\KP H78\2871IT10\2871IT10TestReport.doc

GENERAL REMARKS

The attached report shall not be reproduced except in full without the written permission of Timco Engineering Inc.

The test results relate only to the items tested.

Summary

The device under test does:

- fulfill the general approval requirements as identified in this test report
 not fulfill the general approval requirements as identified in this test report

Attestations

This equipment has been tested in accordance with the standards identified in this test report. To the best of my knowledge and belief, these tests were performed using the measurement procedures described in this report.

All instrumentation and accessories used to test products for compliance to the indicated standards are calibrated regularly in accordance with ISO 17025: 2005 requirements.



Testing Certificate # 0955-01

I attest that the necessary measurements were made, under my supervision, at:

Timco Engineering Inc.
849 NW State Road 45
Newberry, Fl 32669



Authorized Signatory Name:

Mario de Aranzeta C.E.T.
Compliance Engineer/ Lab. Supervisor

Date: February 10, 2011

Applicant: KP ELECTRONIC SYSTEMS LTD.
FCC ID: H78KPMTWEN1HL
IC CERT #: 2445A-KPMTWEN1HL
Report: K\KP H78\2871IT10\2871IT10TestReport.doc

GENERAL INFORMATION
DUT Specification

DUT Description	AUTOMATIC METER READING TRANSMITTER
FCC ID	H78KPMTWEN1HL
IC Certification	2445A-KPMTWEN1HL
Model Number	MTWEN1HL
Serial Number	N/A
Test Conditions	The temperature was 26°C with a relative humidity of 50%.
Modification to the DUT	None
Test Exercise	The DUT was placed in continuous transmit mode.
Applicable Standards	ANSI/TIA 603-C:2004, FCC CFR 47 Part 90, IC RSS-119, RSS-GEN
Test Facility	Timco Engineering Inc. at 849 NW State Road 45 Newberry, FL 32669 USA.

Applicant: KP ELECTRONIC SYSTEMS LTD.
 FCC ID: H78KPMTWEN1HL
 IC CERT #: 2445A-KPMTWEN1HL
 Report: K\KP H78\2871IT10\2871IT10TestReport.doc

TEST PROCEDURES

Bandwidth 20 dB: The measurements were made with the spectrum analyzer's resolution bandwidth (RBW) = 1 MHz and the video bandwidth (VBW) = 3 MHz and the span set as shown on plot.

Applicant: KP ELECTRONIC SYSTEMS LTD.
FCC ID: H78KPMTWEN1HL
IC CERT #: 2445A-KPMTWEN1HL
Report: K\KP H78\2871IT10\2871IT10TestReport.doc

MODULATION CHARACTERISTICS

Part 2.1033(c)

Part 2.1033(c) (4) Type of Emission: 11K2F1D , 11K2F2D, 6K0F1D

FCC Part 90.209, IC RSS-119 5.5

FCC Part 90.207

Type of Emission: 11K2F2D, F1D

$$B_n = 2M + 2DK$$

$$M = B/2 = 9600/2 = 4800$$

$$D = 800$$

$$K=1$$

$$B_n = 2(4800) + 2(800) = 11.2k$$

Type of Emission: 6K0F1D

$$B_n = 2M + 2DK$$

$$M = B/2 = 4800/2 = 2400$$

$$D = 600$$

$$K=1$$

$$B_n = 2(2400) + 2(600) = 6.0k$$

Applicant: KP ELECTRONIC SYSTEMS LTD.
FCC ID: H78KPMTWEN1HL
IC CERT #: 2445A-KPMTWEN1HL
Report: K\KP H78\2871IT10\2871IT10TestReport.doc

OCCUPIED BANDWIDTH

FCC Part 2.1049(c), RSS-GEN 4.6 EMISSION BANDWIDTH FCC Part 90.210(b) RSS-119 4.2 25kHz Channel Spacing

Data in the plots show that on any frequency removed from the assigned frequency by more than 50%, but not more than 100%: At least 25dB. On any frequency removed from the assigned frequency by more than 100%, but not more than 250%: At least 35 dB. On any frequency removed from the assigned frequency by more than 250%, of the authorized bandwidth: At least $43 + 10\log(P)$ dB.

Part 90.210(c) 12.5kHz Channel Spacing Not Equipped with a Low Pass Filter

For transmitters that are not equipped with an audio low pass filter pursuant to S90.211 (b), the power of any emission must be attenuated below the un-modulated carrier output power as follows; (1) On any frequency removed from the center of the authorized bandwidth by a displacement frequency (f_d in kHz) of more than 5 kHz but not more than 10 kHz: At least $83 \log(f_d/5)$ dB; (2) ON any frequency removed from the center of the authorized bandwidth by a displacement frequency (f_d in kHz) of more than 10 kHz, but not more than 250% of the authorized bandwidth: At least $29 \log(f_d/11)$ dB or 50 dB, whichever is the lesser attenuation; (3) On any frequency removed from the center of the authorized bandwidth by more than 250% of the authorized bandwidth: At least $43+10 \log(P_0)$ dB.

Part 90.210(d) Emission Mask D - 12.5 kHz channel BW equipment.

For transmitters designed to operate with a 12.5 kHz channel bandwidth, any emission must be attenuated below the power (P) of the highest emission contained within the authorized bandwidth as follows:

- (1) On any frequency from the center of the authorized bandwidth f_0 to 5.625 kHz removed from f_0 : Zero dB.
- (2) On any frequency from the center of the authorized bandwidth by a displacement frequency (f_d in kHz) of more than 5.625 kHz but no more than 12.5 kHz: At least $7.27(f_d - 2.88 \text{ kHz})$ dB.
- (3) On any frequency removed from the center of the authorized bandwidth by a displacement frequency (f_d in kHz) of more than 12.5 kHz: At least $50 + 10\log(P)$ dB or 70 dB, whichever is the lesser attenuation.

Part 90.210(e) Emission Mask E – 6.25 kHz channel BW equipment.

For transmitters designed to operate with a 6.25 kHz bandwidth, any emission must be attenuated below the power (P) of the highest emission contained within the authorized bandwidth as follows:

- (1) On any frequency from the center of the authorized bandwidth f_0 to 3.0 kHz removed from f_0 : Zero dB.
- (2) On any frequency from the center of the authorized bandwidth by a displacement frequency (f_d in kHz) of more than 3.0 kHz but no more than 4.6 kHz: At least $30 + 16.67(f_d - 3.0 \text{ kHz})$ or $55 + 10 \log(P)$ or 65, whichever is the lesser attenuation.
- (3) On any frequency removed from the center of the authorized bandwidth by more than 4.6kHz: At least $55 + 10\log(P)$ dB or 65 dB, whichever is the lesser attenuation.

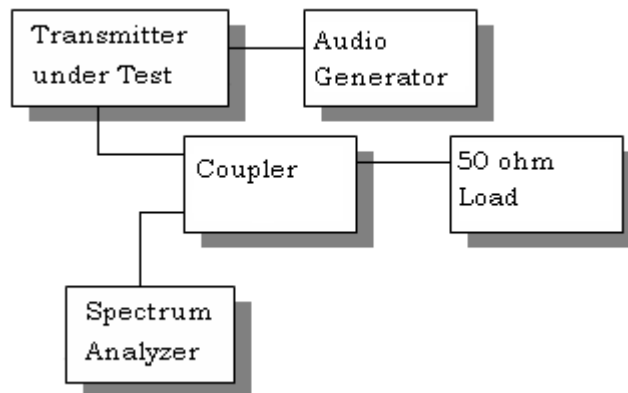
Applicant: KP ELECTRONIC SYSTEMS LTD.
FCC ID: H78KPMTWEN1HL
IC CERT #: 2445A-KPMTWEN1HL
Report: K\KP H78\2871IT10\2871IT10TestReport.doc

OCCUPIED BANDWIDTH MEASUREMENT

Test procedure: ANSI/TIA-603-C:2004 para 2.2.11.

Test Setup Diagram:

OCCUPIED BANDWIDTH MEASUREMENT



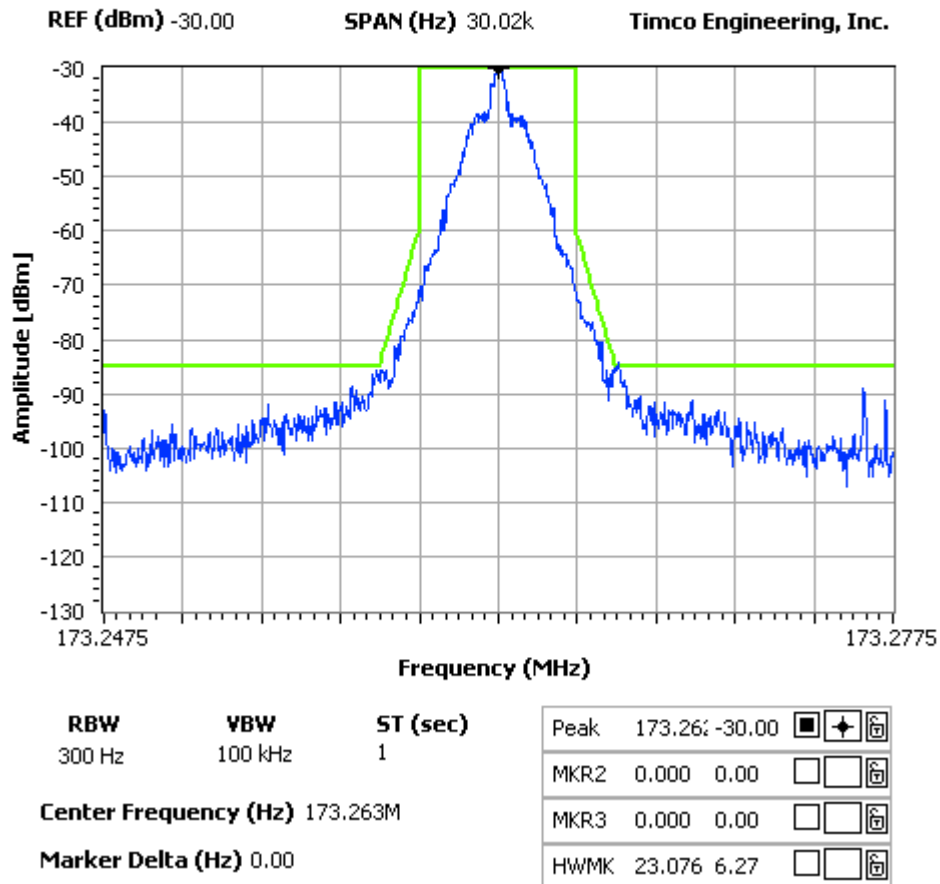
Test Data: See the plots below

6. 25 kHz

NOTES:

KP ELECTRONIC SYSTEMS LTD. FCC ID: H78KPMTWEN1HL
OCCUPIED BANDWIDTH PLOT

FCC 90.210 Mask E

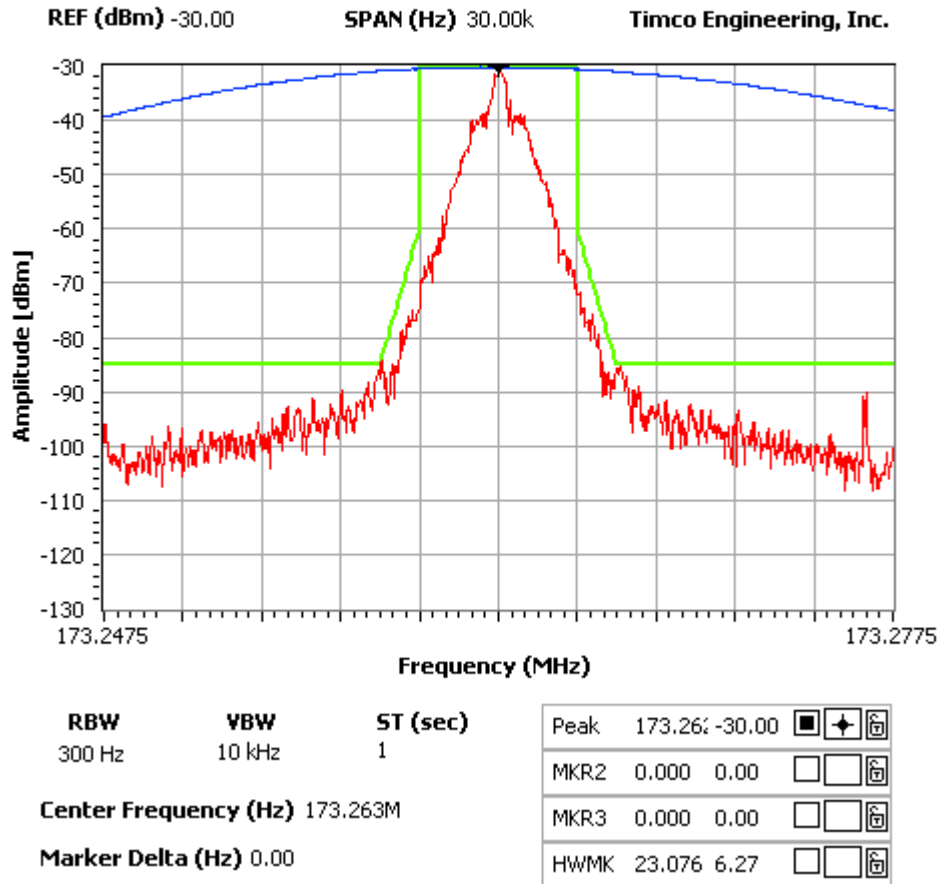


Applicant: KP ELECTRONIC SYSTEMS LTD.
 FCC ID: H78KPMTWEN1HL
 IC CERT #: 2445A-KPMTWEN1HL
 Report: K\KP H78\2871IT10\2871IT10TestReport.doc

NOTES:

KP ELECTRONIC SYSTEMS LTD. - FCC ID: H78KPMTWEN1HL
 OCCUPIED BANDWIDTH PLOT

FCC 90.210 Mask E



Applicant: KP ELECTRONIC SYSTEMS LTD.
 FCC ID: H78KPMTWEN1HL
 IC CERT #: 2445A-KPMTWEN1HL
 Report: K\KP H78\2871IT10\2871IT10TestReport.doc

EMC EQUIPMENT LIST

Device	Manufacturer	Model	Serial Number	Cal/Char Date	Due Date
3-Meter Semi-Anechoic Chamber	Panashield	N/A	N/A	Listed 3/10/10	3/10/12
AC Voltmeter	HP	400FL	2213A14499	CAL 3/23/09	3/23/11
Antenna: Dipole Kit	Electro-Metrics	TDA-30/1-4	153	CHAR 6/10/09	6/10/11
Frequency Counter	HP	5385A	3242A07460	CAL 5/26/09	5/26/11
Hygro-Thermometer	Extech	445703	0602	CAL 1/30/09	1/30/11
Modulation Analyzer	HP	8901A	3435A06868	CAL 5/26/09	5/26/11
Digital Multimeter	Fluke	FLUKE-77-3	79510405	CAL 5/18/09	5/18/11
Analyzer Tan Tower Preamplifier	HP	8449B-H02	3008A00372	CAL 11/21/09	11/21/11
Analyzer Tan Tower Quasi-Peak Adapter	HP	85650A	3303A01690	CAL 11/22/09	11/22/11
Analyzer Tan Tower RF Preselector	HP	85685A	3221A01400	CAL 11/21/09	11/21/11
Analyzer Tan Tower Spectrum Analyzer	HP	8566B Opt 462	3138A07786 3144A20661	CAL 11/24/09	11/24/11
Temperature Chamber	Tenney Engineering	TTRC	11717-7	CHAR 4/25/10	4/25/12

Applicant: KP ELECTRONIC SYSTEMS LTD.
 FCC ID: H78KPMTWEN1HL
 IC CERT #: 2445A-KPMTWEN1HL
 Report: K\KP H78\2871IT10\2871IT10TestReport.doc