

## Installation manual

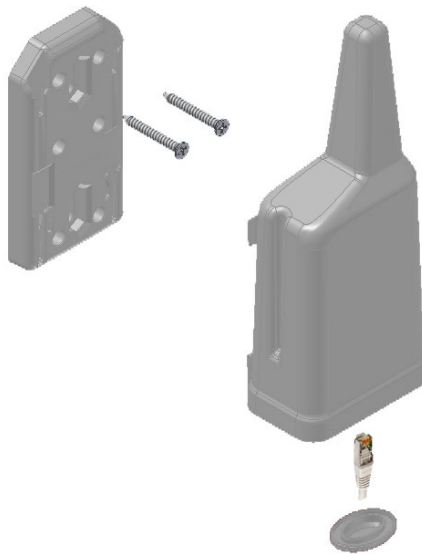
The MTWE is designed for inside / outside installations for all non pit applications. MTWE is a long range radio Meter Transmission Unit (MTU). The MTU interrogates the encoder register at a preprogrammed interval to obtain the most recent read, and transmits the data to the base station receiver. Single- port and dual-port encoder type MTUs are available.

### Required tools and materials

- Wire stripping tool.
- Screwdriver – small standard head for terminal connections.
- Power drill and bit (1/4”).
- 1 1/4 “sheet metal / wood screws.
- FTU101
- FTU100WMP

### Wall mount – Installation Process

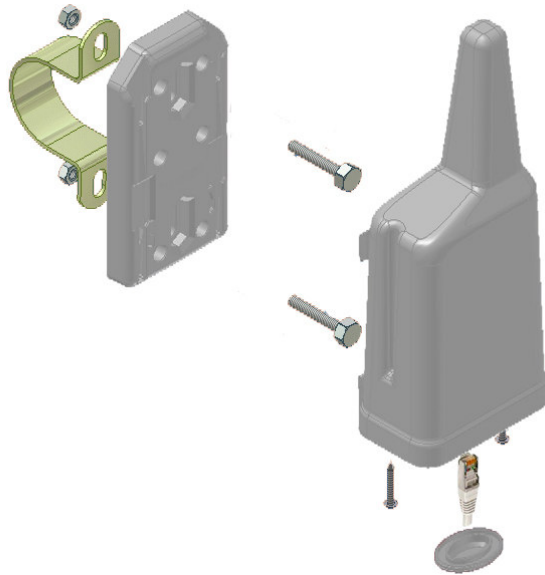
- Place the mounting bracket on intended installation location.
- Mark the location to pre drill the holes.
- Remove the bracket from the wall and use a 1/4” drill bit to pre drills the holes.
- Place the bracket on the wall and align it with the holes.
- Mount the bracket to the wall using two 1 1/4” screws.



**Figure -Error! No text of specified style in document.1: Wall Mount Installation Process**

## Pipe Mount – Installation Process

- Place the mounting bracket on the intended installation location.
- Fasten the mounting bracket on the pipe using two screws and the “omega” bracket (see figure).
- Slide the MTU on the mounting bracket until the four clips lock the unit in place.



**Figure -2: Pipe Mount Installation Process**