

Fig1

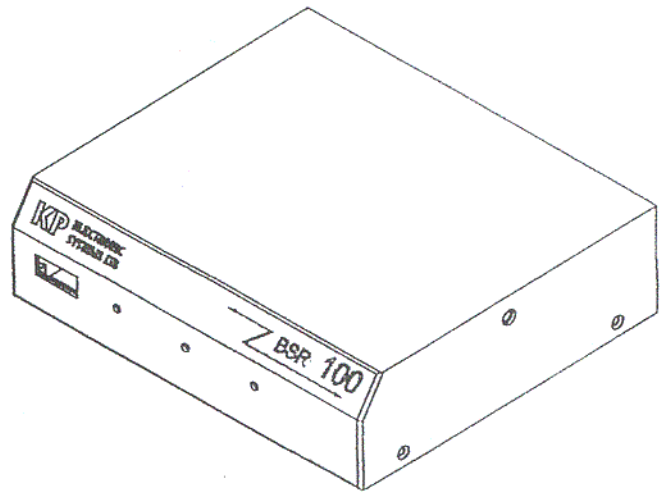


Fig2

MODEL: BSR100
PART NUMBER: BSR100H
FREQUENCY: 164.500 MHz
SERIAL NO: 01050001
VOLTAGE: 12VDC
FCC ID NO: H78KPBSR100
KP ELECTRONIC SYSTEMS LTD.
MADE IN ISRAEL

Label location

Top left on underside of unit, position on closest to cable connectors on front panel (see fig 1).

KP ELECTRONICS SYSTEMS
FCC ID : H78KPBSR100
JOB # : 599AU1
EXHIBIT # : 1