

6.10. FREQUENCY STABILITY @ FCC §2.1055 & §90.213

6.10.1. Limits

Please refer to FCC CFR 47, Part 90, Subpart I, Para. 90.213 for specification details.

FREQUENCY RANGE (MHz)	FIXED & BASE STATIONS (ppm)
929-930	1.5
935-940	0.1

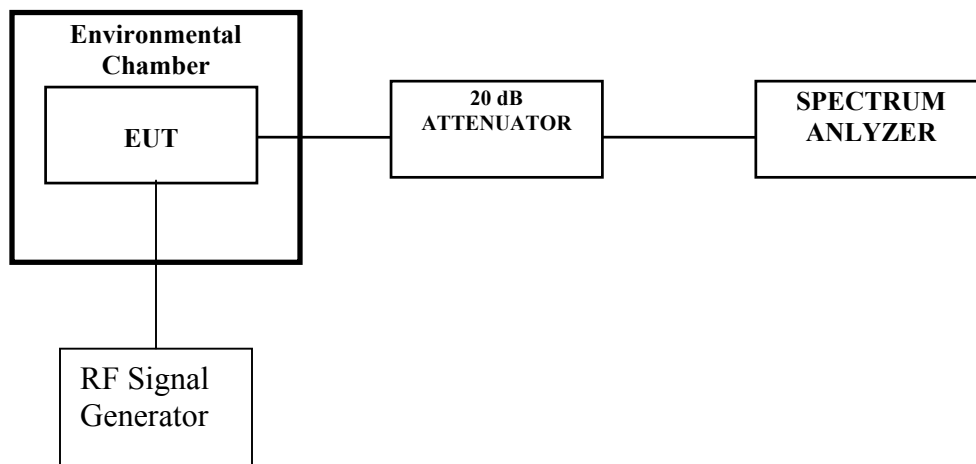
6.10.2. Method of Measurements

Refer to FCC § 2.1055 and Exhibit 8, Section 8.3 of this report for detailed test procedures.

6.10.3. Test Equipment List

Test Instruments	Manufacturer	Model No.	Serial No.	Frequency Range
Spectrum Analyzer/EMI Receiver	Hewlett Packard	HP 8593EM	3412A00103	9 kHz – 26.5 GHz
Attenuator(s)	Bird	DC – 22 GHz
Temperature & Humidity Chamber	Tenney	T5	9723B	-40° to +60° C range

6.10.4. Test Arrangement



6.10.5. Test Data

Frequency Band:	928 – 941 MHz
Center Frequency:	928 MHz
Full Power Level:	17 dBm
Frequency Tolerance Limit:	±0.1 ppm (Worst case)
Max. Frequency Tolerance Measured:	0.000 ppm
Input Voltage Rating:	28 Vdc

Ambient Temperature (°C)	Center Frequency & RF Power Output Variation		
	Supply Voltage (Nominal) 28 Volts	Supply Voltage (85 % of Nominal) 23.8 Volts	Supply Voltage (115% of Nominal) 32.2 Volts
	Hz	Hz	Hz
-30	0	N/A	N/A
-20	0	N/A	N/A
-10	0	N/A	N/A
0	0	N/A	N/A
+10	0	N/A	N/A
+20	0	0	0
+30	0	N/A	N/A
+40	0	N/A	N/A
+50	0	N/A	N/A