

6.10. FREQUENCY STABILITY @ FCC §2.1055 & §22.101(A)

6.10.1. Limits

Please refer to FCC CFR 47, Part 22, Subpart H, Sec. 22.101(a)

FREQUENCY RANGE (MHz)	FREQUENCY TOLERANCE (ppm)
869-894 (base)	±2.5

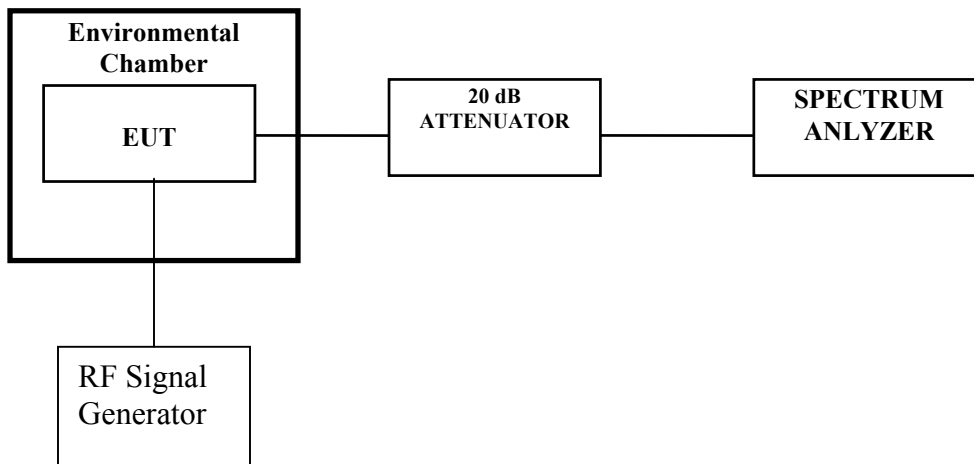
6.10.2. Method of Measurements

Refer to FCC § 2.1055 and Exhibit 8, Section 8.3 of this report for detailed test procedures.

6.10.3. Test Equipment List

Test Instruments	Manufacturer	Model No.	Serial No.	Frequency Range
Spectrum Analyzer/EMI Receiver	Hewlett Packard	HP 8593EM	3412A00103	9 kHz – 26.5 GHz
Attenuator(s)	Bird	DC – 22 GHz
Temperature & Humidity Chamber	Tenney	T5	9723B	-40° to +60° C range

6.10.4. Test Arrangement



6.10.5. Test Data

Frequency Band:	869 – 894 MHz
Center Frequency:	869 MHz
Full Power Level:	17 dBm
Frequency Tolerance Limit:	±2.5 ppm
Max. Frequency Tolerance Measured:	0.000 ppm
Input Voltage Rating:	28 Vdc

Ambient Temperature (°C)	Center Frequency & RF Power Output Variation		
	Supply Voltage (Nominal) 28 Volts	Supply Voltage (85 % of Nominal) 23.8 Volts	Supply Voltage (115% of Nominal) 32.2 Volts
	Hz	Hz	Hz
-30	0	N/A	N/A
-20	0	N/A	N/A
-10	0	N/A	N/A
0	0	N/A	N/A
+10	0	N/A	N/A
+20	0	0	0
+30	0	N/A	N/A
+40	0	N/A	N/A
+50	0	N/A	N/A