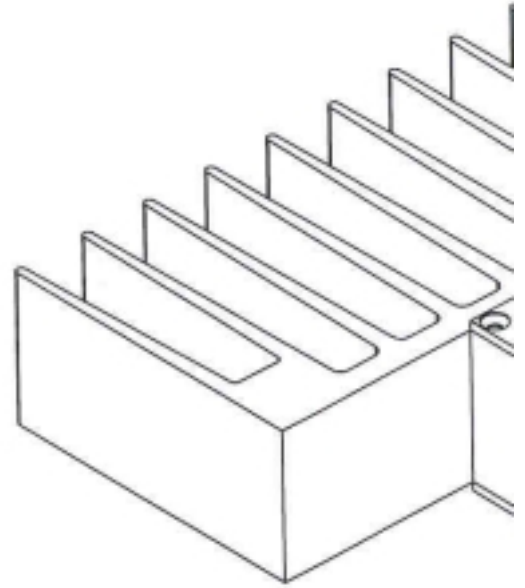


8.3.5 Mechanical Drawings 020280-9A-1, 020280-9A-2

NOTES
UNLESS OTHERWISE SPECIFIED:

1. REMOVE ALL SHARP EDGES AND DEBURR.
2. ALL CHARACTERS TO BE HELVETICA .060 HIGH UPPER CASE, CONTRASTING BLACK.



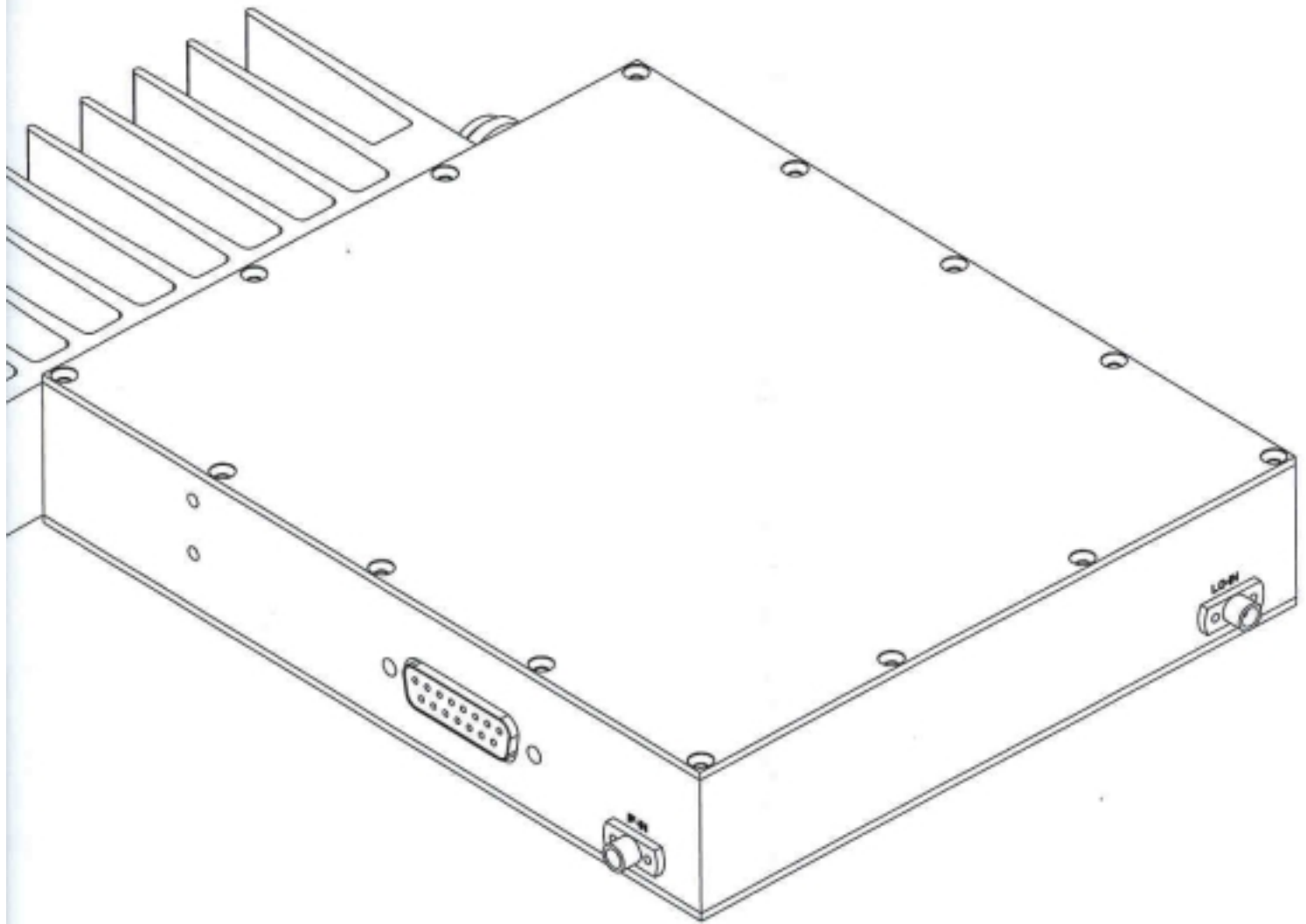
THIRD ANGLE PROJ.



NOTICE TO ALL PERSONS RECEIVING
DRAWING:

This drawing and the information here within is the property of S&A and is confidential. Reproduction to 3rd parties is forbidden without written permission of S&A, Inc. It is conditionally issued and does not confer any right in, or license to use, the matter, or any design, or technical shown thereon, nor any right to copy drawing or part thereof, except by vendors of S&A, Inc.

DATE: 24-Aug-98
DWG NAME: 020280-9A



IS RECEIVING THIS
 IN (MM)

UNLESS OTHERWISE SPECIFIED:
 DIMENSIONS ARE IN MILLIMETERS
 TOLERANCES

DECIMAL	ANGULAR
.XX ± .020	± 1°
.XXX ± .002	FRACTIONAL
.XXX ±	±

MATERIAL
 AL ALY

FINISH

DIMENSIONS TO BE HELD AFTER FINISH.
 REMOVE BURRS AND NON FUNCTIONAL SHARP
 EDGES WHERE APPLICABLE.

APPROVALS

DRAWN	DATE
M.DAVIS	980824
CHECKED	
DES ENGR	
APPROVED	

DO NOT SCALE DRAWING

STEPHEN MAKK & ASSOCIATES,
 1015 CONYERS EXECUTIVE PARK, SUITE 200
 CONYERS, GEORGIA 30012

TITLE
 OFR TRANSMIT MODULE

SIZE	FSCM NO.	DWG NO.
B		020280-9A

SCALE

SHEET 1

Information contained
 hereby of SMA, Inc.
 production or disclosure
 is prohibited without specific
 written permission of
 SMA, Inc. This drawing
 and does not transfer
 title to use, the subject
 or technical information
 right to reproduce this
 drawing, except for manufacture
 of the part shown.

72900-005

3563-0816

228280-08

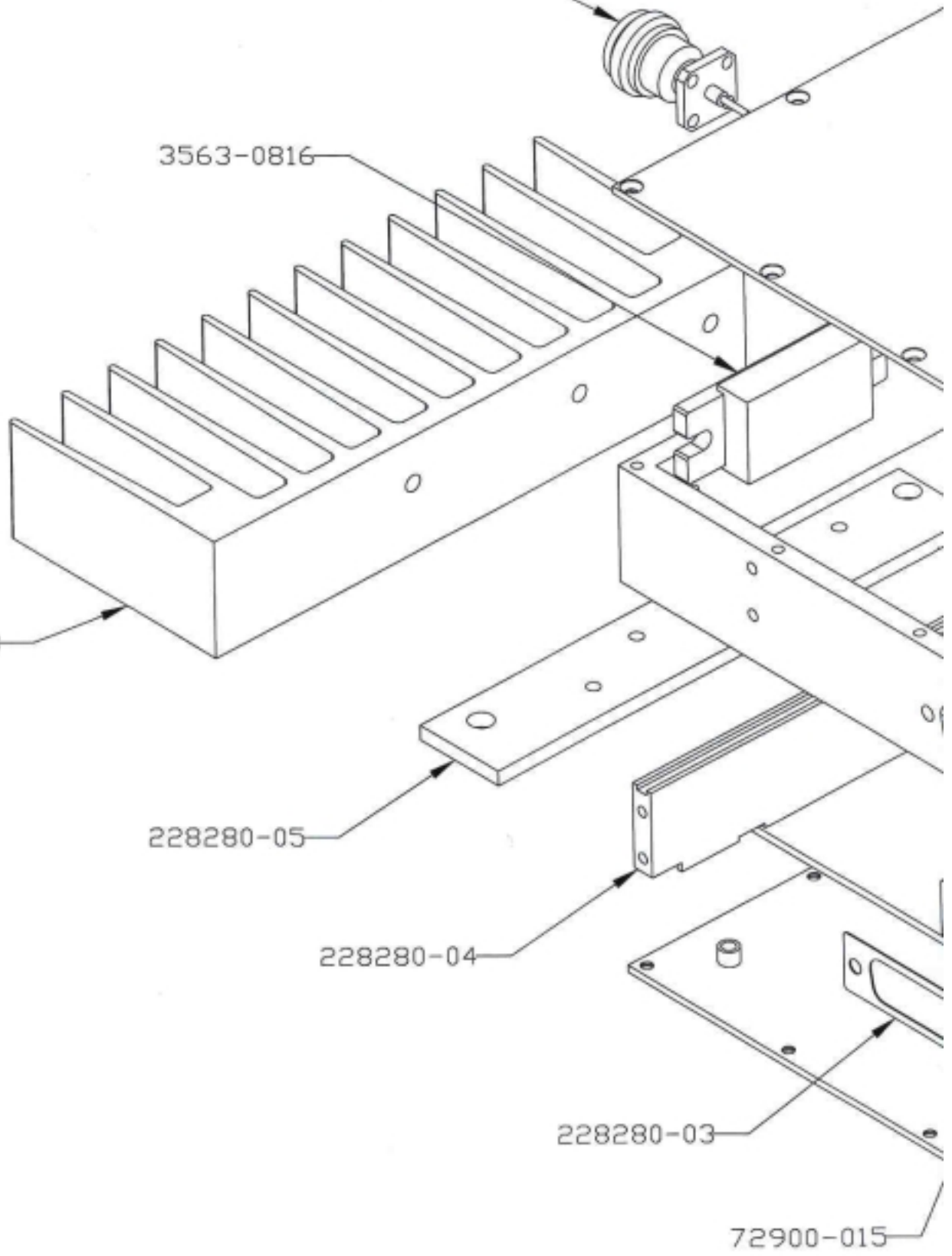
228280-05

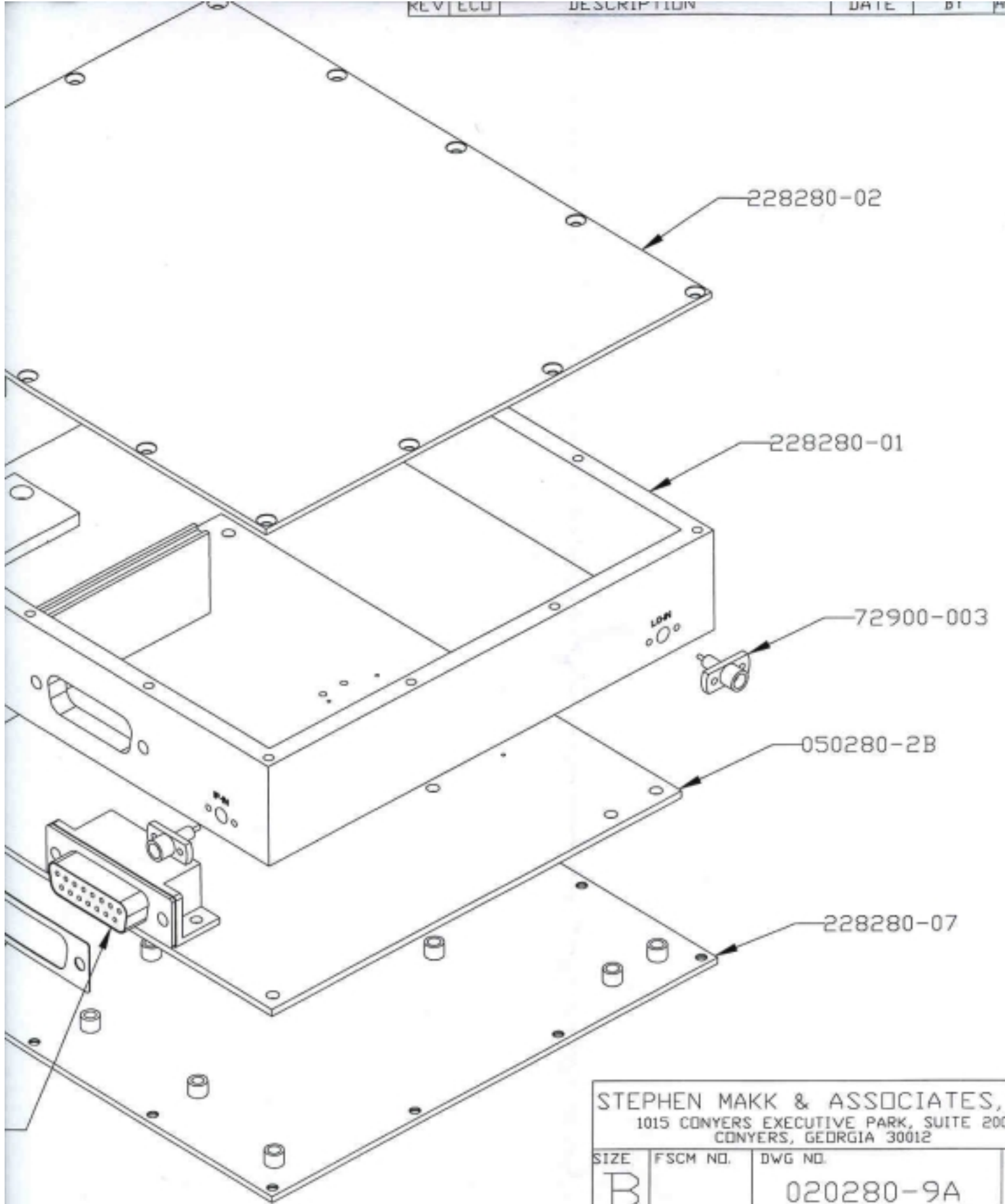
228280-04

228280-03

72900-015

DATE: 25-Aug-98
DWG NAME: 020280-9A





STEPHEN MAKK & ASSOCIATES,
 1015 CONYERS EXECUTIVE PARK, SUITE 200
 CONYERS, GEORGIA 30012

SIZE	FSCM NO.	DWG NO.	R
B		020280-9A	
SCALE			SHEET 2 OF

8.4 Control Unit

8.4.1 Schematic 050282-9C

