

8.3.1 Schematic 050280-9C (3 Sheets)

6

5

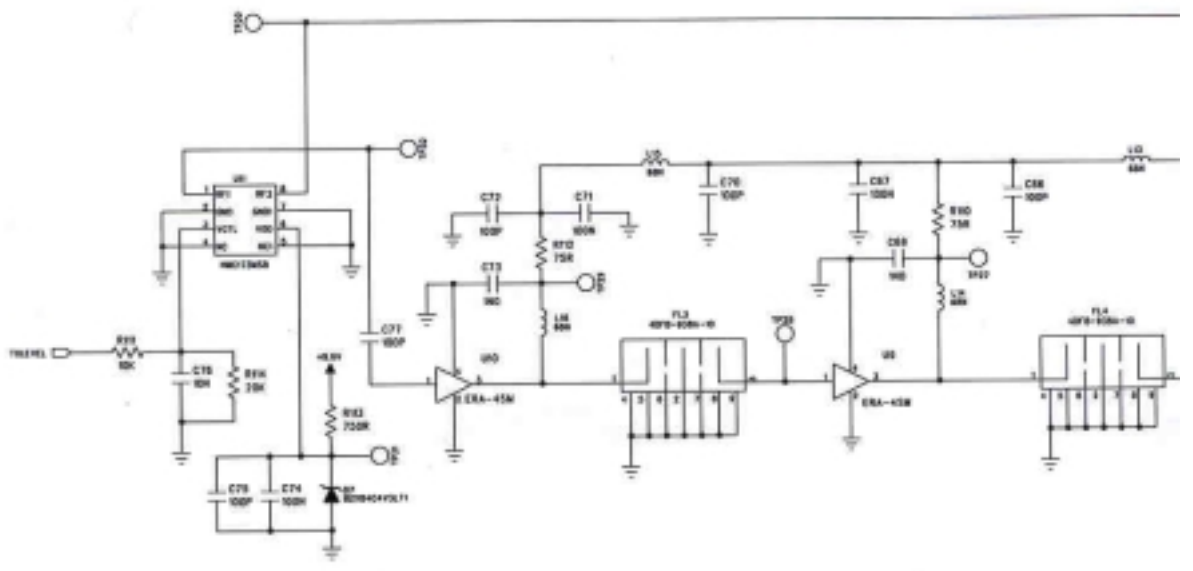
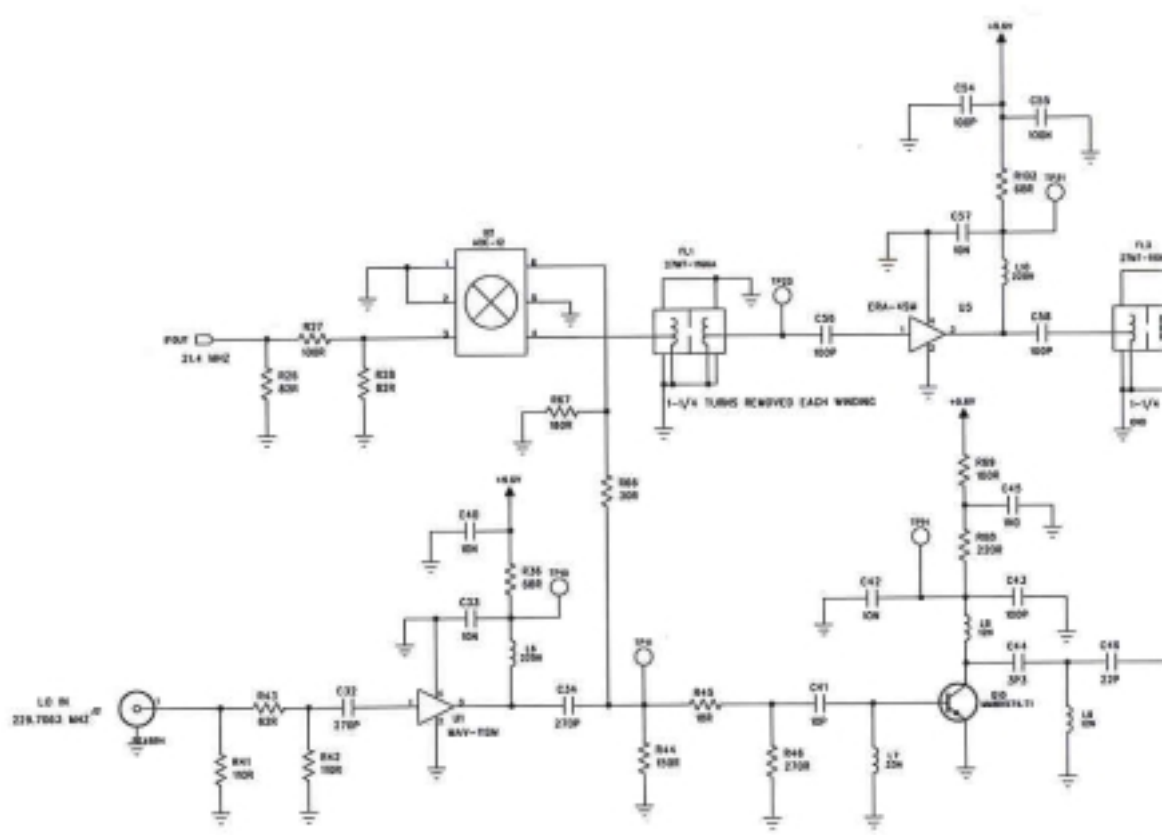
4

D

C

B

A

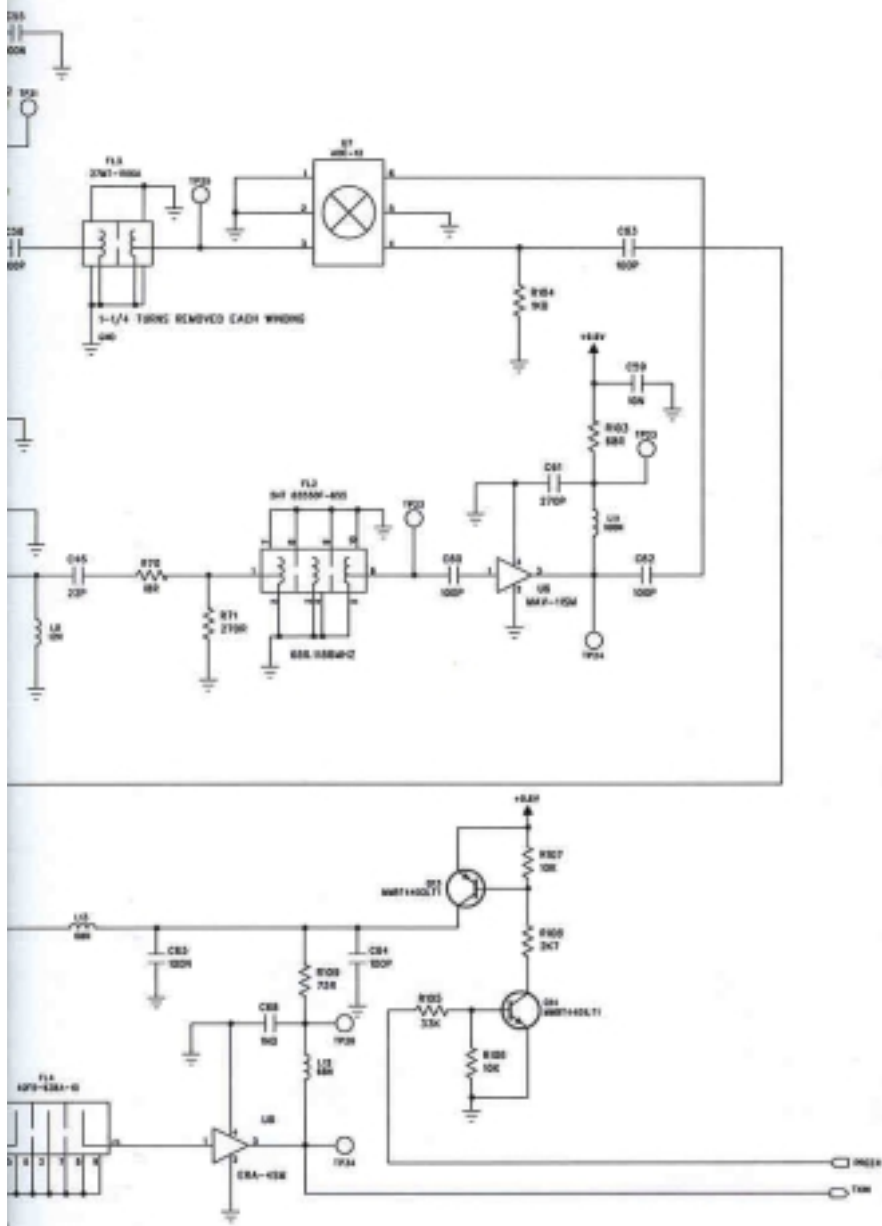


6

5

4

REVISION RECORD						
REV	CDR NO	DESCRIPTION	BY	CHK	DATE	
C	004-B	10000000	ADD	B	0-1-68	



UP CONVERTER

RESTRICTION NOTICE				KAVAL TELECOM			
THIS DRAWING/DOCUMENT CONTAINS INFORMATION WHICH IS PROPRIETARY TO AND IS THE PROPERTY OF KAVAL TELECOM AND MAY NOT BE REPRODUCED OR DISCLOSED IN ANY MANNER WITHOUT EXPRESS WRITTEN PERMISSION FROM KAVAL TELECOM				TYPE: MULTICARRIER SKYTEL OFR IF/XMTR SCHEMATIC DIAGRAM			
DRAWN:	AL SCALES:	DATED:	8-3-68	CODE:	DES:	DRAWING NO:	REV:
CHECKED:		DATED:		SC	D	050280-9C	0
RELEASED:		DATED:					SHEET: 1 OF 3

6

5

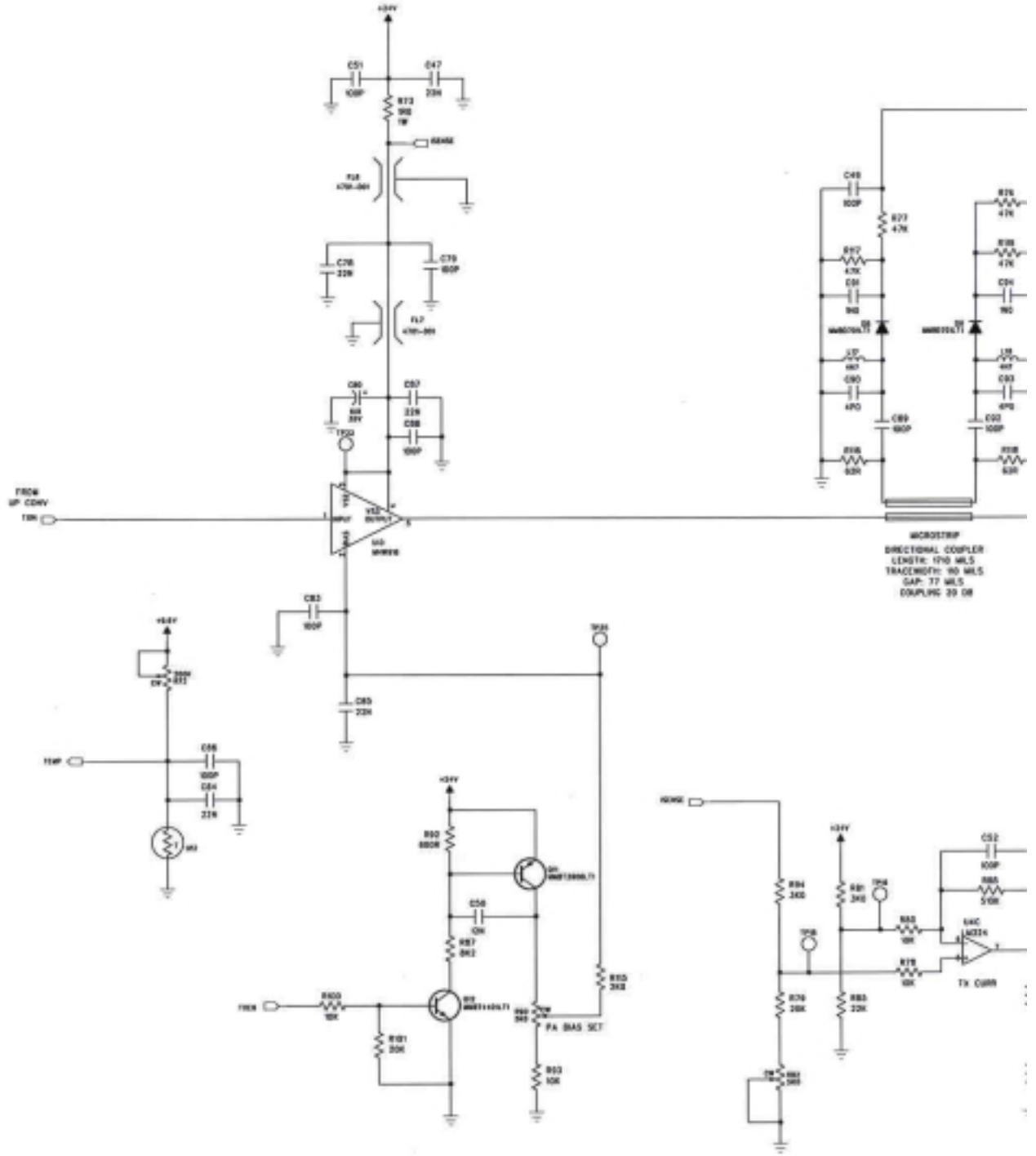
4

D

C

B

A

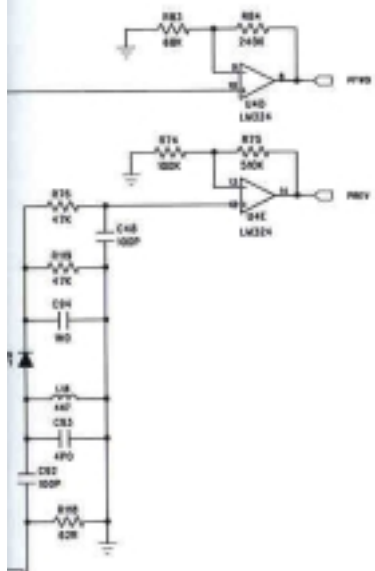


3

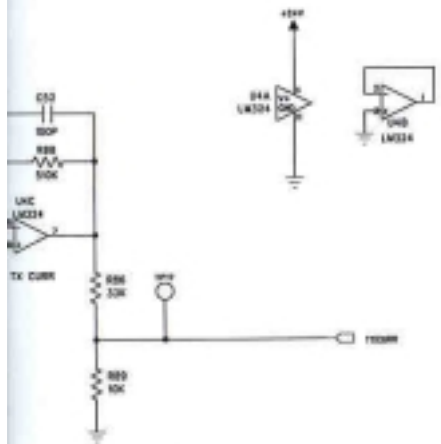
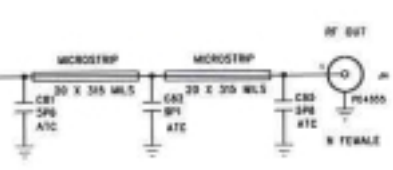
2

1

REVISION RECORD					
REV	CDR NO	DESCRIPTION	BY	CHK	DATE
C	128-8	REVISED	AMC	G	12-15-88



JPL01
WLS
WLS
S
S



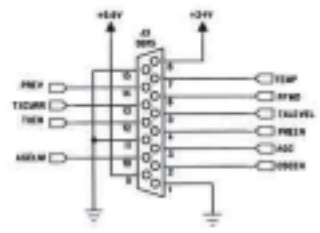
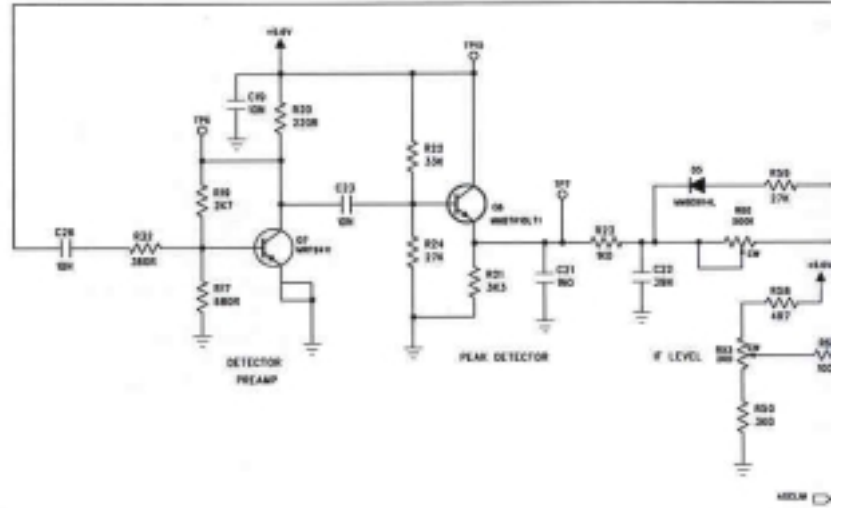
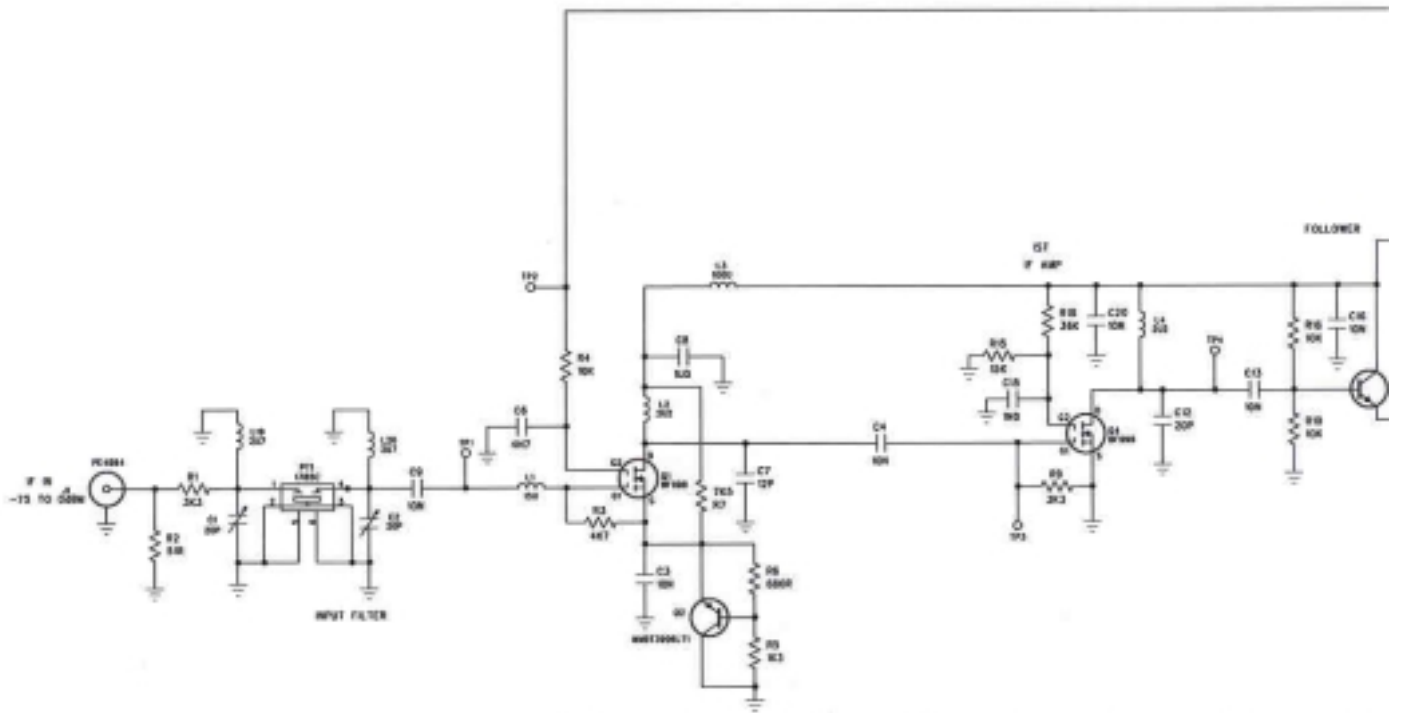
POWER AMPLIFIER

RESTRICTION NOTICE <small>THIS DRAWING/DOCUMENT CONTAINS INFORMATION WHICH IS PROPRIETARY TO AND IS THE PROPERTY OF KAVAI TELECOM AND NOT TO BE REPRODUCED OR DISCLOSED IN ANY MANNER WITHOUT EXPRESS WRITTEN PERMISSION FROM KAVAI TELECOM</small>		KAVAI TELECOM			
<small>DATE: 8-3-88</small>		TITLE: MULTICARRIER SKYTEL OFR IF/XMTR SCHEMATIC DIAGRAM			
<small>DRAWN:</small> AL SCALLES	<small>DATE:</small> 8-3-88	<small>CHKD:</small> SC	<small>DES:</small> D	<small>DRAWING NO:</small> 050280-9C	<small>REV:</small> 0
<small>DESIGNED:</small>	<small>DATE:</small>	<small>SHEET: 2 OF 3</small>			

3

2

1



6 5 4

D

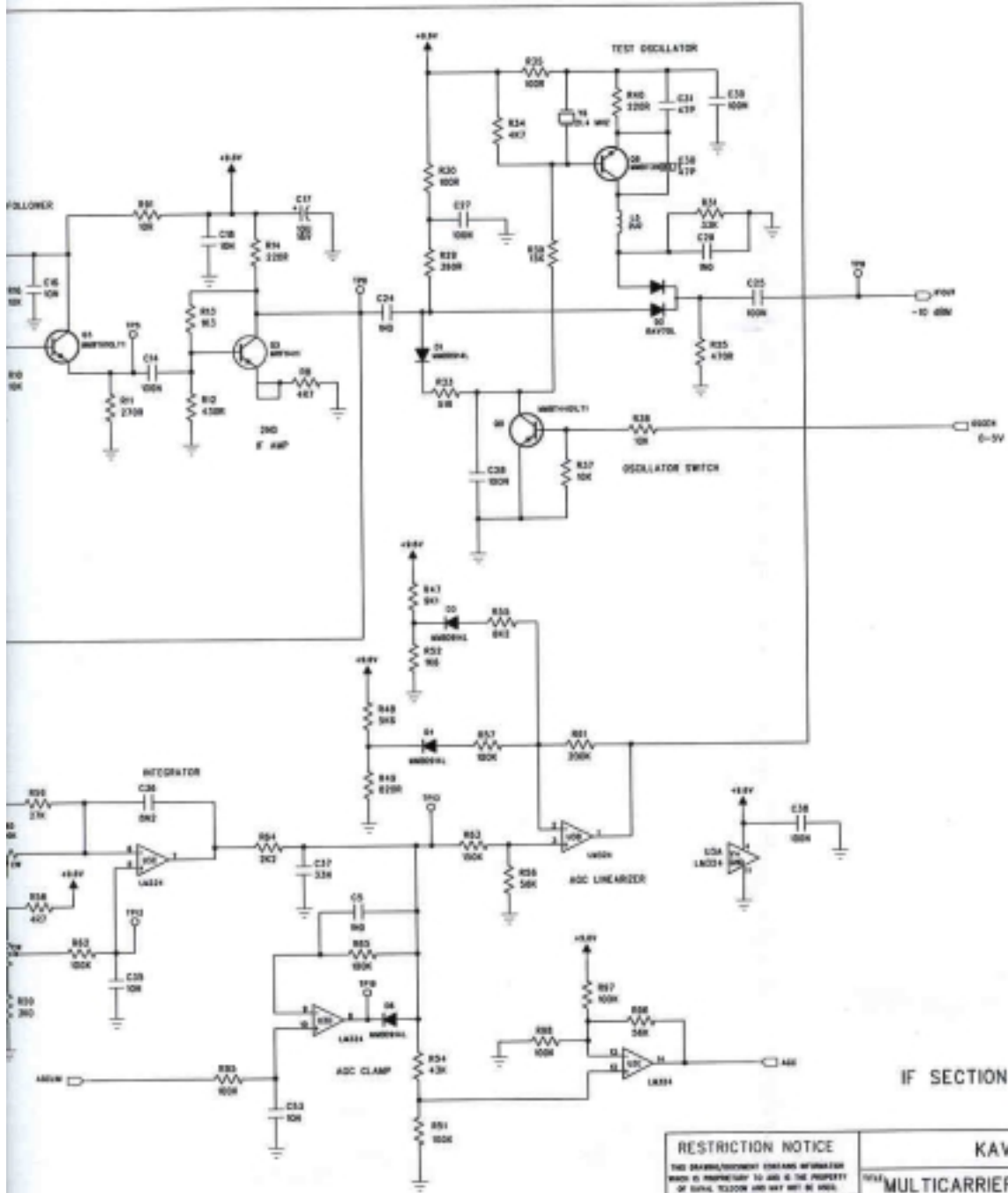
C

B

A

6 5 4

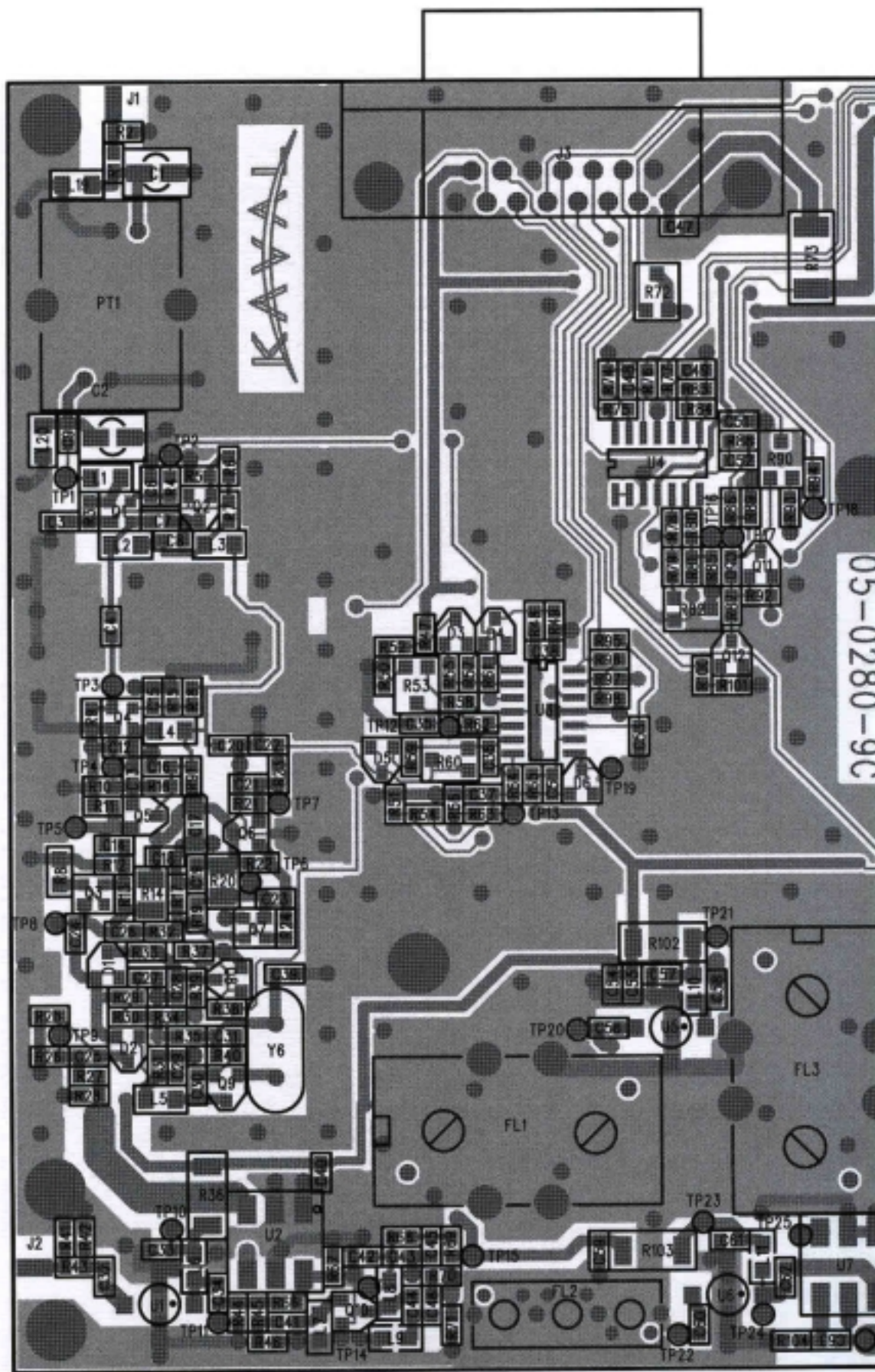
REVISION RECORD					
REV	LEN NO	DESCRIPTION	BY	CHK	DATE
1	100-0	100-0000	405	0	10-10-68



IF SECTION

RESTRICTION NOTICE THIS DRAWING/DOCUMENT CONTAINS INFORMATION WHICH IS PROPRIETARY TO AND IS THE PROPERTY OF KAVAL TELECOM AND MAY NOT BE REPRODUCED OR DISCLOSED IN ANY MANNER WITHOUT EXPRESS WRITTEN PERMISSION FROM KAVAL TELECOM		KAVAL TELECOM			
		MULTICARRIER SKYTEL OFR IF/XMTR SCHEMATIC DIAGRAM			
DRAWN: AL SCALES CHECKED: RELEASED:	DATE: 8-3-88 DATE: DATE:	ORG: SC DIV: D	DRAWING NO: 050280-9C	REV: 0	SHEET: 3 OF 3

8.3.2 Component layout (By Reference) 050280-9A-S1

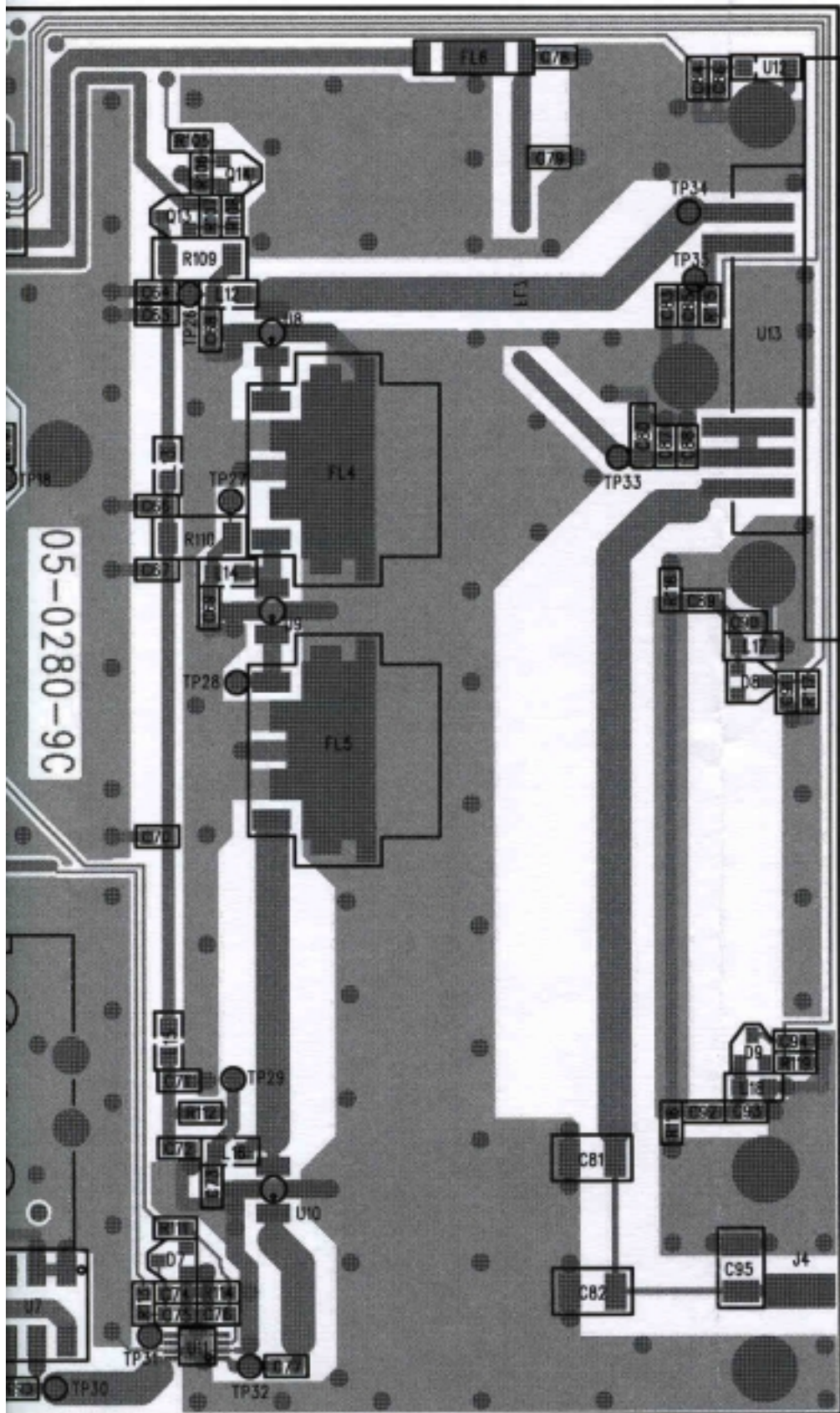


KAWA

H

05-0280-9C





05-0280-9C

REVISION RECORD		
REV	ECO NO.	DATE APP

-F1 TOP FOIL	

0502809C
020580aC