

LINKnet™

OFR400 RF MODULES

USER MANUAL

**INSTALLATION, OPERATION
AND MAINTENANCE**

KAVAL TELECOM INC.
60 Gough Road
Markham, Ontario
L3R 8X7
Telephone: (888) 86-KAVAL
Web: www.kaval.com
E-mail: info@kaval.com

PROPRIETARY STATEMENT

© 2000 KAVAI TELECOM INC. All rights reserved.

No part of this publication, or any software included with it may be reproduced, stored in a retrieval system, or transmitted in any form or by any means, including photocopying, electronic, mechanical, recording or otherwise, without the prior written permission of the copyright holder.

This document contains proprietary information of KAVAI TELECOM INC. The contents are confidential and any disclosure to persons other than the officers, employees, agents or subcontractors of the owner or licensee of this document, without the prior written consent of KAVAI TELECOM INC., is strictly prohibited.

KAVAI TELECOM INC. provides this document as is, without any warranty of any kind either expressed or implied including, but not limited to, the implied warranties of merchantability and fitness of a particular purpose. KAVAI TELECOM INC. may make changes or improvements in the equipment, software, or specifications described in this document at any time and without notice. These changes will be incorporated in new releases of this document.

This document may contain technical inaccuracies or typographical errors. KAVAI TELECOM INC. waives responsibility for any labour, materials, or costs incurred by any person or party as a result of using this document. KAVAI TELECOM INC., and any of its affiliates shall not be liable for any damages (including, but not limited to, consequential, indirect or incidental, special damages or loss of profits or date) even if they were foreseeable and KAVAI TELECOM INC. has been informed of their potential occurrence, arising out of or in connection with this document or its use.

REVISION RECORD

Rev. №	Page №	Description of Revision	Date
0	All	Original Release	Apr.6,2000

TRADE MARK NOTICE

This manual makes reference to trademarks that are the property of other companies. References are used only to refer to the products or services of the trademark owners.

LINKnet™ is a trademark of KAVAL TELECOM INC.

TABLE OF CONTENTS

<p>1. OFR400 MODULES..... 4</p> <p>OVERVIEW 4</p> <p style="padding-left: 20px;"><i>Theory Of Operation</i>..... 4</p> <p>MODELS..... 4</p> <p>BLOCK DIAGRAM..... 5</p> <p style="padding-left: 20px;"><i>OFR400 RF Module</i> 5</p> <p>MODULE SPECIFICATIONS 6</p> <p>OPERATION 7</p> <p style="padding-left: 20px;"><i>Software Set-up</i>..... 7</p>	<p style="padding-left: 40px;"><i>Power On Self Test (POST)</i> 8</p> <p style="padding-left: 40px;"><i>Normal Operation</i> 9</p> <p style="padding-left: 40px;"><i>OFR Drawing (Sides and Top)</i> 10</p> <p>ANTENNA INSTALLATION..... 11</p>
--	---

1. OFR400 MODULES

Overview Theory Of Operation

An OFR, or On Frequency Repeater, is a radio repeater that simultaneously receives and transmits a single narrow band radio channel on exactly the same frequency.

The OFR accomplishes its repeater function without store and forward circuitry, or expensive conventional simulcasting techniques. The fact that the same frequency is retransmitted by an OFR means that additional frequency allocations are not required in situations where an existing radio coverage pattern needs to be extended. The most common OFR applications are the extension of above ground signals into buildings, tunnels, vehicles or the extension of radio coverage patterns into outdoor shaded areas such as deep valleys.

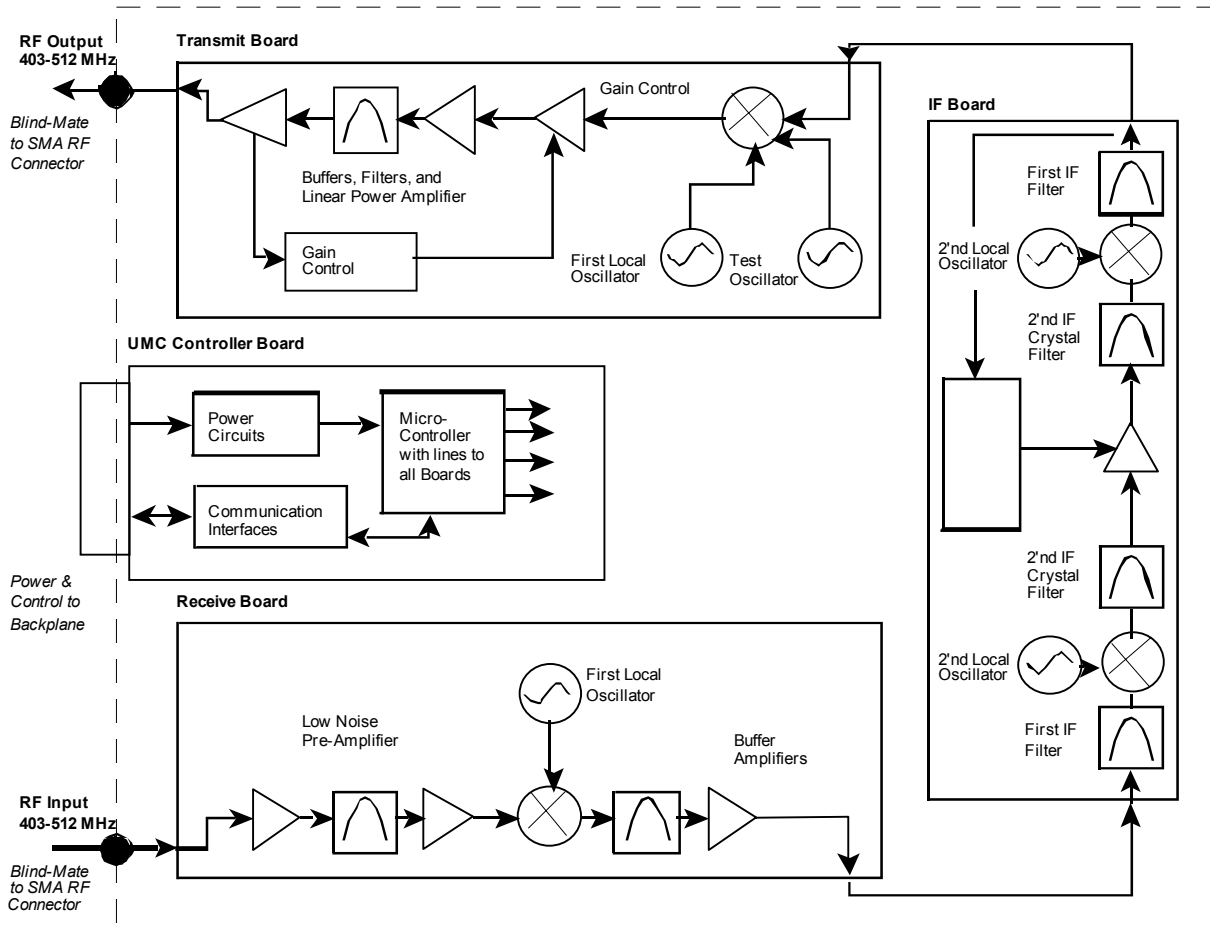
From an applications standpoint, an OFR is very similar to a regular two-way radio repeater. On Frequency Radio Repeaters can be combined using regular two-way radio multicoupling or duplexing equipment and have input and output signal characteristics to those of regular transmitters and receivers. The one special consideration in OFR systems is that of input to output antenna isolation. This must be carefully engineered for each installation.

Standard On Frequency Radio Repeaters are designed for indoor use only and are intended for mounting in a standard EIA 19 inch rack. Modular design of OFR circuitry allows for easy servicing, stocking of spares, adaptability and upgrade ability.

Models

OFR400 MODULE FAMILY		
MODEL	TYPE	FREQUENCY
OFR400-A1	25 KHz Channels	403-430 MHz (FM)
OFR400-A2	12.5 KHz Channels	403-430 MHz (FM)
OFR400-B1	25 KHz Channels	430-450 MHz (FM)
OFR400-B2	12.5 KHz Channels	430-450 MHz (FM)
OFR400-C1	25 KHz Channels	440-470 MHz (FM)
OFR400-C2	12.5 KHz Channels	440-470 MHz (FM)
OFR400-D1	25 KHz Channels	470-490 MHz (FM)
OFR400-D2	12.5 KHz Channels	470-490 MHz (FM)
OFR400-E1	25 KHz Channels	490-512 MHz (FM)
OFR400-E2	12.5 KHz Channels	490-512 MHz (FM)

Block diagram OFR400 RF Module



Module Specifications

SPECIFICATION	
Frequency Bands	403-512 MHz in 5 Bands
Channel Spacing	25 or 12.5 KHz
Modulation Types	Narrowband FM
RF Frequency Stability	Tracks Input Signal Exactly
Adjacent Channel Selectivity	60 dB Minimum
Max. RF Output Power	37 dBm
RF Output Power Range	Power can be reduced 20 dB in 1 dB Steps (AGC Controlled)
RF Output Power Variation vs. Input (over -90 to -30 dBm)	0 TO +1 dB
Input Dynamic Range	-110 to -30 dBm
Input Sensitivity Adjust Range	-110 to -30 dBm
Input Hysteresis	1 to 10 dB
Transmit Duty Cycle	Continuous
Transmit Spurious Output	-13 dBm max
Receive Conducted Spurious Output	-57 dBm Max
Maximum Gain	140 dB
Audio Distortion & Noise (Narrowband FM)	<3% Increase
Transmit Key-Up Time	< 2 mS
Transmit Key-Down Time	< 1 mS
Group Delay	<120 uS
Input / Output Connectors	SMA Connectors on back of Card-Cage
Input / Output Impedance	50 Ohms
Module Power Supply Requirements	+12V & +28V from Card-Cage Power Supply
Module Power Consumption	45 W Maximum
Connections to Card-cage	Edge Connector for Power and Data and Two Blind-Mate RF Connectors
Front Panel Indicators	Operating, Stand by, Fault, Program Mode, Receive, Transmit
Module Interconnections (via Card-Cage)	DB-15 Connector on back of Card-Cage provides per-Module Fault Relay, Interconnect to other Modules, & RS-232 connection to a PC.
Configuration Options	RF Modules may be configured either via the optional Controller Module, or via a PC and an RS-232 Connection via the Card-Cage.

SPECIFICATION	
Size	9.11" High, 2.00" Wide, 14.00" Deep
Weight	10 lbs, 4.5 kg Max

Operation Software Set-up

The OFR400 module is shipped pre-configured with the following factory set options:

OPTION	RANGE OF VALUES	DEFAULT VALUE
Frequency	403 – 512 MHz (As per Model)	Order Specific
Receive Threshold	–110 to -50 dB	-89 dB
Receive Hysteresis	1 to 10 dB	2.5 dB
Hang Time	0.0 to 5.0 Seconds	2.0 Seconds
Time Out	0 to 600 Seconds Or none	300 Seconds
Module Enabled	On / Off	On
Transmit Power Level	20 to 37 dBm	Order Specific

In line with the versatility of the LINKnet™ Platform, it is possible to re-configure the OFR400 module in the field. For further information on the modification software and the PC adapter, contact KAVAL TELECOM INC. by E-mail: info@kaval.com



Default values may be changed when an order is placed. Check your order confirmation (shipped with modules) for customized values.

**Power On Self Test (POST)**

Each system module automatically performs a self-diagnostics when inserted into the system Card-cage. These tests determine that the unit is a) correctly installed in the Card-cage and b) not damaged in transit.

- All six of the LED's on the front panel will flash 3 times
- If the LED's do NOT flash three times, then remove the module, check the power source, and re-insert the module, (See Installation Instructions).
- If the card is "OK" the LED's will continue normally. (See Normal Operation)
- If there is a fault, then the Red Fault LED will remain on. If this occurs, contact your KAVAI TELECOM INC. Service Representative, (See Warranty / RMA Procedures).



The Power On Self Test is *Not* an RF test, it only verifies that there is power to the unit and that the logical circuitry is functioning.

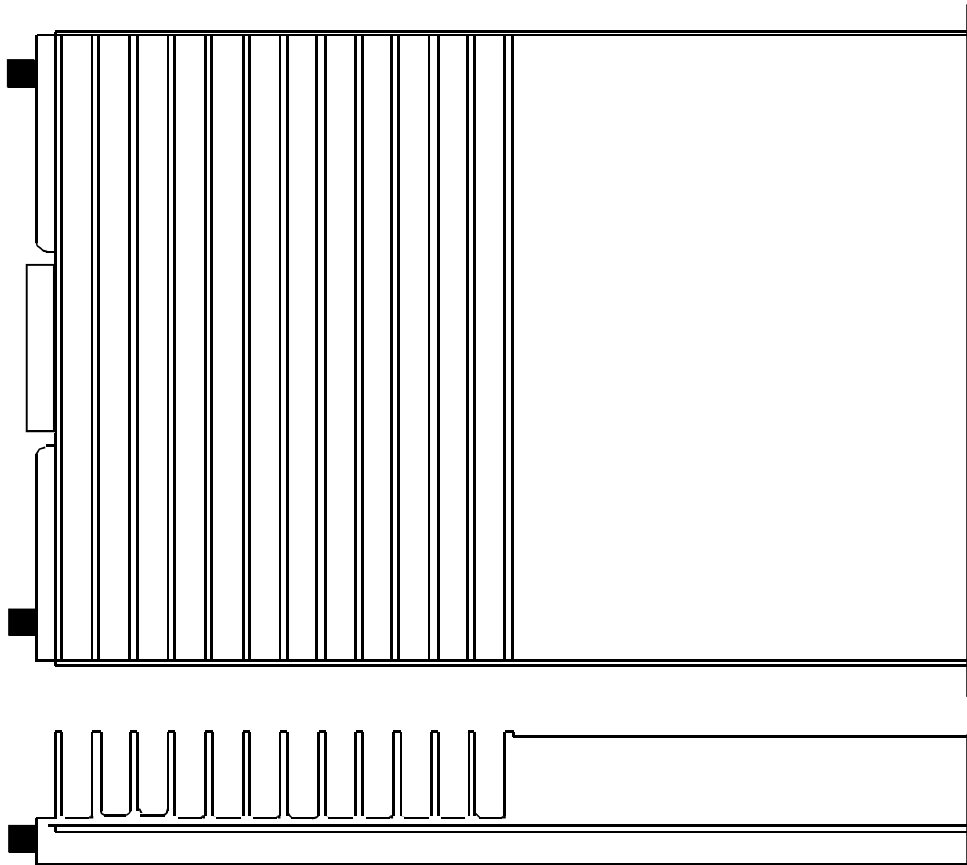
Normal Operation

The OFR400 Module has six LED's on the faceplate:



1. OPERATING - Under normal operating conditions, this LED will flash GREEN when RF Data is present.
2. STAND BY – Under the control of the Controller Module, the OFR400 Module has the ability to act as a duplex transmitter, sitting perpetually in Stand by Mode waiting for the primary transmitter to fail. This LED should be constant Amber. If a Fault should occur with the primary module, the “Stand by” unit will immediately become the primary unit, at which time the Stand by LED will be turned off and the LED’s will show an operating Module.
3. Transmit – This Green LED will be on when a signal is being transmitted
4. Receive – This Green LED will be on when a signal is being received
5. Program – This LED will be constant Amber when the unit is being re-programmed by the Controller Module. This will signify that the unit is powered on but unavailable for use.
6. FAULT – Red LED, If the internal diagnostics for the module detect a problem, then this LED will remain on

OFR Drawing (Sides and Top)
OFR400 Module



Antenna Installation

- All Antenna Installation is to be performed by Qualified Technical Personnel only.
- Antenna Installation Instructions and locations below are for the purpose of satisfying FCC RF Exposure Compliance requirements.
- The *Roof Top Antenna* for linking to the *Donor Site* is a directional (high gain) Antenna fixed-mounted physically on the side or top of a building, or on a tower. The Antenna Gain must be no more than 10 dB. The *Roof Top Antenna* location should be such that only Qualified Technical Personnel can access it, and that under normal operating conditions no other person can touch the Antenna, or approach within 10 meters of the Antenna.
- The *In-Building Antenna* connection is via a coaxial cable distribution system with Signal Taps at various points connected to the fixed-mounted *Indoor Antennae*. This is shown in the figure in the Introduction. The *Indoor Antennae* are simple 1/4 Wavelength (0 dB Gain) types. They are used with KAVAL TELECOM INC. 12, 16, or 20 dB Cable Taps. As such the maximum EIRP will be at the first Tapped Antenna, which will be 12 dB below the maximum signal level of the LINKnet™ (+37 dBm); +28 dBm, or 0.63 Watts EIRP. These Antennae are to be installed such that no person can touch the Antenna, or approach within 0.2 Meters.



**ANTENNA INSTALLATION
WARNING**

ALL ANTENNA INSTALLATION IS TO BE PERFORMED BY QUALIFIED TECHNICAL PERSONNEL ONLY.

ANTENNA INSTALLATION INSTRUCTIONS AND LOCATIONS ARE FOR THE PURPOSE OF SATISFYING FCC RF EXPOSURE COMPLIANCE REQUIREMENTS, AND ARE NOT OPTIONAL.

ALL ROOF TOP ANTENNA INSTALLATION MUST BE SUCH THAT NO PERSON CAN TOUCH THE ANTENNA, OR APPROACH CLOSER THAN 10 METERS.

ALL IN-BUILDING ANTENNAE INSTALLATIONS MUST BE SUCH THAT NO PERSON CAN TOUCH THE ANTENNAE, OR APPROACH CLOSER THAN 0.2 METERS.